



US00D760953S

(12) **United States Design Patent**
Hollinger

(10) **Patent No.:** **US D760,953 S**
(45) **Date of Patent:** **** Jul. 5, 2016**

(54) **HAIR VOLUMIZER**
(71) Applicant: **E. MISHAN & SONS, INC.**, New York, NY (US)
(72) Inventor: **Fred Hollinger**, Monroe Township, NJ (US)
(73) Assignee: **E. MISHAN & SONS, INC.**, New York, NY (US)

(**) Term: **15 Years**

(21) Appl. No.: **29/539,621**

(22) Filed: **Sep. 16, 2015**

(51) **LOC (10) Cl.** **28-03**

(52) **U.S. Cl.**
USPC **D28/35**

(58) **Field of Classification Search**
USPC D28/35, 37-38
CPC A45D 1/00-1/28; A45D 2/00-2/001;
A45D 2002/006; A45D 2002/007; A45D
2/12-2/125; A45D 2/04; A45D 2/06; A45D
4/00-4/18; A45D 6/00-6/20; A45D
20/48-20/525

See application file for complete search history.

(56) **References Cited**

U.S. PATENT DOCUMENTS

D253,973 S * 1/1980 Rosse D28/35
4,739,151 A * 4/1988 Smal A45D 1/04
132/118
6,941,955 B2 * 9/2005 Yao A45D 1/04
132/225
7,992,578 B2 8/2011 Tobias et al.
8,110,778 B2 * 2/2012 Wong A45D 1/12
132/225
8,839,802 B2 * 9/2014 Lund A45D 2/40
132/225
2005/0284494 A1 * 12/2005 Lee A45D 1/06
132/225
2011/0083695 A1 * 4/2011 Abbasi A45D 1/04
132/269

2012/0227758 A1 * 9/2012 Ford A45D 1/04
132/211
2013/0263883 A1 * 10/2013 Story A45D 1/04
132/229
2014/0034079 A1 * 2/2014 McCauley A45D 1/04
132/229
2014/0166038 A1 * 6/2014 Leung A45D 1/04
132/221
2015/0027486 A1 * 1/2015 Lund A45D 1/04
132/225
2015/0136169 A1 * 5/2015 Moore A45D 1/04
132/225

FOREIGN PATENT DOCUMENTS
WO WO 2014173554 A1 * 10/2014 A45D 1/04
* cited by examiner

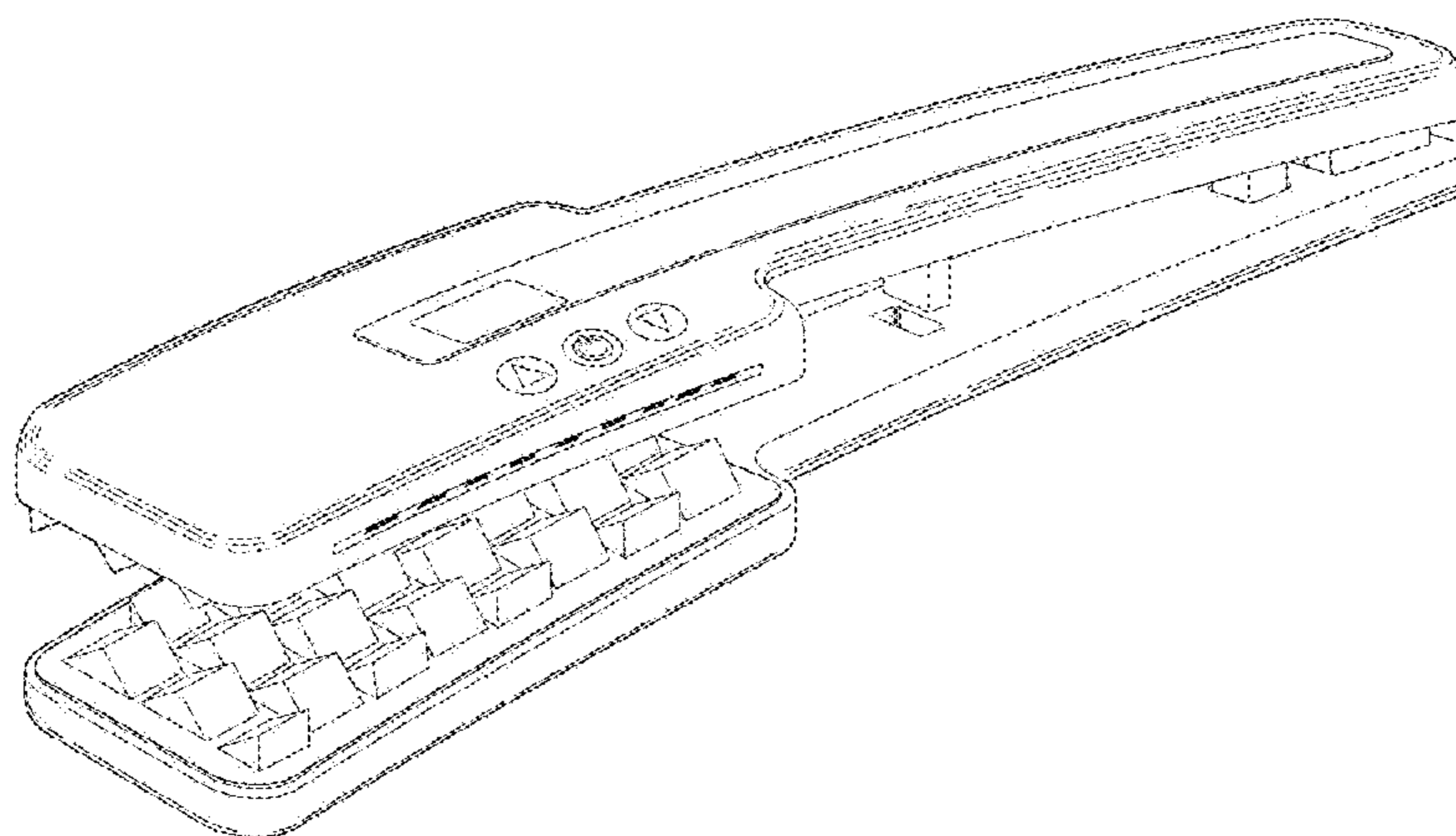
Primary Examiner — Jennifer Rivard
(74) *Attorney, Agent, or Firm* — Notaro, Michalos & Zaccaria P.C.

(57) **CLAIM**
The ornamental design for a hair volumizer, as shown and described.

DESCRIPTION

FIG. 1 is a front, side, top perspective view of a hair volumizer showing my design therefor;
FIG. 2 is a front, side, bottom perspective view thereof;
FIG. 3 is a side elevational view thereof, the opposite side view being a mirror image.
FIG. 4 is a side elevational view thereof in an open position
FIG. 5 is a front elevational view thereof;
FIG. 6 is a rear elevational view thereof;
FIG. 7 is a top plan view of the lower arm of the design with the upper arm removed to reveal the exposed surface of the lower arm; and
FIG. 8 is a bottom plan view of the design;
FIG. 9 is a front elevational view of the lower arm;
FIG. 10 is a rear elevational view of the lower arm;
FIG. 11 is a top plan view of the design;
FIG. 12 is a bottom plan view of the upper arm of design with the lower arm removed;
FIG. 13 is a front elevational view of the upper arm; and,
FIG. 14 is a rear elevational view of the upper arm.
The upper and lower arms of the design are disclosed separately for convenience of illustration.

1 Claim, 14 Drawing Sheets



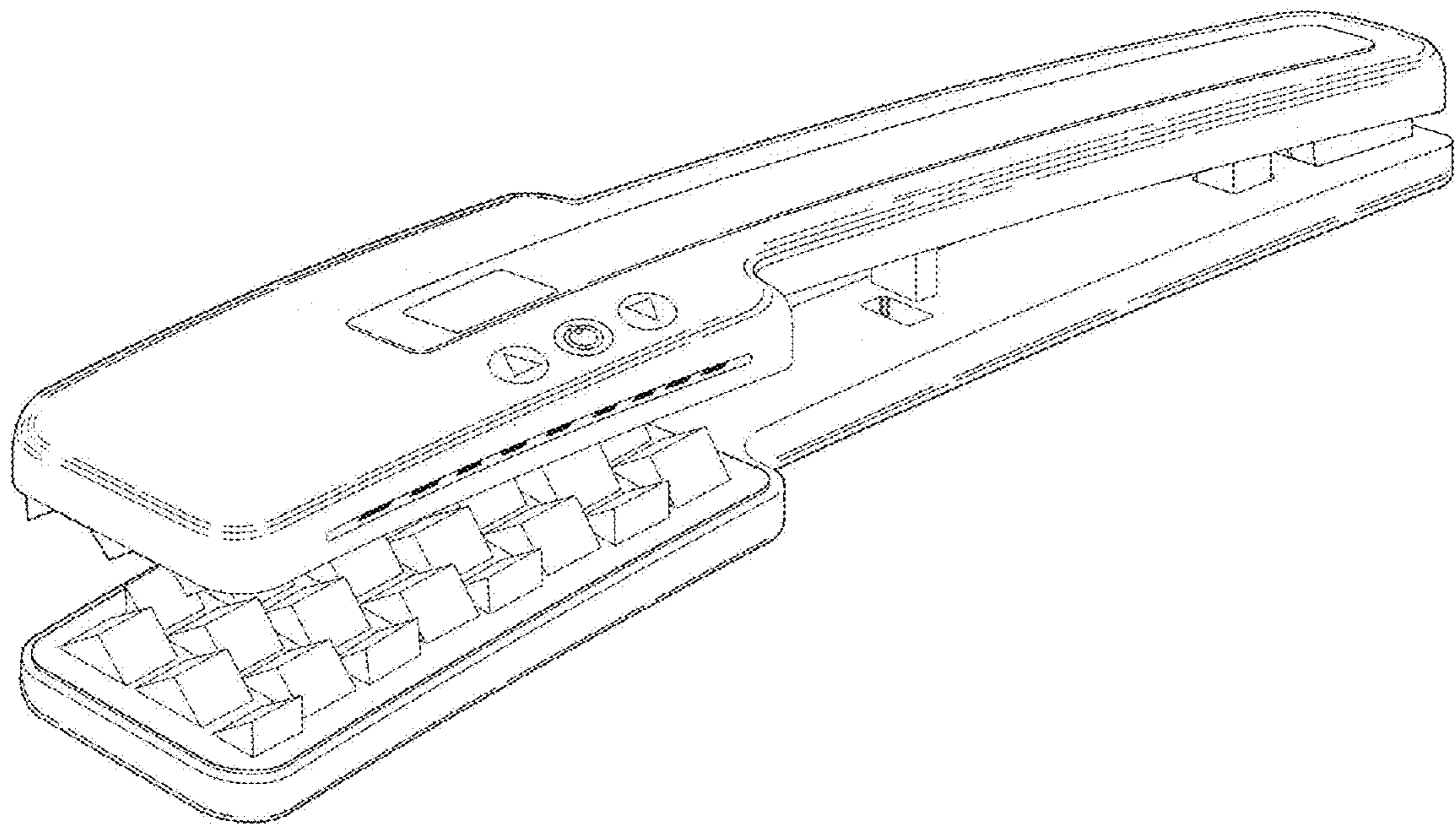


Fig. 1

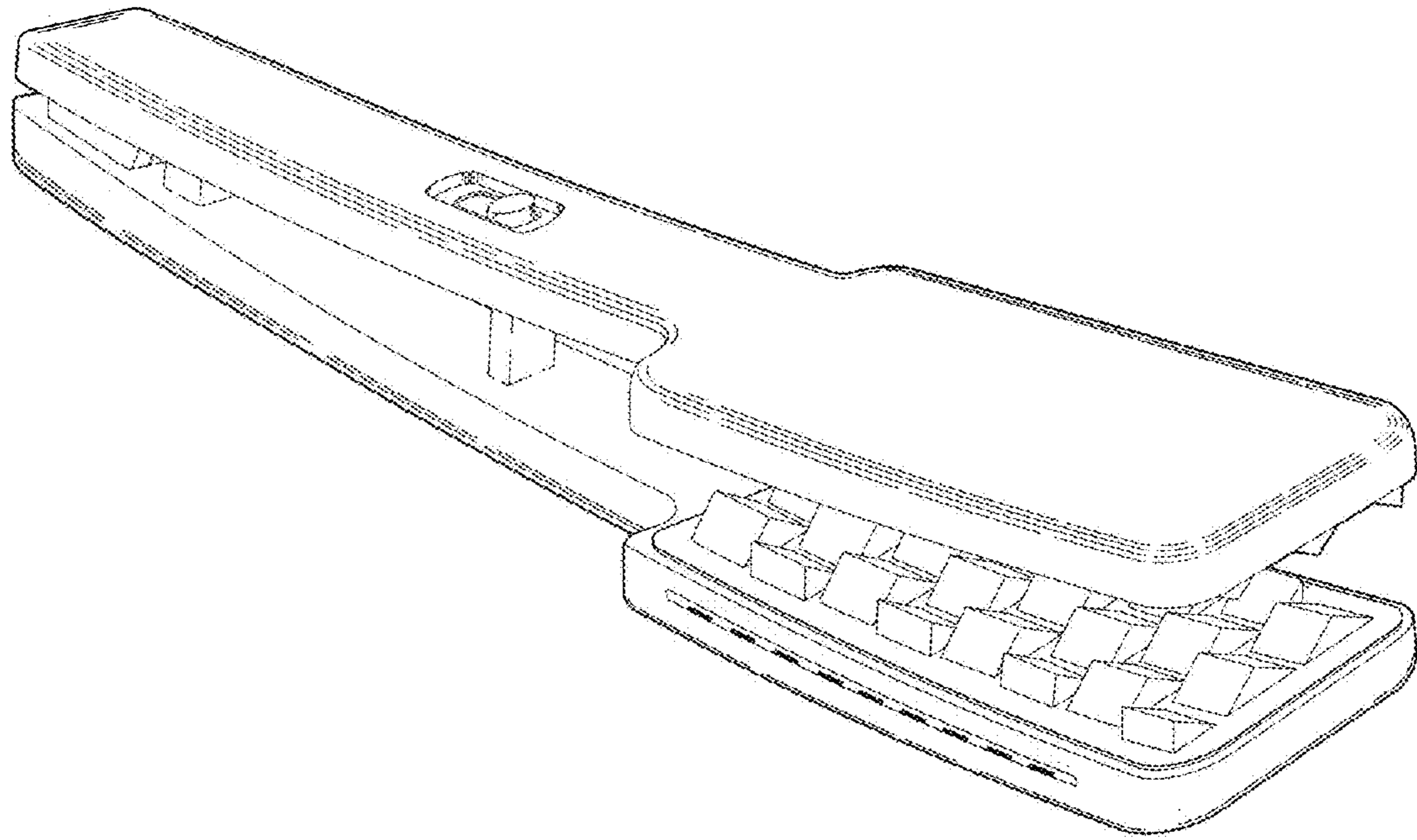


Fig. 2

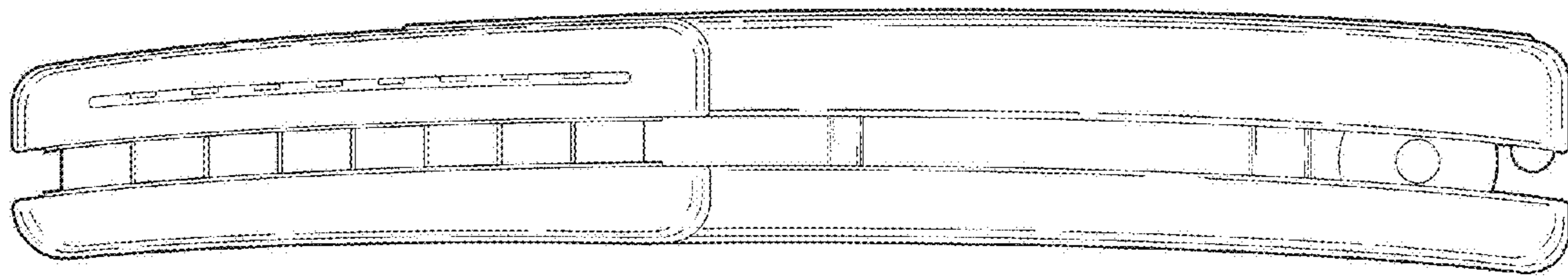


Fig. 3

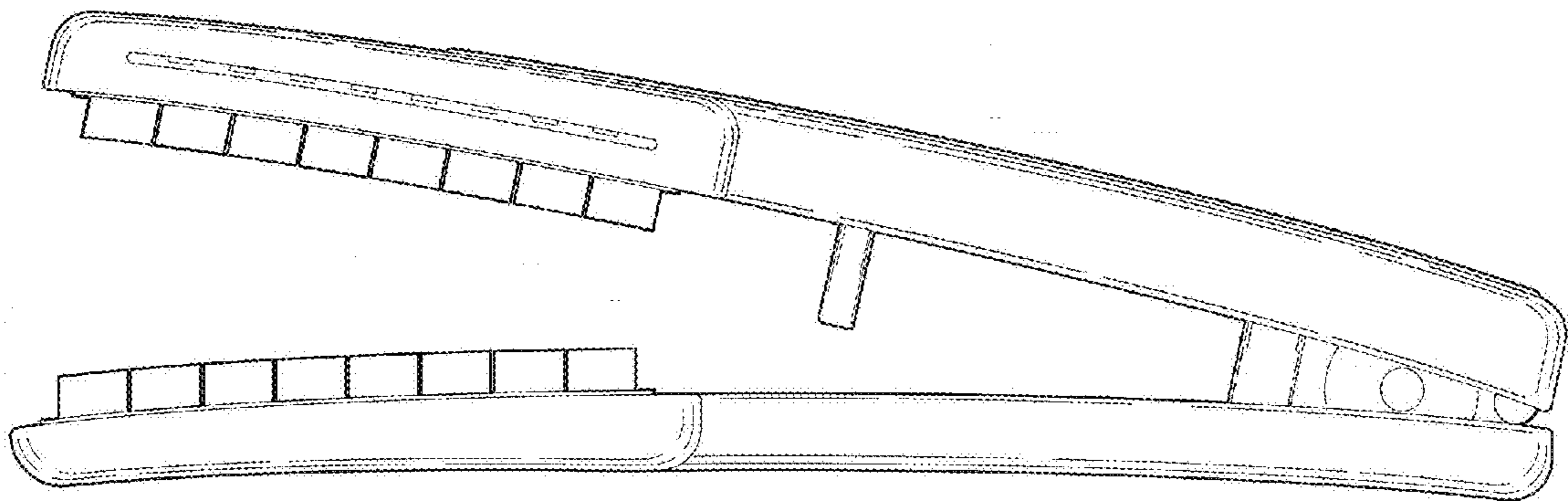


Fig. 4

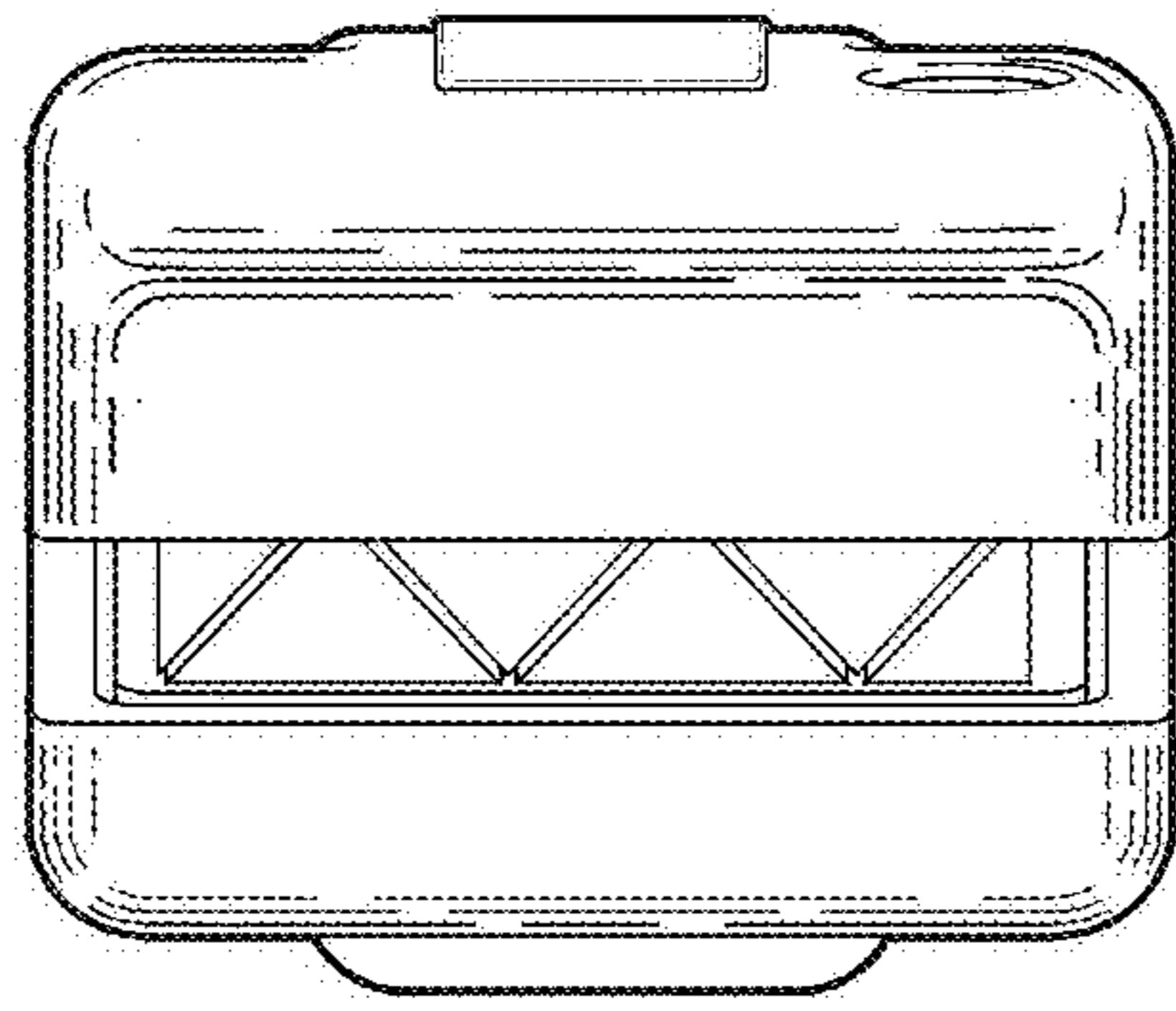


Fig. 5

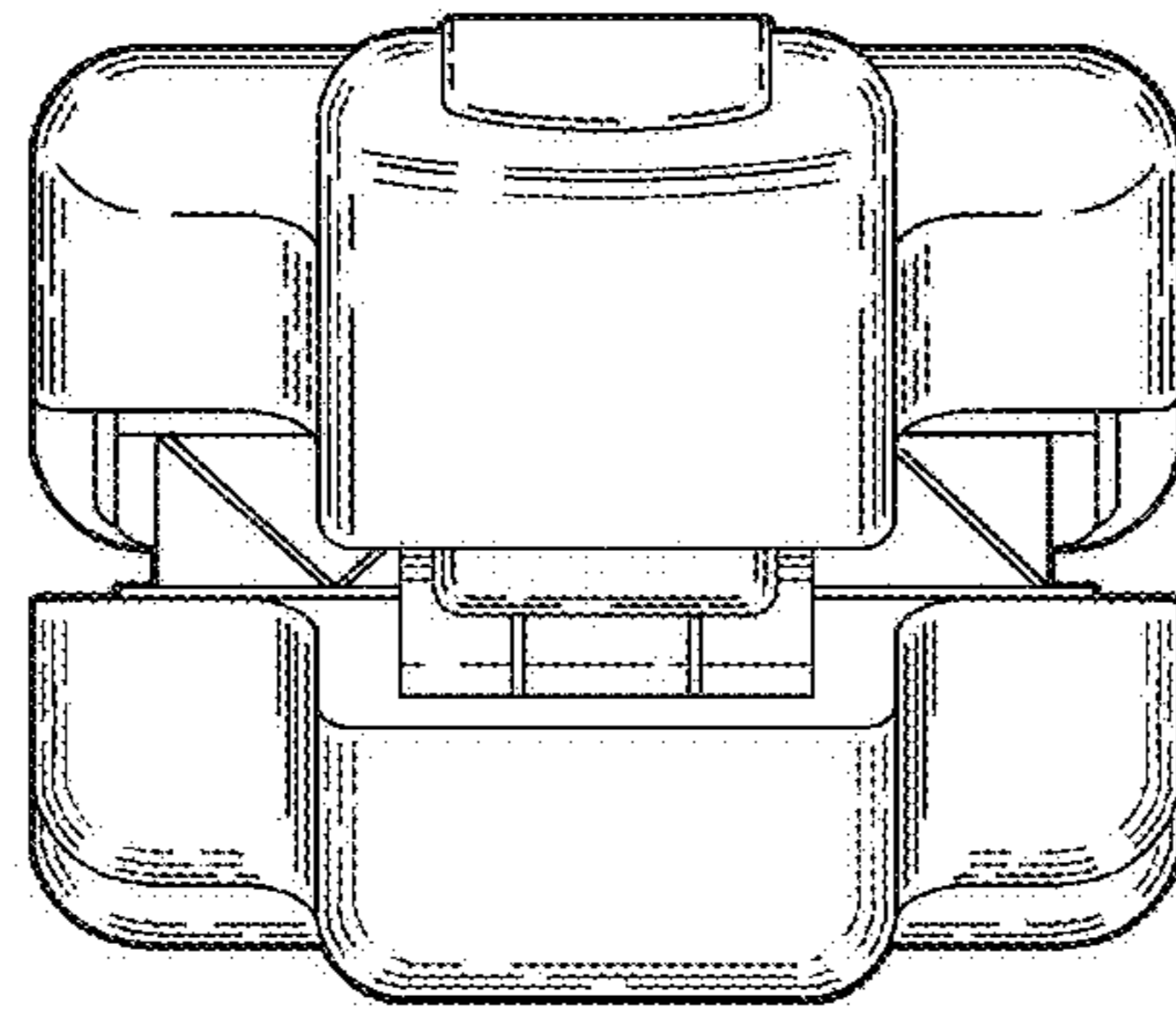


Fig. 6

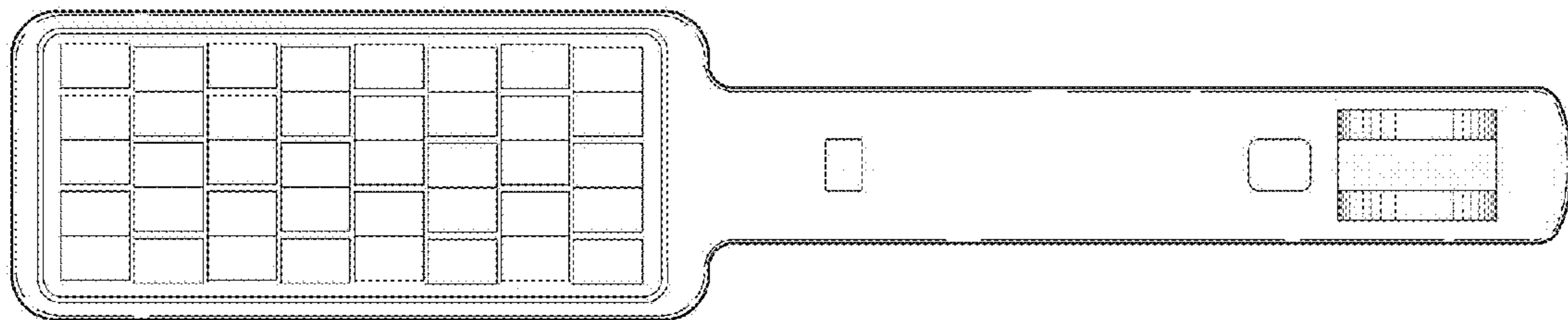


Fig. 7

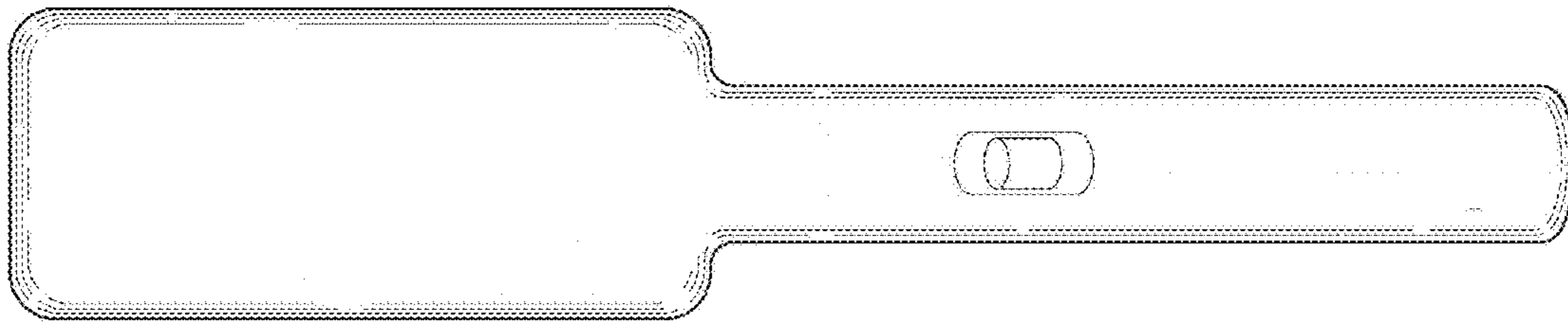


Fig. 8

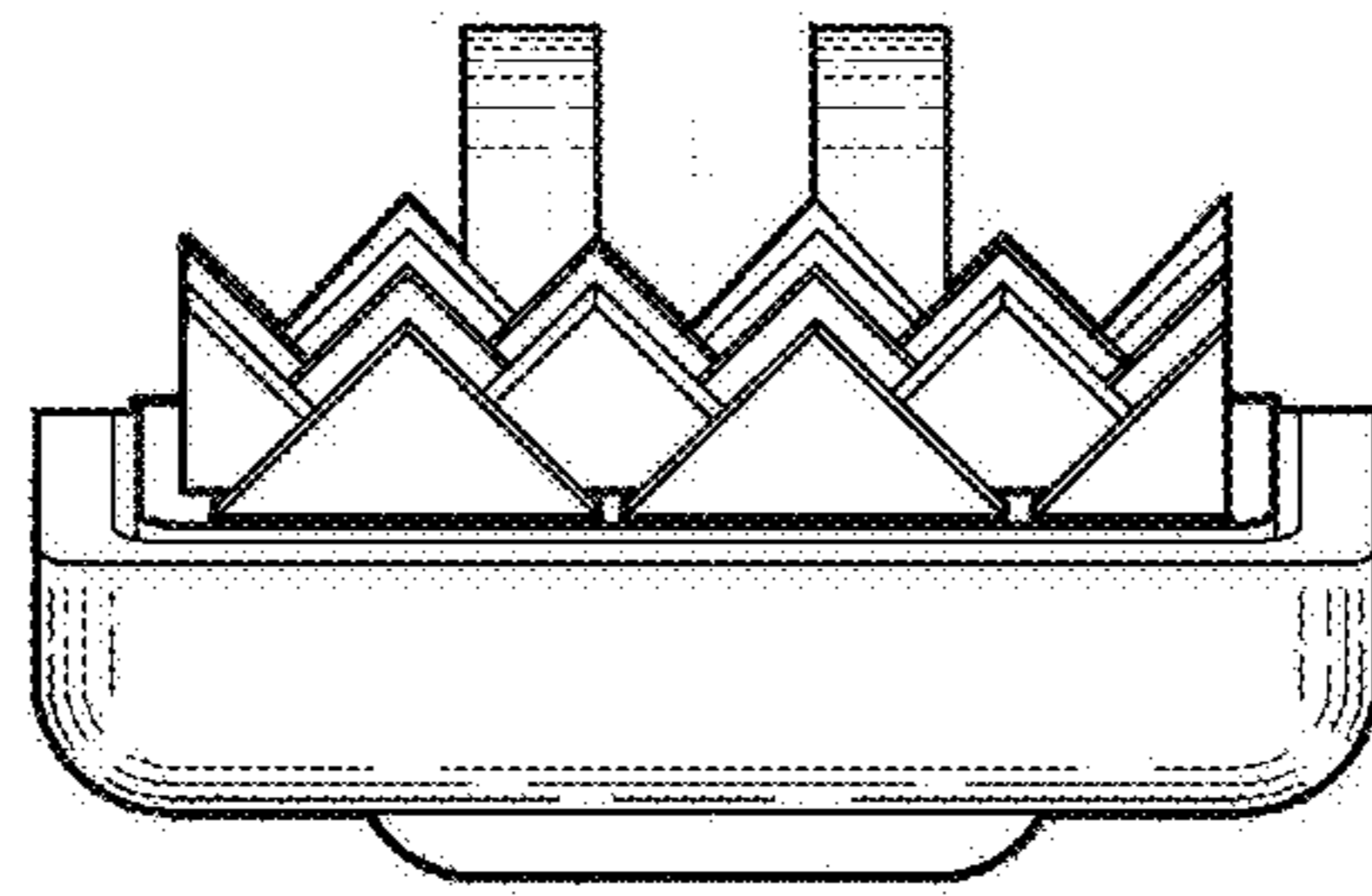


Fig. 9

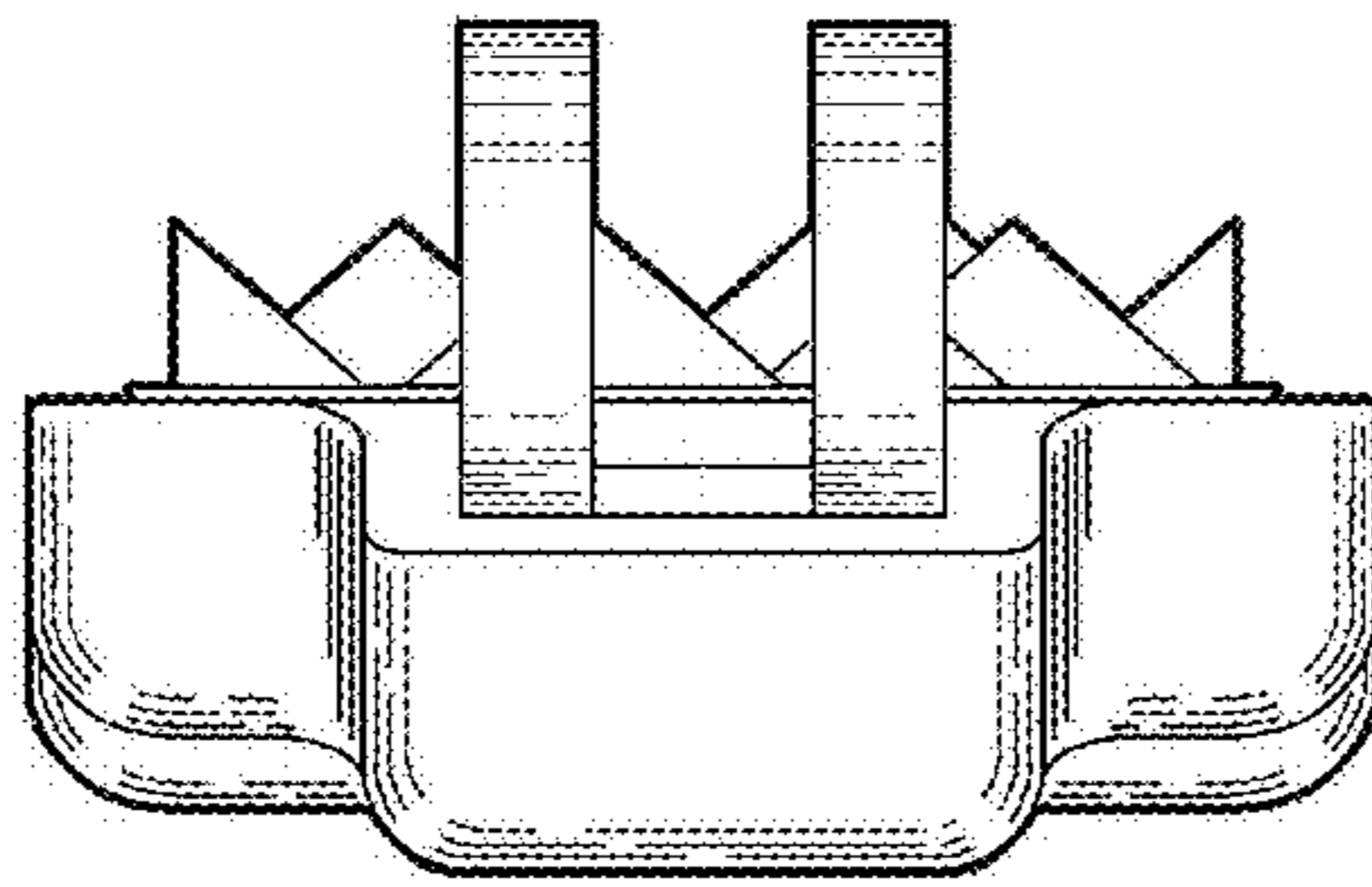


Fig. 10

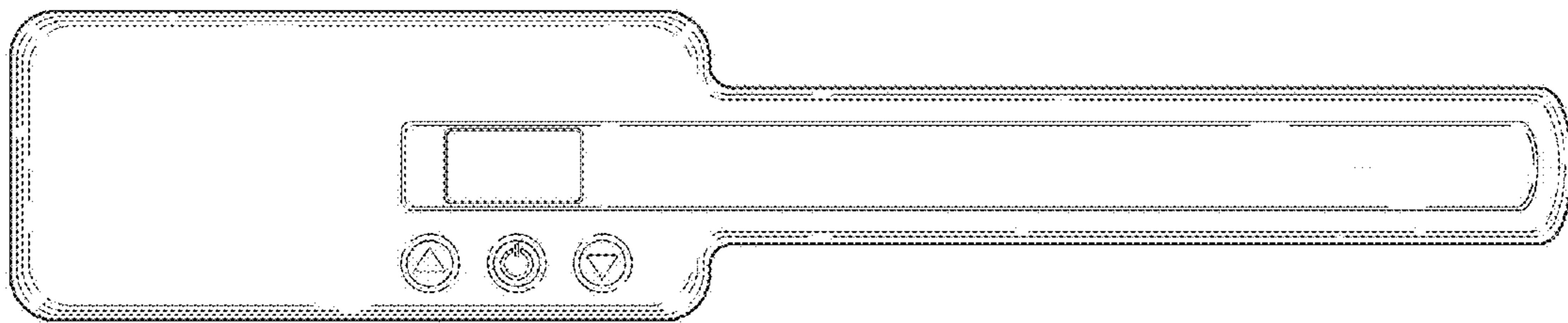


Fig. 11

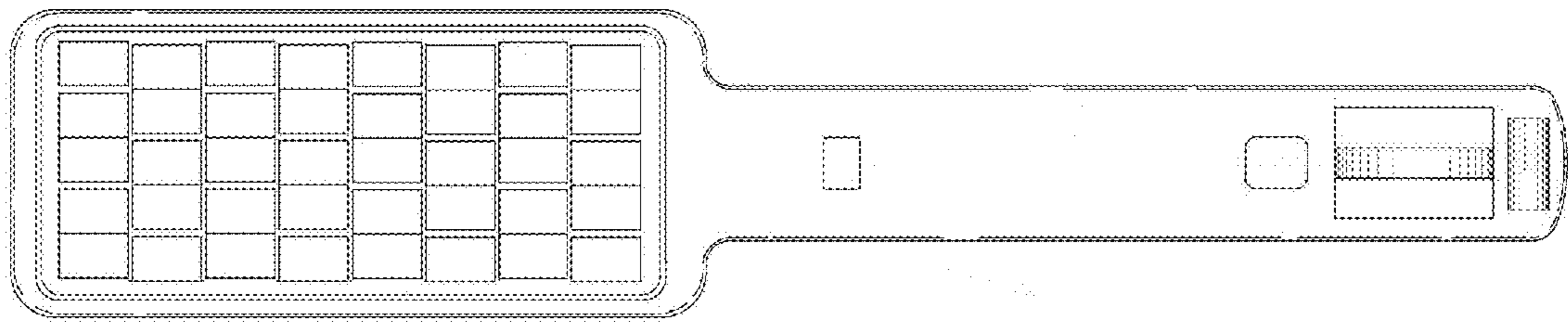


Fig. 12

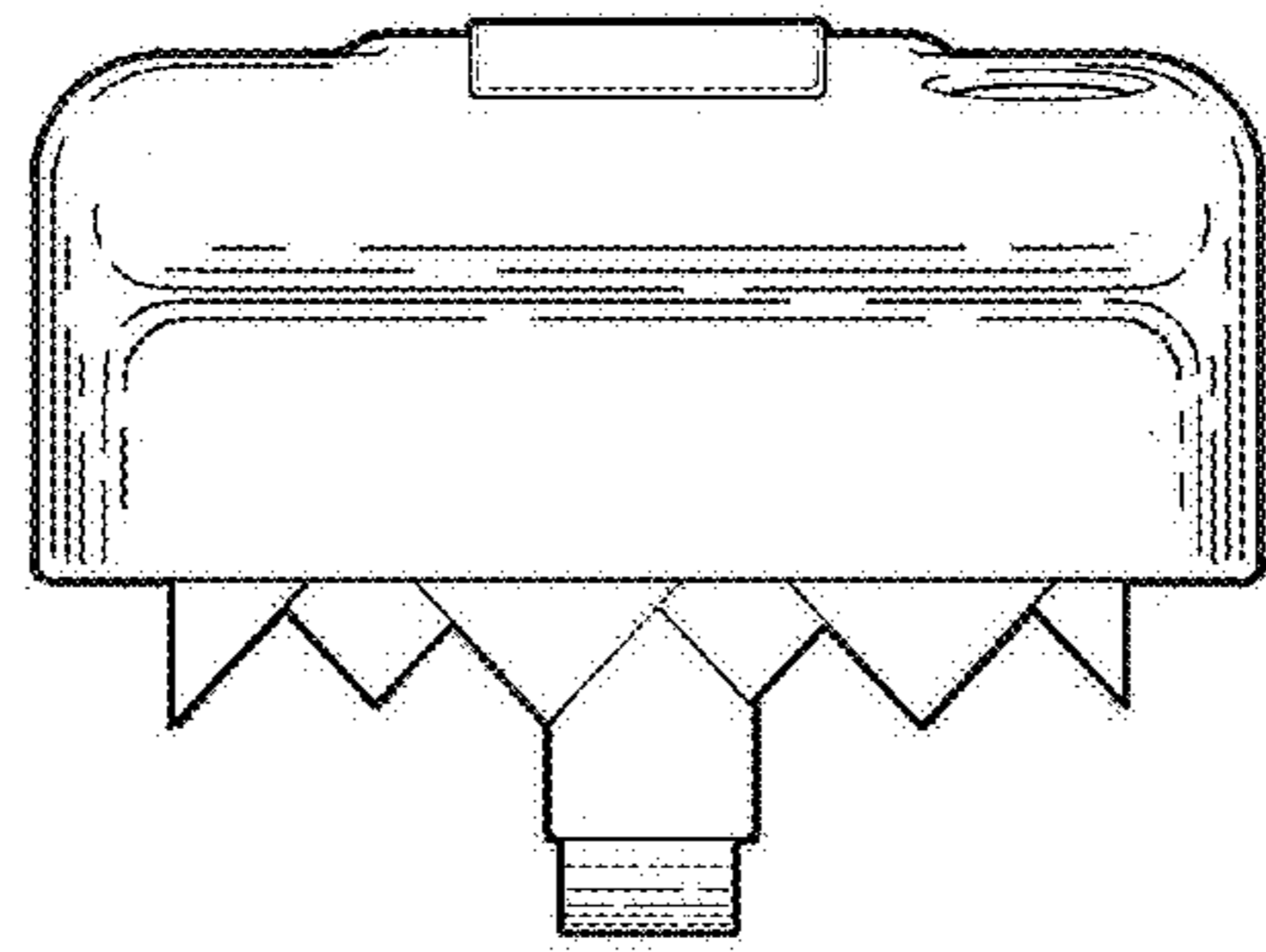


Fig. 13

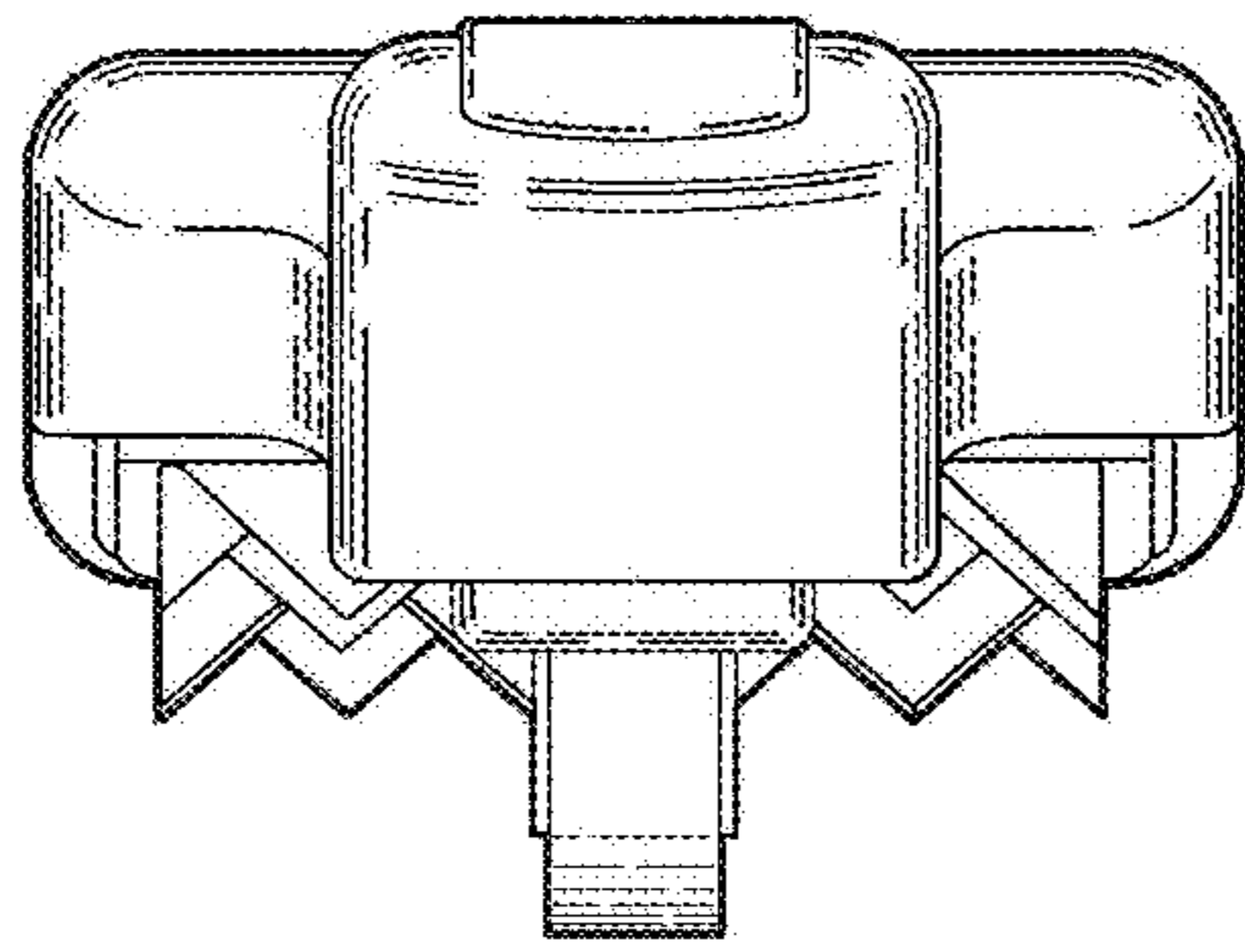


Fig. 14