



US00D760952S

(12) **United States Design Patent**
Mayor

(10) **Patent No.:** **US D760,952 S**
(45) **Date of Patent:** **** Jul. 5, 2016**

(54) **ELECTRONIC CIGARETTE TANK WITH
FILL PORT AND PLUG**

(71) Applicant: **Michael James Mayor**, Riverton, UT
(US)

(72) Inventor: **Michael James Mayor**, Riverton, UT
(US)

(**) Term: **14 Years**

(21) Appl. No.: **29/478,389**

(22) Filed: **Jan. 3, 2014**

D652,571 S *	1/2012	Shenassa	D27/163
D682,465 S *	5/2013	Yeom	D27/194
D702,876 S *	4/2014	Liu	D27/194
RE45,068 E *	8/2014	Schmidt	A61M 15/0086 128/200.23
8,869,792 B1 *	10/2014	Lee	A61N 15/06 128/202.21
D717,424 S *	11/2014	Steelman	D24/110
D747,548 S *	1/2016	Mayor	D27/167
2006/0272659 A1 *	12/2006	Kobal	A24F 13/06 131/187
2009/0217933 A1 *	9/2009	Chen	A24F 47/006 131/185
2012/0318261 A1 *	12/2012	Newhouse	A61M 15/0086 128/200.23

(Continued)

Related U.S. Application Data

(63) Continuation-in-part of application No. 14/102,459, filed on Dec. 10, 2013, and a continuation-in-part of application No. 29/476,083, filed on Dec. 10, 2013, and a continuation-in-part of application No. 29/478,122, filed on Dec. 31, 2013, and a continuation-in-part of application No. 29/478,128, filed on Dec. 31, 2013.

(51) **LOC (10) Cl.** **27-02**

(52) **U.S. Cl.**
USPC **D27/167**

(58) **Field of Classification Search**
USPC D27/101, 162-172; D24/110.5, 110
CPC A24F 1/02; A24F 1/04; A24F 1/06;
A24F 1/08; A24F 1/10; A24F 1/12; A24F
1/14; A24F 1/22; A24F 47/002-47/008;
A24F 1/30; A24F 47/00; A61M 15/00;
A61M 15/06

See application file for complete search history.

(56) **References Cited**

U.S. PATENT DOCUMENTS

5,203,323 A *	4/1993	Tritle	A61M 15/0086 128/200.23
7,287,530 B1 *	10/2007	Stuart	A24F 1/30 131/173
8,074,641 B2 *	12/2011	Gallem	A61M 15/0086 128/200.14

Primary Examiner — Susan Bennett Hattan

Assistant Examiner — Janice Hallmark

(74) *Attorney, Agent, or Firm* — Pate Peterson PLLC; Brett Peterson

(57) **CLAIM**

I claim the ornamental design for the electronic cigarette tank with fill port and plug, as shown and described.

DESCRIPTION

FIG. 1 is a front perspective view of the electronic cigarette tank with fill port and plug.

FIG. 2 is a top view of the electronic cigarette tank with fill port and plug.

FIG. 3 is a bottom view of the electronic cigarette tank with fill port and plug.

FIG. 4 is a left side view of the electronic cigarette tank with fill port and plug.

FIG. 5 is a right side view of the electronic cigarette tank with fill port and plug.

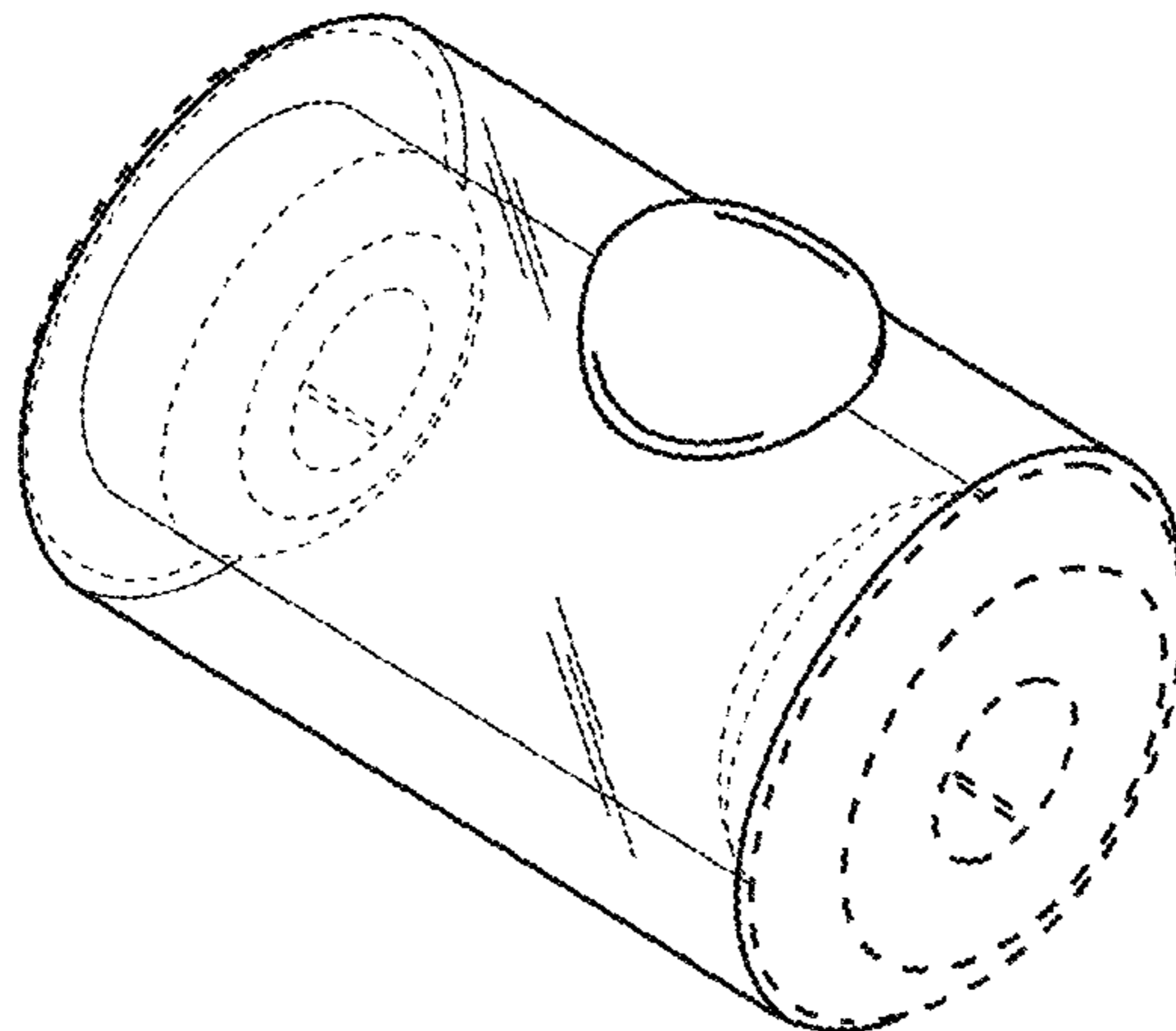
FIG. 6 is a back side view of the electronic cigarette tank with fill port and plug.

FIG. 7 is a front side view of the electronic cigarette tank with fill port and plug; and,

FIG. 8 is a left side view of the electronic cigarette tank with fill port and plug with a cartomizer inserted therein.

The broken line portions of the electronic cigarette tank and the broken line environmental showing of the cartomizer are not claimed as part of the claimed design.

1 Claim, 8 Drawing Sheets



(56)

References Cited

U.S. PATENT DOCUMENTS

2013/0087160	A1*	4/2013	Gherghe	A24F 47/008 131/329	2013/0276781	A1*	10/2013	Steelman	A61M 15/0086 128/203.12
2013/0146074	A1*	6/2013	Virga	A24F 1/24 131/328	2014/0109921	A1*	4/2014	Chen	A24F 47/008 131/273
2013/0152922	A1*	6/2013	Benassayag	A61M 15/06 128/202.21	2014/0123989	A1*	5/2014	LaMothe	A24F 47/008 131/328
2013/0180533	A1*	7/2013	Kim	A24F 47/008 131/273	2015/0157053	A1*	6/2015	Mayor	A24F 47/008 131/329

* cited by examiner

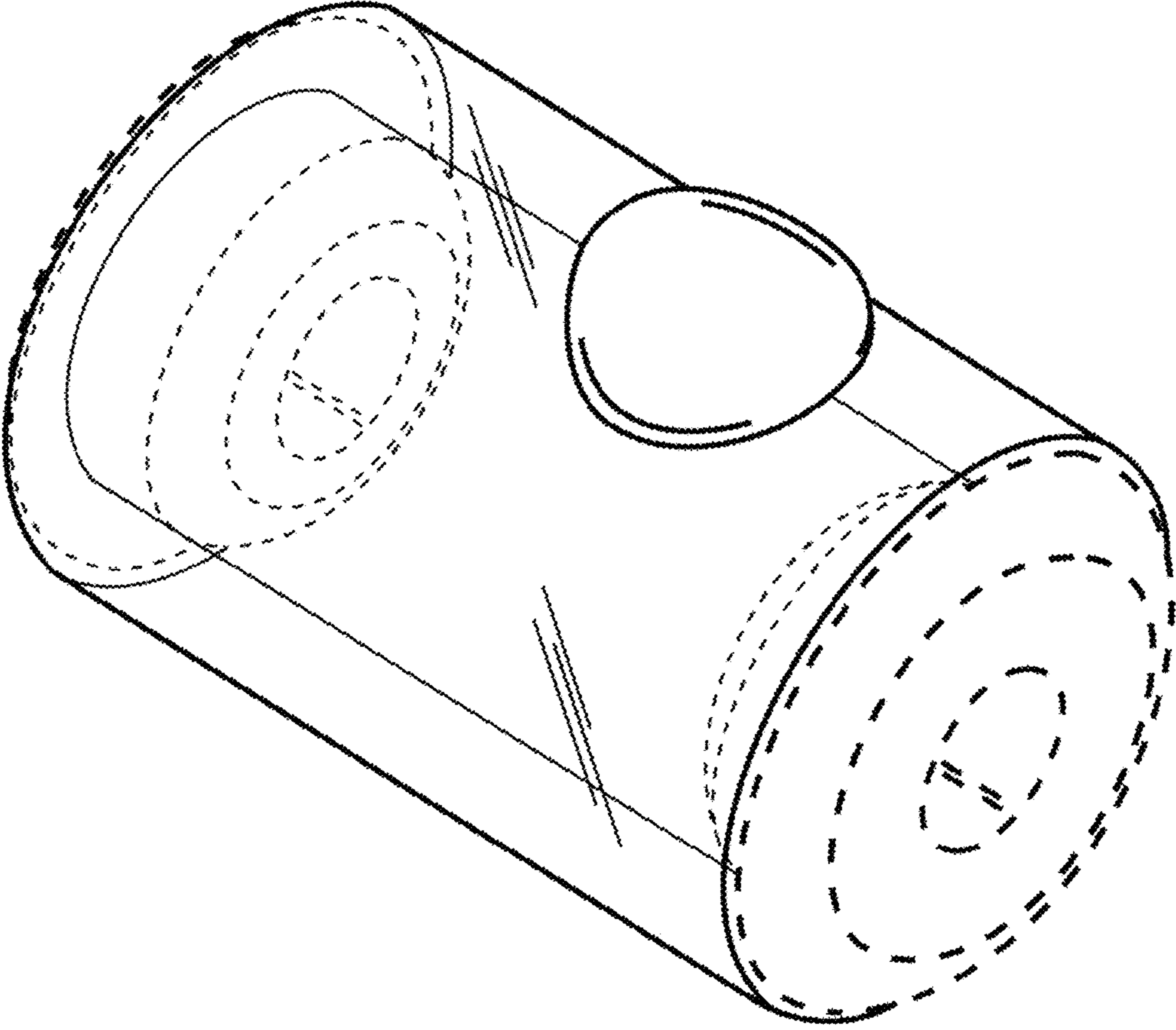


FIG. 1

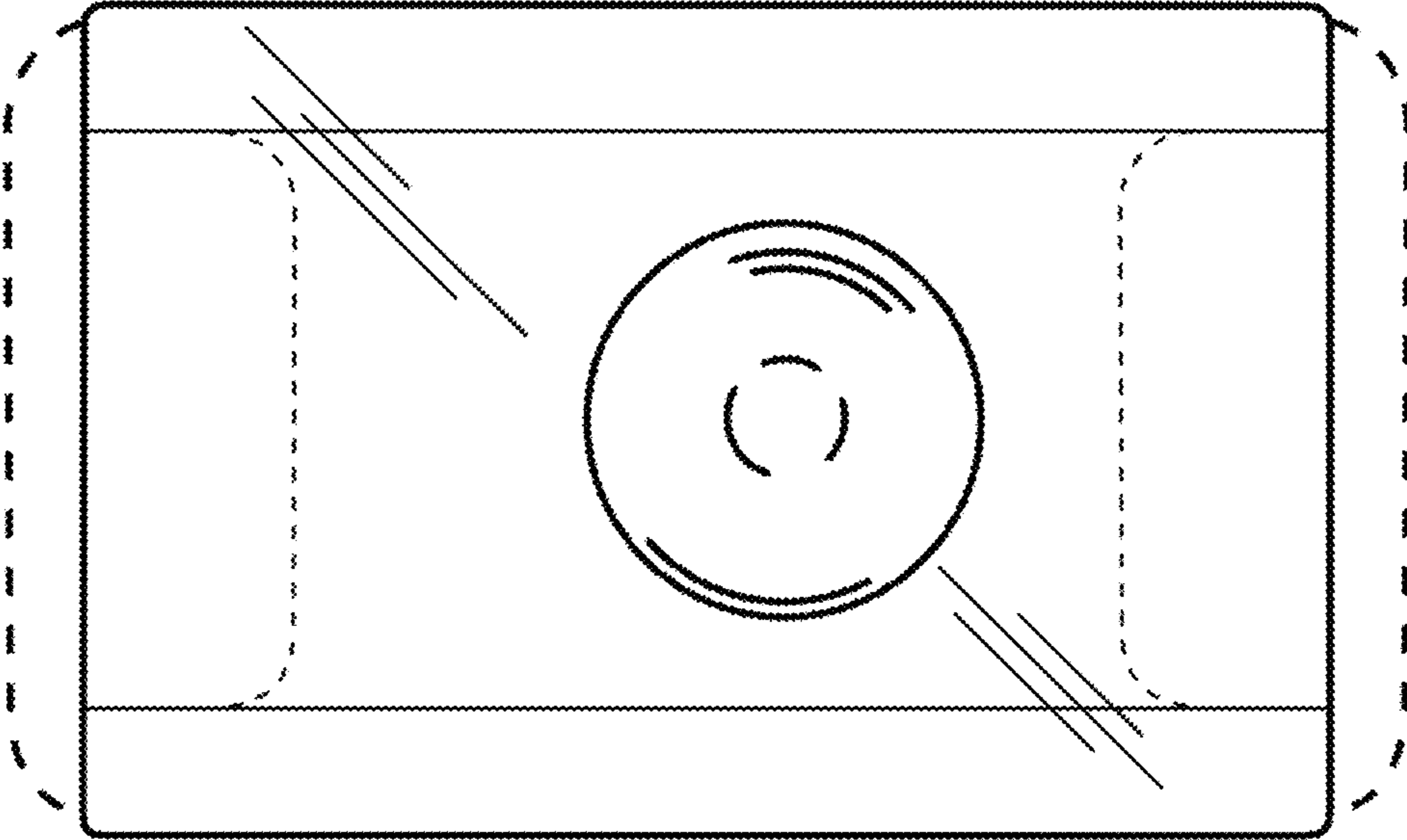


FIG. 2

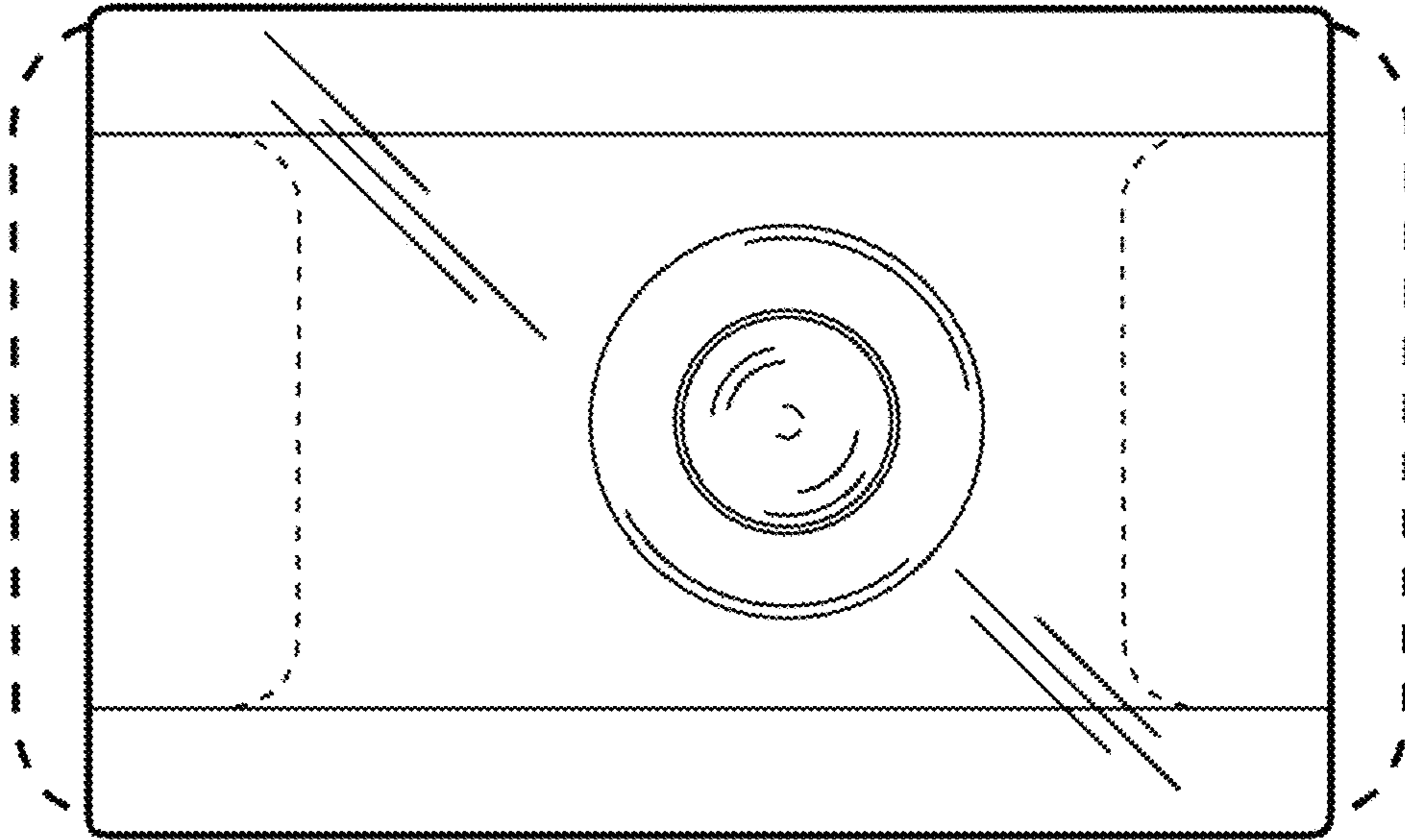


FIG. 3

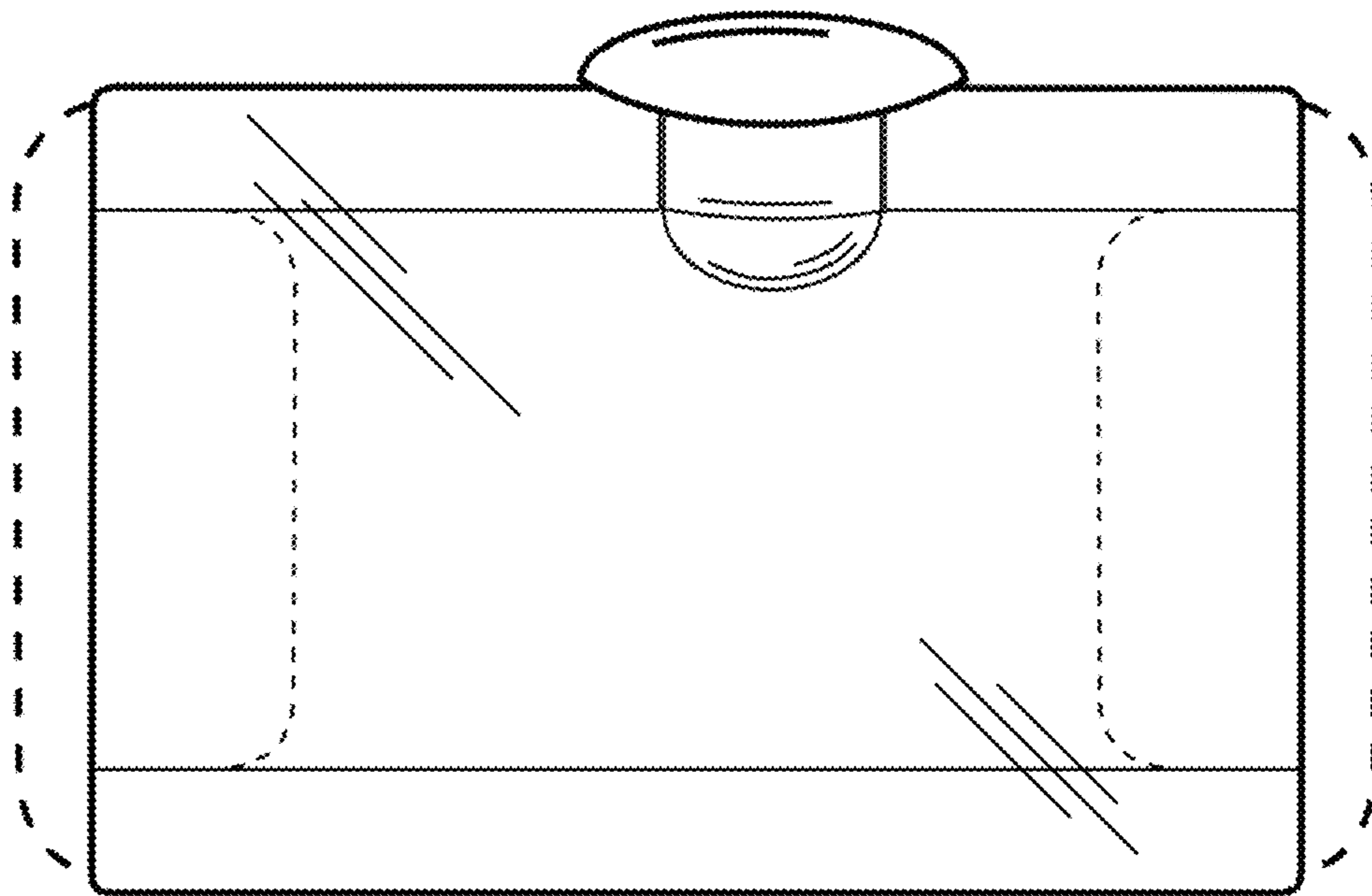


FIG. 4

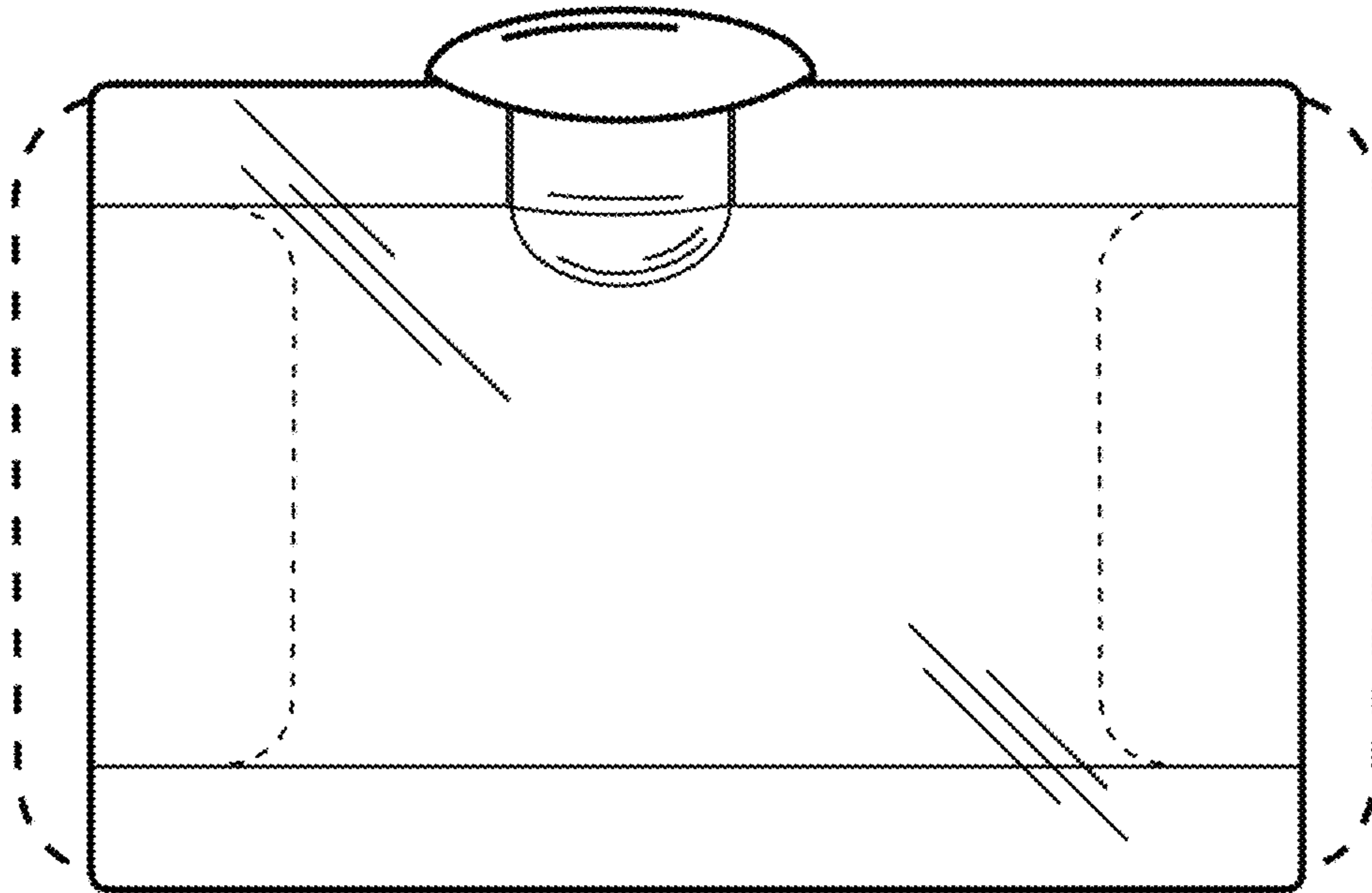


FIG. 5

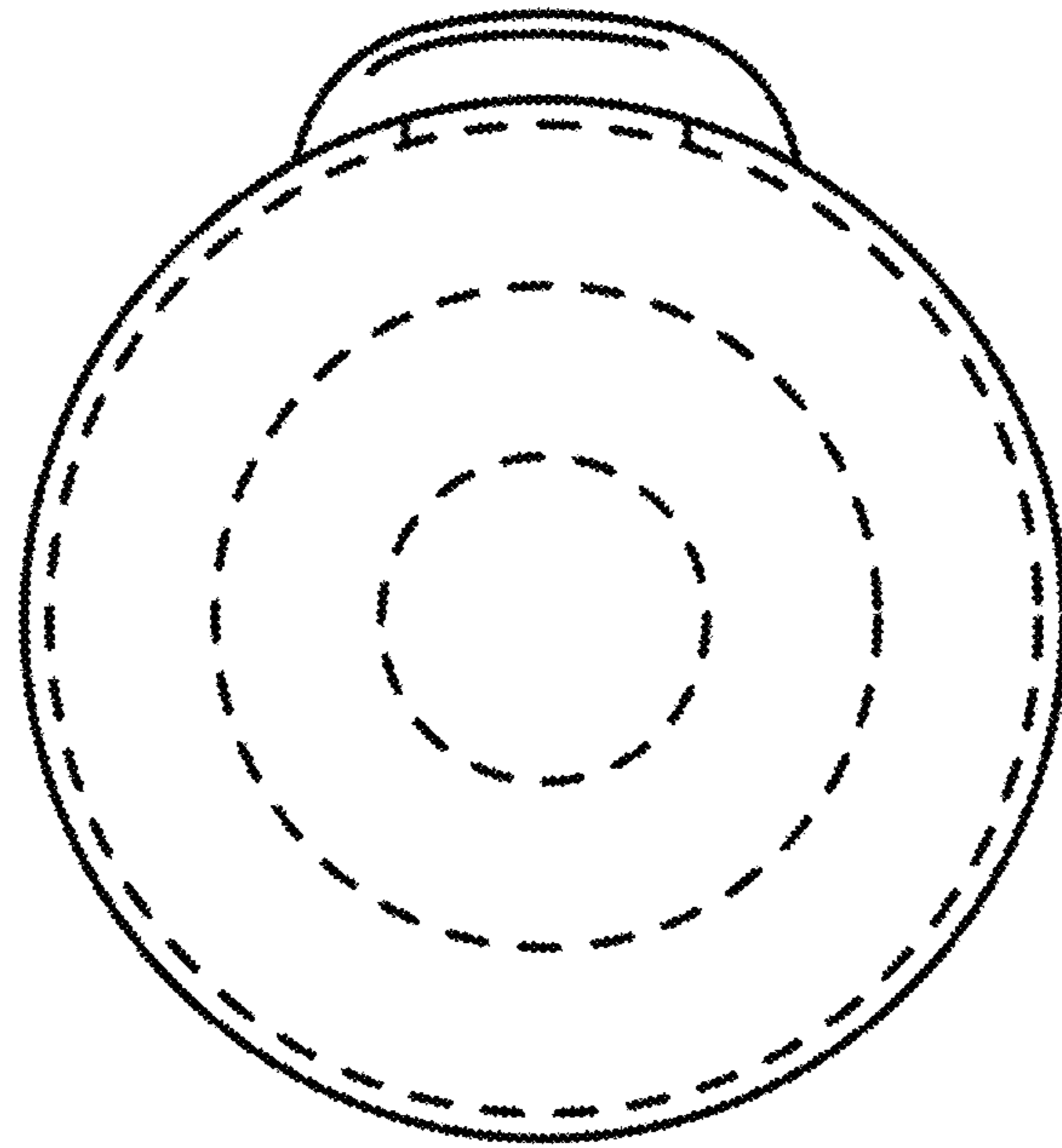


FIG. 6

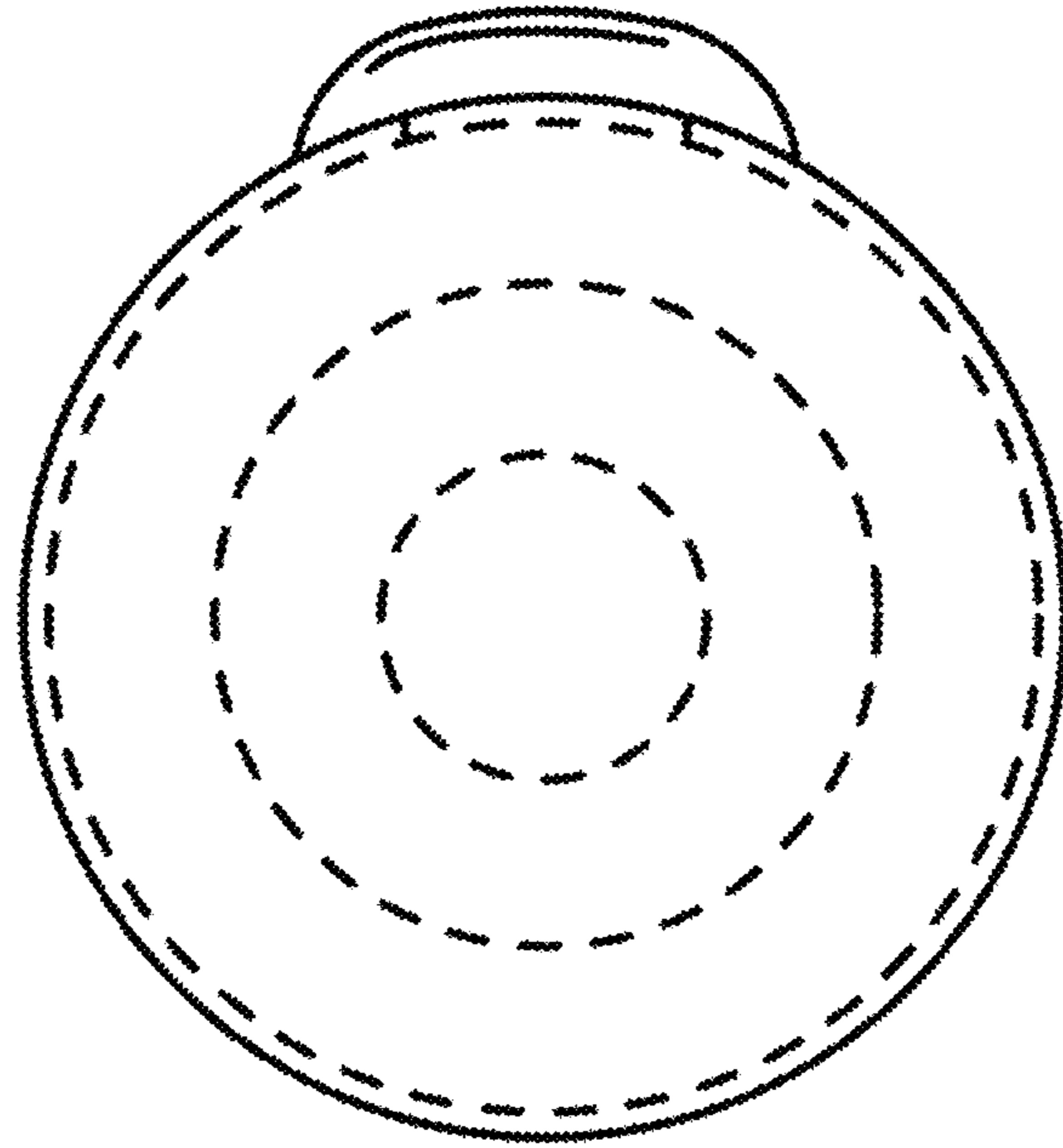


FIG. 7

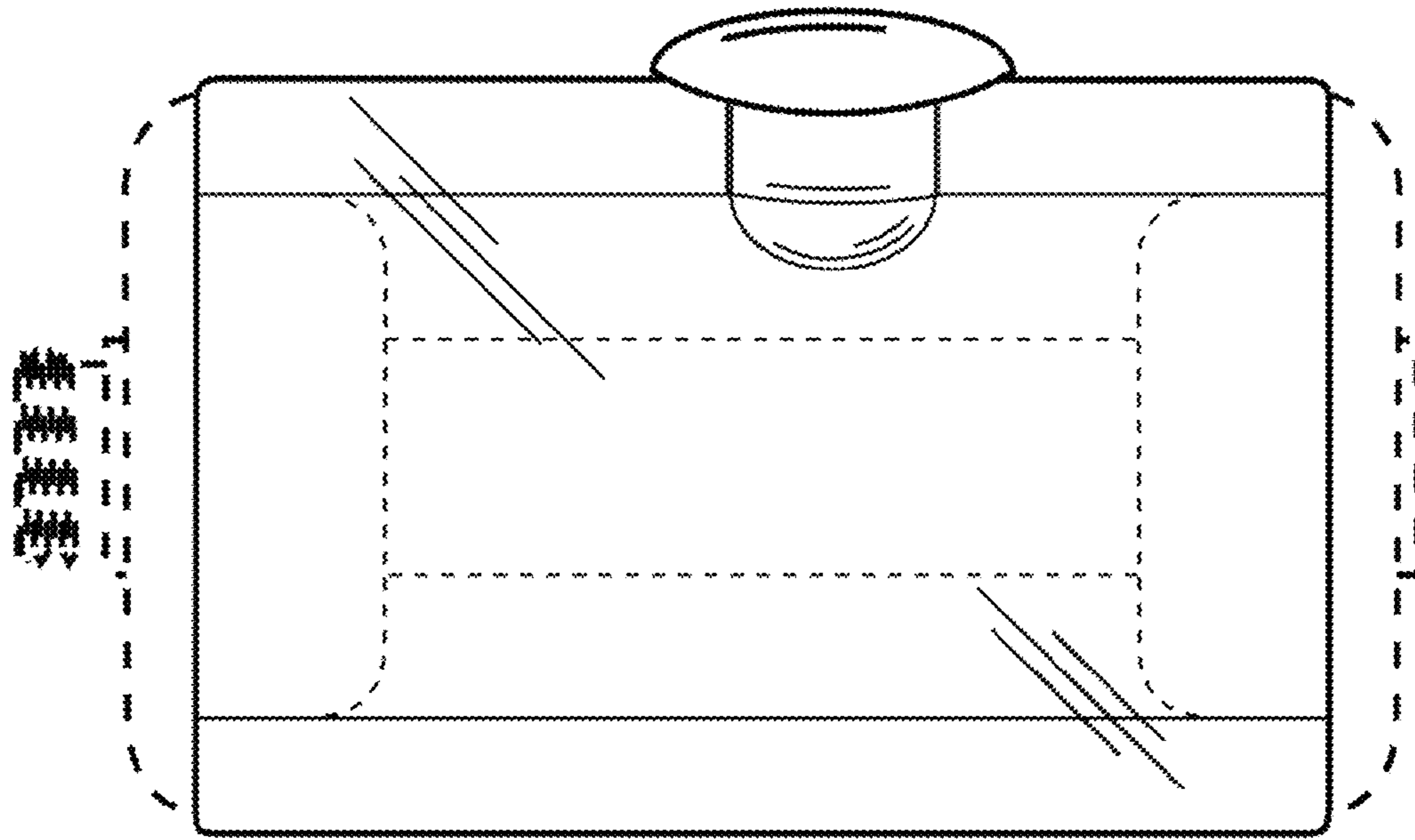


FIG. 8