



US00D760950S

(12) **United States Design Patent**
Bennett

(10) **Patent No.:** **US D760,950 S**
(45) **Date of Patent:** **** Jul. 5, 2016**

- (54) **SNUFFER TOOL**
- (71) Applicant: **Don Bennett**, Sevierville, TN (US)
- (72) Inventor: **Don Bennett**, Sevierville, TN (US)
- (**) Term: **15 Years**
- (21) Appl. No.: **29/540,380**
- (22) Filed: **Sep. 23, 2015**

Related U.S. Application Data

- (62) Division of application No. 29/482,219, filed on Feb. 14, 2014, now Pat. No. Des. 742,585.
- (51) **LOC (10) Cl.** **27-03**
- (52) **U.S. Cl.**
USPC **D27/136; D27/134**
- (58) **Field of Classification Search**
USPC D27/102-103, 109, 111-112, 129-130, D27/133-138, 142-144, 161, 167, 172, 181, D27/194-196; D8/1, 77; D7/387, 399, 682, D7/584, 587; 131/177, 184.1, 235.1, 238, 131/240.1, 243, 247, 256, 258; D9/428
CPC A24F 23/04; A24F 9/02; A24F 19/00; A24F 19/0014; A24F 19/0028; A24F 19/025; A24F 19/0035; A24F 15/08; A24F 19/10; A24F 19/14; A24F 13/18
See application file for complete search history.

References Cited

U.S. PATENT DOCUMENTS

- 718,652 A * 1/1903 McMillan 131/247
- 1,649,614 A * 11/1927 Redheffer A24F 9/02
131/247
- 1,767,092 A * 6/1930 Nee A24F 13/18
131/256
- 2,022,719 A * 12/1935 Irvine F21L 19/00
431/34
- D102,679 S * 1/1937 Fay 131/256
- D177,954 S * 6/1956 Adams 131/235.1
- D179,558 S * 1/1957 Carruthers D27/134

- D183,251 S * 7/1958 Evans 131/235.1
- 2,931,367 A * 4/1960 Glenny A24F 13/18
131/256
- 3,283,764 A * 11/1966 Laufer A24F 9/04
131/243
- 3,386,452 A * 6/1968 Davis A24F 13/18
131/235.1
- D226,342 S * 2/1973 Curran 131/238
- D228,036 S * 7/1973 Hollister D27/133
- D245,344 S * 8/1977 Fisher D27/135
- D263,915 S * 4/1982 Kohan D2/887
- D291,126 S * 7/1987 Gaptjern D27/125
- D292,622 S * 11/1987 Meyers D27/136
- D348,590 S * 7/1994 Scott D7/387
- D551,798 S * 9/2007 McGuire D27/133
- D586,952 S * 2/2009 Bennett D27/135
- D677,426 S * 3/2013 Henry D27/136
- D738,568 S * 9/2015 Bennett D27/136
- D739,074 S * 9/2015 Bennett D27/136
- D742,585 S * 11/2015 Bennett D27/136
- D742,586 S * 11/2015 Bennett D27/136

* cited by examiner

Primary Examiner — Susan Bennett Hattan

Assistant Examiner — Janice Hallmark

(74) *Attorney, Agent, or Firm* — QuickPatents, LLC; Kevin Prince

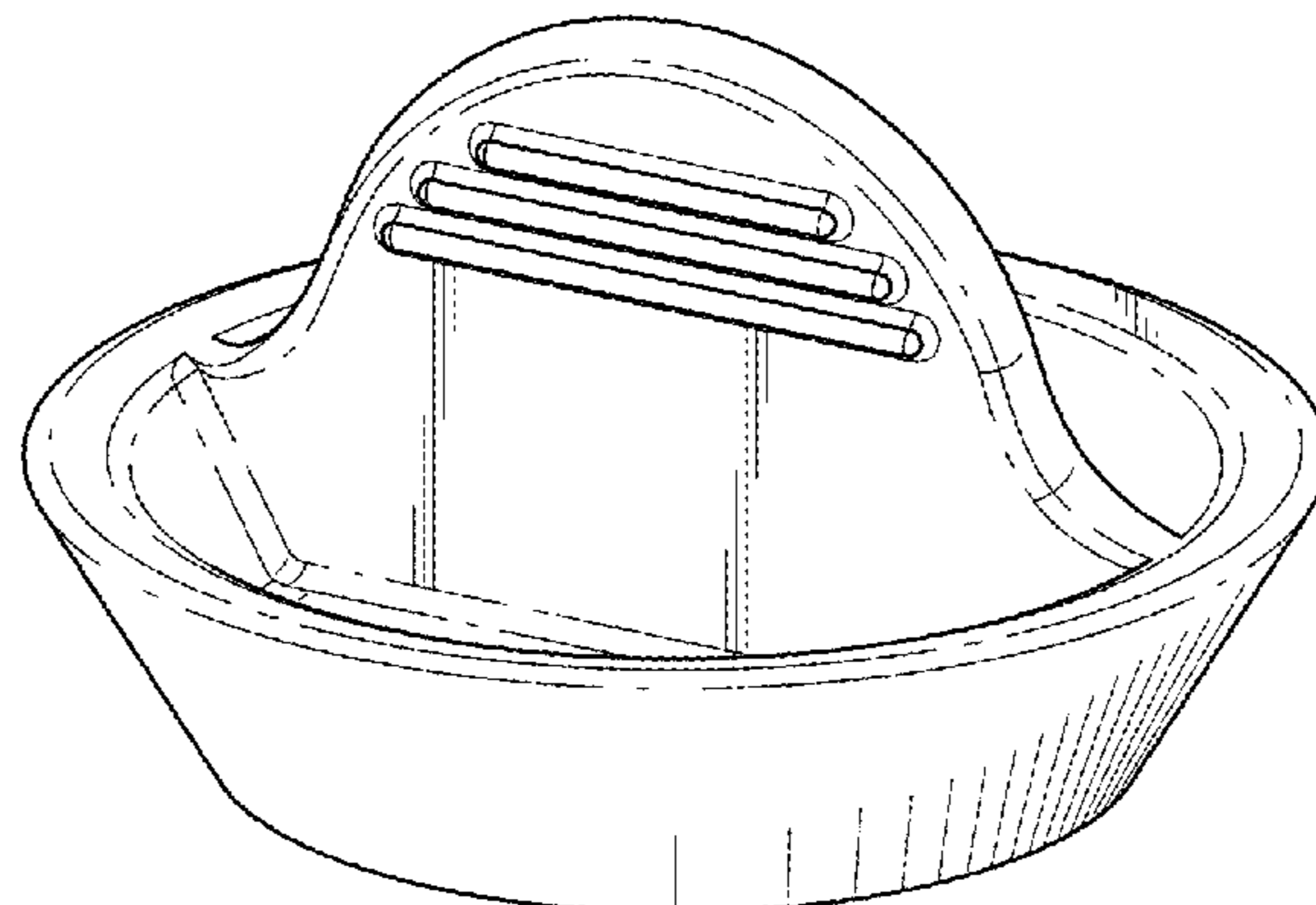
(57) **CLAIM**

I claim the ornamental design for a snuffer tool, as shown and described.

DESCRIPTION

FIG. 1 is a perspective view of a snuffer tool, showing my new design;
 FIG. 2 is a front elevational view of FIG. 1, the rear elevational view being a mirror image thereof;
 FIG. 3 is a left-side elevational view of FIG. 1, the right-side elevational view being a mirror image thereof;
 FIG. 4 is a top plan view of FIG. 1;
 FIG. 5 is a bottom plan view of FIG. 1; and,
 FIG. 6 is a cross-sectional view of FIG. 4, taken along lines 6-6.

1 Claim, 3 Drawing Sheets



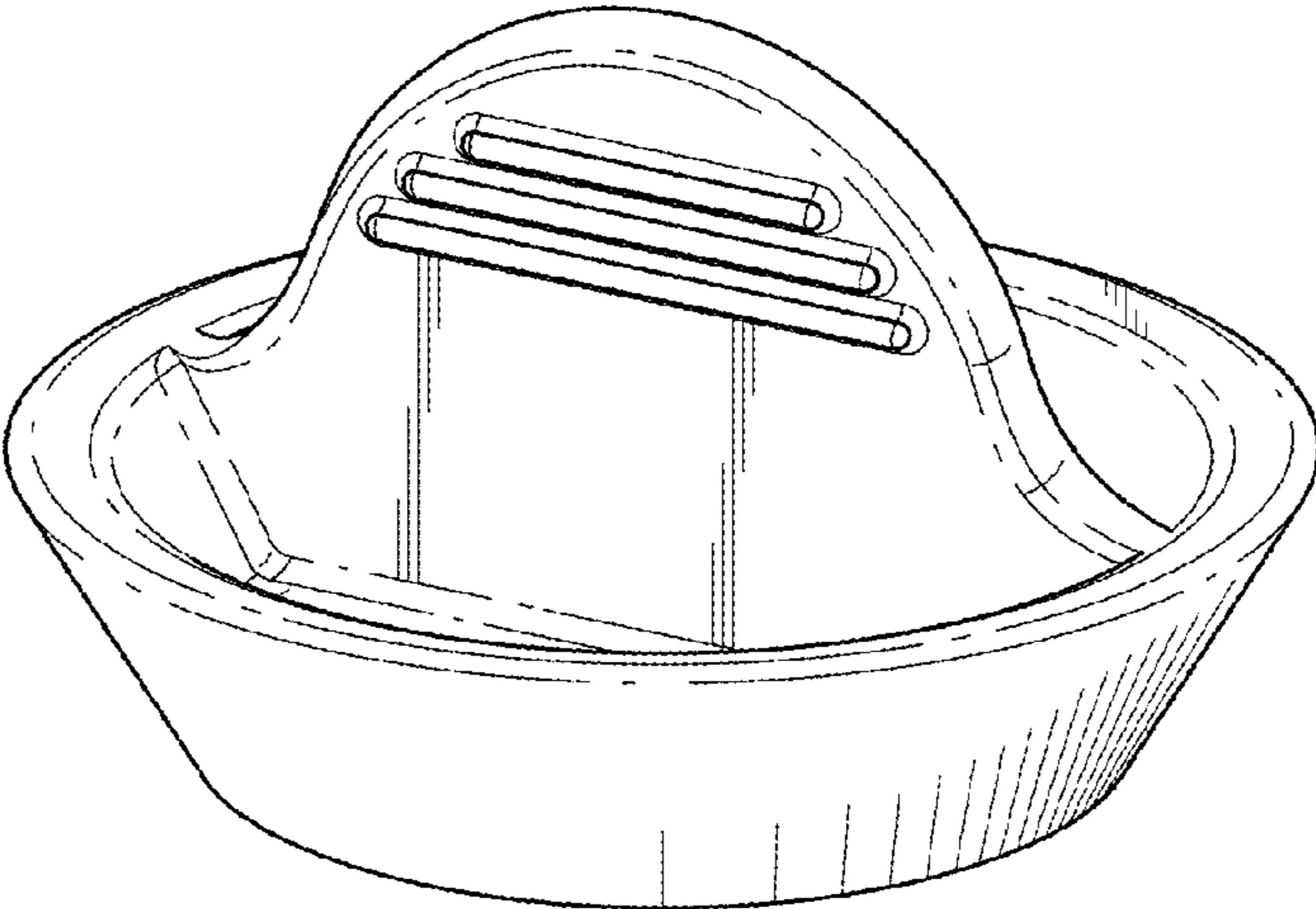


FIG. 1

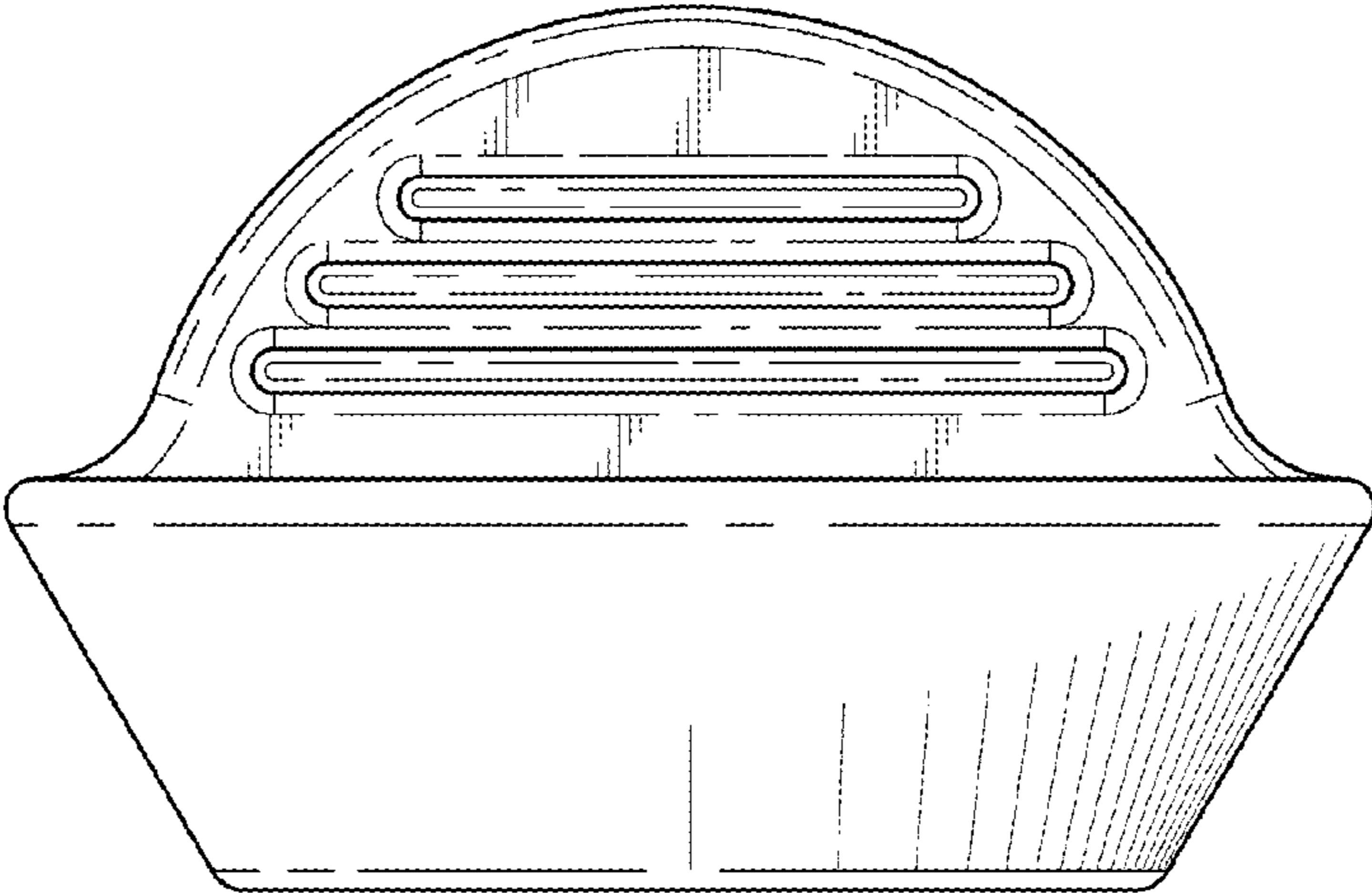


FIG. 2

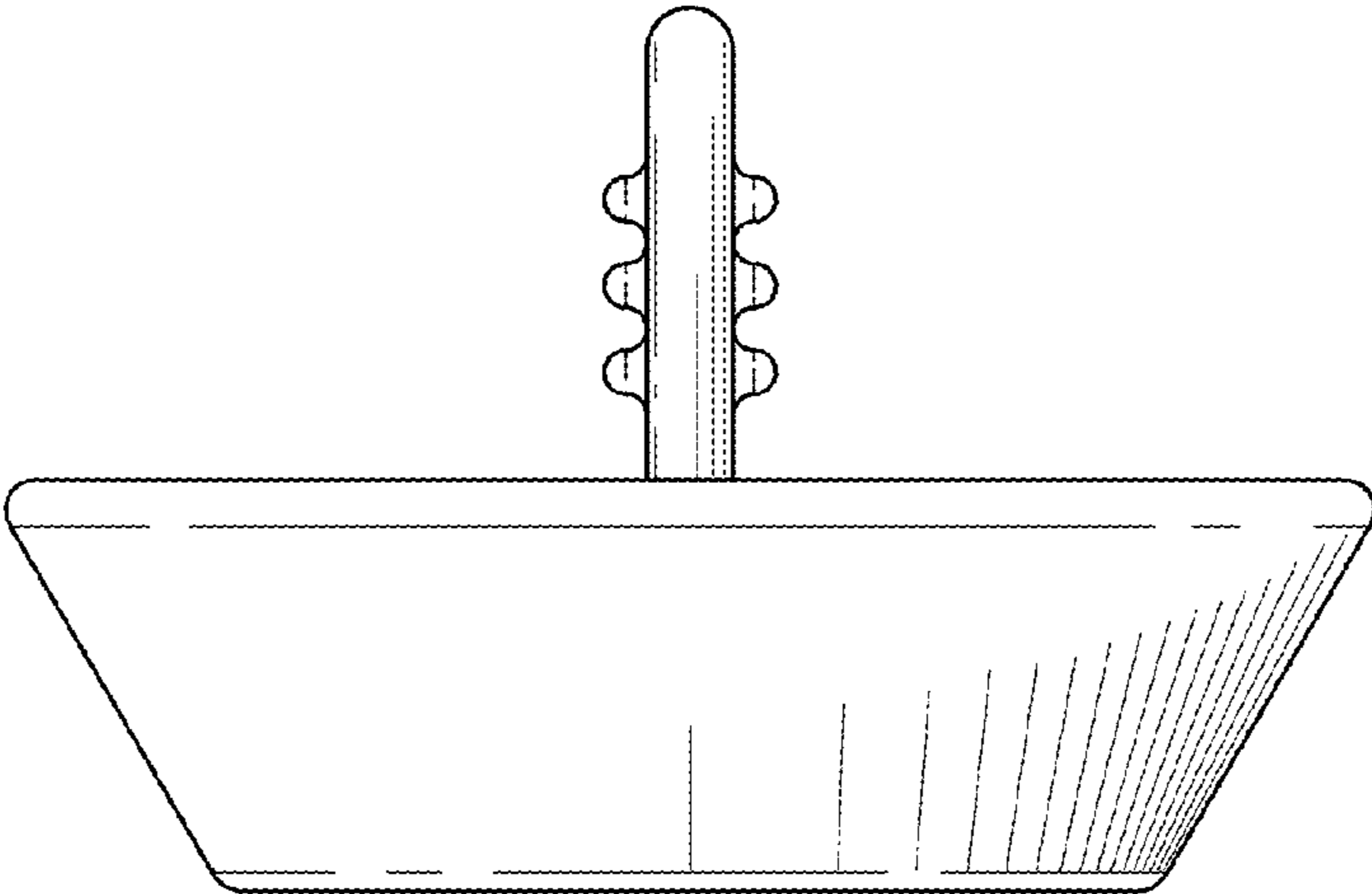
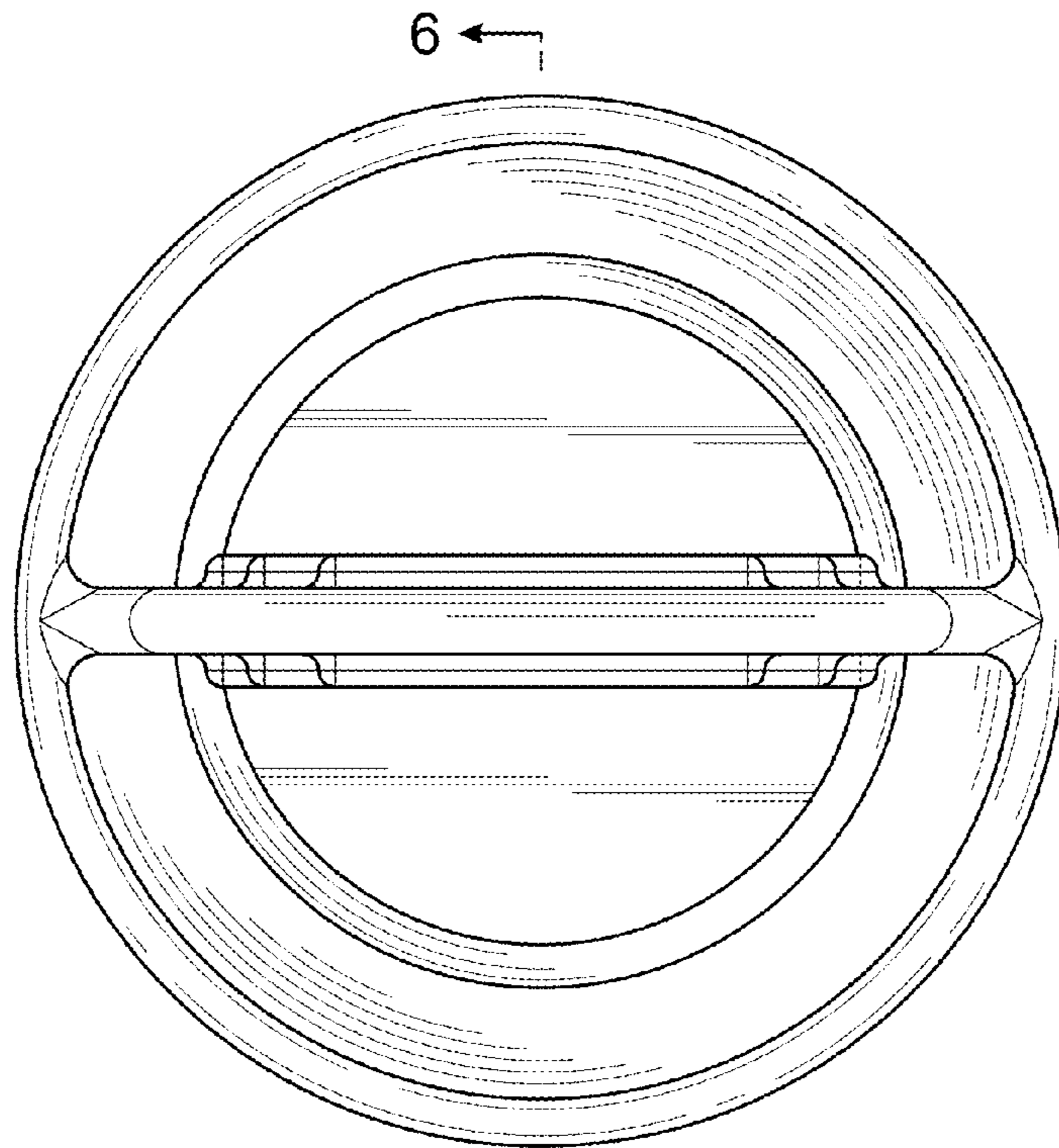


FIG. 3



6 ←
FIG. 4

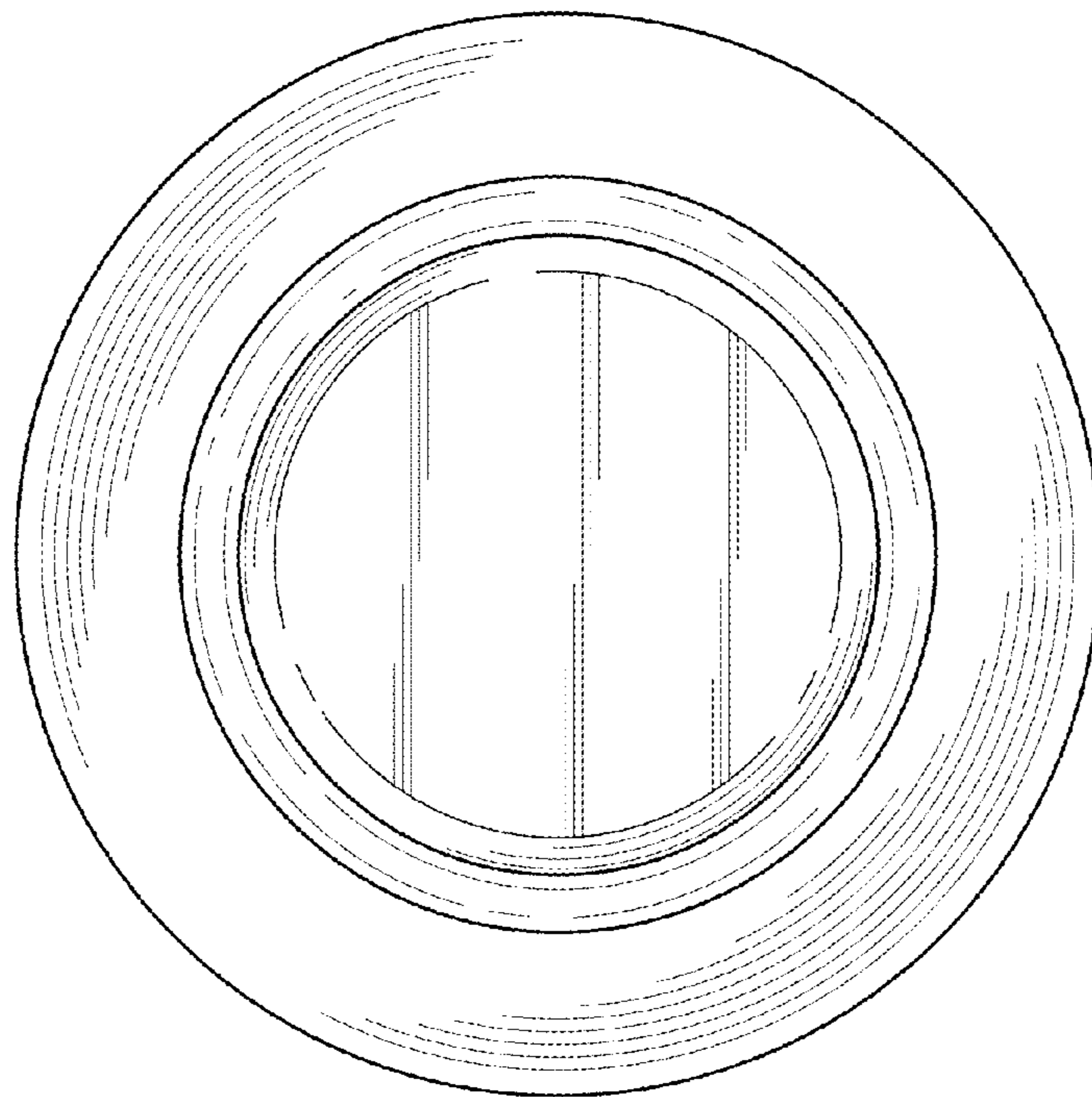


FIG. 5

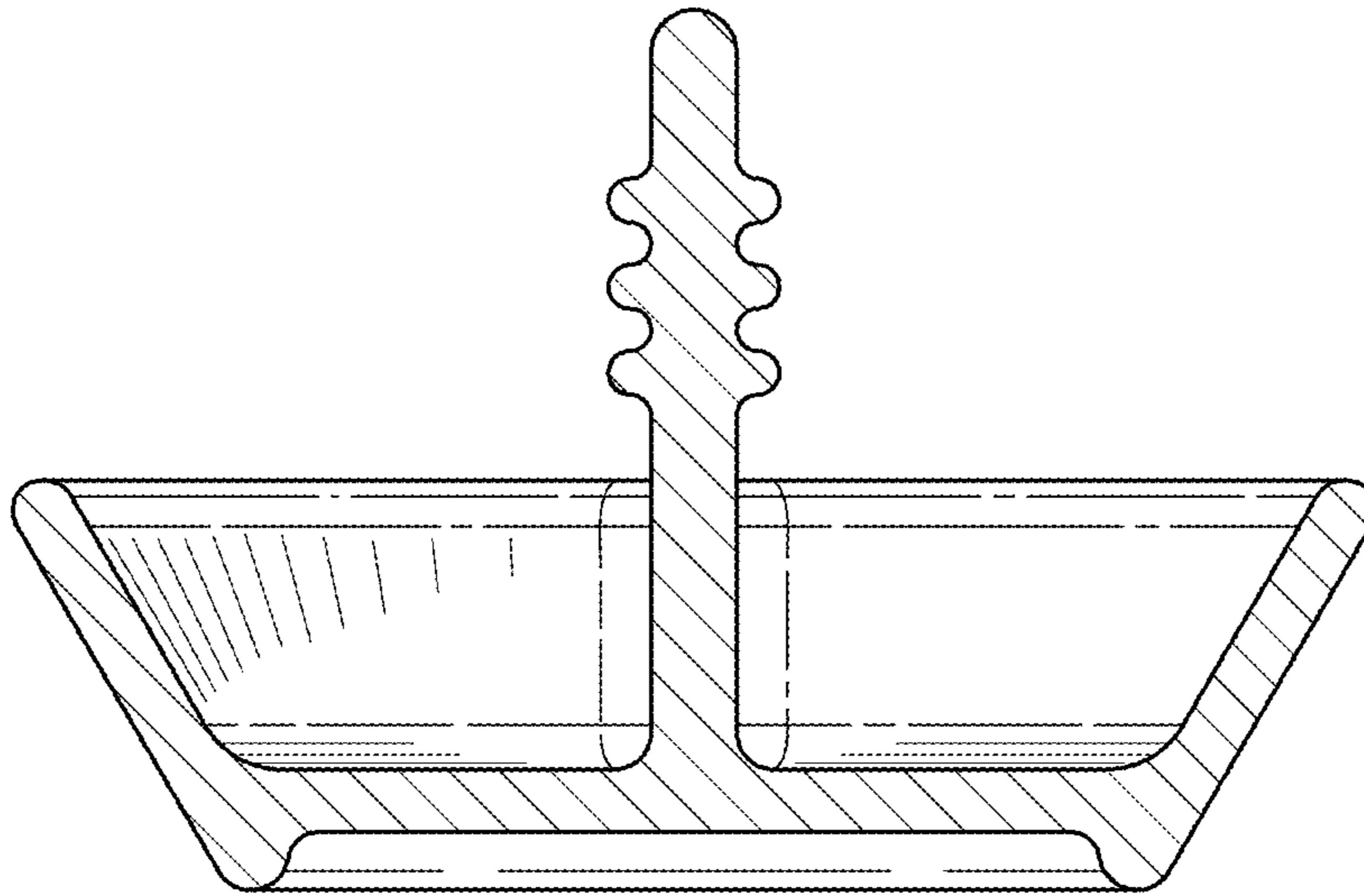


FIG. 6