



US00D760949S

(12) **United States Design Patent**
Blackledge

(10) **Patent No.:** **US D760,949 S**

(45) **Date of Patent:** **** Jul. 5, 2016**

(54) **ASHTRAY WITH LIGHTER**

(71) Applicant: **Albert H. Blackledge**, Pratt, KS (US)

(72) Inventor: **Albert H. Blackledge**, Pratt, KS (US)

(**) Term: **14 Years**

(21) Appl. No.: **29/513,476**

(22) Filed: **Dec. 31, 2014**

(51) **LOC (10) Cl.** **27-03**

(52) **U.S. Cl.**
USPC **D27/130**

(58) **Field of Classification Search**
USPC D27/130, 101-103, 105, 108, 118, 119,
D27/125, 127, 133, 135; D19/75; 131/231,
131/240.1, 241-245, 257
CPC A24F 13/18; A24F 19/14; A24F 19/00;
A24F 19/0035; A24F 15/00; B65D 85/00;
F23Q 2/32

See application file for complete search history.

(56) **References Cited**

U.S. PATENT DOCUMENTS

D223,310 S *	4/1972	Hollister	D27/118
D237,403 S *	10/1975	Koch	D27/130
D241,753 S *	10/1976	Kuciemba	D27/133
D280,555 S *	9/1985	Grube	D27/133
D362,921 S *	10/1995	Krystek	D27/106
D508,754 S *	8/2005	Haywood	D27/120
2007/0137660 A1 *	6/2007	Brown	A24F 19/0092 131/240.1

* cited by examiner

Primary Examiner — Rosemary K Tarca

Assistant Examiner — Yolanda Robinson

(74) *Attorney, Agent, or Firm* — Tomlinson Rust McKinstry Grable

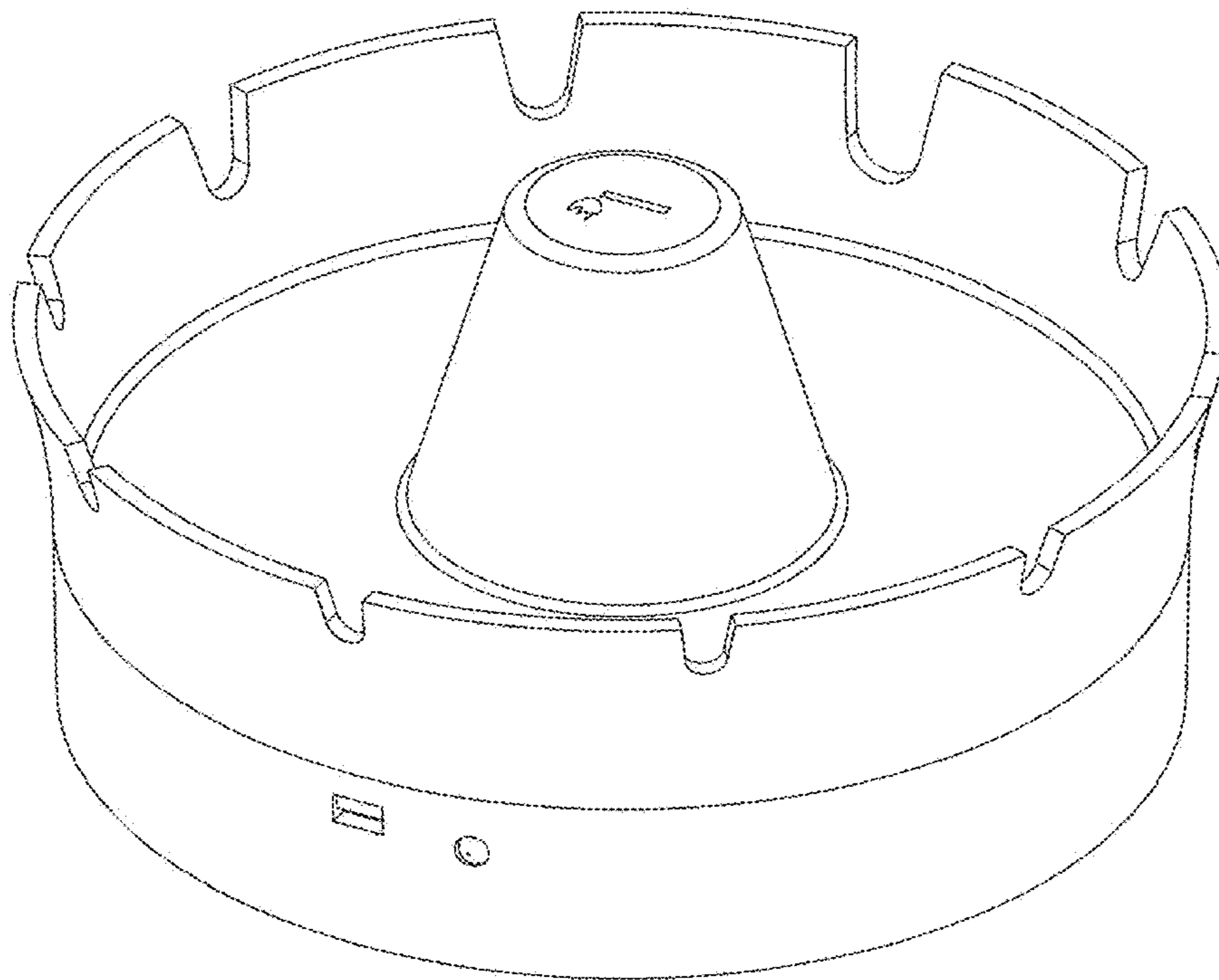
(57) **CLAIM**

The ornamental design for an ashtray with lighter, as shown and described.

DESCRIPTION

FIG. 1 is a side view showing my new design;
FIG. 2 is a top view showing the design of FIG. 1, the bottom being flat and devoid of surface ornamentation; and,
FIG. 3 is a top perspective view of the design.

1 Claim, 3 Drawing Sheets



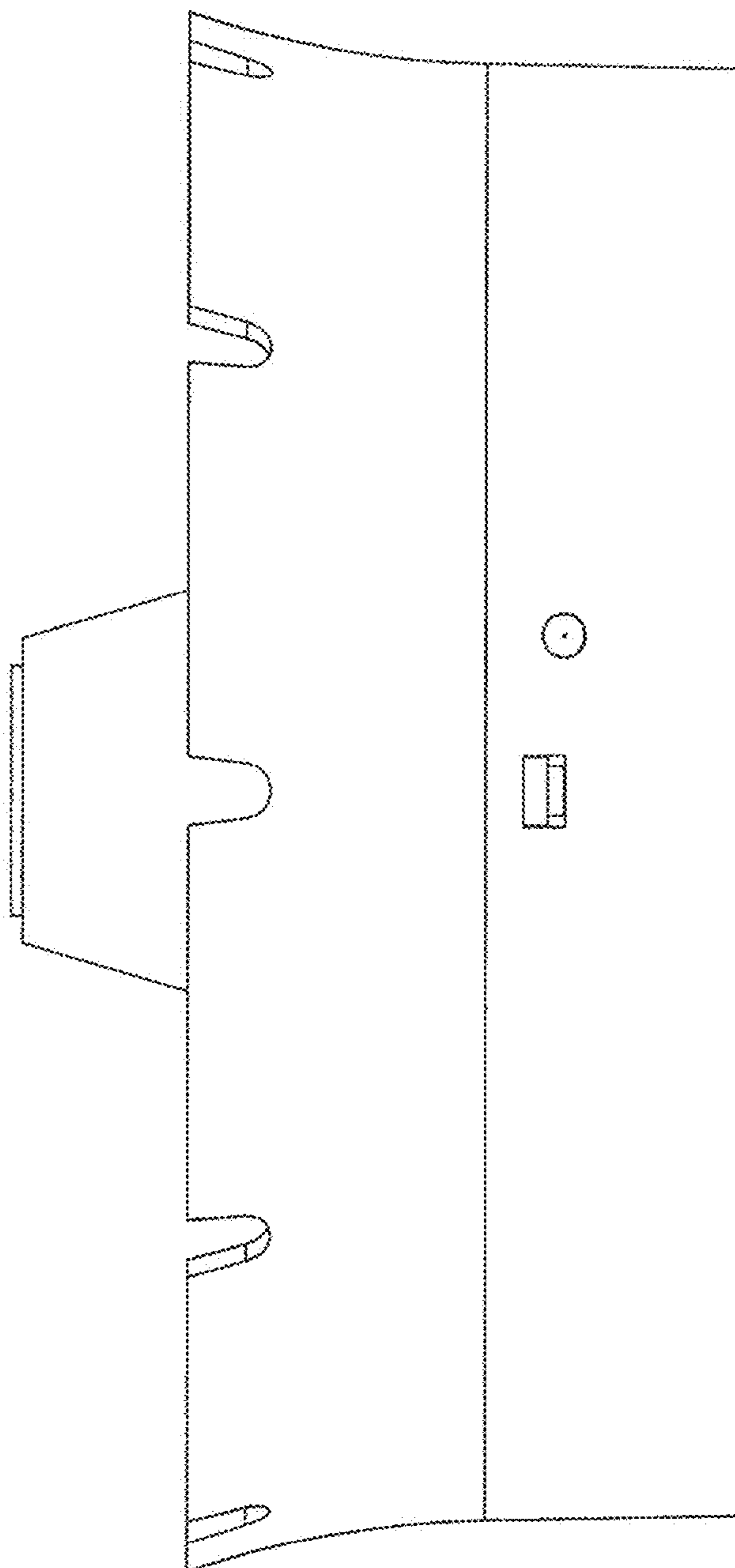


FIG. 1

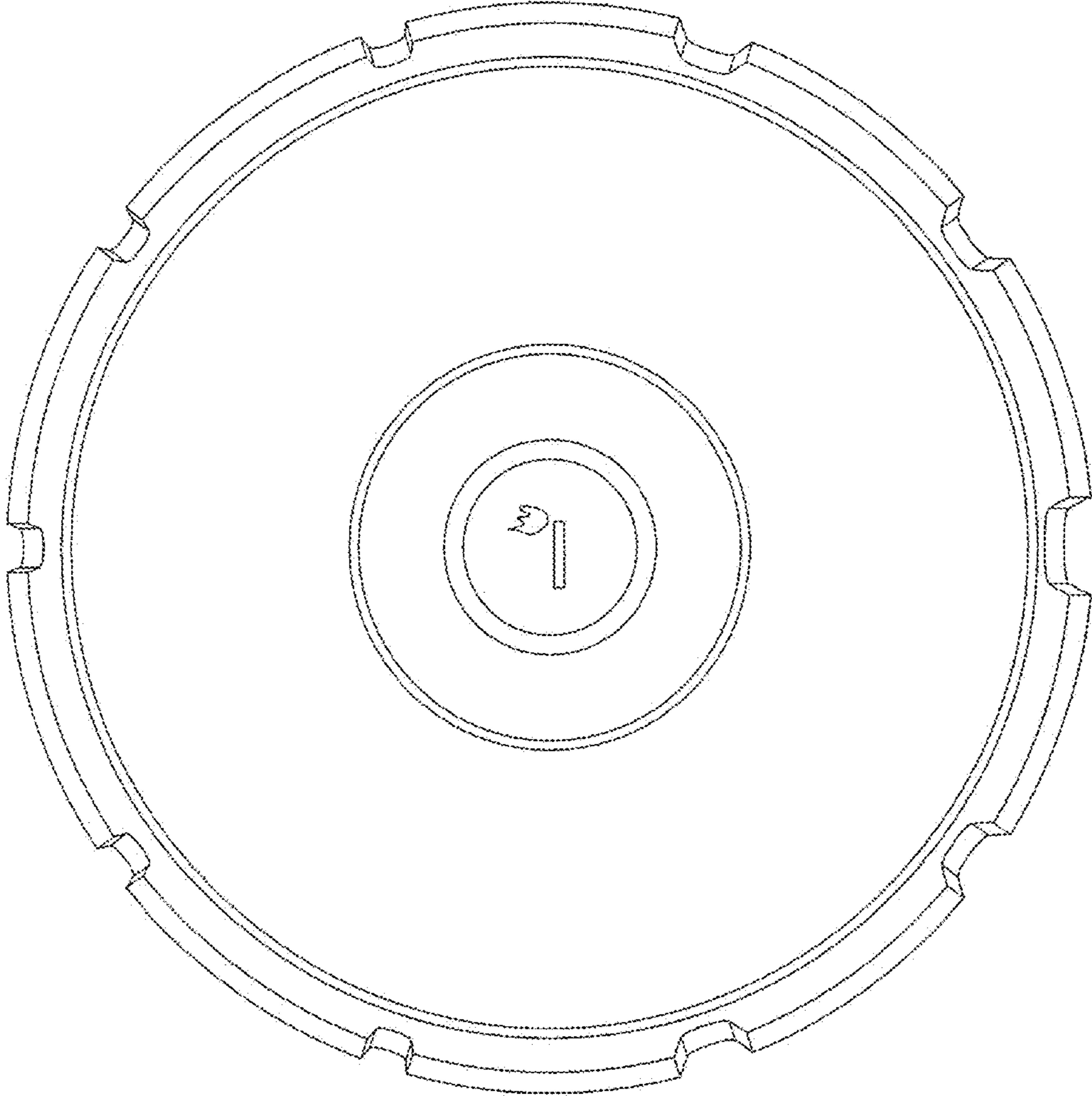


FIG. 2

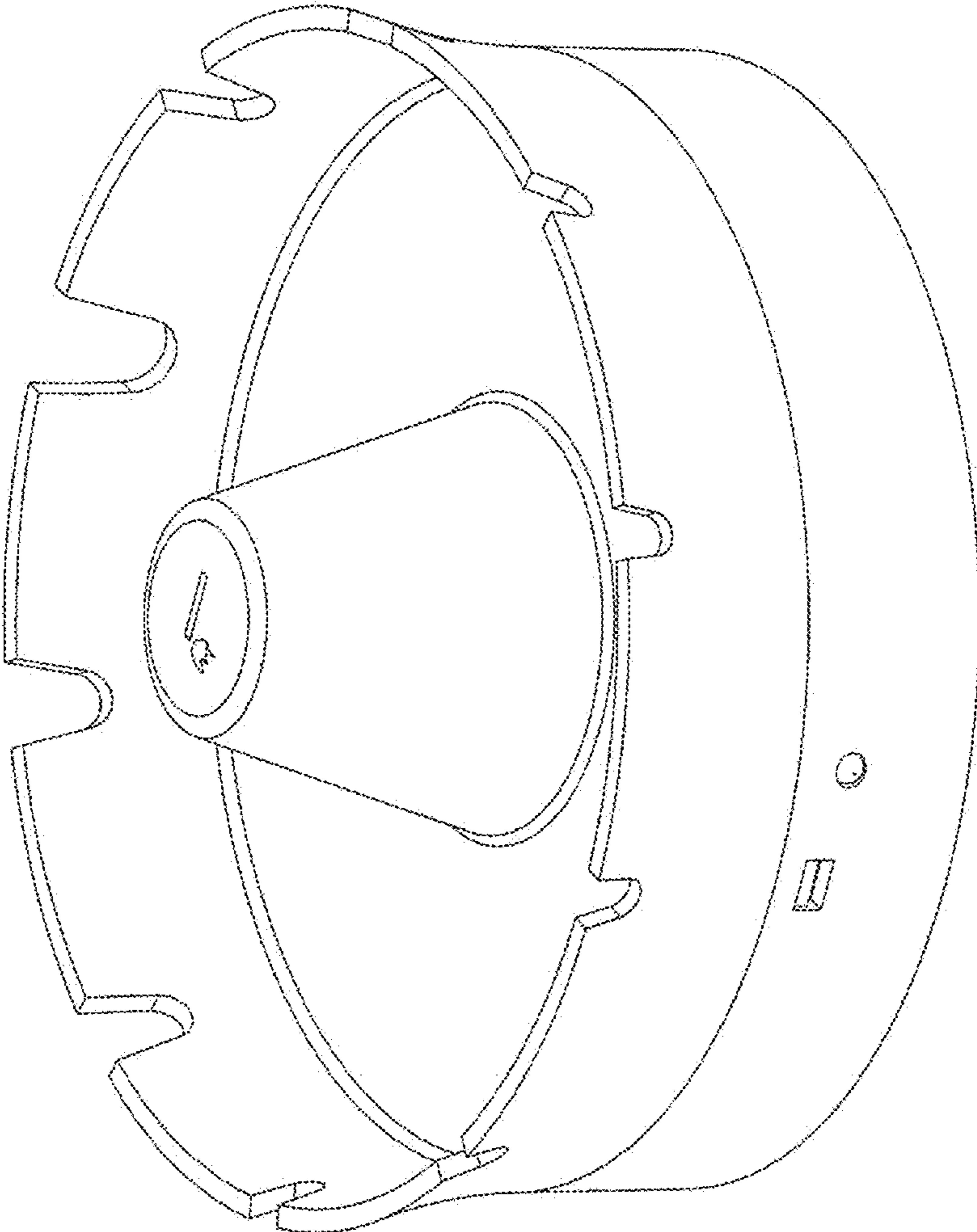


FIG. 3