



US00D760947S

(12) **United States Design Patent**
Hearn et al.

(10) **Patent No.:** **US D760,947 S**
(45) **Date of Patent:** **** Jul. 5, 2016**

(54) **INHALER**

(71) Applicant: **Kind Consumer Limited**, London (GB)

(72) Inventors: **Alex Hearn**, London (GB); **Khine Zaw Nyein**, Middlesex (GB)

(73) Assignee: **Kind Consumer Limited**, London (GB)

(**) Term: **14 Years**

(21) Appl. No.: **29/468,149**

(22) Filed: **Sep. 26, 2013**

(30) **Foreign Application Priority Data**

Mar. 26, 2013 (EM) 001366223-0001
Mar. 26, 2013 (EM) 001366223-0002

(51) **LOC (10) Cl.** **27-01**

(52) **U.S. Cl.**
USPC **D27/101**

(58) **Field of Classification Search**
USPC D27/100–101, 106, 143, 152, 161–172,
D27/183–184, 187, 189, 190, 193–194;
131/220–222, 226, 173, 174, 194,
131/328–330, 270, 273; D24/110.5, 110
CPC A24F 1/02; A24F 1/04; A24F 1/06;
A24F 1/08; A24F 1/10; A24F 1/12; A24F
1/14; A24F 1/22; A24F 9/16; A24F
47/002–47/008; A24F 1/30; A24F 47/00
See application file for complete search history.

(56) **References Cited**

U.S. PATENT DOCUMENTS

3,587,573 A * 6/1971 Flack 128/203.21
D624,238 S * 9/2010 Turner D27/101
D642,330 S * 7/2011 Turner D27/101
D652,987 S * 1/2012 Kaljura D27/101
D653,390 S * 1/2012 Kaljura D27/101

D653,802 S * 2/2012 Kaljura D27/101
D662,257 S * 6/2012 Alelov D27/101
D666,355 S * 8/2012 Alelov D27/101
8,499,766 B1 * 8/2013 Newton 131/273
D691,324 S * 10/2013 Saliman D27/101
D695,449 S * 12/2013 Tucker et al. D27/101
8,733,345 B2 * 5/2014 Siller 128/202.21
8,746,240 B2 * 6/2014 Terry et al. 128/202.21
2004/0255965 A1 * 12/2004 Perfetti et al. 131/353
2005/0016550 A1 * 1/2005 Katase 131/194
2006/0254604 A1 * 11/2006 Martinez Fernandez 131/273
2009/0044816 A1 * 2/2009 Rasouli et al. 131/274
2010/0083959 A1 * 4/2010 Siller 128/202.21
2011/0088707 A1 * 4/2011 Hajaligol 131/194
2011/0277764 A1 * 11/2011 Terry et al. 128/203.26
2012/0090629 A1 * 4/2012 Turner et al. 131/273
2013/0118509 A1 * 5/2013 Richardson 131/280
2013/0284194 A1 * 10/2013 Newton 131/329

* cited by examiner

Primary Examiner — Susan Bennett Hattan

Assistant Examiner — Janice Hallmark

(74) *Attorney, Agent, or Firm* — Patterson & Sheridan,
L.L.P.

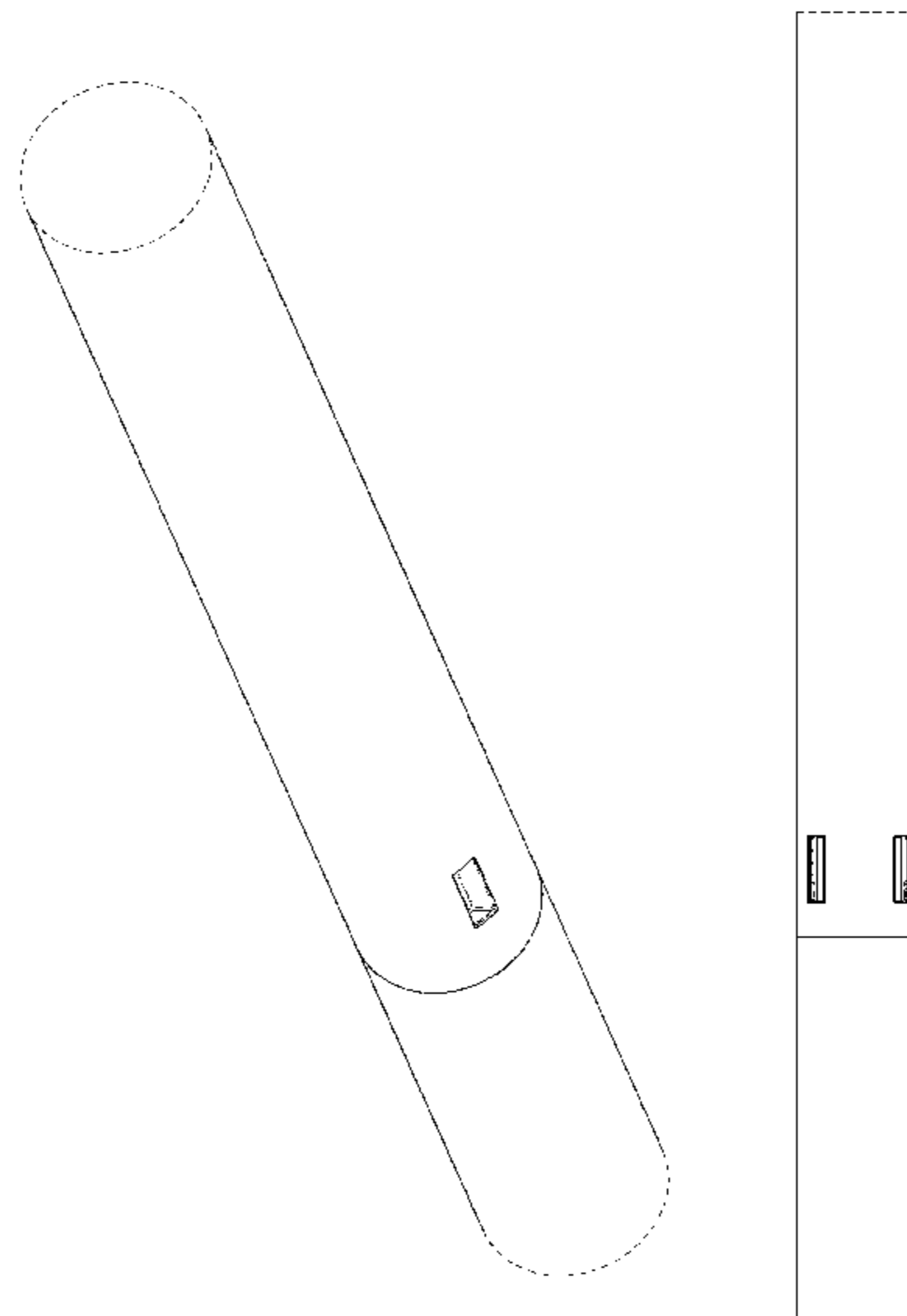
(57) **CLAIM**

The ornamental design for an inhaler, as shown and described.

DESCRIPTION

FIG. 1 is a perspective view of an inhaler showing our new design;
FIG. 2 is another perspective view thereof;
FIG. 3 is a bottom plan view thereof, the top plan view being identical;
FIG. 4 is a side elevational view thereof;
FIG. 5 is another side elevational view thereof;
FIG. 6 is a front elevational view thereof; and,
FIG. 7 is a rear elevational view thereof.
The broken line portions of the inhaler form no part of the claimed design.

1 Claim, 7 Drawing Sheets



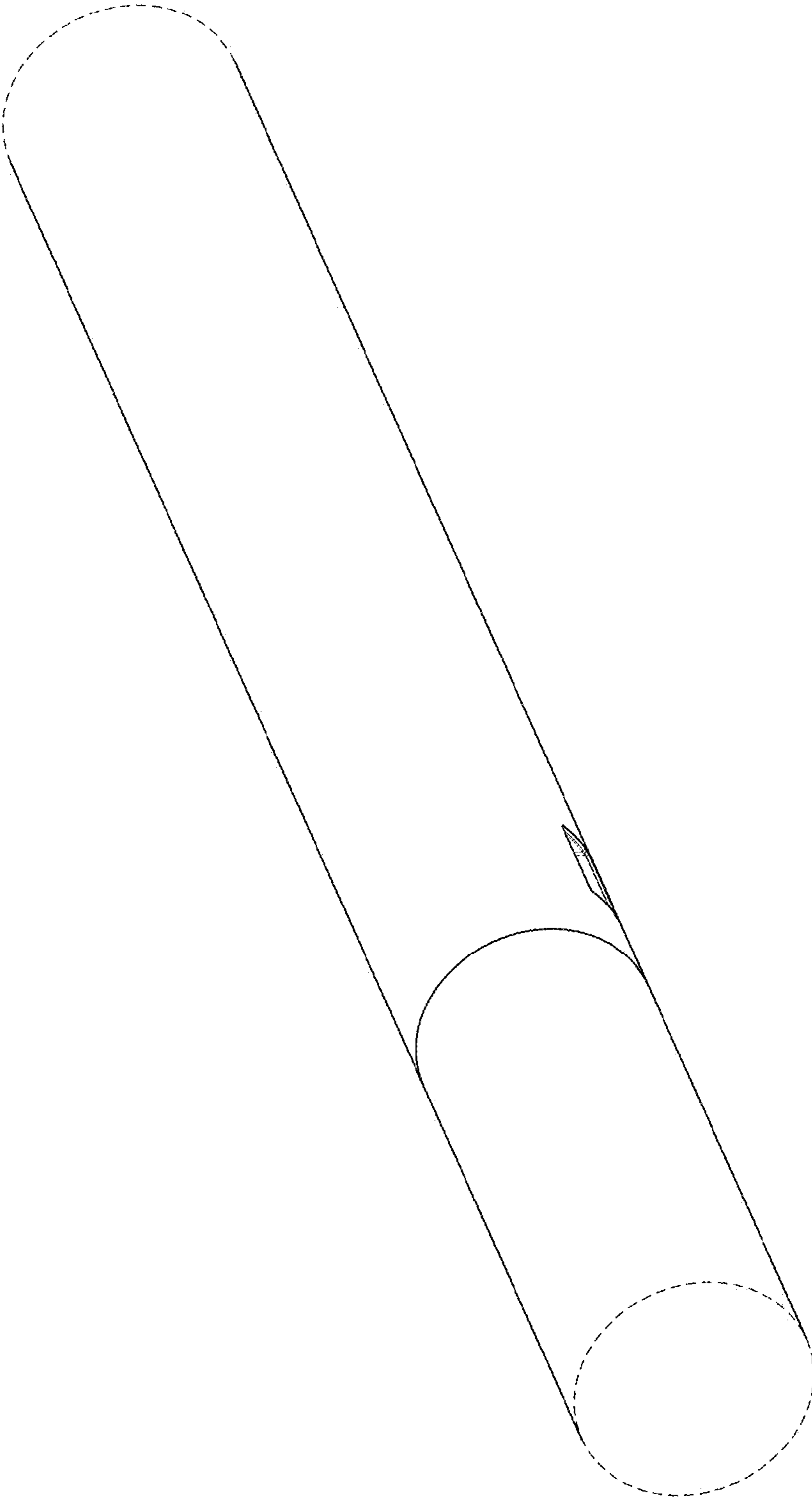


Fig. 1

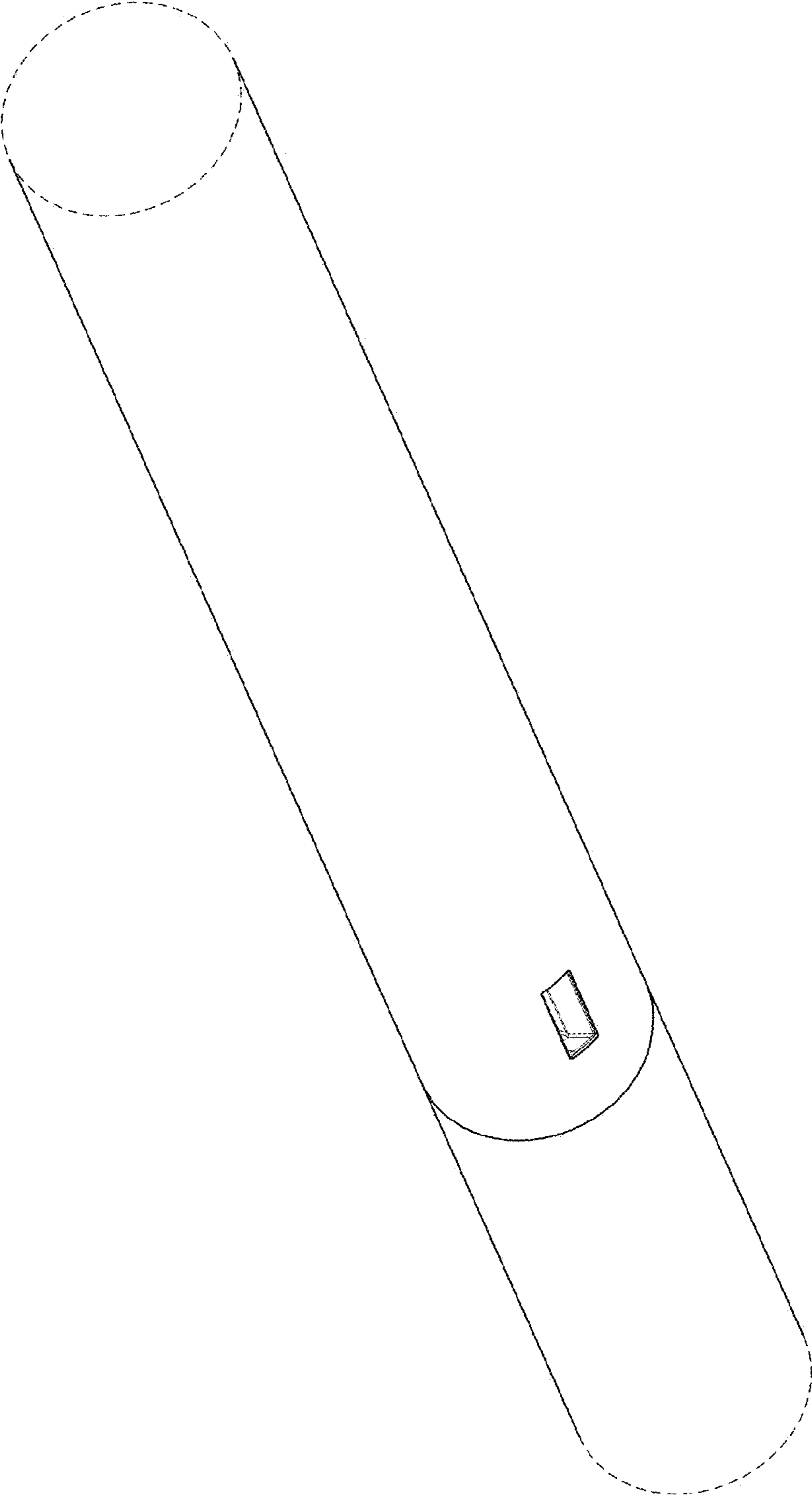


Fig. 2

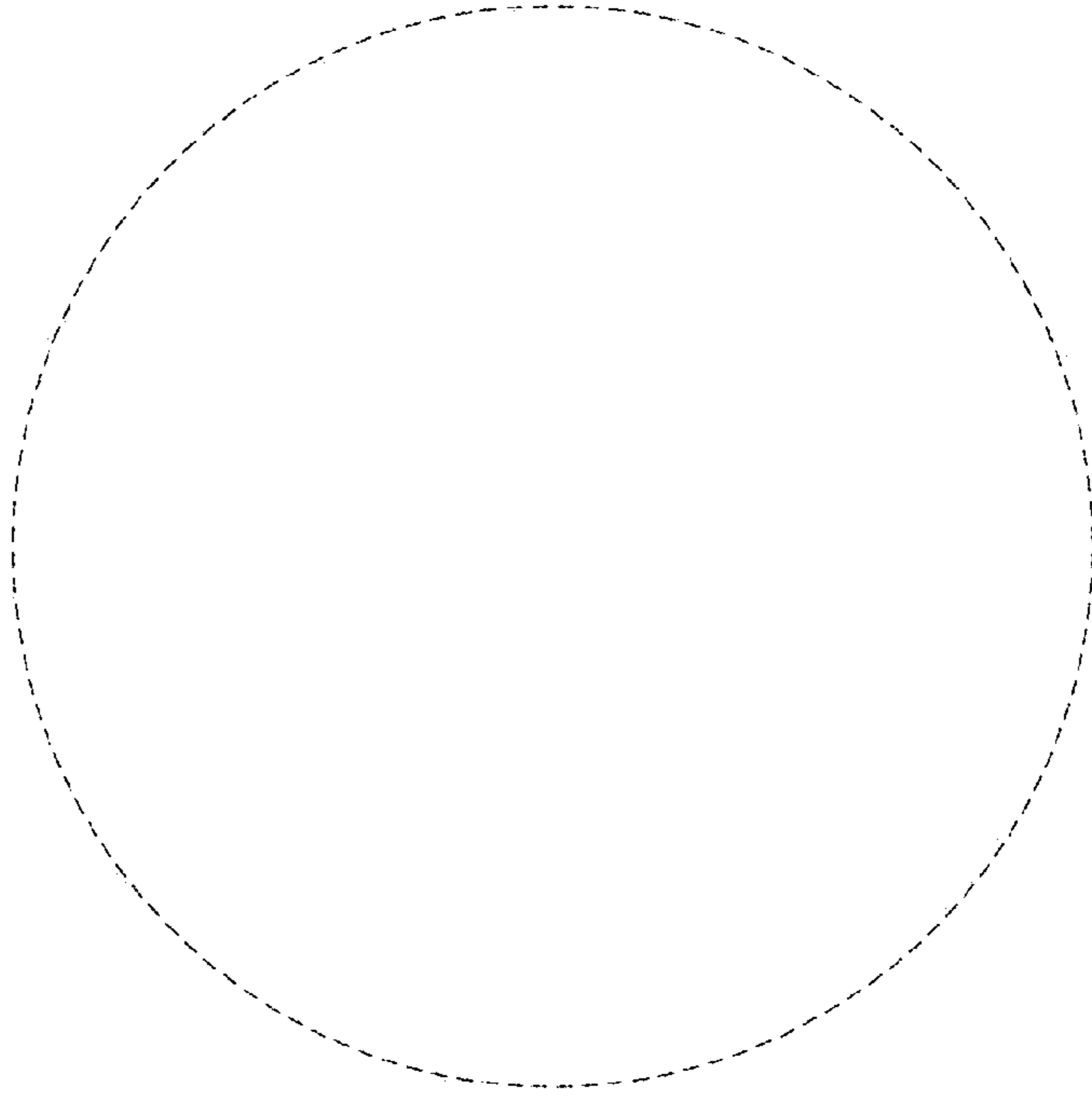


Fig. 3

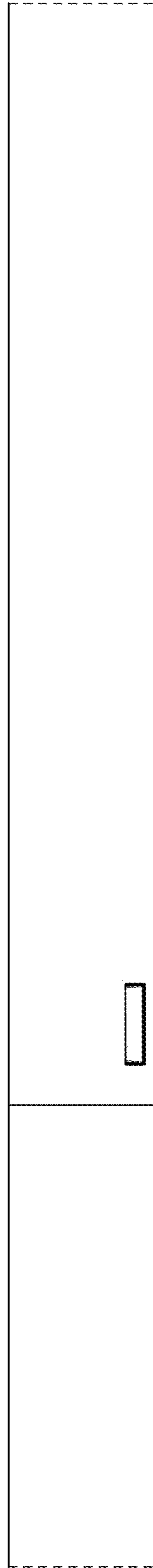


Fig. 4



Fig. 5

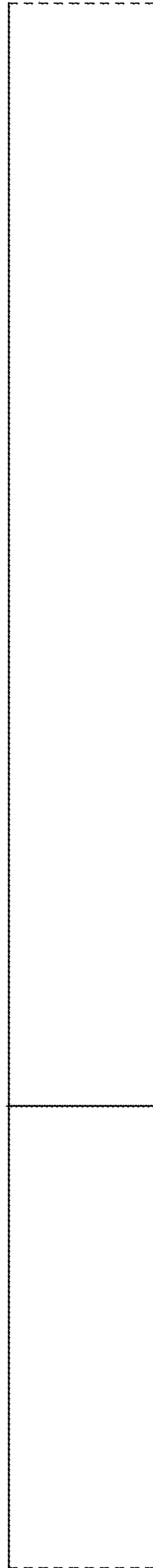


Fig. 6

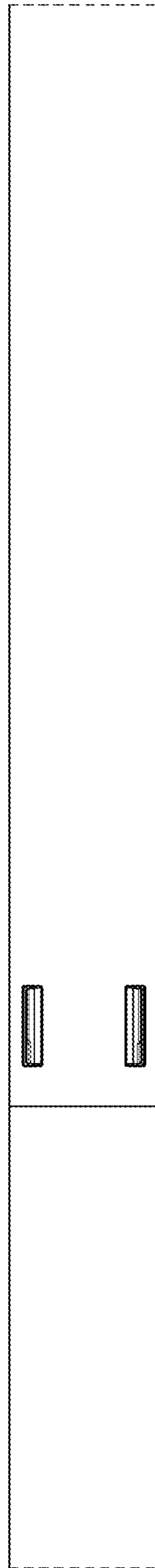


Fig. 7