



US00D760946S

(12) **United States Design Patent**
Hobson et al.

(10) **Patent No.:** **US D760,946 S**
(45) **Date of Patent:** **** Jul. 5, 2016**

(54) **LIGHT FIXTURE AND A MOUNTING ASSEMBLY THEREFOR**

(71) Applicant: **Cree, Inc.**, Durham, NC (US)

(72) Inventors: **Charles O. Hobson**, Waterford, WI (US); **Ethan Creasman**, Morrisville, NC (US); **David P. Goelz**, Milwaukee, WI (US)

(73) Assignee: **Cree, Inc.**, Durham, NC (US)

(**) Term: **14 Years**

(21) Appl. No.: **29/487,957**

(22) Filed: **Apr. 14, 2014**

(51) **LOC (10) Cl.** **26-99**

(52) **U.S. Cl.**
USPC **D26/142**

(58) **Field of Classification Search**
USPC D26/71, 76, 78, 79, 80, 81, 82, 83, 85, D26/86, 88, 90, 92, 113, 118, 119, 120, 121, D26/122, 138, 139, 140, 141, 142
CPC F21S 2/00; F21S 4/00; F21S 4/003; F21S 4/005; F21S 4/006; F21S 4/007; F21S 4/008; F21S 6/00; F21S 8/00; F21S 8/024; F21S 8/026; F21S 8/031; F21S 8/033; F21S 8/035-8/037; F21S 8/04; F21S 8/043; F21S 8/063

See application file for complete search history.

(56) **References Cited**

U.S. PATENT DOCUMENTS

D49,999 S	12/1916	Moritz
2,254,790 A	9/1941	Benton
2,345,393 A	3/1944	Heyermans
D155,488 S	10/1949	Crockett
D162,639 S	3/1951	Fiori
D173,139 S	10/1954	Black
2,895,137 A	7/1959	Simpson et al.
2,974,920 A	3/1961	Spaulding

D200,593 S	3/1965	Pettengill
D203,294 S	12/1965	Cianca
3,489,384 A	1/1970	Perbal
D219,546 S	12/1970	Kaiser et al.
D234,712 S	4/1975	Kennedy et al.
4,228,489 A	10/1980	Martin
4,543,007 A	9/1985	Quiogue
4,931,917 A	6/1990	Scherf et al.
D319,702 S	9/1991	Kane

(Continued)

Primary Examiner — George D Kirschbaum

Assistant Examiner — Natasha Vujcic

(74) *Attorney, Agent, or Firm* — Jansson Munger; McKinley & Kirby Ltd.

(57) **CLAIM**

The ornamental design for a light fixture and a mounting assembly therefor, as shown and described.

DESCRIPTION

FIG. 1 is a perspective view from below of a light fixture and a mounting assembly therefor, the middle portion of the light fixture and certain details of the mounting assembly being shown in broken lines;

FIG. 2 is a perspective view from above of the light fixture and a mounting assembly therefor of FIG. 1;

FIG. 3 is a top plan view of the light fixture and a mounting assembly therefor of FIG. 1;

FIG. 4 is a bottom plan view of the light fixture and a mounting assembly therefor of FIG. 1;

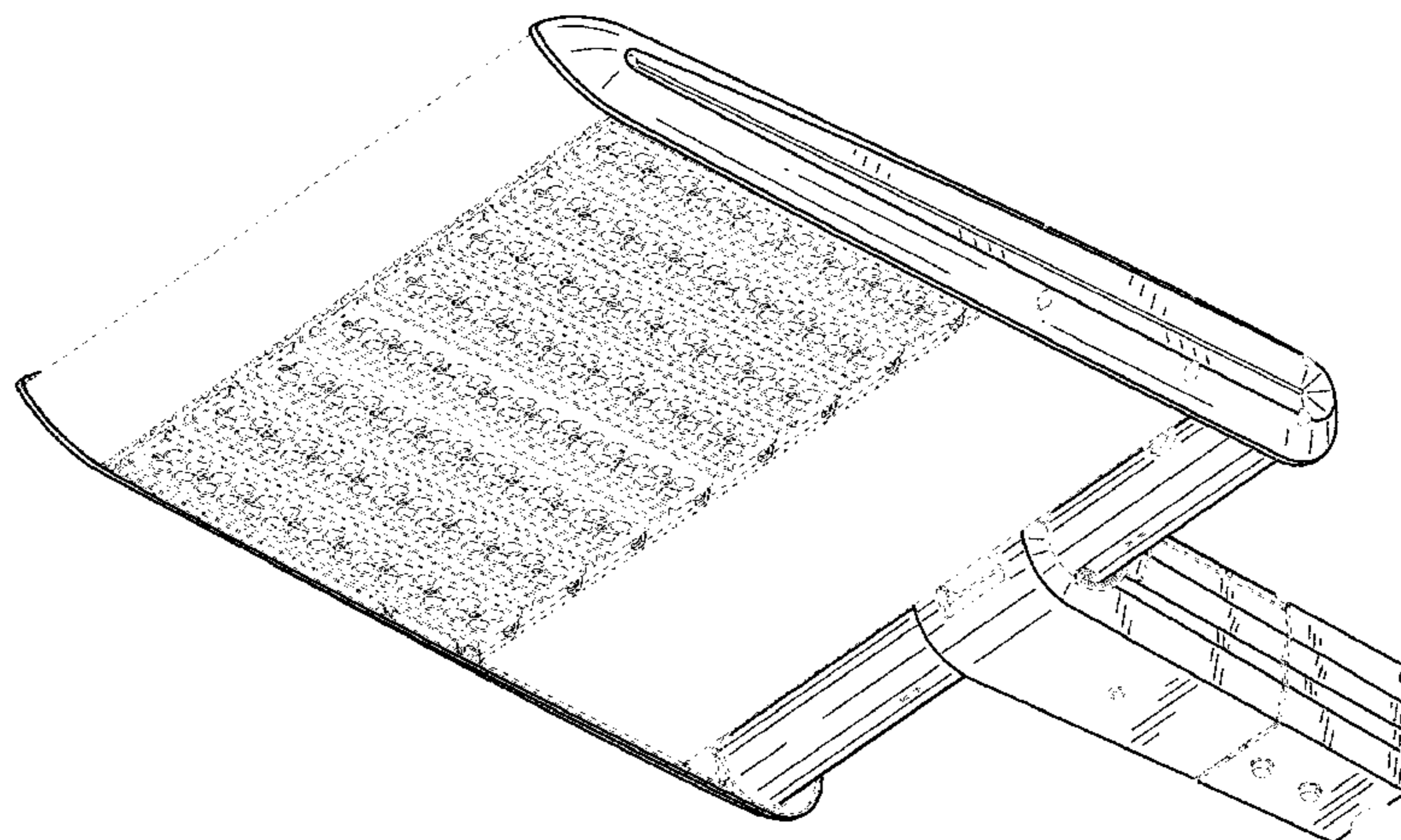
FIG. 5 is a right-side elevation of the light fixture and a mounting assembly therefor of FIG. 1, the left-side elevation view being a mirror image thereof;

FIG. 6 is a rear elevation of the light fixture and a mounting assembly therefor of FIG. 1; and,

FIG. 7 is a front elevation of the light fixture and a mounting assembly therefor of FIG. 1.

The broken lines in the drawings illustrate portions of the light fixture and a mounting assembly which form no part of the claimed design.

1 Claim, 5 Drawing Sheets



(56)

References Cited

U.S. PATENT DOCUMENTS

D354,558 S	1/1995	Marvin et al.	D573,741 S *	7/2008	Lou	D26/71
D355,722 S	2/1995	Roos et al.	D576,330 S	9/2008	Ruud et al.	
5,398,177 A	3/1995	Harwood	D577,455 S	9/2008	Zheng et al.	
5,593,225 A	1/1997	Safyan	D580,082 S	11/2008	Zemar	
D397,468 S	8/1998	Zeller	D581,080 S	11/2008	Mier-Langner	
D442,313 S	5/2001	Wojtkowiak et al.	D599,494 S	9/2009	Levine	
D449,126 S	10/2001	Zeller	D600,400 S	9/2009	Friedman	
6,467,928 B2	10/2002	Crelin	D606,697 S	12/2009	Verfuert et al.	
D479,624 S	9/2003	Svendsen et al.	D606,698 S	12/2009	Verfuert et al.	
D488,248 S	4/2004	Toyooki et al.	7,665,699 B2	2/2010	Oddsens, Jr. et al.	
6,814,473 B2	11/2004	Chen	D619,291 S	7/2010	Thevenot	
D500,885 S	1/2005	Haugaard et al.	D621,988 S	8/2010	Zheng et al.	
D501,057 S	1/2005	Haugaard et al.	D626,264 S	10/2010	Liu	
D505,220 S	5/2005	Stekelenburg	D627,093 S *	11/2010	Shiau	D26/71
7,063,451 B2	6/2006	Shen	D630,790 S	1/2011	Josefowicz et al.	
D531,342 S	10/2006	Kauffman et al.	D631,180 S	1/2011	Leroux	
D536,816 S	2/2007	Mier-Langner et al.	D634,873 S	3/2011	Guercio	
D536,817 S	2/2007	Mier-Langner et al.	D636,920 S	4/2011	Boissevain	
D537,196 S	2/2007	Summerford et al.	D638,566 S	5/2011	Goelz et al.	
D537,972 S	3/2007	Mier-Langner et al.	D641,908 S	7/2011	McKee	
D537,973 S	3/2007	Mier-Langner et al.	D660,496 S *	5/2012	Akdag	D26/71
D538,459 S	3/2007	Rose et al.	D668,370 S *	10/2012	Guercio	D26/92
D538,961 S	3/2007	Mier-Langner et al.	D676,177 S *	2/2013	Akinrele	D26/92
D539,460 S	3/2007	Mier-Langner et al.	D681,869 S	5/2013	Goelz	
D539,956 S	4/2007	Rose et al.	D688,412 S *	8/2013	Heim	D26/120
D543,657 S	5/2007	Lehman	D694,452 S *	11/2013	Goelz	D26/71
D550,885 S	9/2007	Crosby	D735,398 S *	7/2015	Bobel	D26/92
D563,013 S	2/2008	Levine	2013/0027937 A1 *	1/2013	Winters	F21S 2/00 362/362
D563,580 S	3/2008	Prazoff	2014/0104836 A1 *	4/2014	Kinnune	F21V 29/74 362/249.02
D563,582 S	3/2008	Levine	2014/0119036 A1 *	5/2014	Kinnune	F21V 21/00 362/427
D564,117 S	3/2008	Lippert	2014/0218944 A1 *	8/2014	Hobson	F21V 15/013 362/418
D570,534 S	6/2008	Wilcox et al.	2015/0316249 A1 *	11/2015	Kinnune	F21V 29/83 362/235
D570,535 S	6/2008	Kinnune et al.				
D571,032 S	6/2008	Chen				

* cited by examiner

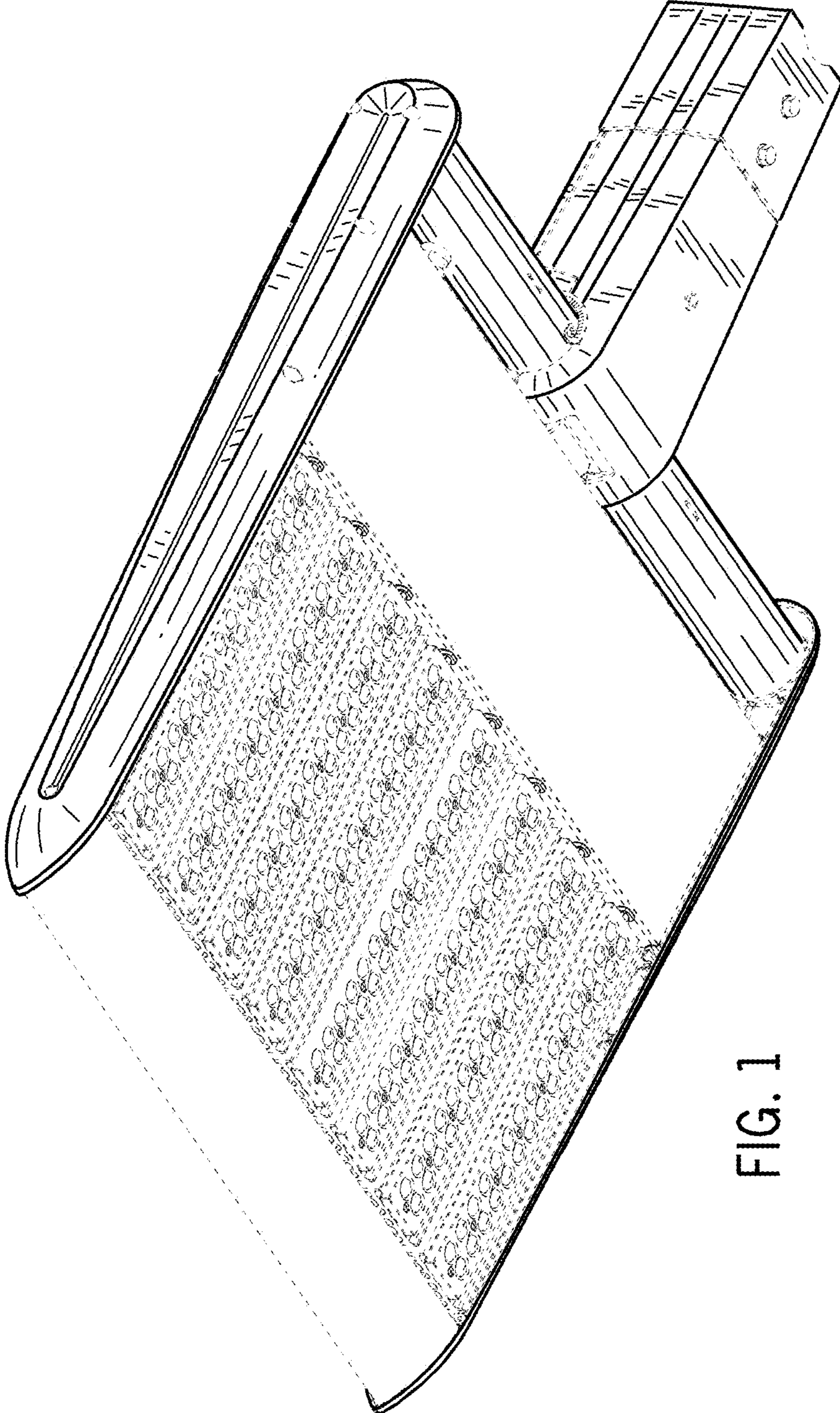


FIG. 1

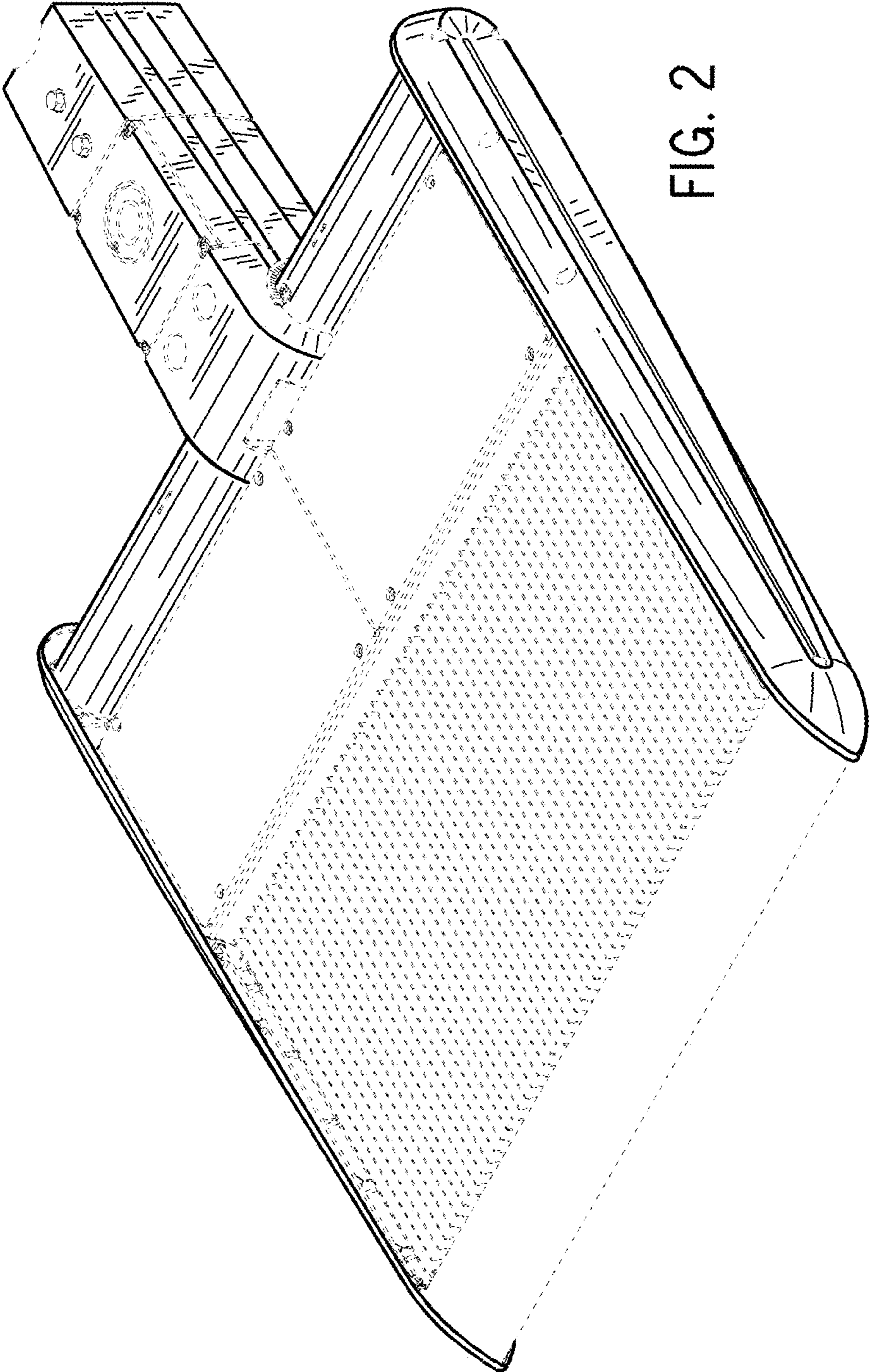
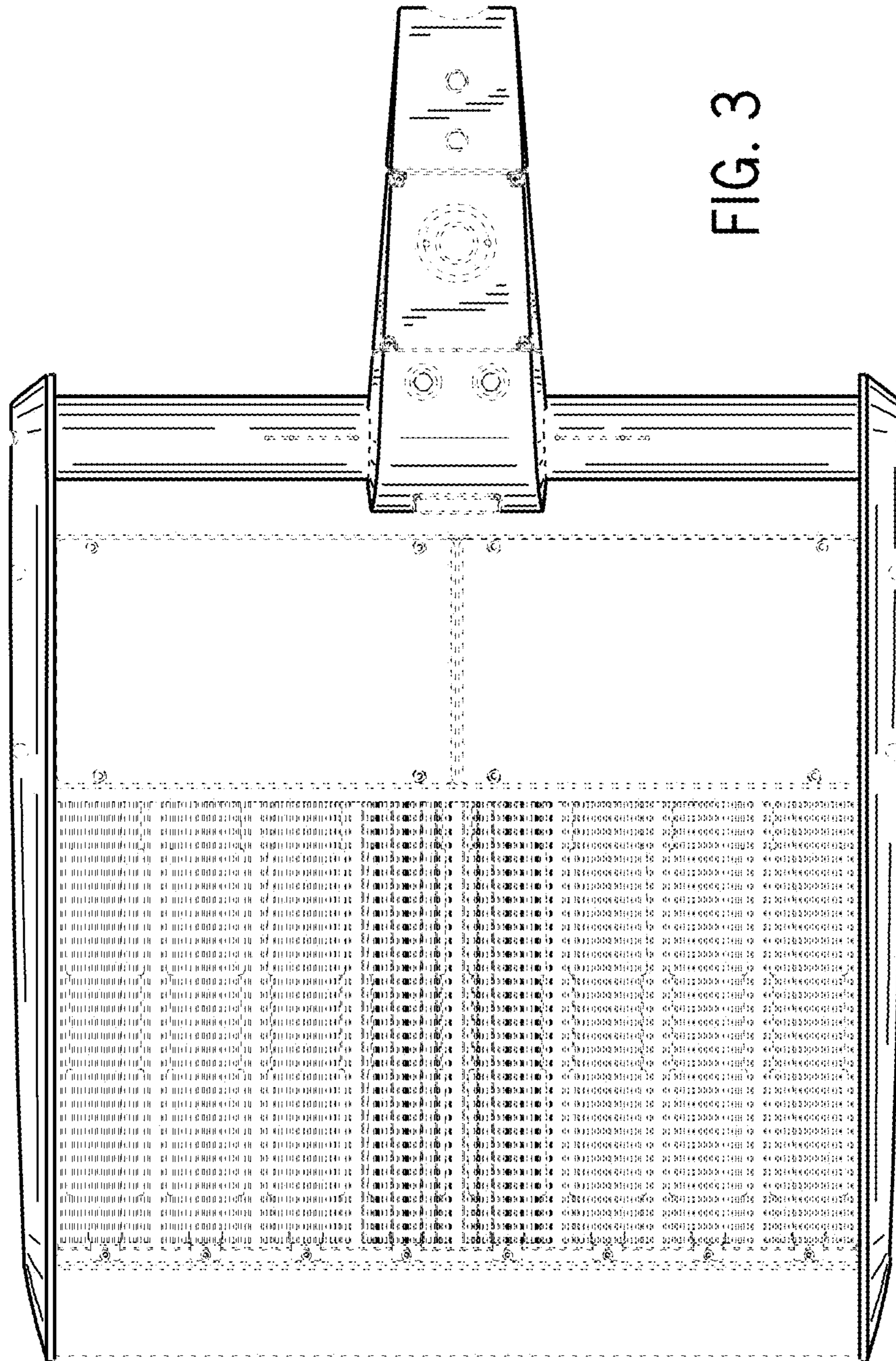


FIG. 2



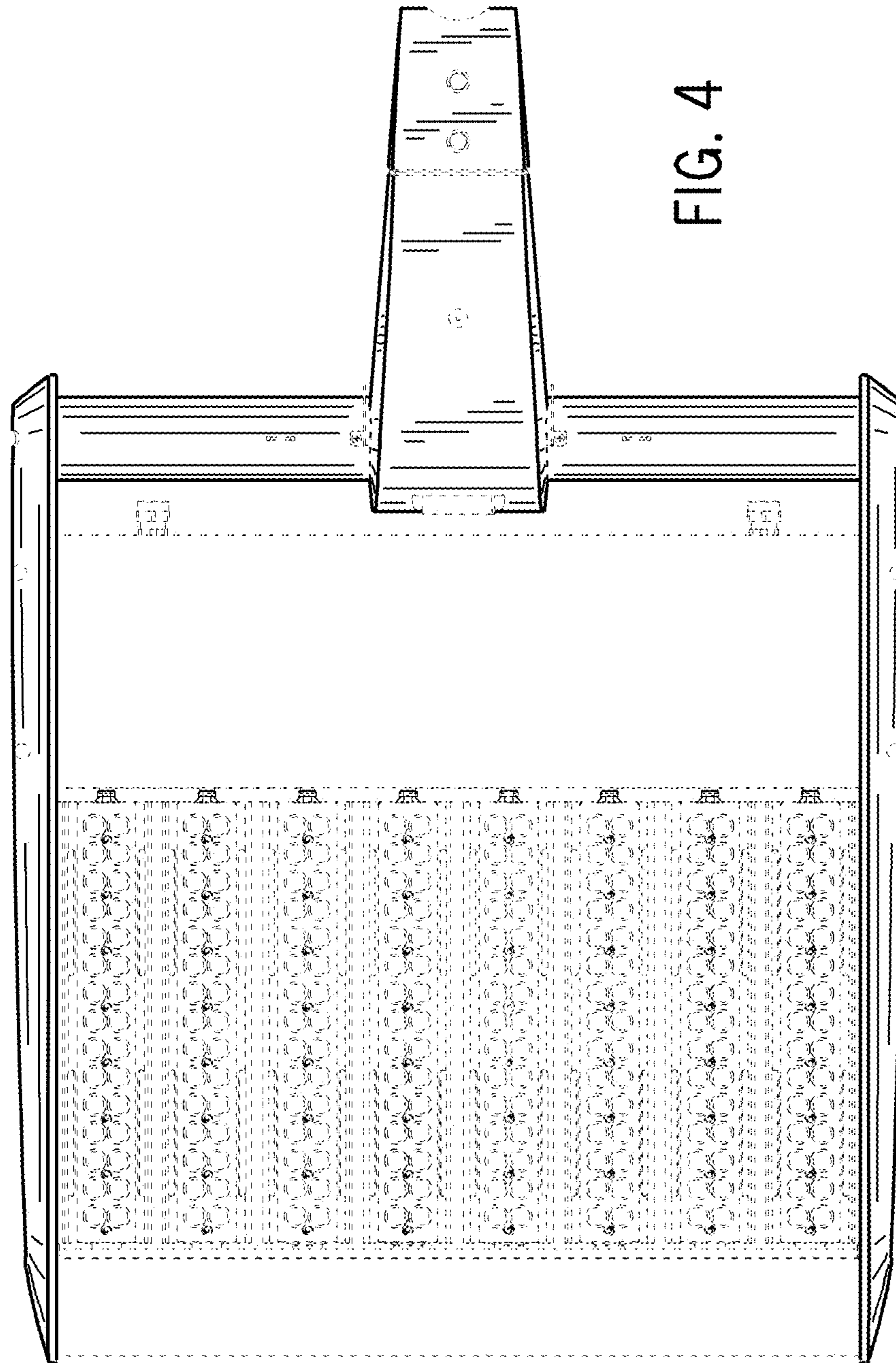


FIG. 4

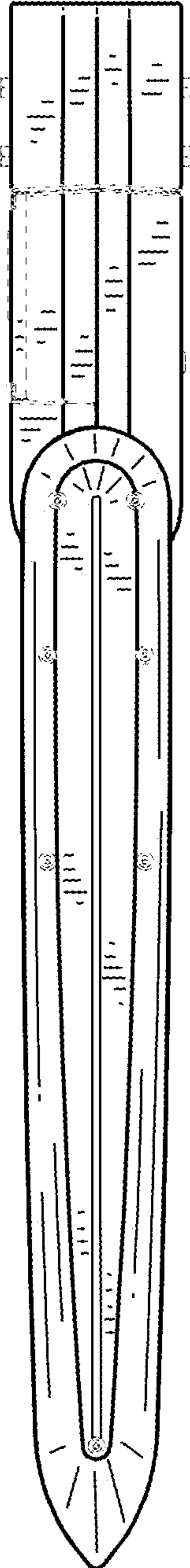


FIG. 5

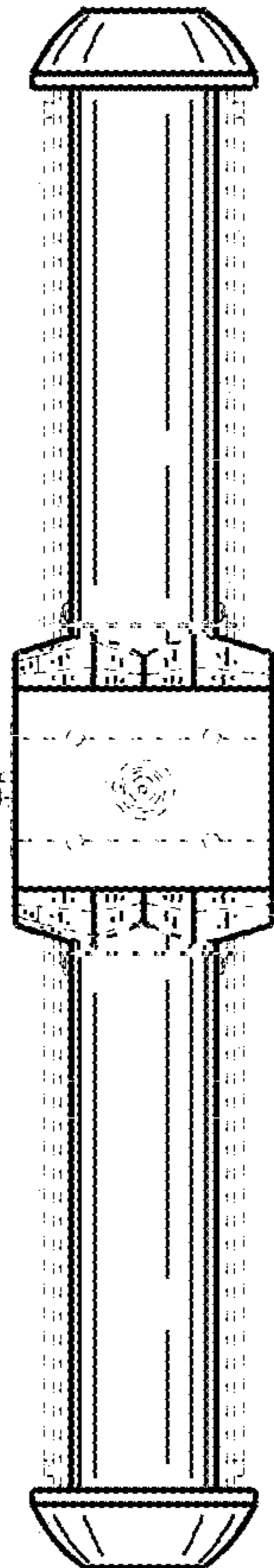


FIG. 6

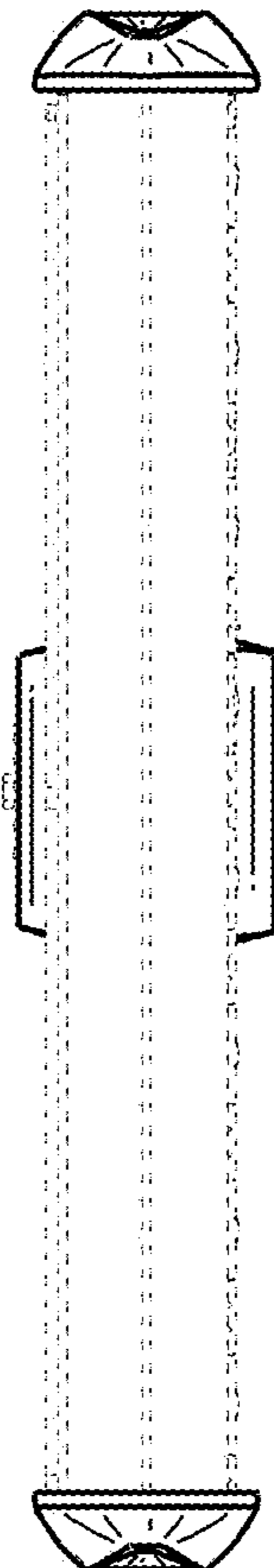


FIG. 7