



US00D760944S

(12) **United States Design Patent**
Kaminski

(10) **Patent No.:** **US D760,944 S**

(45) **Date of Patent:** **** Jul. 5, 2016**

(54) **DOWNLIGHT REFLECTOR**

(71) Applicant: **GE Lighting Solutions, LLC**, East
Cleveland, OH (US)

(72) Inventor: **Mark Kaminski**, Beachwood, OH (US)

(73) Assignee: **GE LIGHTING SOLUTIONS, LLC**,
East Cleveland, OH (US)

(**) Term: **15 Years**

(21) Appl. No.: **29/532,469**

(22) Filed: **Jul. 7, 2015**

(51) **LOC (10) Cl.** **26-99**

(52) **U.S. Cl.**
USPC **D26/118**

(58) **Field of Classification Search**
USPC D10/18, 21, 24, 25, 27, 28, 46, 93, 104,
D10/106, 113, 116.1, 121; D26/72, 113,
D26/120, 124, 138
CPC A63H 30/04; G05G 2009/04748;
H04B 1/1027; F21S 8/04; F21S 2/005;
F21S 2/00; F21V 15/015; F21V 27/00;
F21V 21/005; F21V 21/14; F21Y 2103/00;
B29D 21/04

See application file for complete search history.

(56) **References Cited**

U.S. PATENT DOCUMENTS

D370,550 S * 6/1996 Lecluze D26/118
D508,751 S * 8/2005 Rashidi D26/120
D601,295 S * 9/2009 Brown D26/118

D686,362 S * 7/2013 Melrose D26/118
D718,486 S * 11/2014 Hildebrandt D26/118
D718,488 S * 11/2014 Hildebrandt D26/118

* cited by examiner

Primary Examiner — Brian N Vinson

(74) *Attorney, Agent, or Firm* — GE Global Patent
Operation; Peter T. DiMauro

(57) **CLAIM**

I claim the ornamental design for a downlight reflector, as
shown and described.

DESCRIPTION

FIG. 1 is a perspective view of an embodiment of a downlight
reflector in accordance with our new design;

FIG. 2 is a top view thereof;

FIG. 3 is a bottom view thereof;

FIG. 4 is a front view thereof;

FIG. 5 is a back view thereof;

FIG. 6 is a right view thereof; and

FIG. 7 is a left view thereof;

FIG. 8 is a perspective view of another embodiment of a
downlight reflector in accordance with our new design;

FIG. 9 is a top view thereof;

FIG. 10 is a bottom view thereof;

FIG. 11 is a front view thereof;

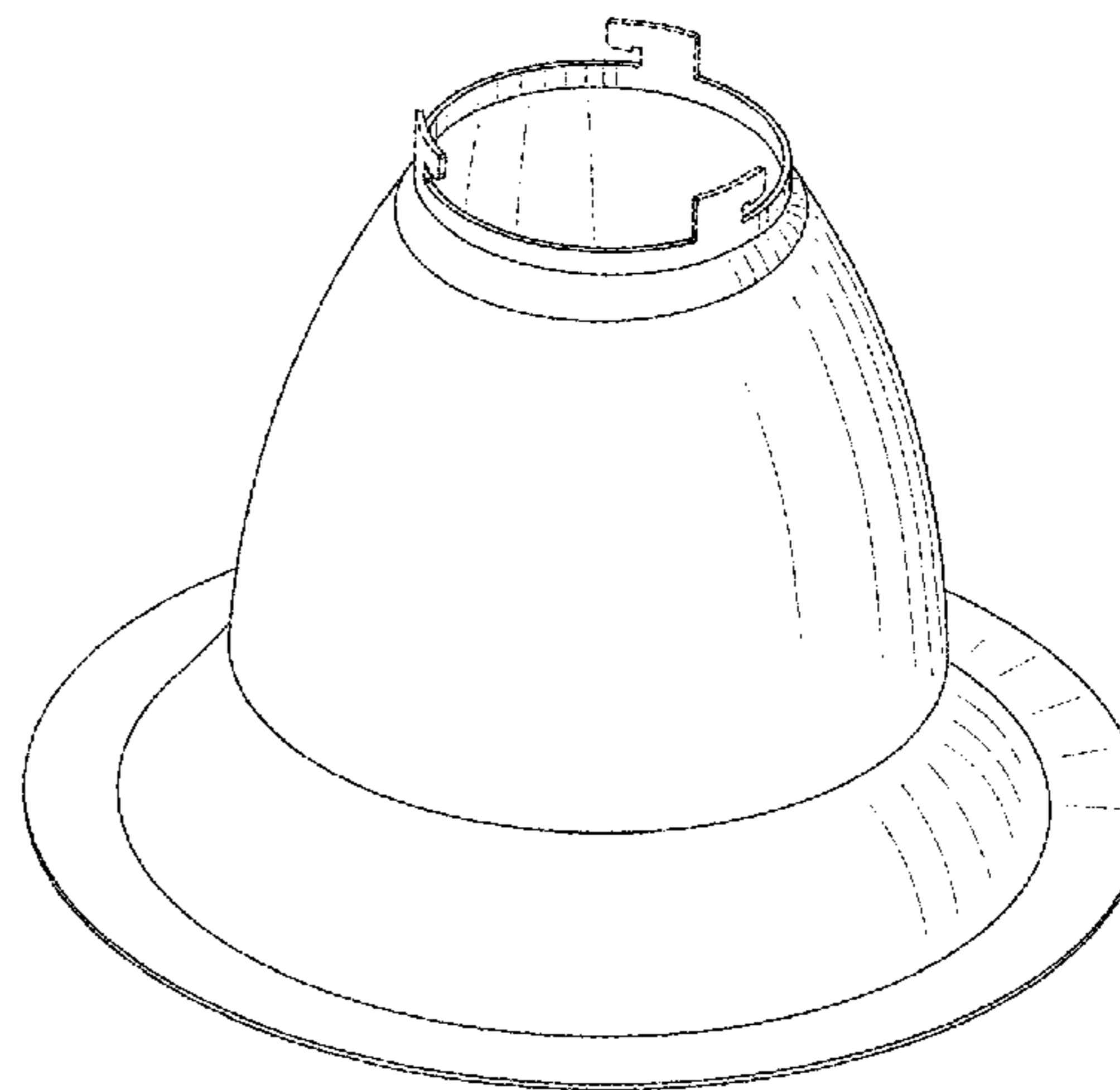
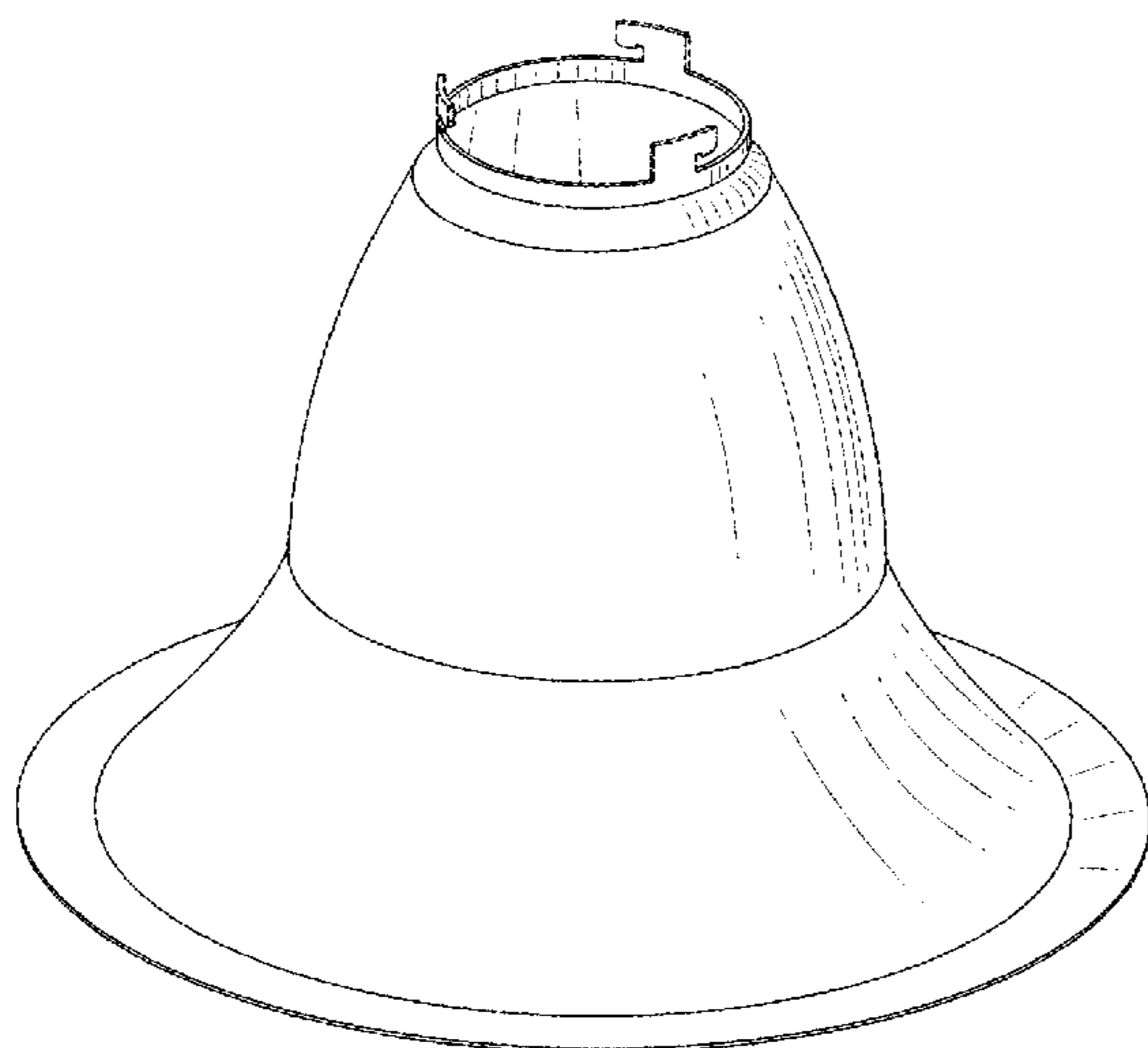
FIG. 12 is a back view thereof;

FIG. 13 is a right view thereof; and,

FIG. 14 is a left view thereof.

The broken lines illustrate portions of the downlight reflector
that form no part of the claimed design.

1 Claim, 8 Drawing Sheets



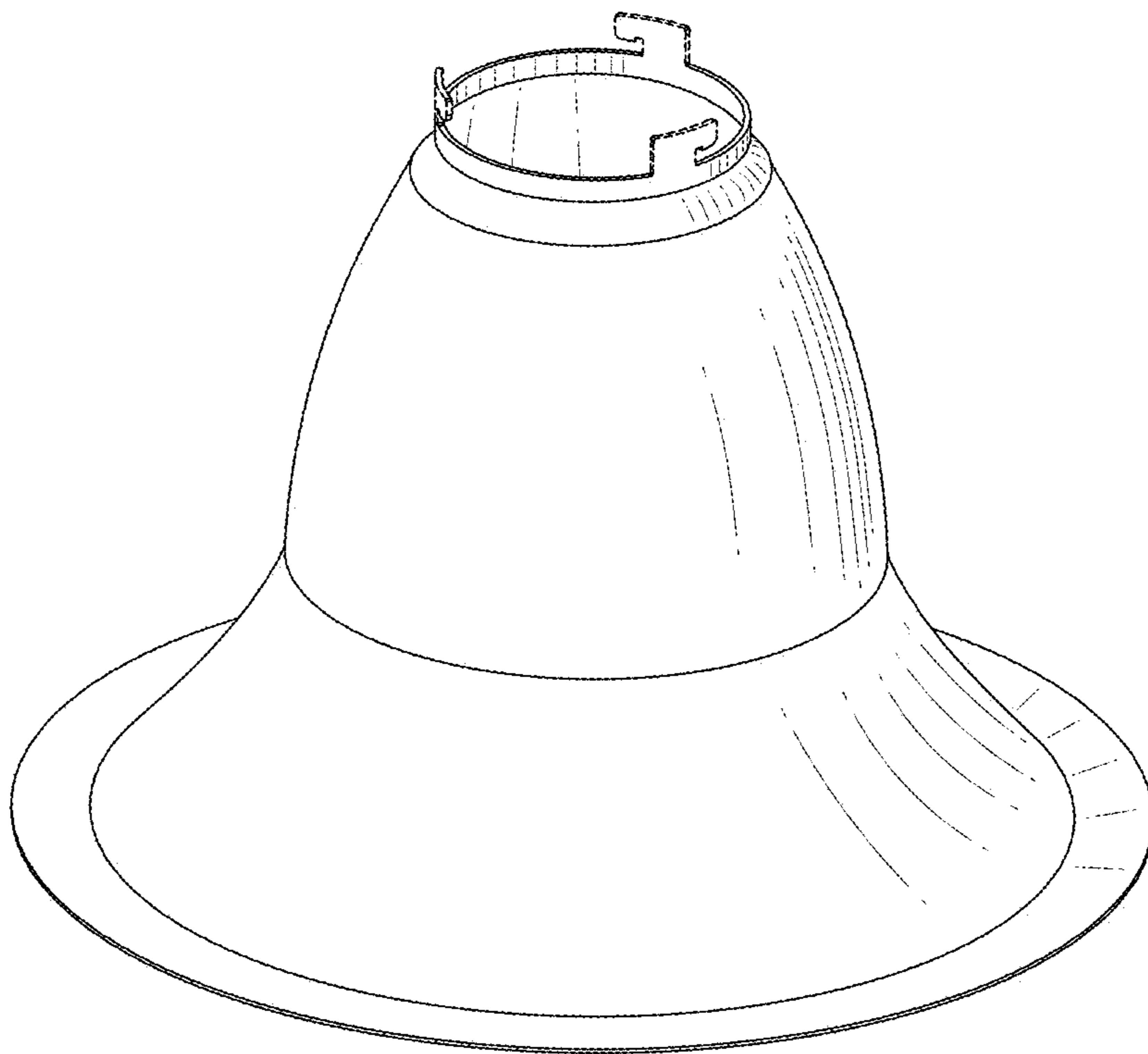


FIG. 1

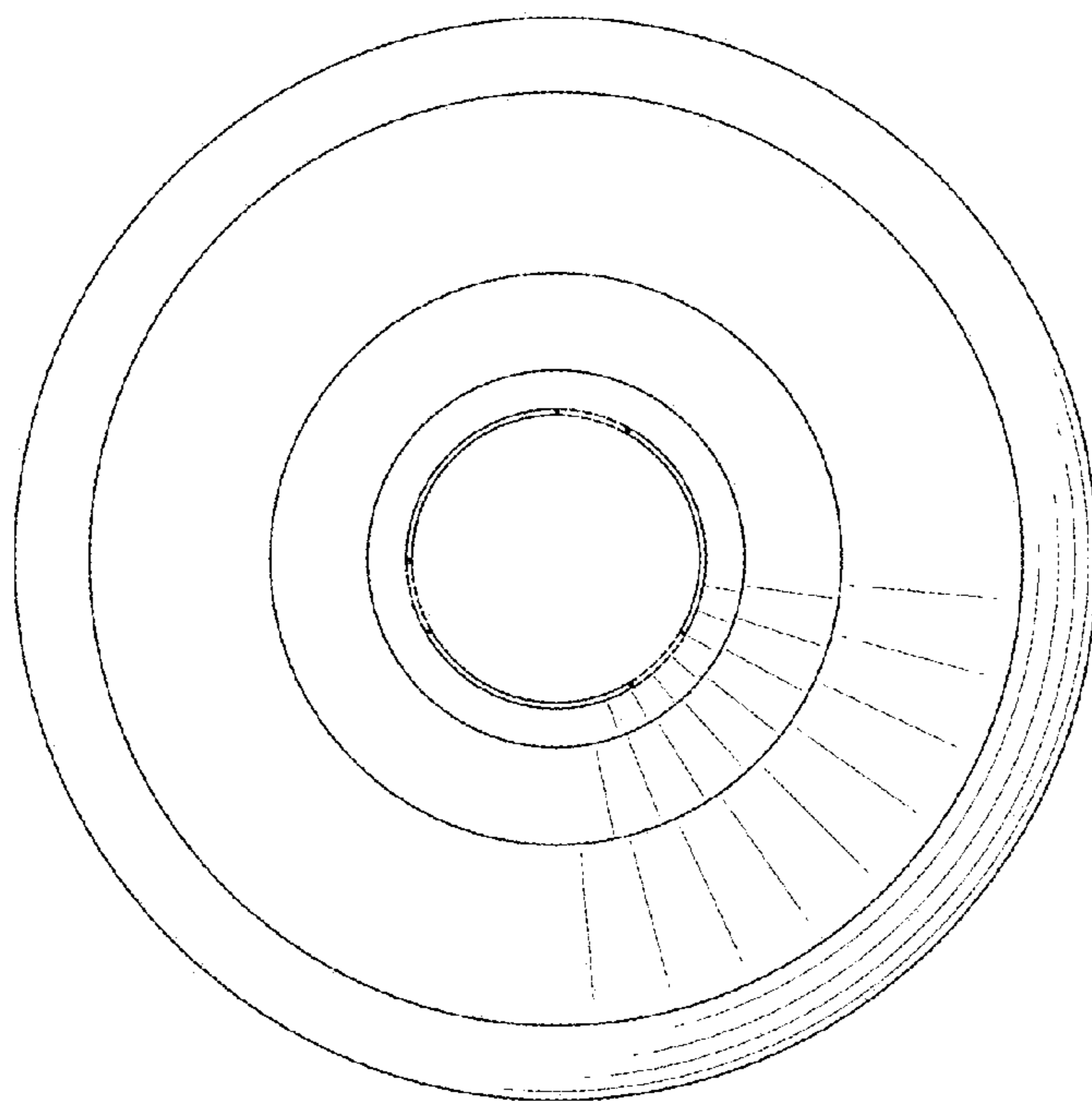


FIG. 2

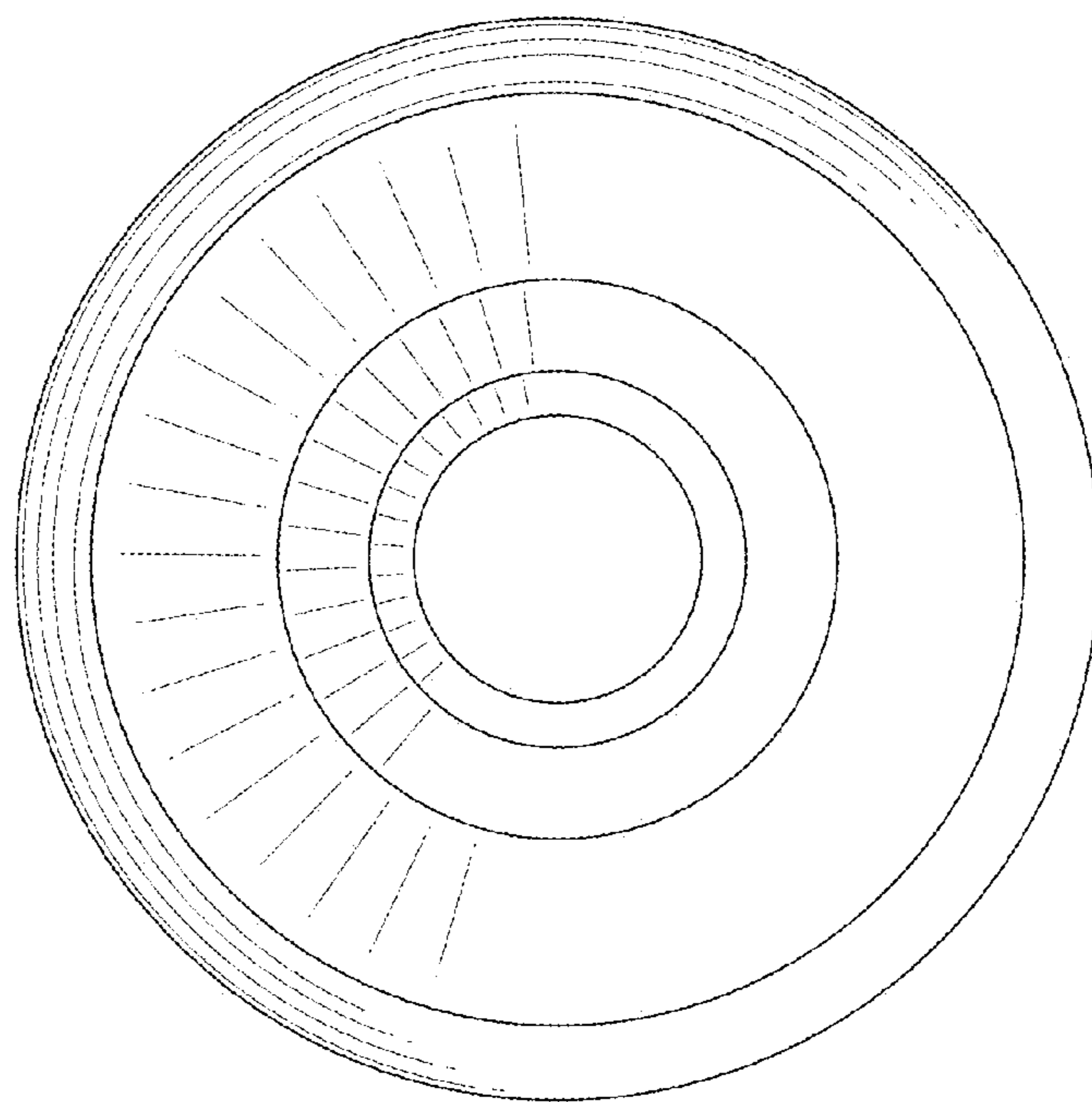


FIG. 3

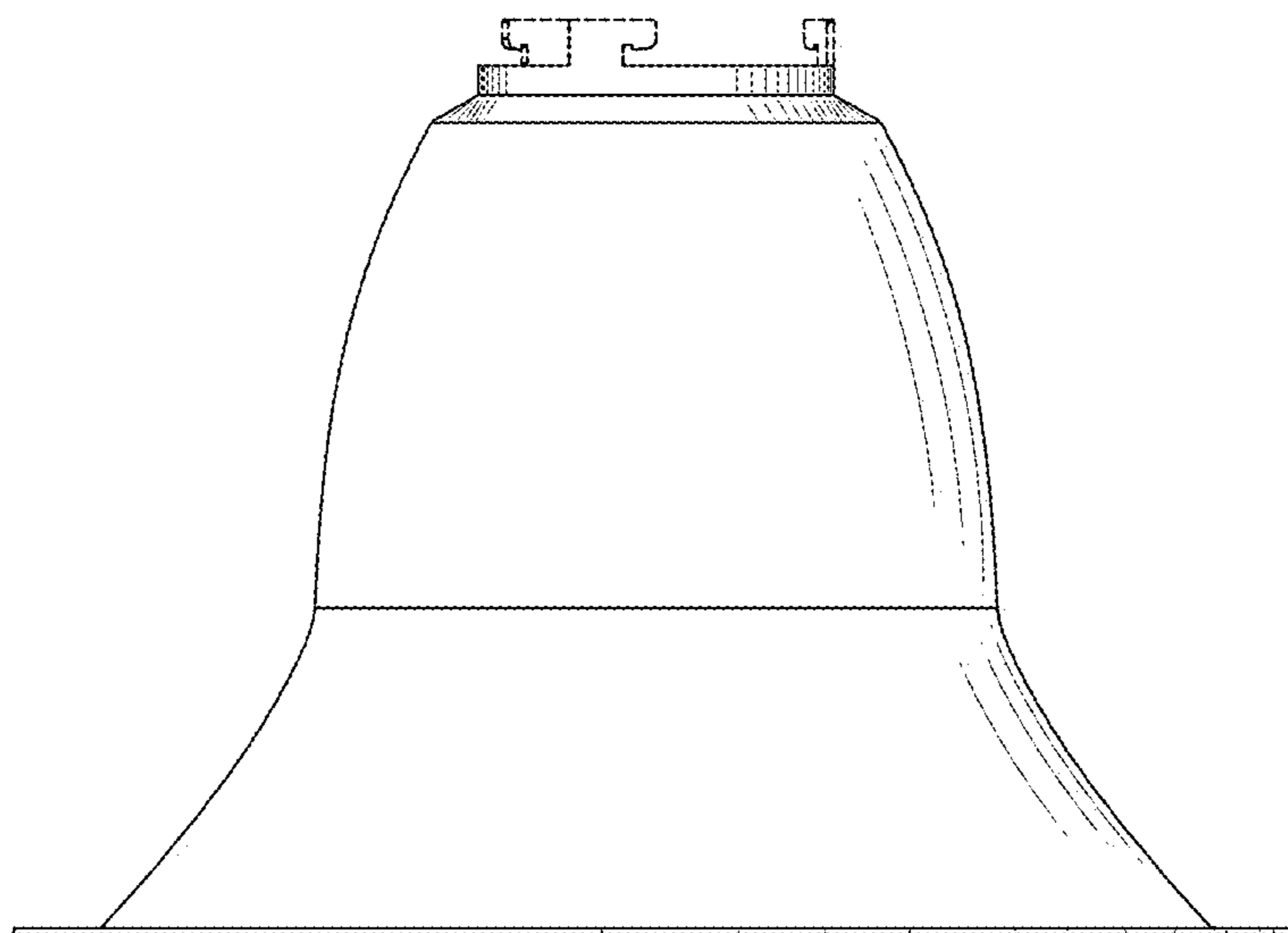


FIG. 4

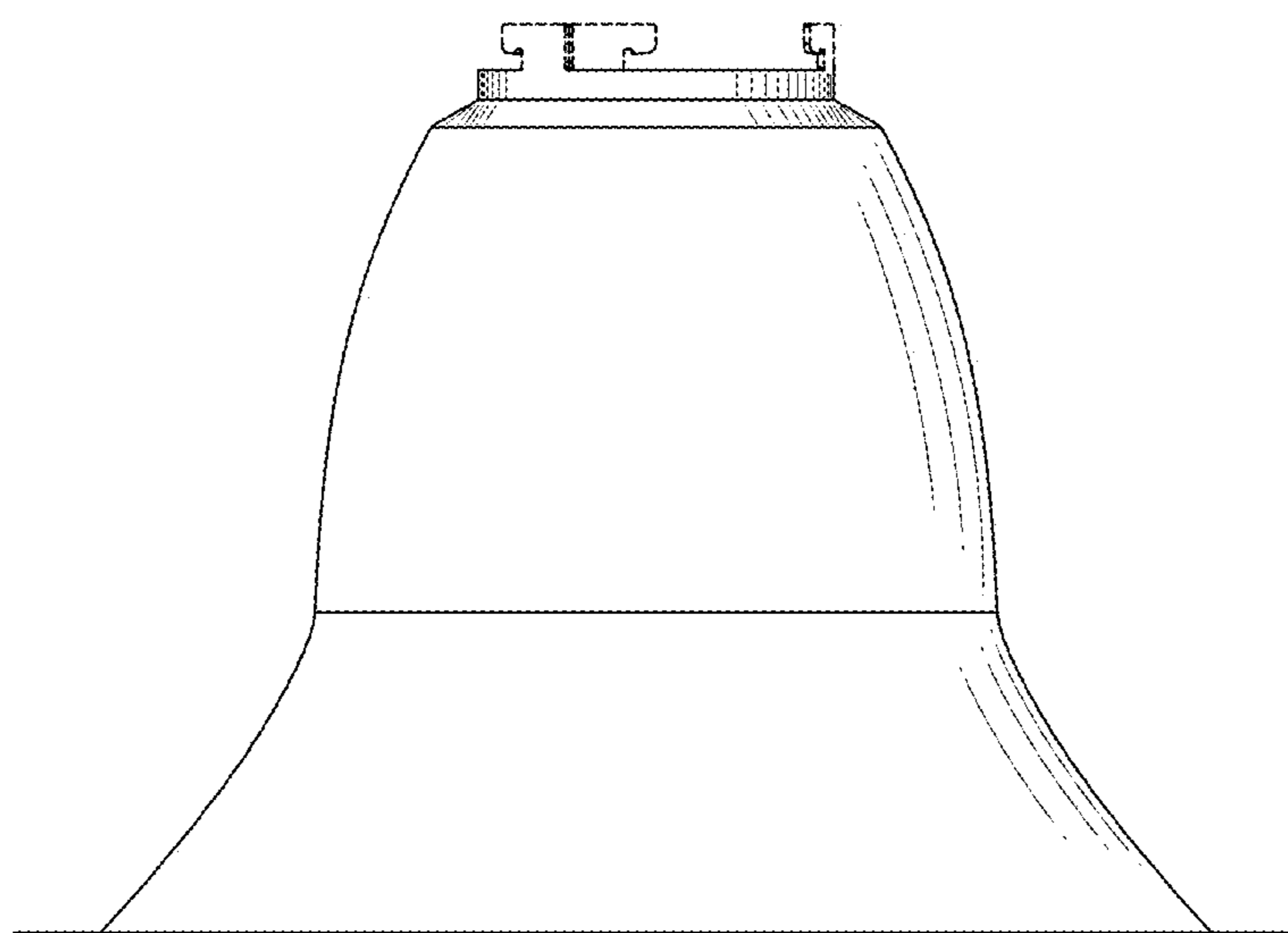


FIG. 5

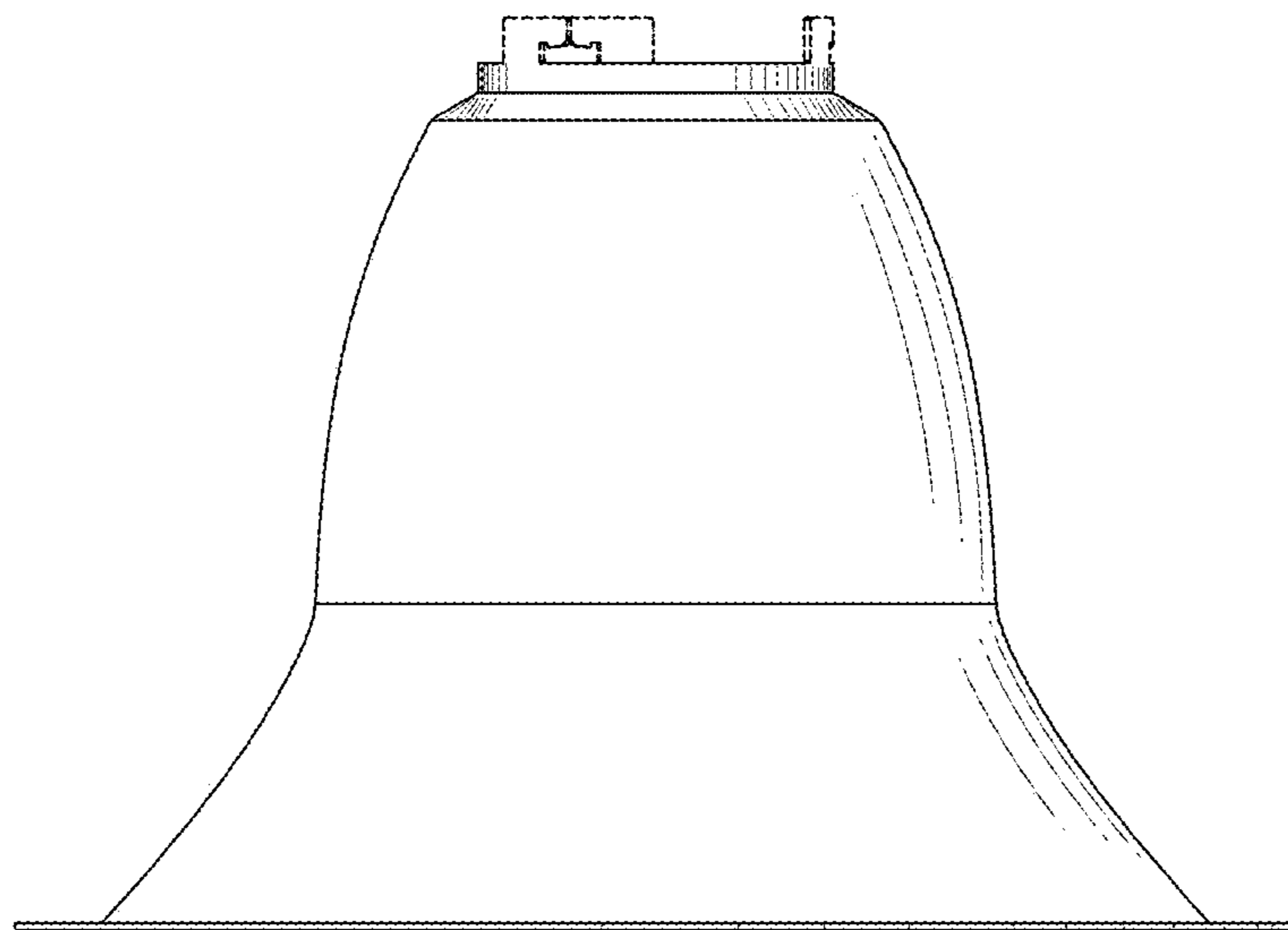


FIG. 6

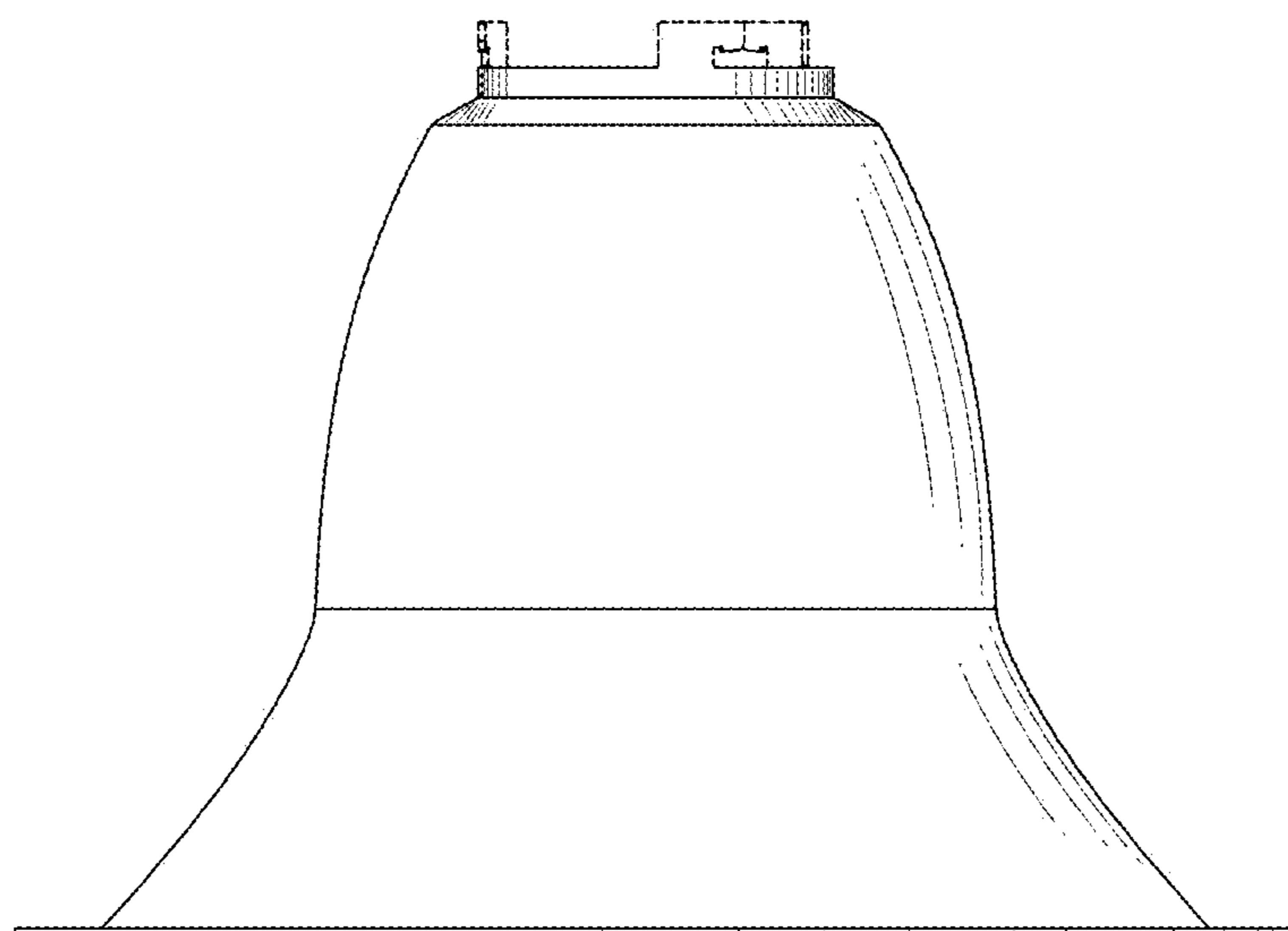


FIG. 7

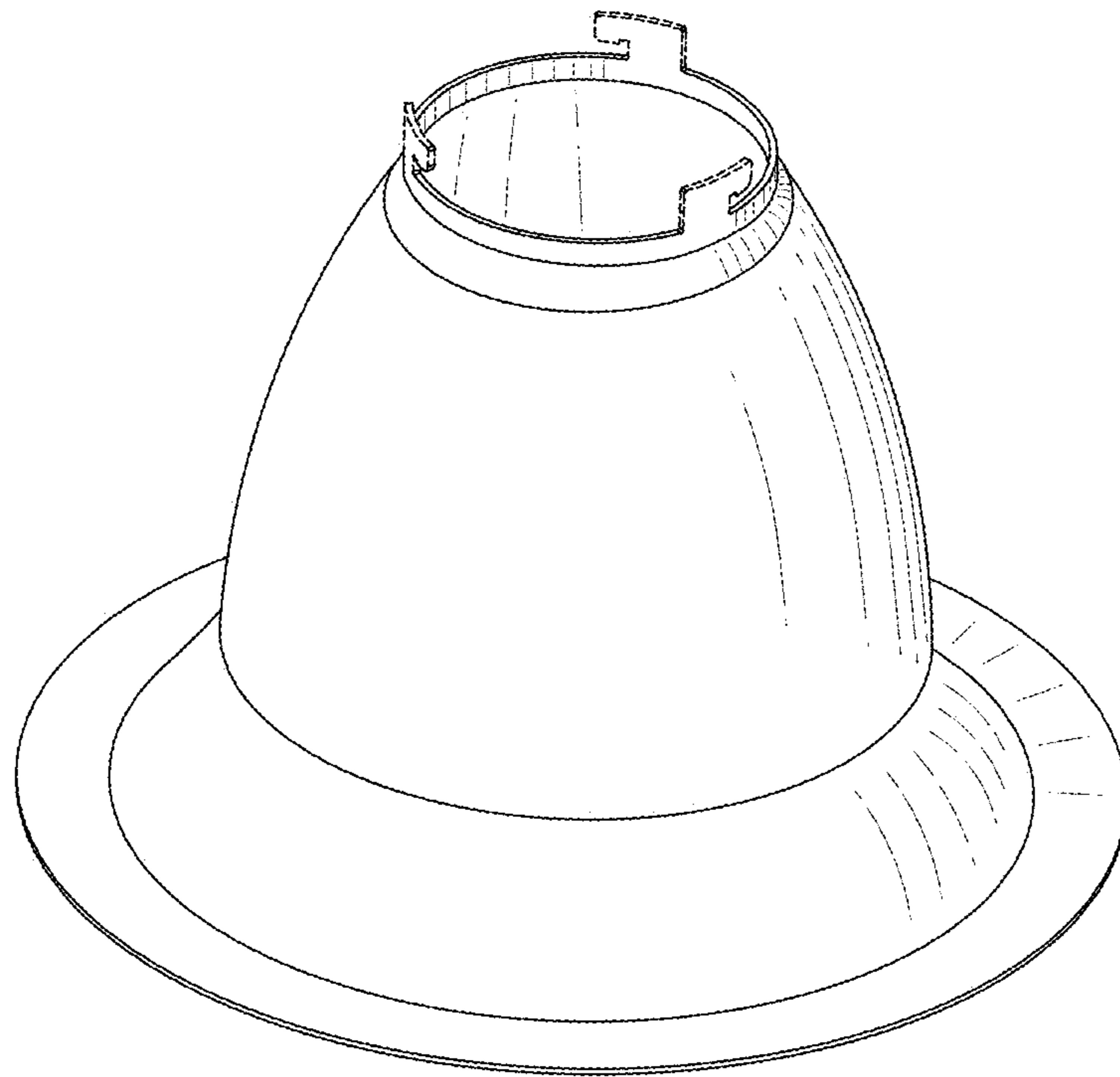


FIG. 8

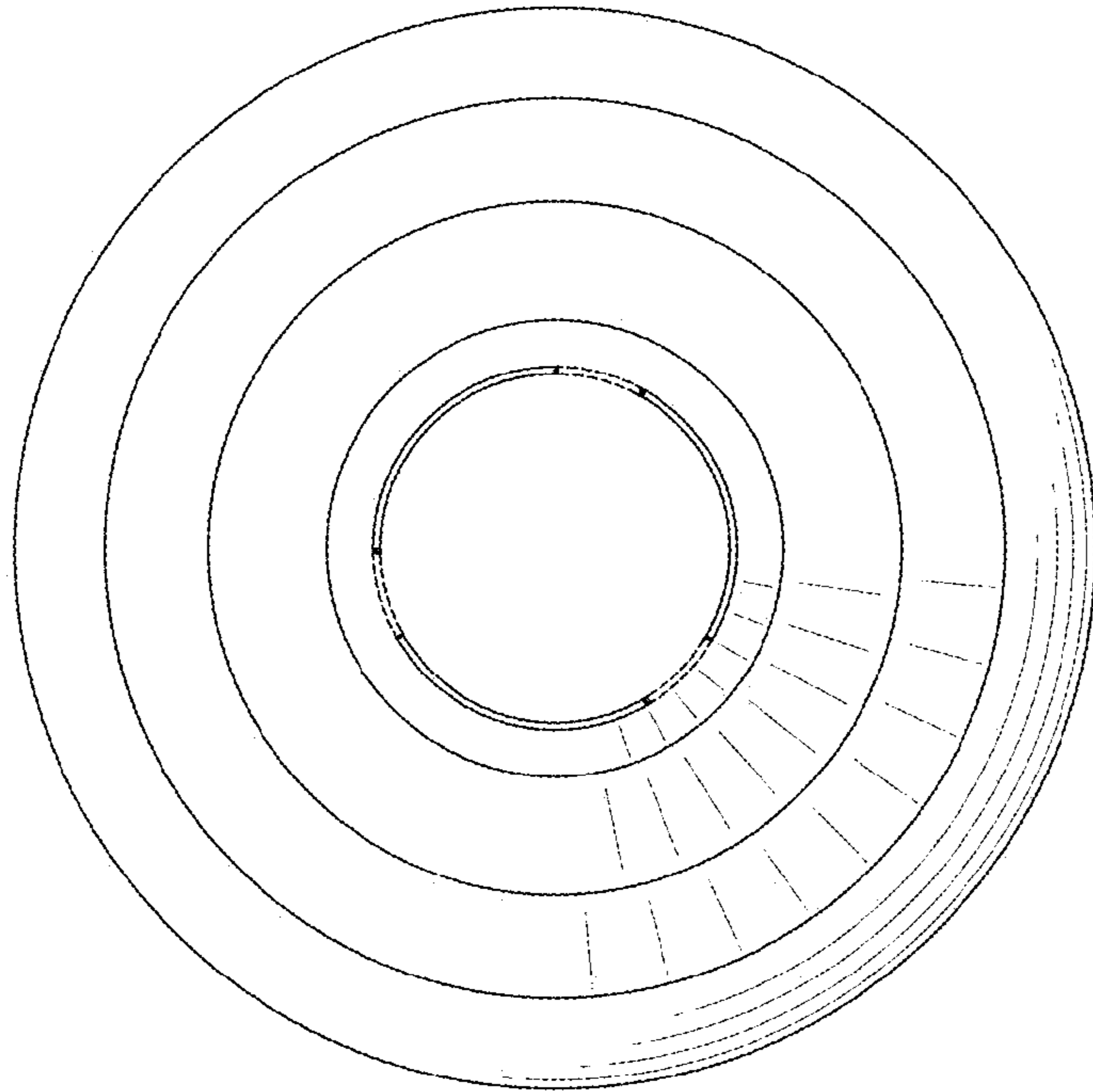


FIG. 9

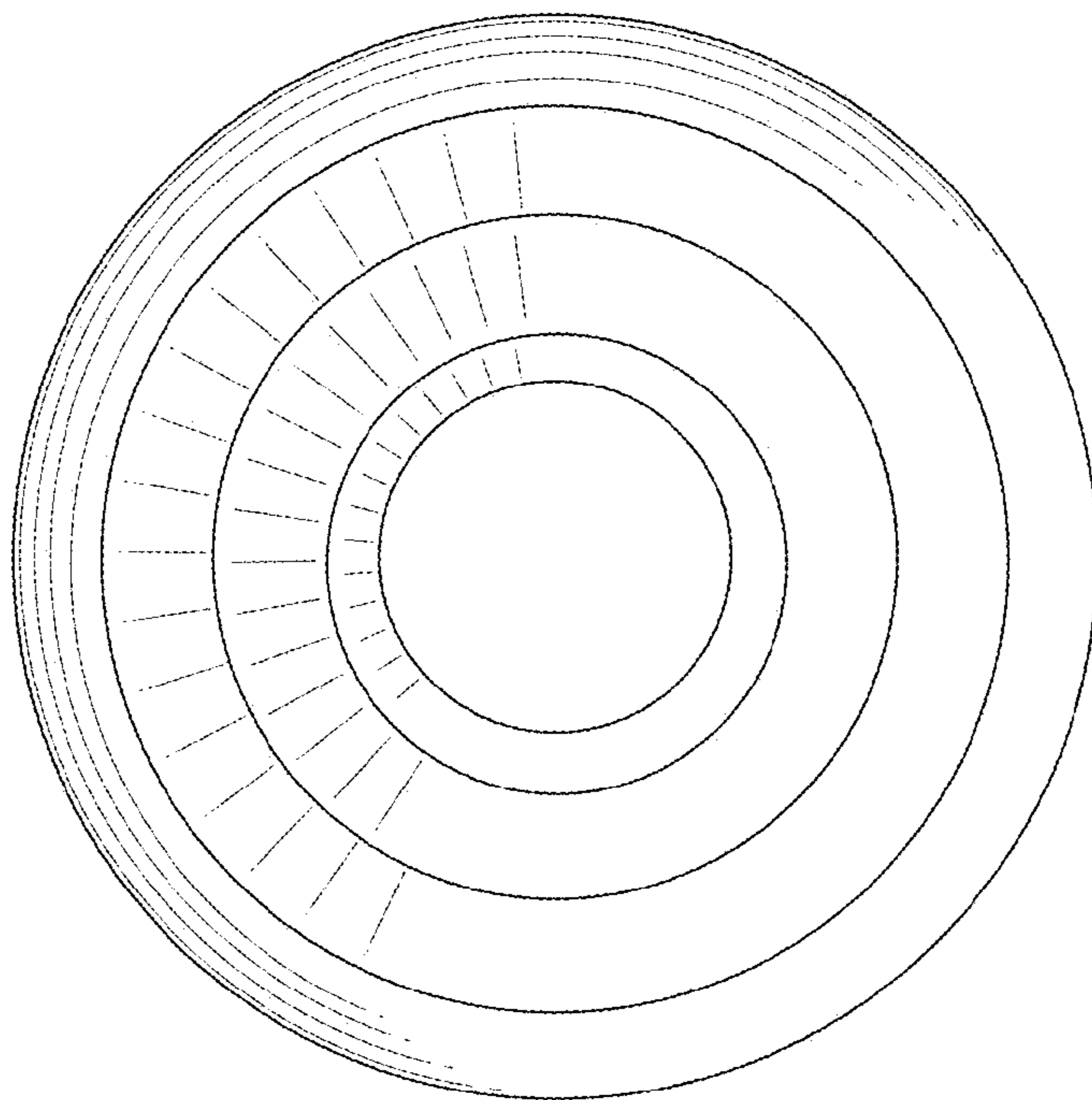


FIG. 10

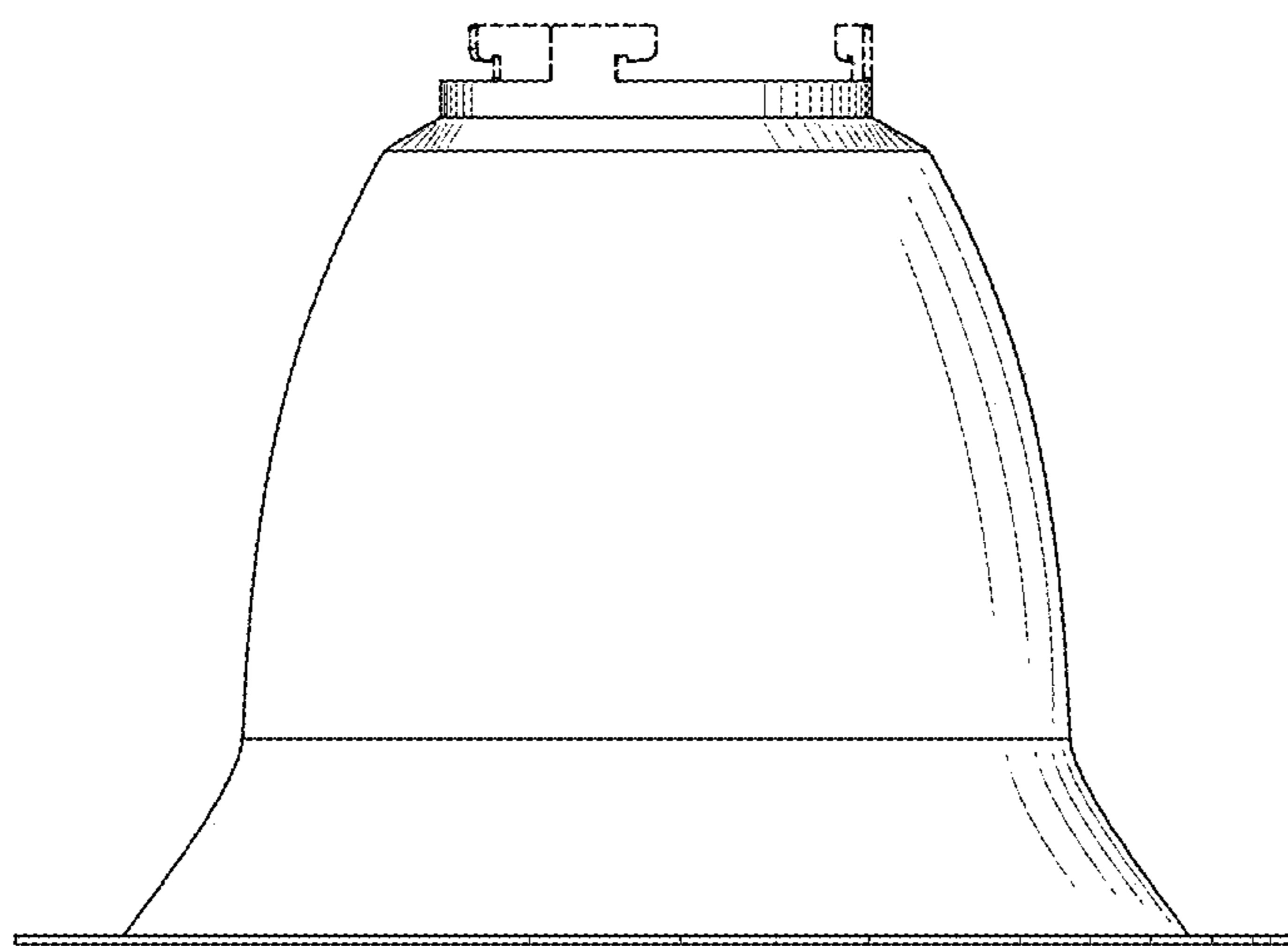


FIG. 11

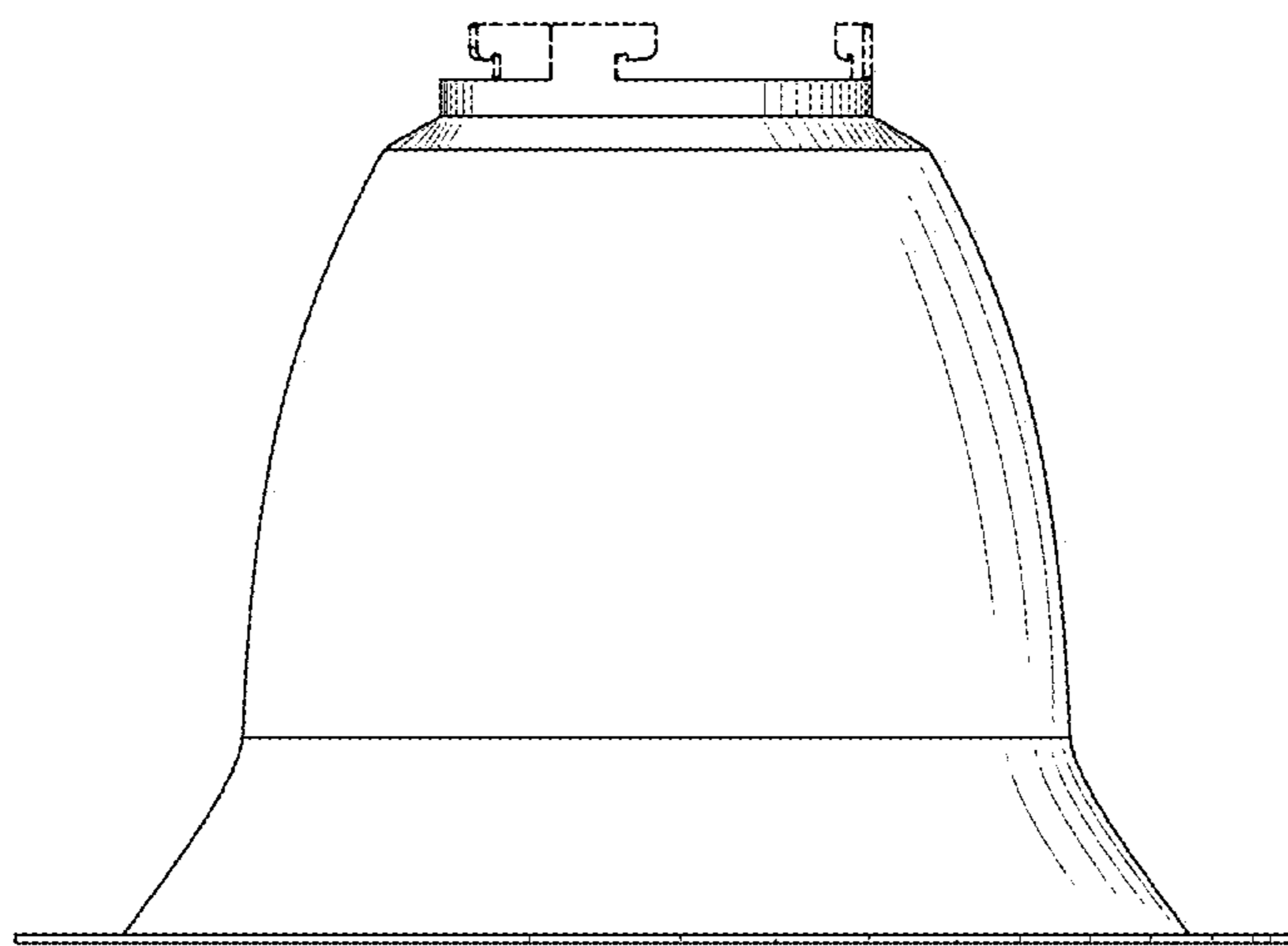


FIG. 12

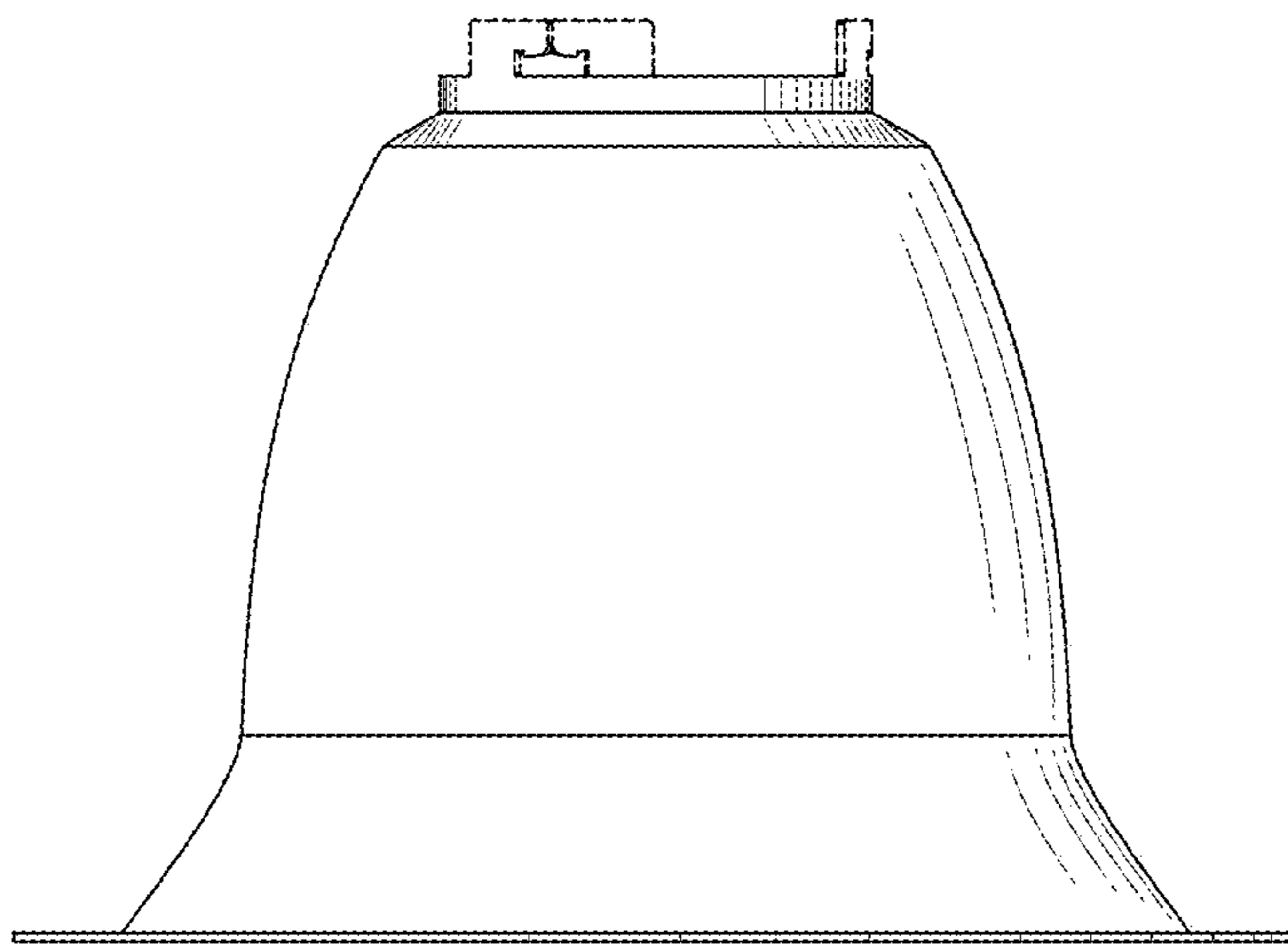


FIG. 13

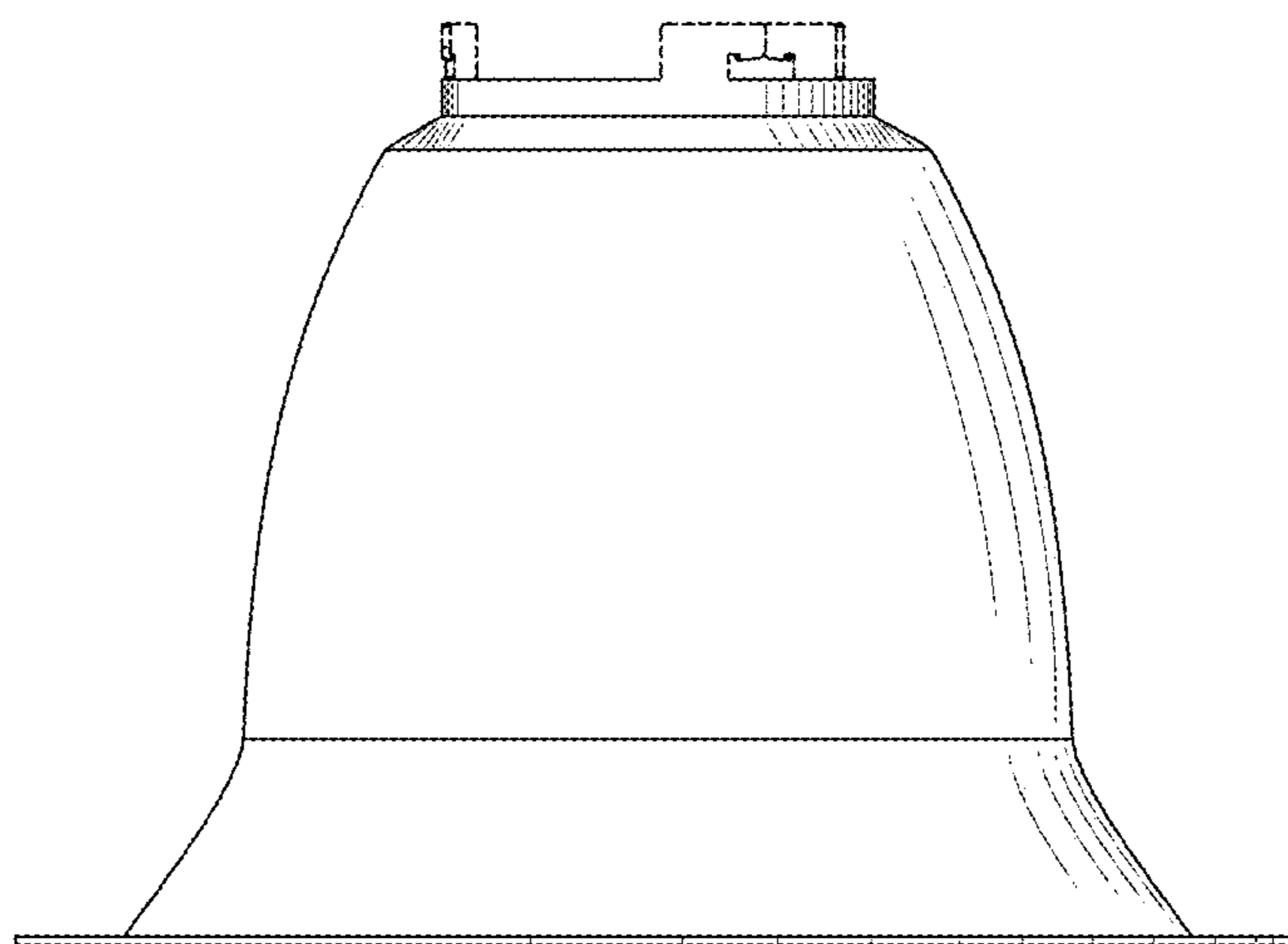


FIG. 14