

US00D760942S

(12) **United States Design Patent**
Blum et al.

(10) **Patent No.:** **US D760,942 S**
(45) **Date of Patent:** **** Jul. 5, 2016**

- (54) **LUMINAIRE**
- (71) Applicant: **ABL IP Holding, LLC**, Conyers, GA (US)
- (72) Inventors: **Darren Blum**, San Mateo, CA (US);
Peter Y. Y. Ngai, Alamo, CA (US)
- (73) Assignee: **ABL IP Holding, LLC**, Conyers, GA (US)
- (**) Term: **14 Years**
- (21) Appl. No.: **29/525,761**
- (22) Filed: **May 1, 2015**
- (51) **LOC (10) Cl.** **26-03**
- (52) **U.S. Cl.**
USPC **D26/107**; D26/71
- (58) **Field of Classification Search**
USPC D26/67-71, 92, 93, 107, 118, 120
CPC F21S 9/03; F21S 8/085; F21S 8/086;
F21S 8/043; F21S 6/002; F21S 6/003; F21W
2131/103; F21V 15/01; F21V 21/16
See application file for complete search history.

(56) **References Cited**

U.S. PATENT DOCUMENTS

D247,638 S *	3/1978	Kreusler	D26/107
D357,944 S *	5/1995	Atwell	D20/10
D382,910 S *	8/1997	Greenfield	D20/17
D598,597 S *	8/2009	Lu	D26/68
D645,197 S *	9/2011	Waldmann	D26/107
D654,212 S	2/2012	Blum et al.		
D672,914 S	12/2012	Tran et al.		
D675,772 S	2/2013	Tran et al.		
D675,773 S	2/2013	Blum et al.		
D676,997 S	2/2013	Tang et al.		
D679,858 S	4/2013	Tran et al.		
8,430,530 B2	4/2013	Aurongzeb et al.		
D698,967 S *	2/2014	Rangesh	D26/71
D701,991 S	4/2014	Blum et al.		

D703,864 S	4/2014	Blum et al.		
D711,031 S *	8/2014	Moghal	D26/107
D711,032 S *	8/2014	Moghal	D26/107
D713,589 S	9/2014	Blum et al.		
D713,591 S	9/2014	Blum et al.		
D720,879 S	1/2015	Blum et al.		
D730,560 S	5/2015	Tran et al.		
D732,223 S *	6/2015	Ahrari	D26/71

(Continued)

OTHER PUBLICATIONS

Visionox prototype desk lamps shown in Figure 2 of “The Future of OLED Lighting” published in LED Professional—LED Lighting Technology Jul. 21, 2010. <http://www.led-professional.com/technology/light-generation/the-future-of-oled-lighting>.*

(Continued)

Primary Examiner — Clare E Heflin

(74) *Attorney, Agent, or Firm* — Beeson Skinner Beverly, LLP

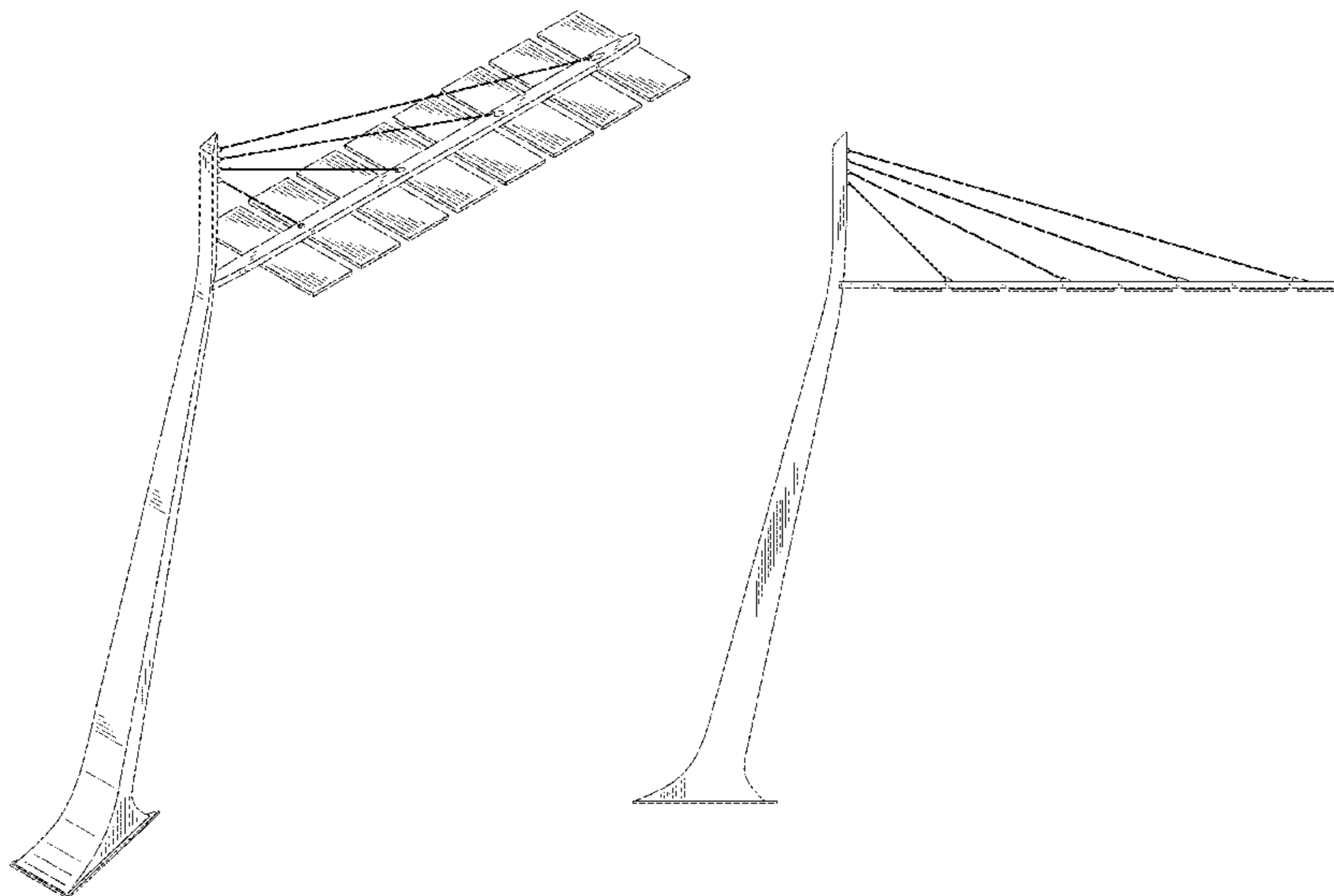
(57) **CLAIM**

The ornamental design for a luminaire, as shown and described.

DESCRIPTION

FIG. 1 is a bottom front perspective view of a luminaire showing our new design;
 FIG. 2 is a top rear perspective view thereof;
 FIG. 3 is a left side elevational view thereof, the right side being a mirror image;
 FIG. 4 is front elevational view thereof;
 FIG. 5 is a rear elevational view thereof;
 FIG. 6 is a top plan view thereof; and,
 FIG. 7 is a bottom plan view thereof.
 The broken line triangles shown at the foot of the luminaire in FIGS. 1 and 7 are boundary lines; the area within the boundary lines form no part of the claimed design.

1 Claim, 4 Drawing Sheets



US D760,942 S

Page 2

(56)

References Cited

U.S. PATENT DOCUMENTS

D732,726 S * 6/2015 Cuthbert D26/107
D733,351 S * 6/2015 Cuthbert D26/107
2012/0306382 A1* 12/2012 Maxik F21S 2/00
315/152
2013/0107555 A1* 5/2013 Quinn F21L 4/08
362/485

2013/0294067 A1* 11/2013 Engel-Hall F21V 21/15
362/233
2016/0018074 A1* 1/2016 Diamond F21S 8/085
362/183

OTHER PUBLICATIONS

Design U.S. Appl. No. 29/525,766, filed May 1, 2015.

* cited by examiner

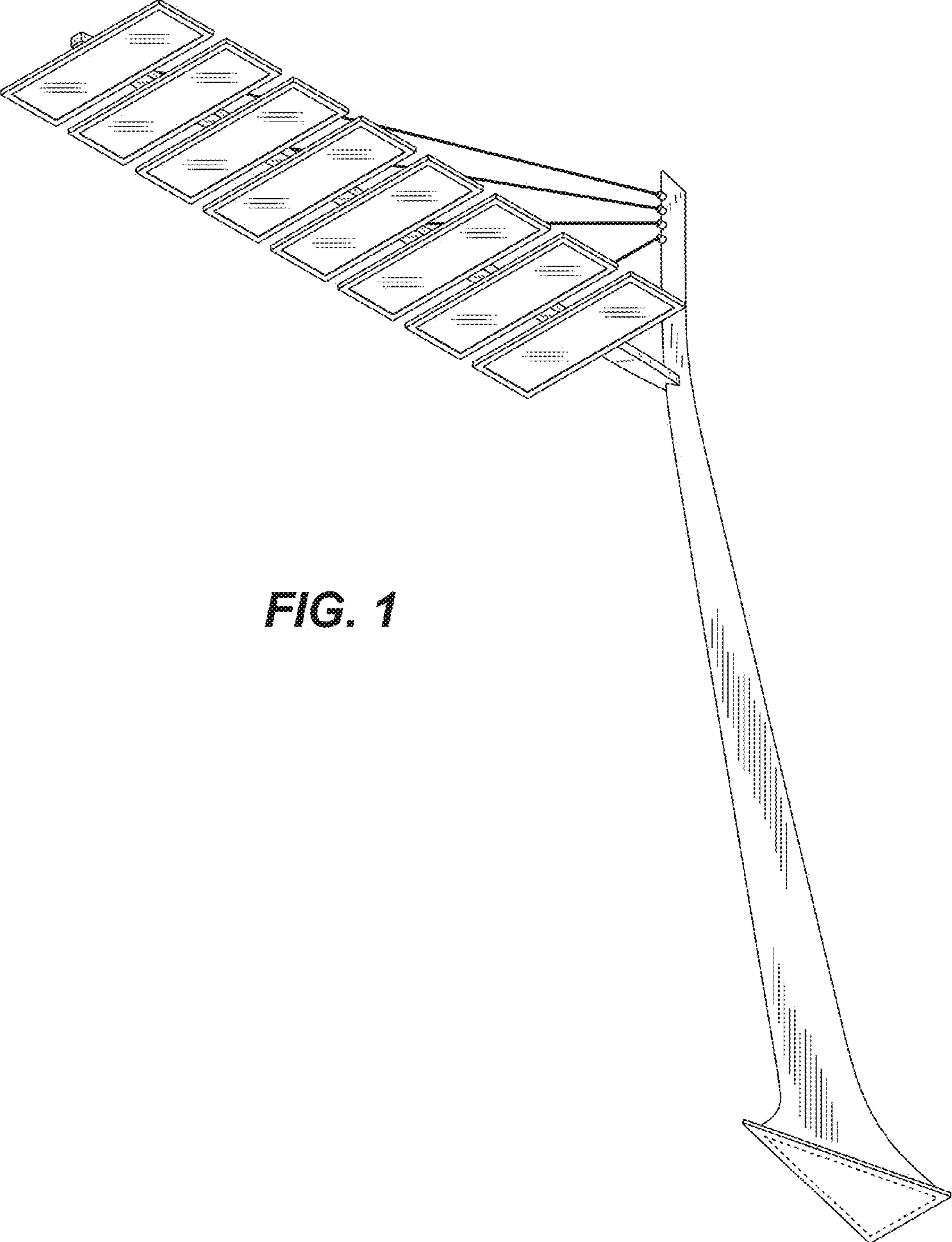


FIG. 1

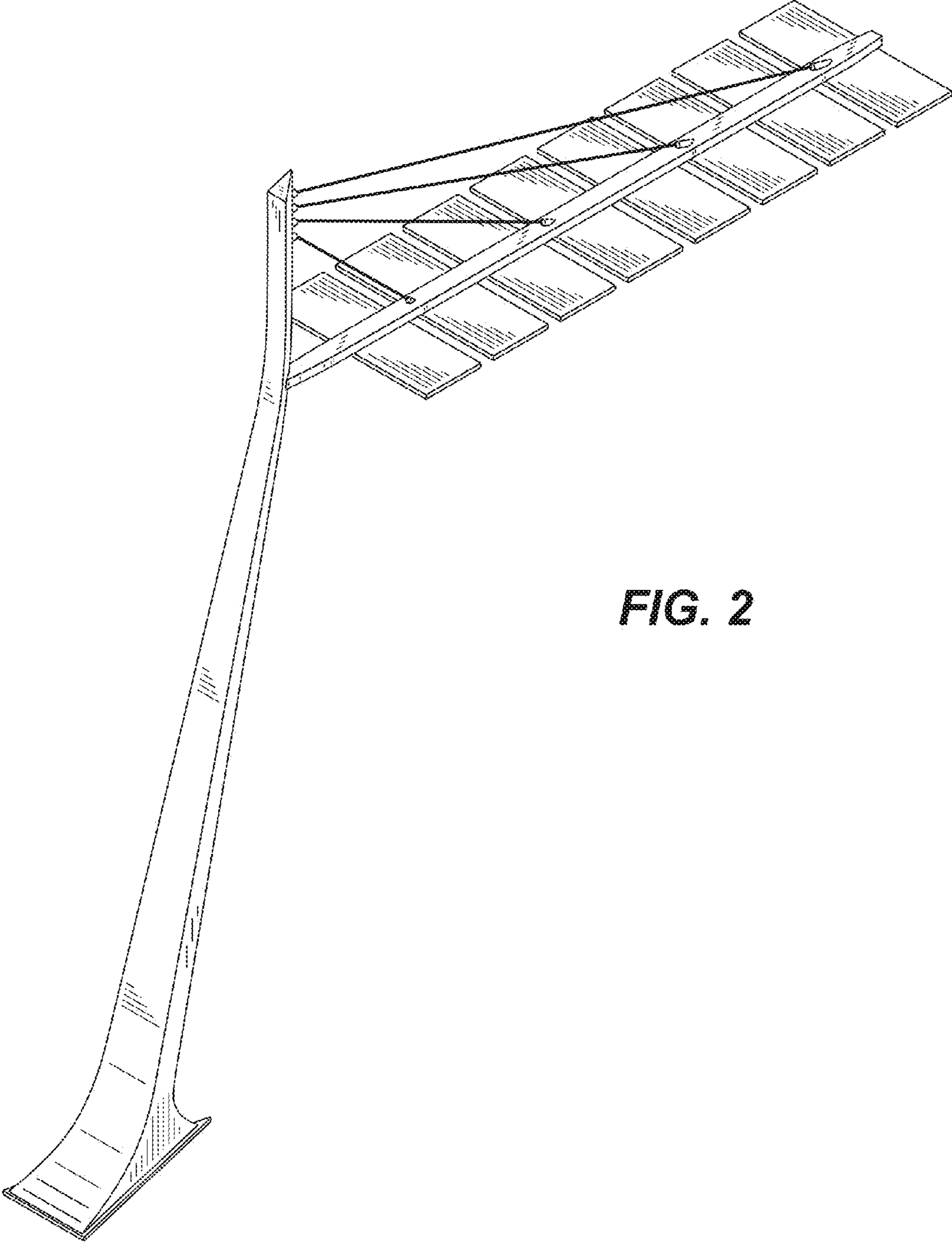


FIG. 2

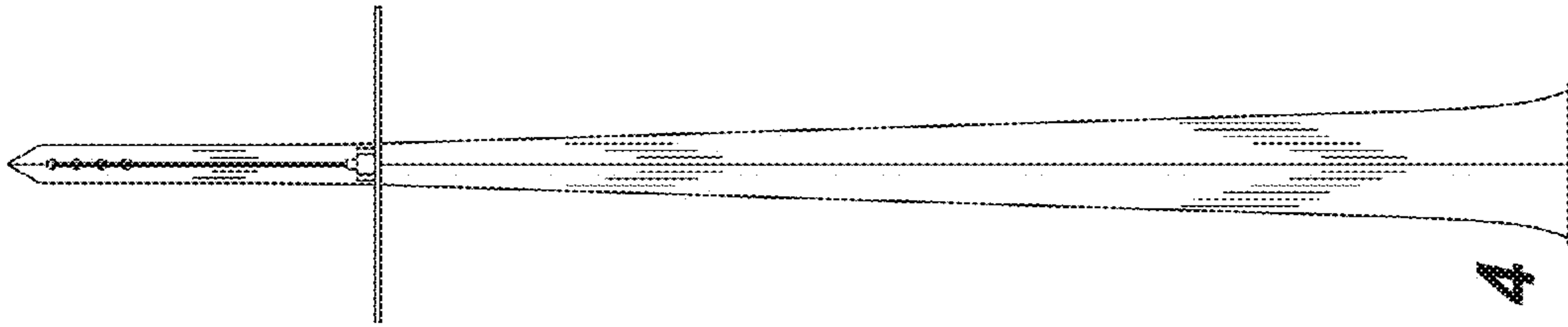


FIG. 4

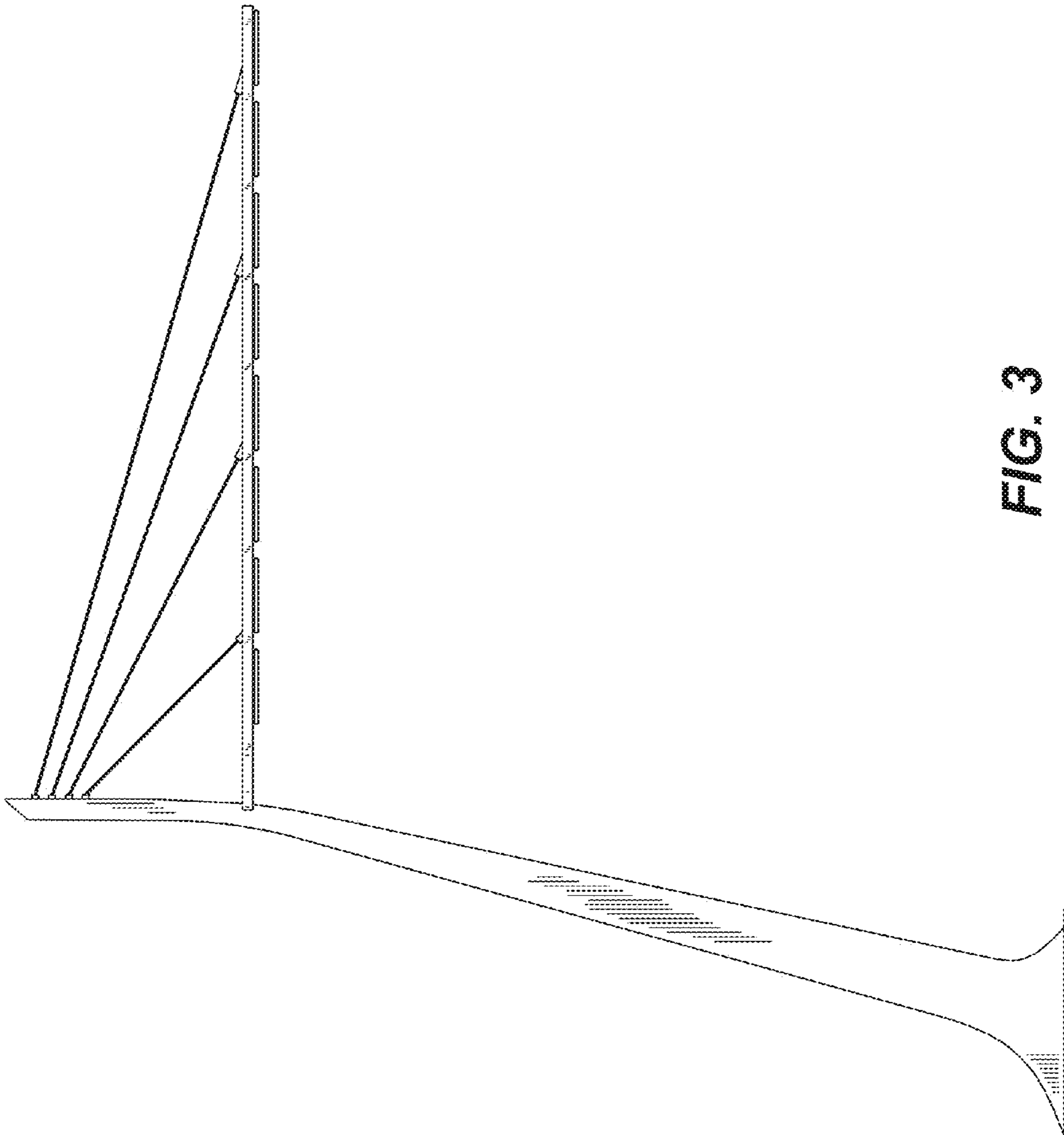


FIG. 3

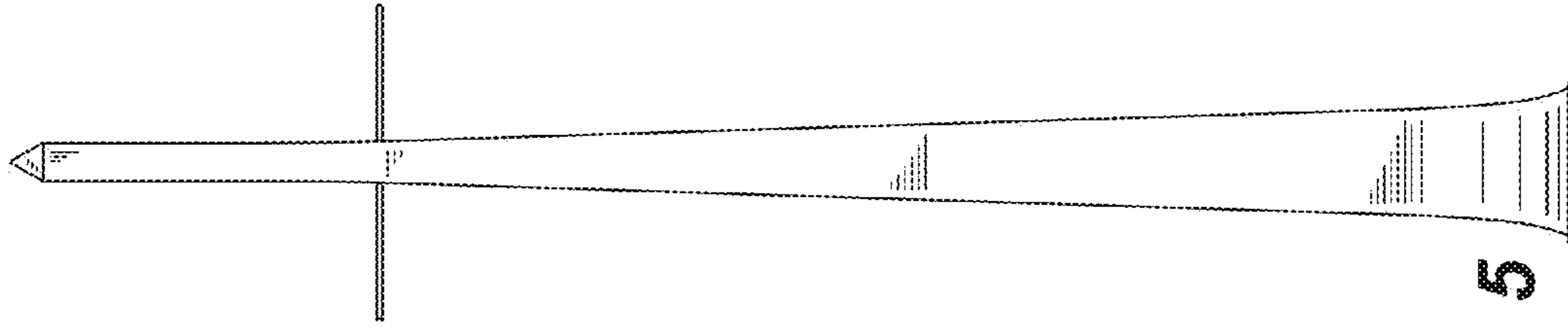


FIG. 5

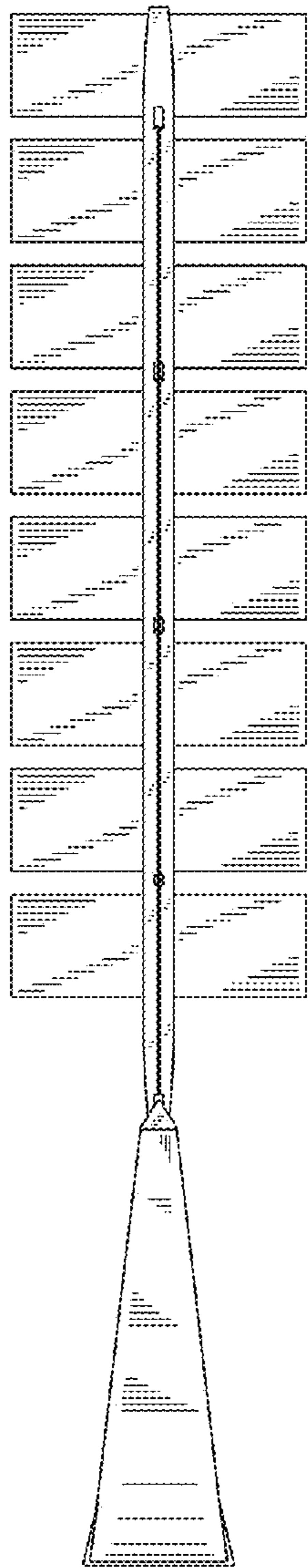


FIG. 6

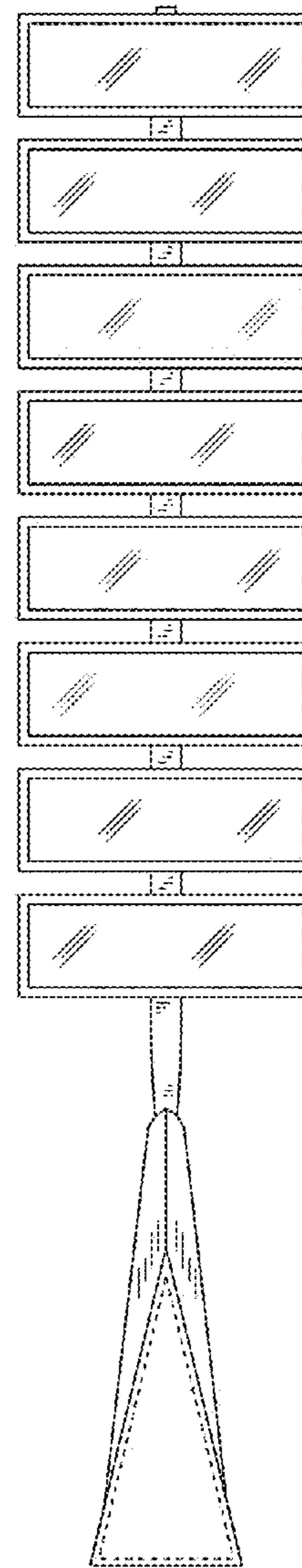


FIG. 7