



US00D760941S

(12) **United States Design Patent**
Dixon

(10) **Patent No.:** **US D760,941 S**
(45) **Date of Patent:** **** Jul. 5, 2016**

(54) **DESK LAMP**

(56) **References Cited**

(71) Applicant: **Tom Dixon Limited**, London (GB)

U.S. PATENT DOCUMENTS

(72) Inventor: **Tom Dixon**, London (GB)

D217,063	S	*	3/1970	Daito	D26/107
D226,497	S	*	3/1973	O'Brien	D26/108
D391,664	S	*	3/1998	Lewis	D26/107
D574,540	S	*	8/2008	Citterio	D26/107
D619,286	S	*	7/2010	Sabernig	D26/62
D742,573	S	*	11/2015	Kern	D26/107

(73) Assignee: **Tom Dixon Limited**, London (GB)

(**) Term: **14 Years**

* cited by examiner

(21) Appl. No.: **29/508,039**

Primary Examiner — Brian N Vinson

(22) Filed: **Nov. 3, 2014**

(74) *Attorney, Agent, or Firm* — Soroker-Agmon

(30) **Foreign Application Priority Data**

May 1, 2014 (EM) 002456798-0002

(57) **CLAIM**

(51) **LOC (10) Cl.** **26-03**

The ornamental design for a desk lamp, as shown and described.

(52) **U.S. Cl.**
USPC **D26/107**

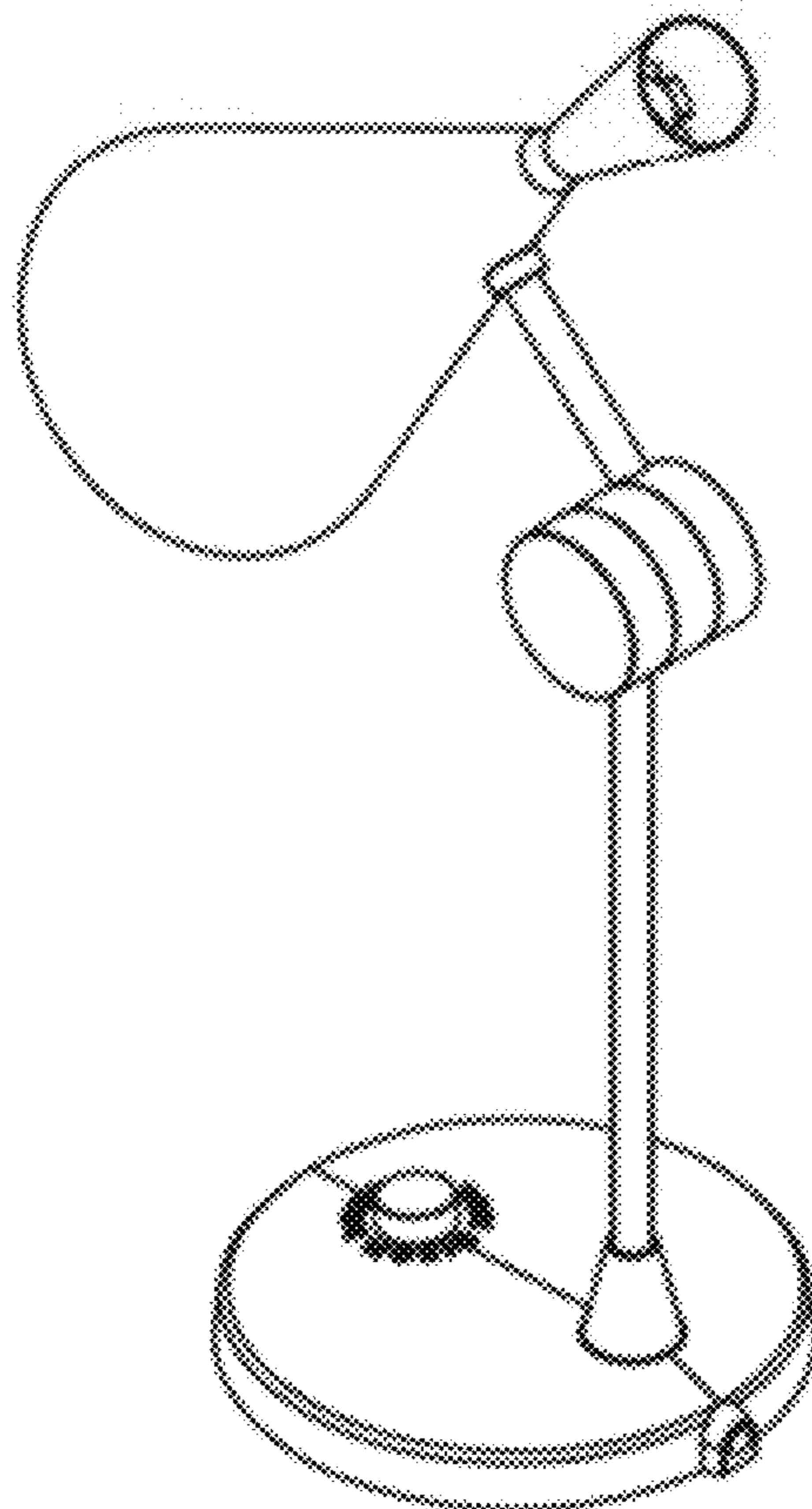
DESCRIPTION

(58) **Field of Classification Search**
USPC D26/1, 24, 93, 104, 106, 107, 109, 110,
D26/62
CPC F21S 6/00; F21S 6/043; F21S 8/08;
F21V 21/00; F21V 21/02; F21W 2121/00;
F21W 2131/30

FIG. 1 is a perspective view of a desk lamp showing my new design;
FIG. 2 is a side view thereof;
FIG. 3 is a front view thereof; and,
FIG. 4 is a top view thereof.

See application file for complete search history.

1 Claim, 1 Drawing Sheet



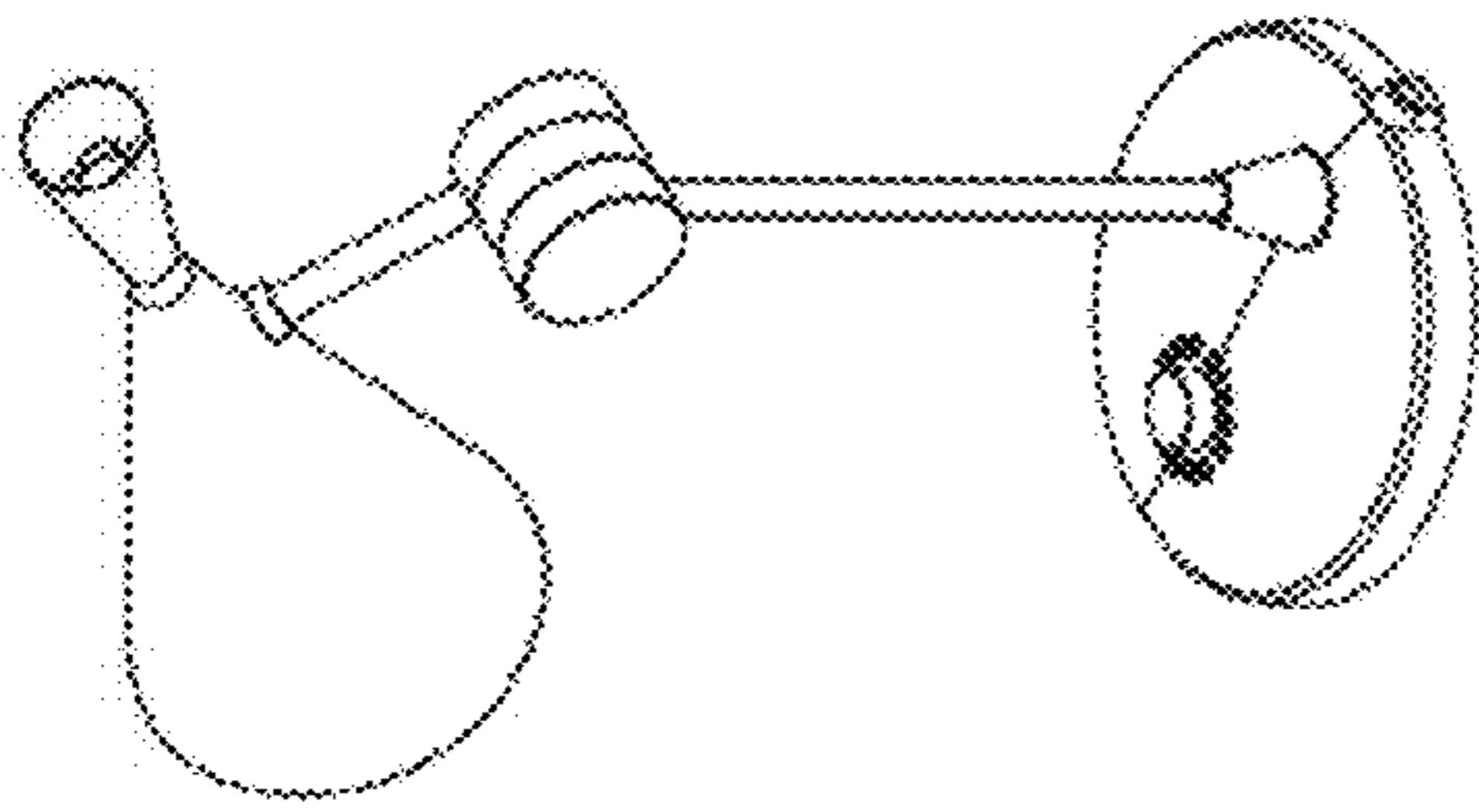


FIG. 1

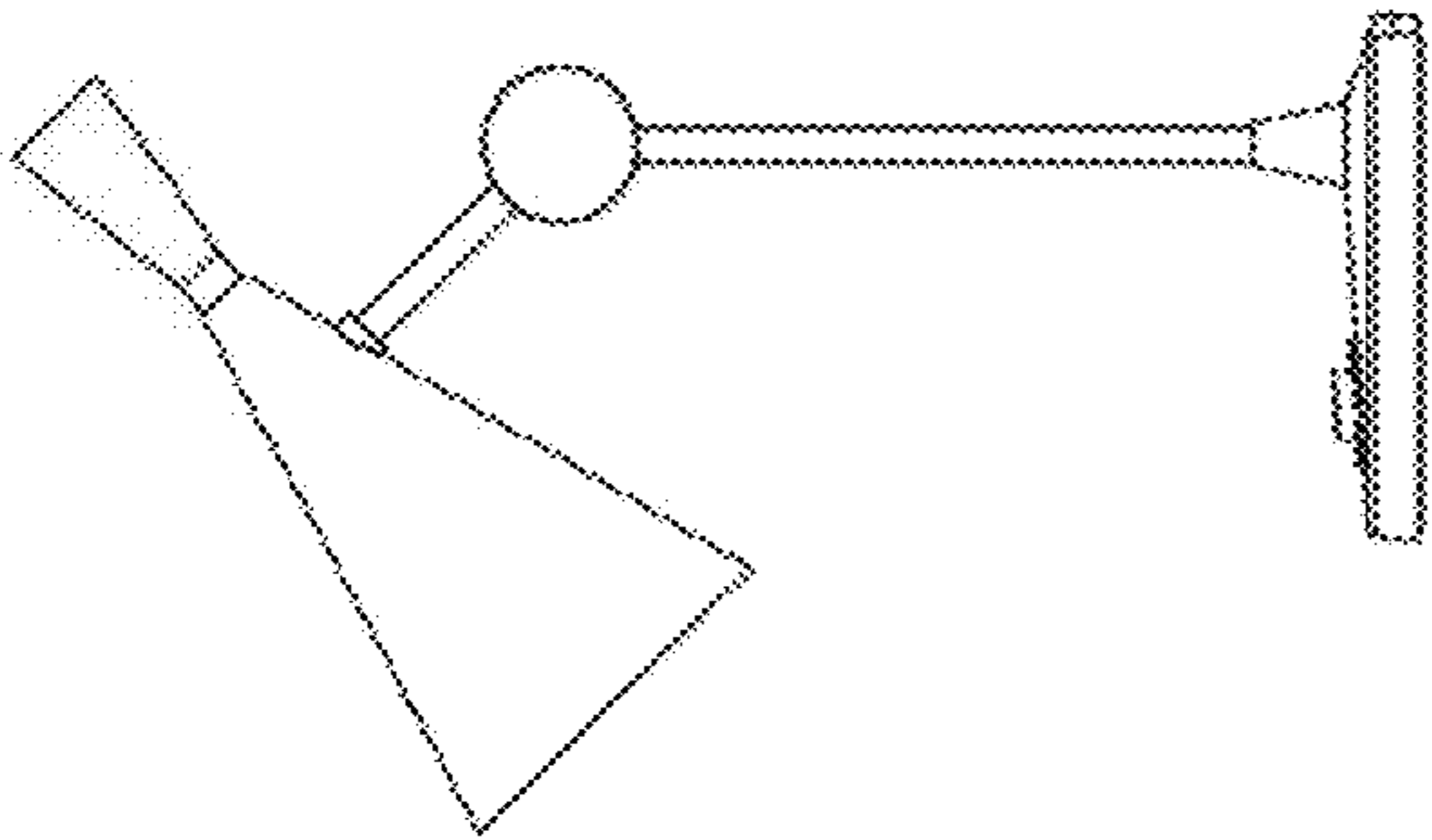


FIG. 2

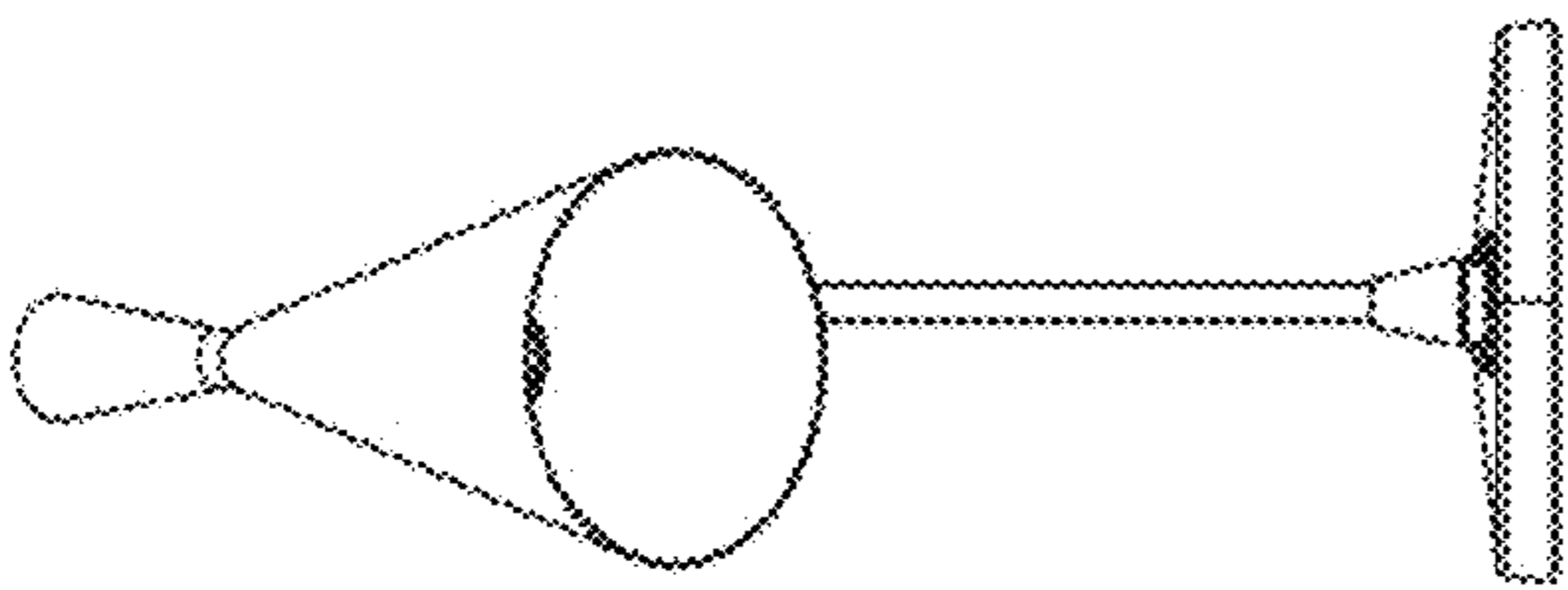


FIG. 3

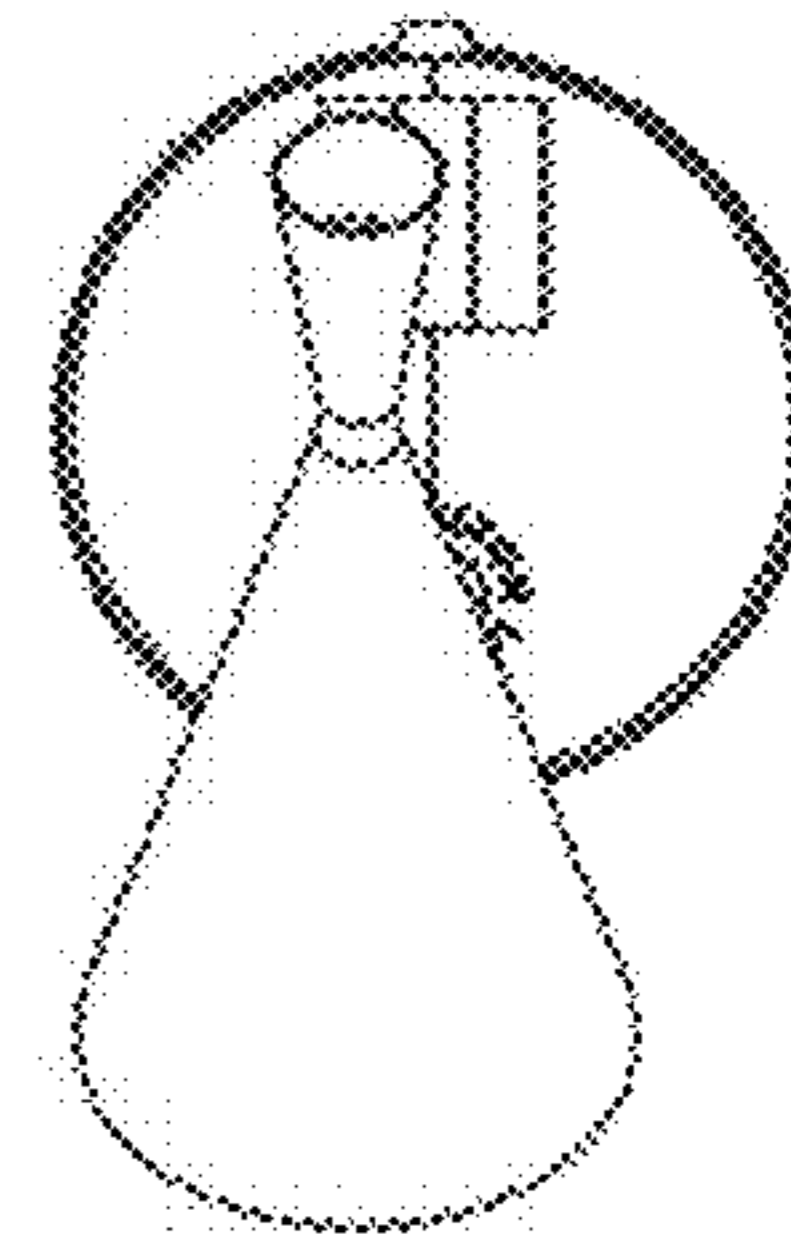


FIG. 4