



US00D760933S

(12) **United States Design Patent**  
**Keskin et al.**

(10) **Patent No.:** **US D760,933 S**  
(45) **Date of Patent:** **\*\* Jul. 5, 2016**

(54) **VEHICLE TAIL LAMP**

(71) Applicant: **Ford Motor Company**, Dearborn, MI (US)

(72) Inventors: **Berk Keskin**, Cologne (DE); **Wolfgang Otschke**, Cologne (DE)

(73) Assignee: **Ford Motor Company**, Dearborn, MI (US)

(\*\*) Term: **14 Years**

(21) Appl. No.: **29/520,124**

(22) Filed: **Mar. 11, 2015**

(30) **Foreign Application Priority Data**

Sep. 18, 2014 (DE) ..... 40 2014 100 888

(51) **LOC (10) Cl.** ..... **26-06**

(52) **U.S. Cl.**  
USPC ..... **D26/28**

(58) **Field of Classification Search**  
USPC ..... D26/28-36; 362/459-468, 475-478, 362/485-487

CPC ..... F21S 48/00; F21S 48/10; F21S 48/115; F21S 48/225; F21S 48/1233; F21S 48/1266; F21S 48/1388; F21S 48/2268; F21V 21/04

See application file for complete search history.

(56) **References Cited**

U.S. PATENT DOCUMENTS

|              |         |          |       |        |
|--------------|---------|----------|-------|--------|
| D498,013 S * | 11/2004 | Pfeiffer | ..... | D26/28 |
| D523,976 S * | 6/2006  | Pfeiffer | ..... | D26/28 |
| D538,452 S * | 3/2007  | Pfeiffer | ..... | D26/28 |
| D539,450 S * | 3/2007  | Pfeiffer | ..... | D26/28 |
| D549,363 S * | 8/2007  | Pfeiffer | ..... | D26/28 |

\* cited by examiner

*Primary Examiner* — Marcus Jackson

(74) *Attorney, Agent, or Firm* — Damian Porcari

(57) **CLAIM**

The ornamental design for a vehicle tail lamp, as shown and described.

**DESCRIPTION**

FIG. 1 is a top front perspective view of the left vehicle tail lamp (the right vehicle tail lamp being a mirror image and is not shown);

FIG. 2 is a bottom front perspective view thereof;

FIG. 3 is a top rear perspective view thereof;

FIG. 4 is a front elevational view thereof;

FIG. 5 is a rear elevational view thereof;

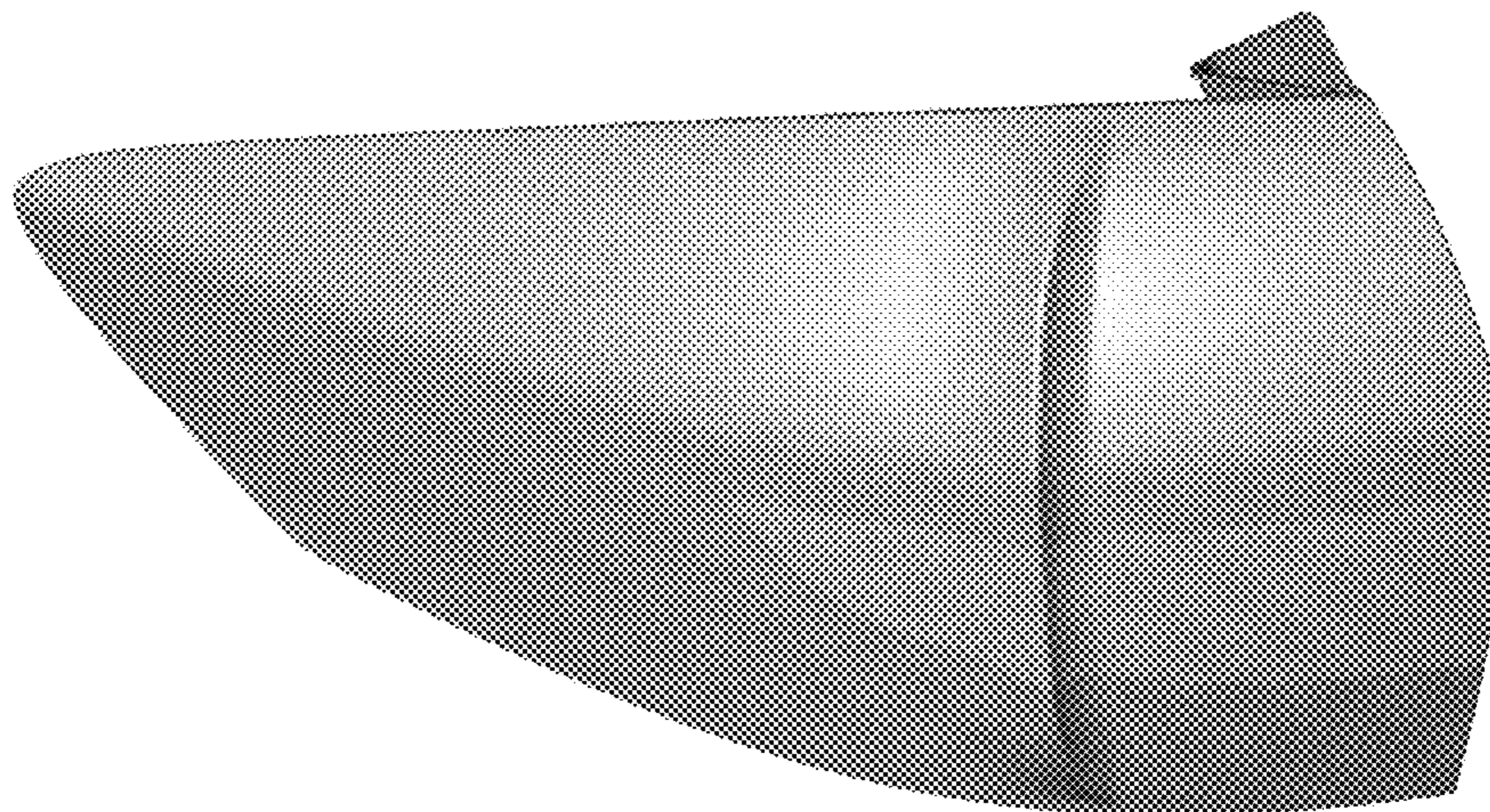
FIG. 6 is a left side elevational view thereof;

FIG. 7 is a right side elevational view thereof;

FIG. 8 is a top plan view thereof; and,

FIG. 9 is a bottom plan view thereof.

**1 Claim, 9 Drawing Sheets**



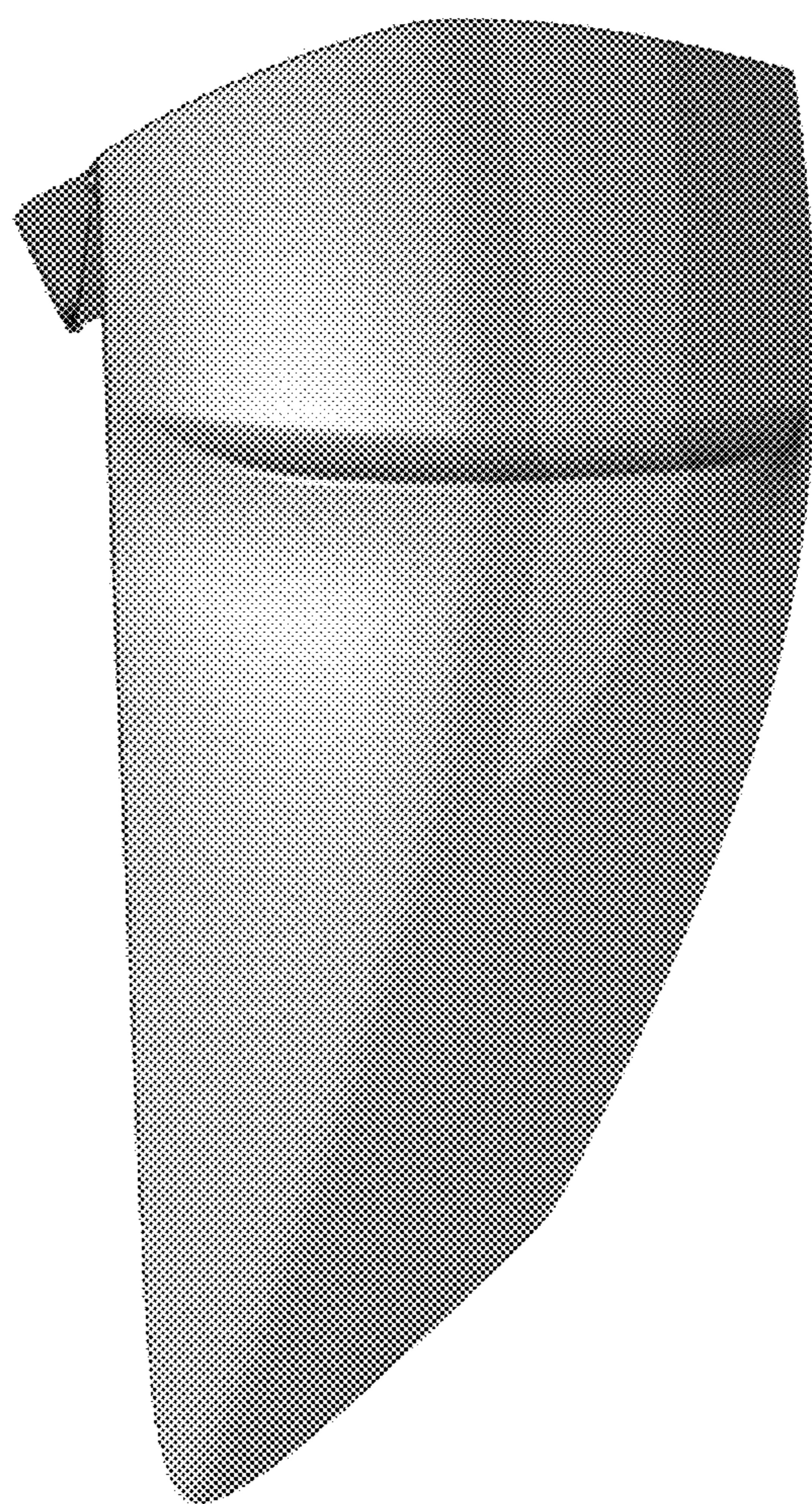


Figure 1

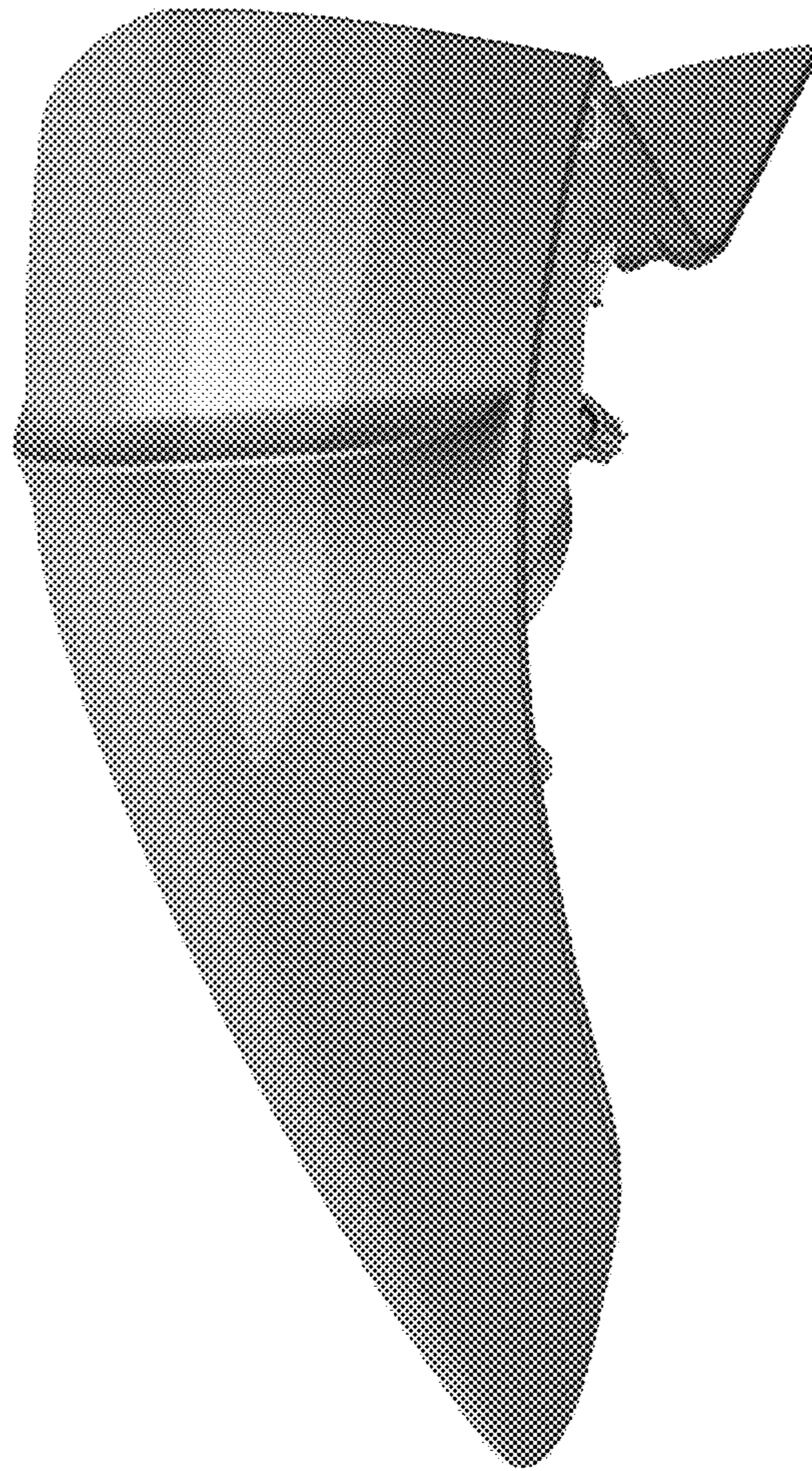


Figure 2

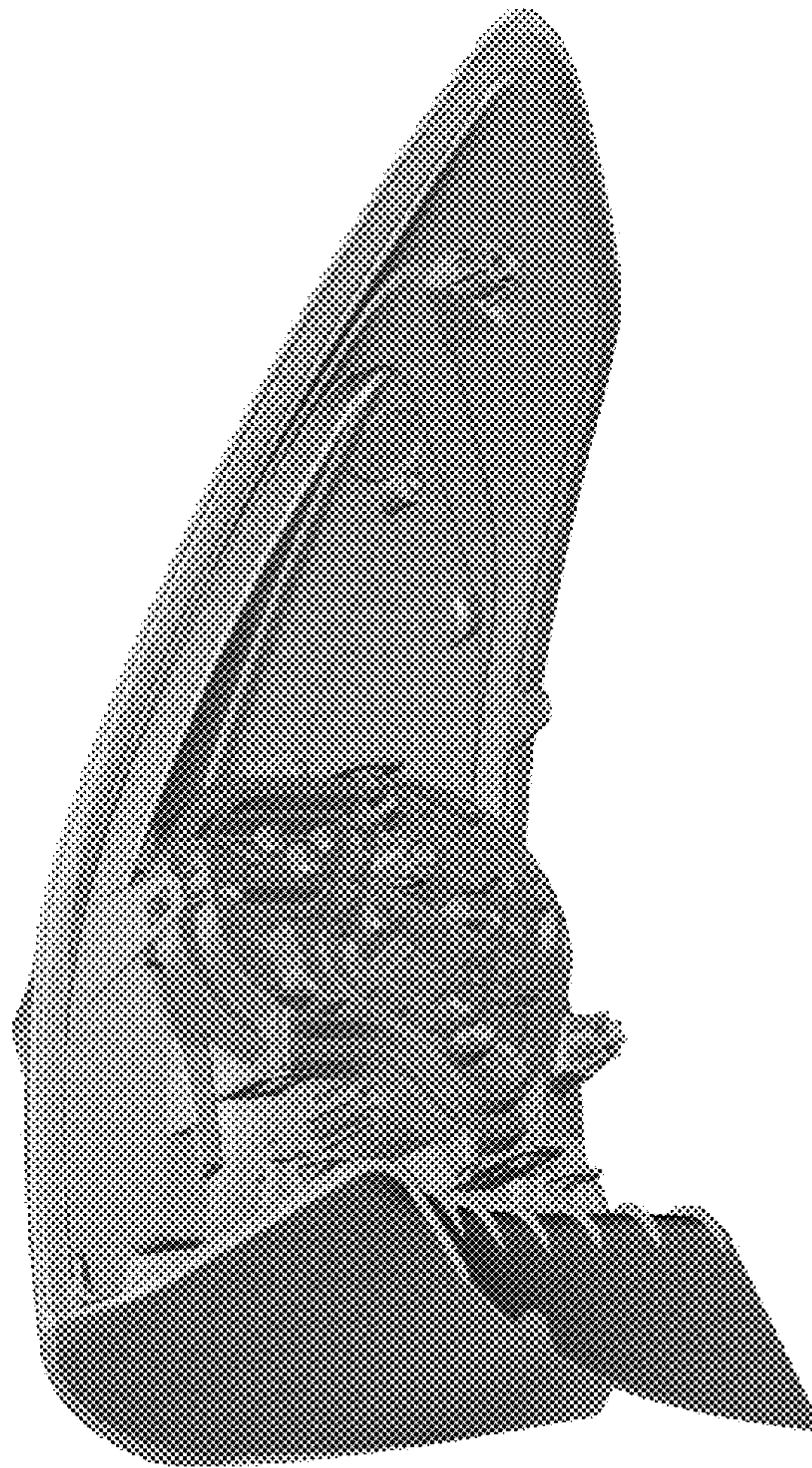


Figure 3

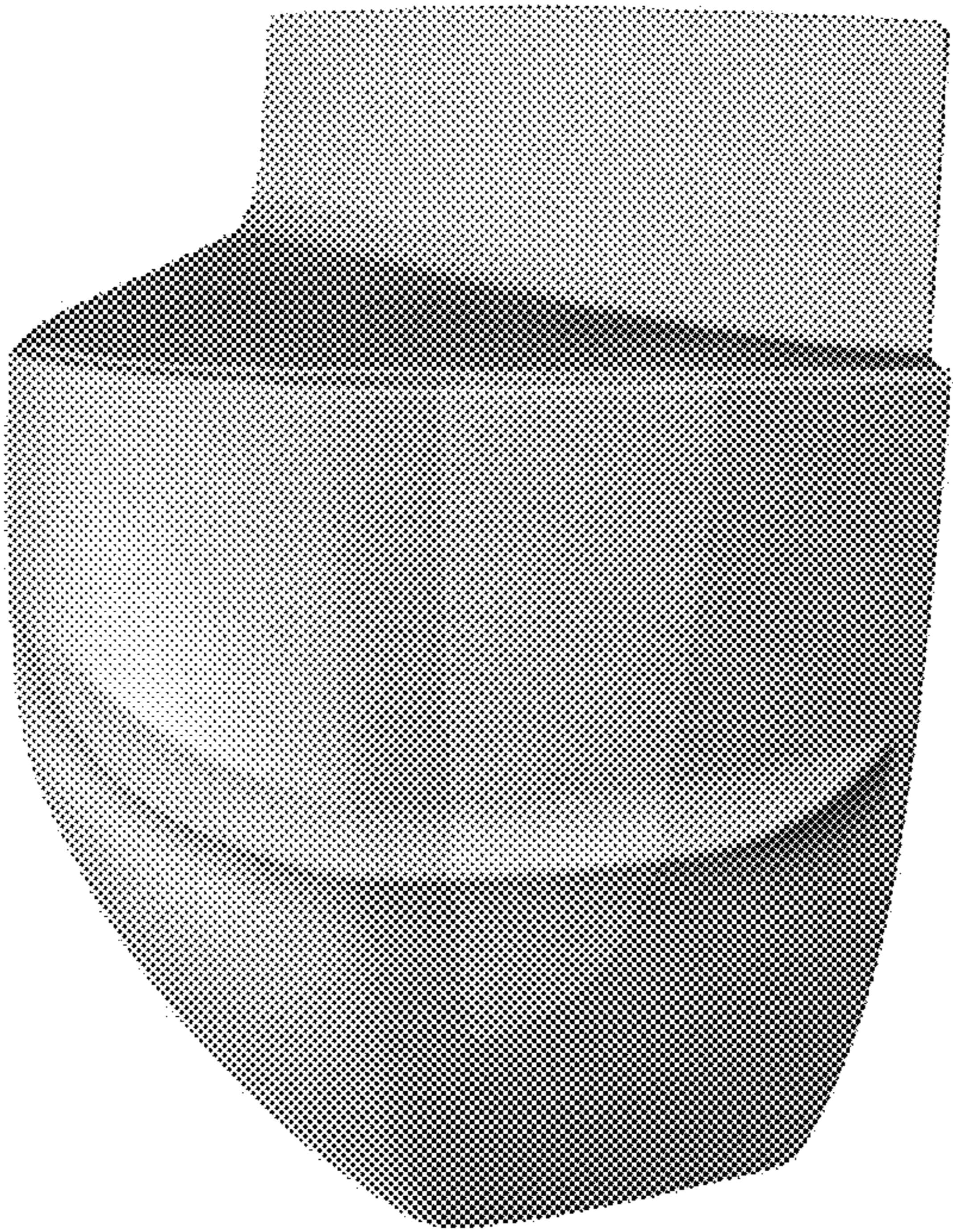


Figure 4

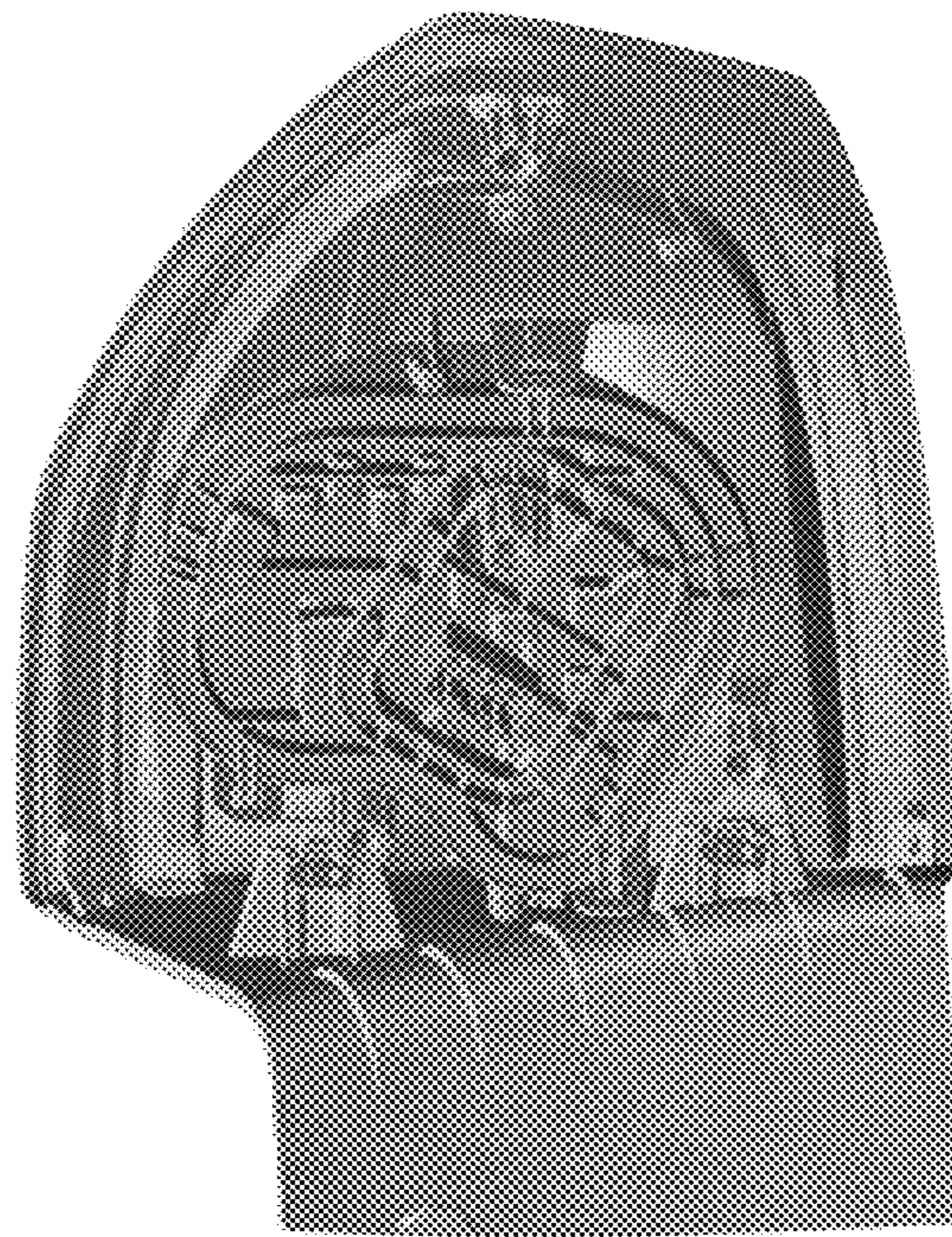


Figure 5

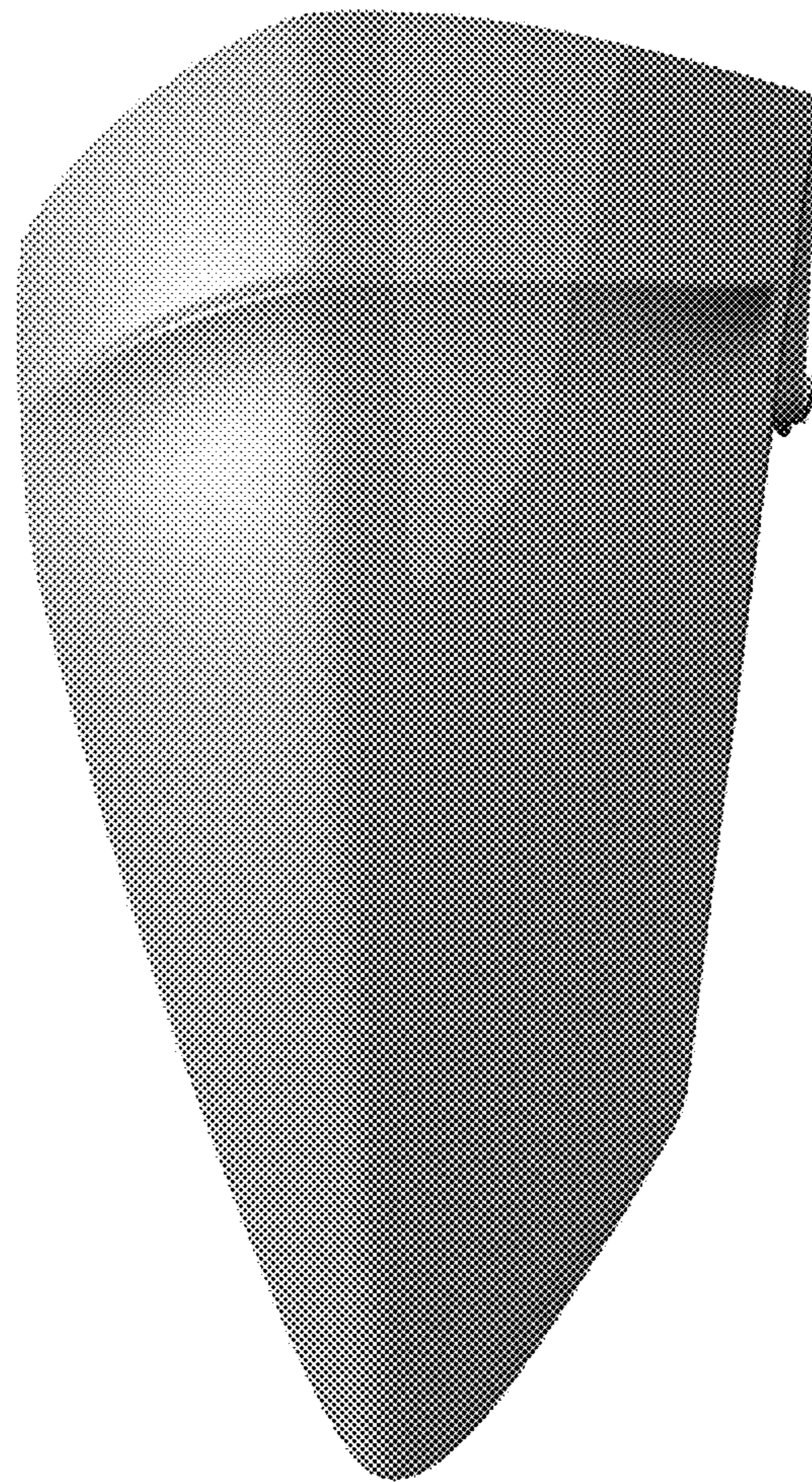


Figure 6

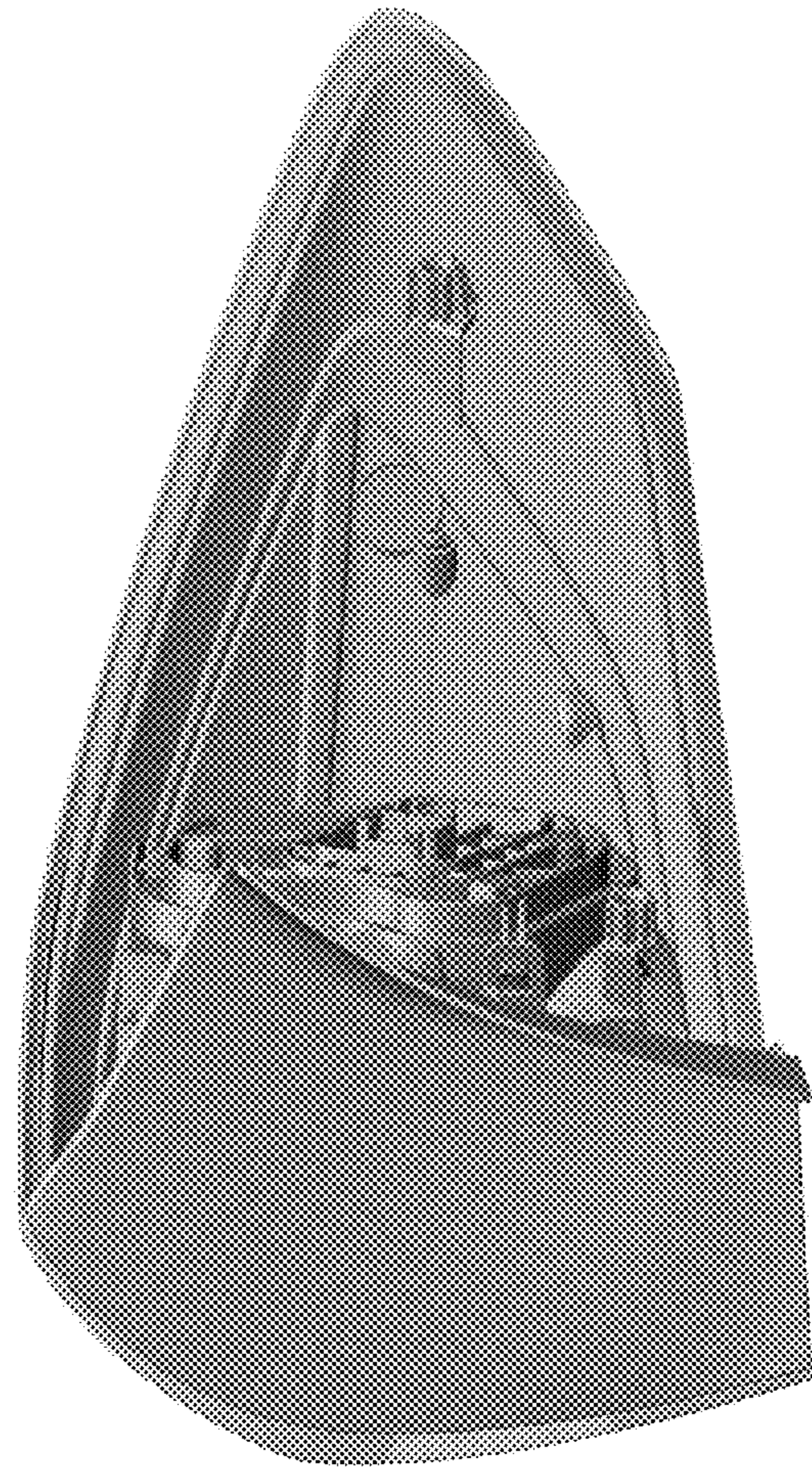


Figure 7



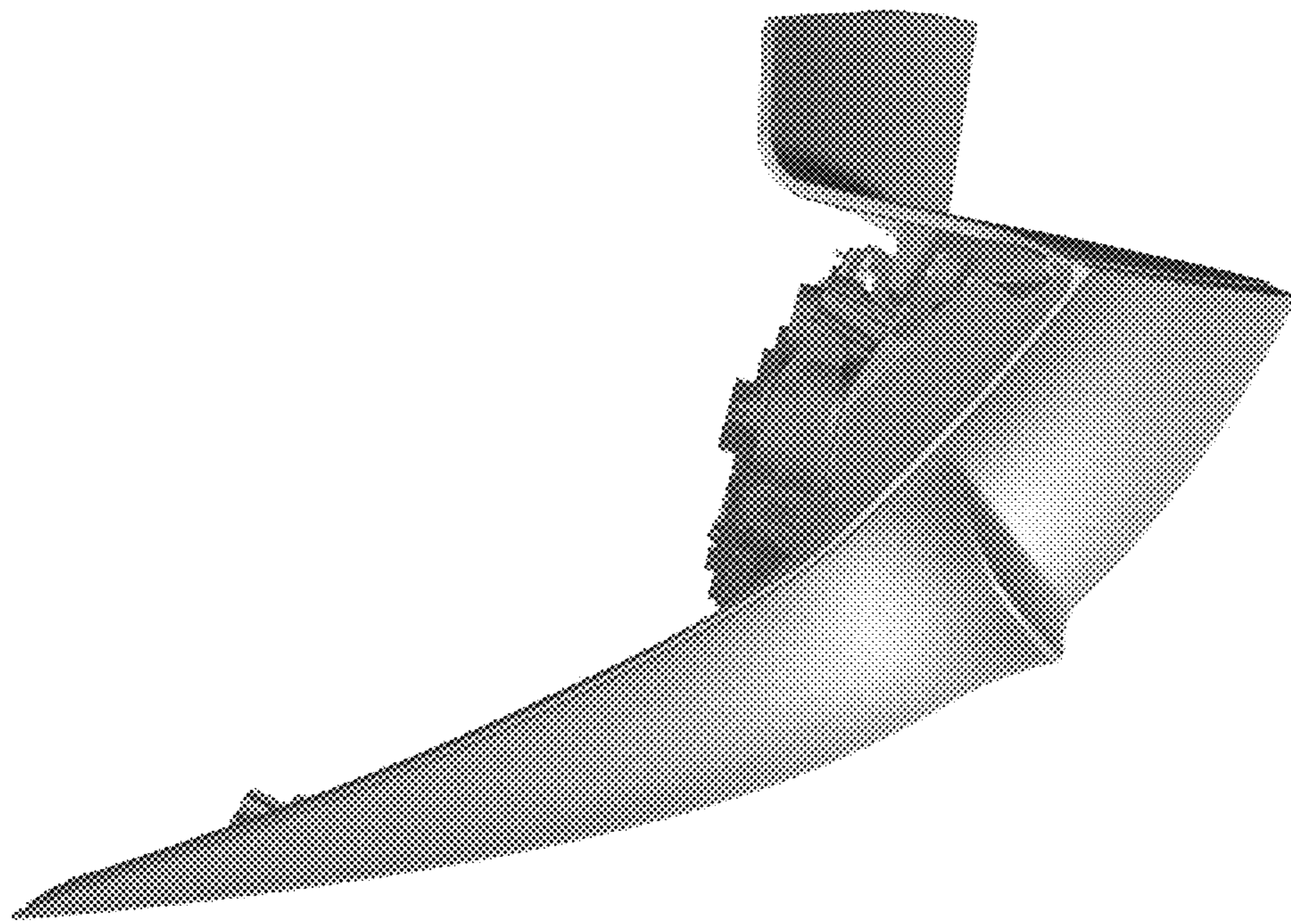


Figure 8

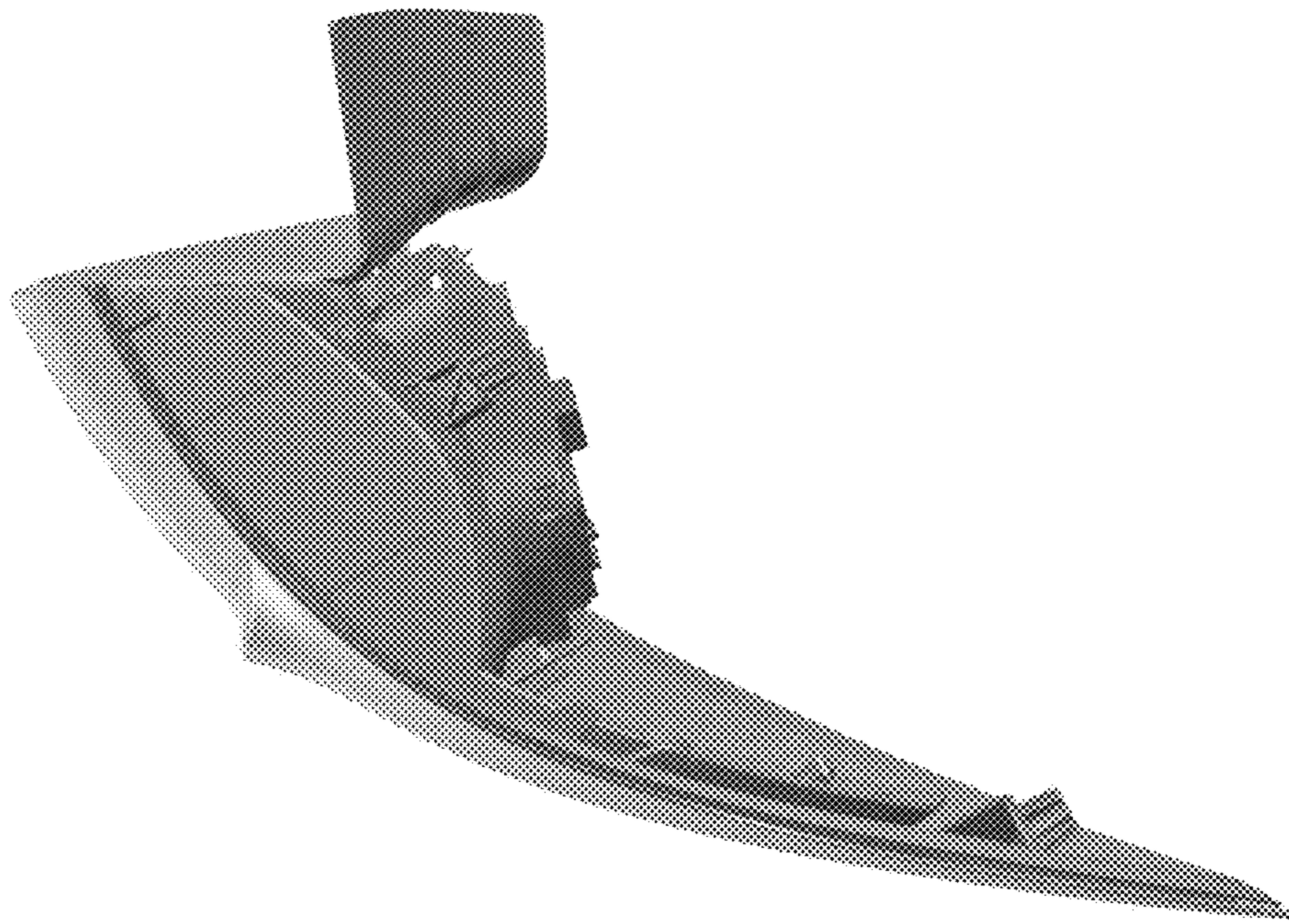


Figure 9