



US00D760932S

(12) **United States Design Patent**
Huang

(10) **Patent No.:** **US D760,932 S**
(45) **Date of Patent:** **** Jul. 5, 2016**

(54) **VEHICLE LAMP**

(56) **References Cited**

(71) Applicant: **Sirius Light Technology Co., Ltd.**,
Tainan (TW)

U.S. PATENT DOCUMENTS

(72) Inventor: **Cheng-Nan Huang**, Tainan (TW)

D506,842 S *	6/2005	Nagura	D26/28
D529,208 S *	9/2006	Ikeda	D26/28
D538,954 S *	3/2007	Pfeiffer	D26/28
D542,442 S *	5/2007	Matsunami	D26/28
D552,768 S *	10/2007	Leclercq	D26/28
D570,007 S *	5/2008	Hsu	D26/28

(73) Assignee: **SIRIUS LIGHT TECHNOLOGY CO., LTD.**, Tainan (TW)

* cited by examiner

(**) Term: **14 Years**

Primary Examiner — Marcus Jackson

(21) Appl. No.: **29/518,252**

(74) *Attorney, Agent, or Firm* — DLA Piper LLP (US)

(22) Filed: **Feb. 20, 2015**

(57) **CLAIM**

The ornamental design for a vehicle lamp, as shown and described.

(30) **Foreign Application Priority Data**

DESCRIPTION

Jan. 19, 2015 (TW) 104300254

(51) **LOC (10) Cl.** **26-06**

(52) **U.S. Cl.**
USPC **D26/28**

(58) **Field of Classification Search**
USPC D26/28-36; 362/459-468, 475-478,
362/485-487

CPC F21S 48/00; F21S 48/10; F21S 48/115;
F21S 48/225; F21S 48/1233; F21S 48/1266;
F21S 48/1388; F21S 48/2268; F21V 21/04

See application file for complete search history.

FIG. 1 is a perspective view of the vehicle lamp showing my new design;

FIG. 2 is a front elevational view thereof;

FIG. 3 is a rear elevational view thereof;

FIG. 4 is a left side elevational view thereof;

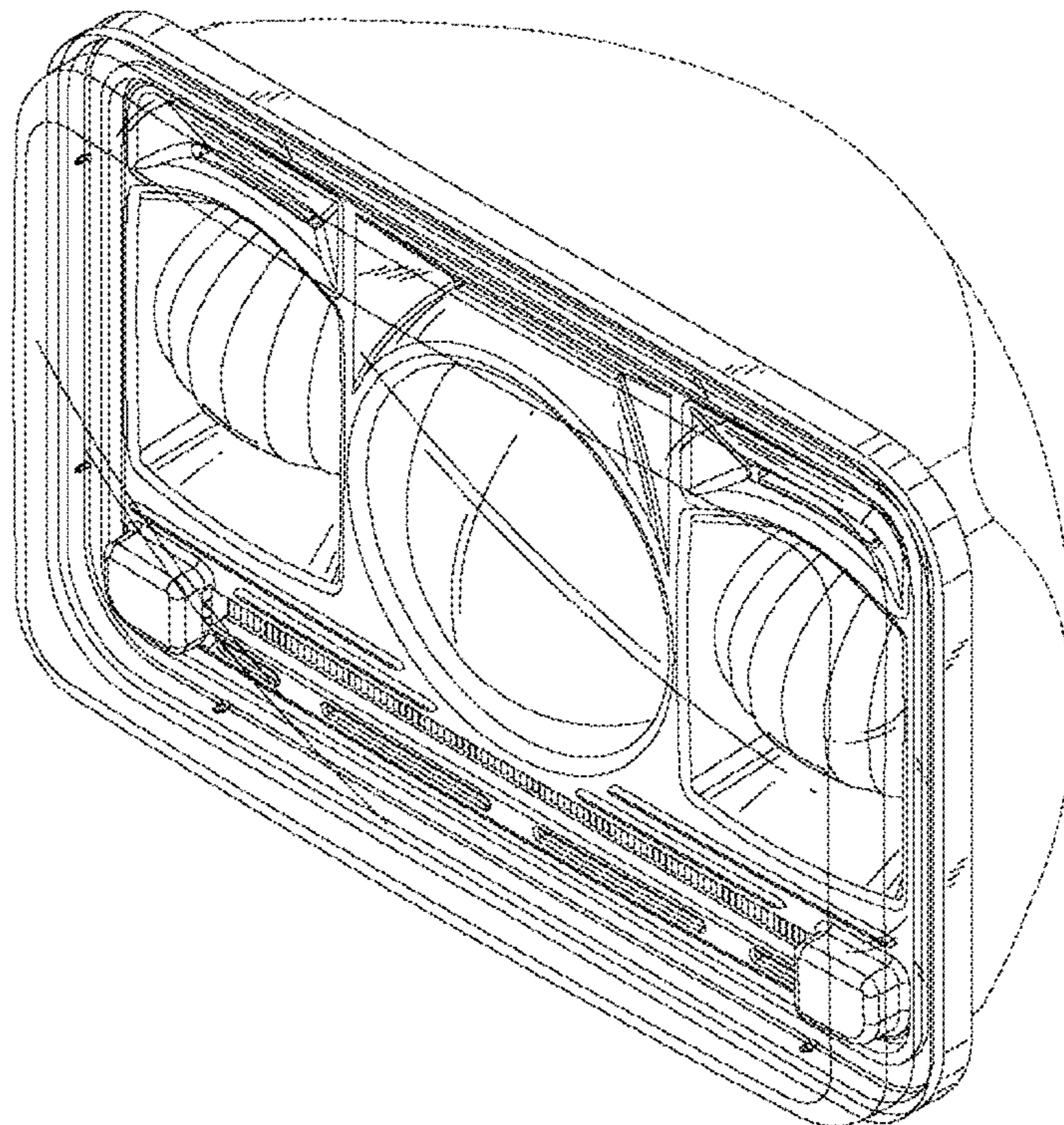
FIG. 5 is a right side elevational view thereof;

FIG. 6 is a top plan view thereof; and,

FIG. 7 is a bottom plan view thereof.

The broken lines are for illustrating portions of the article only and form no part of the claimed design.

1 Claim, 6 Drawing Sheets



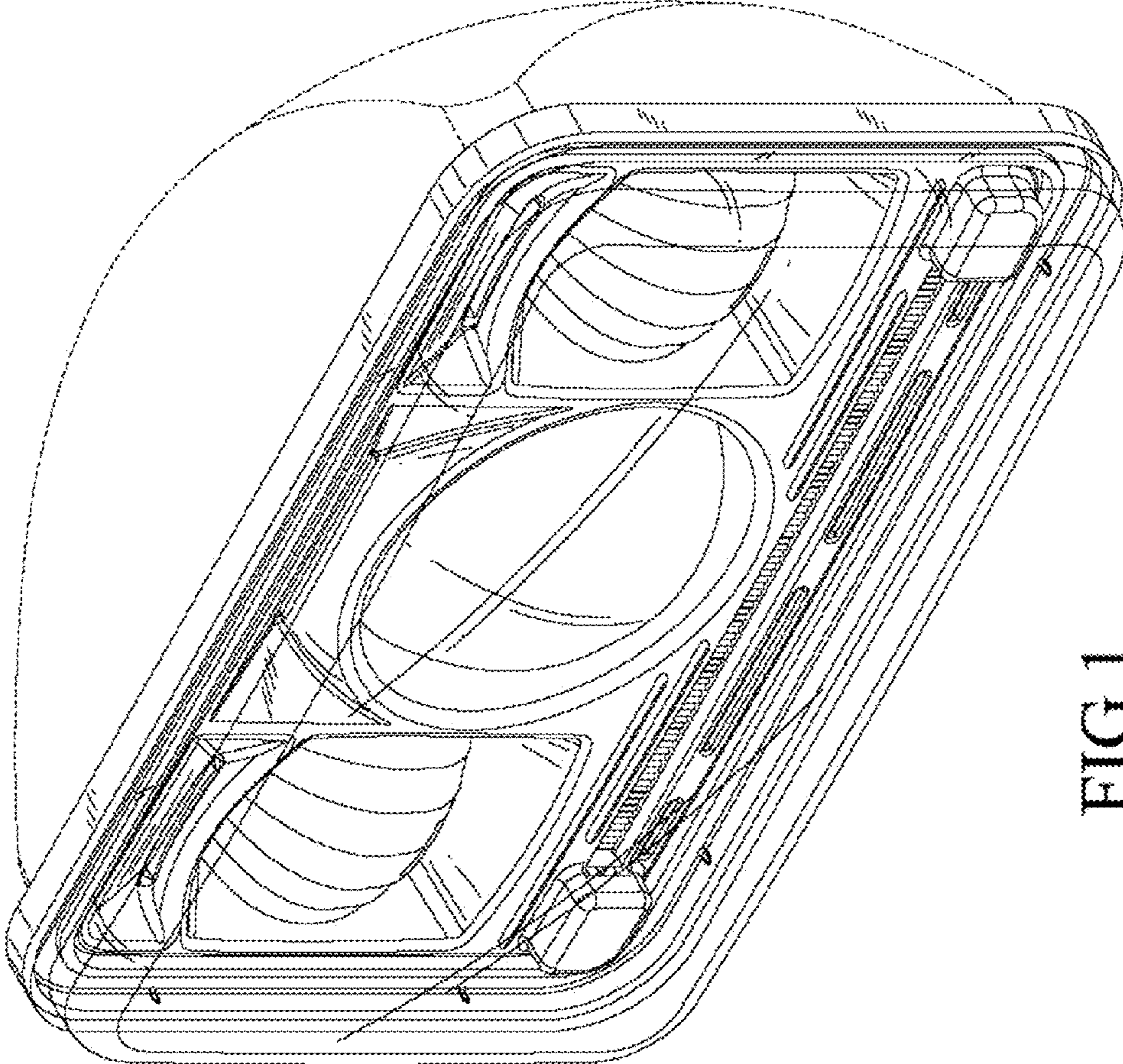


FIG.1

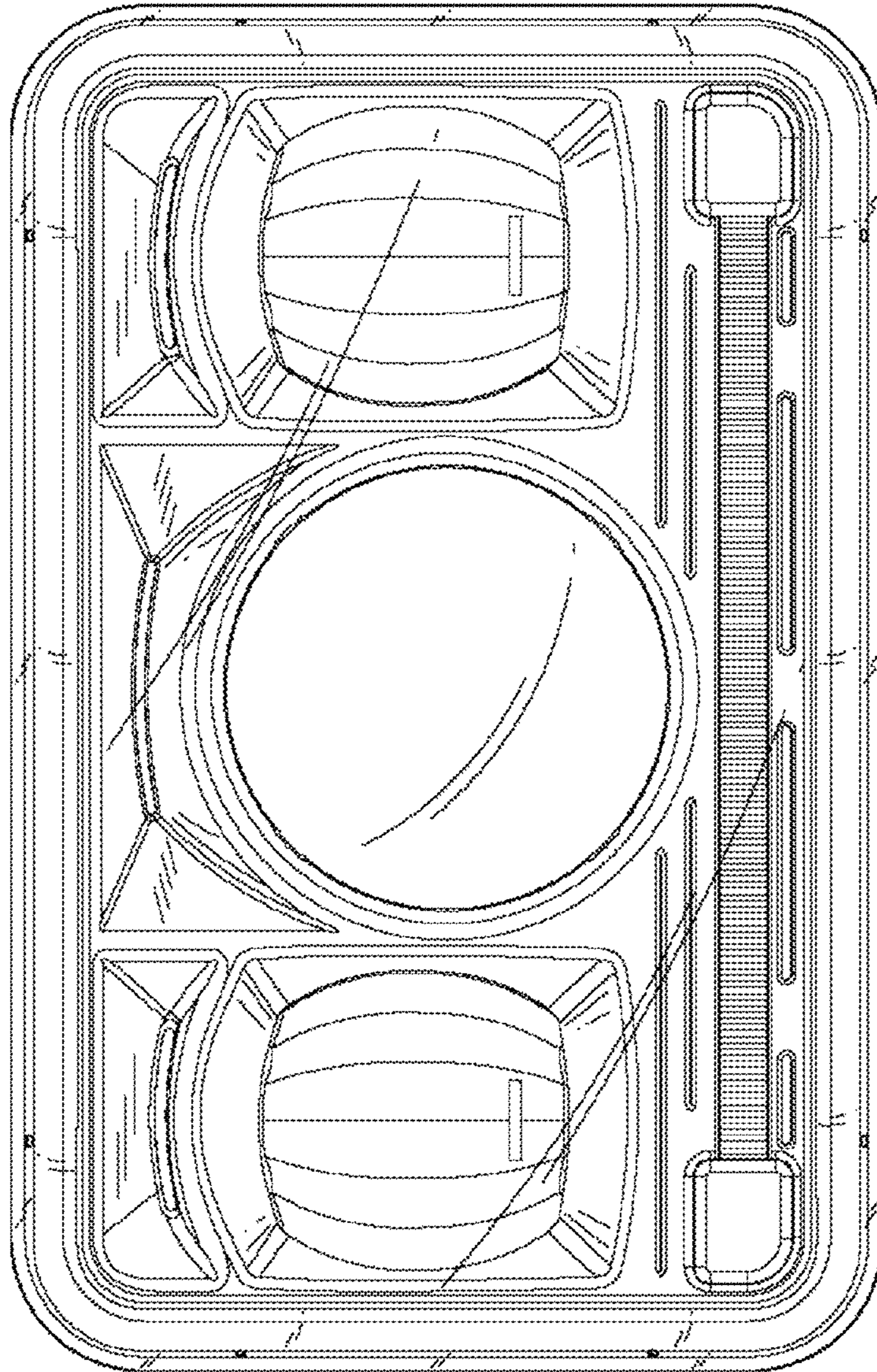


FIG. 2

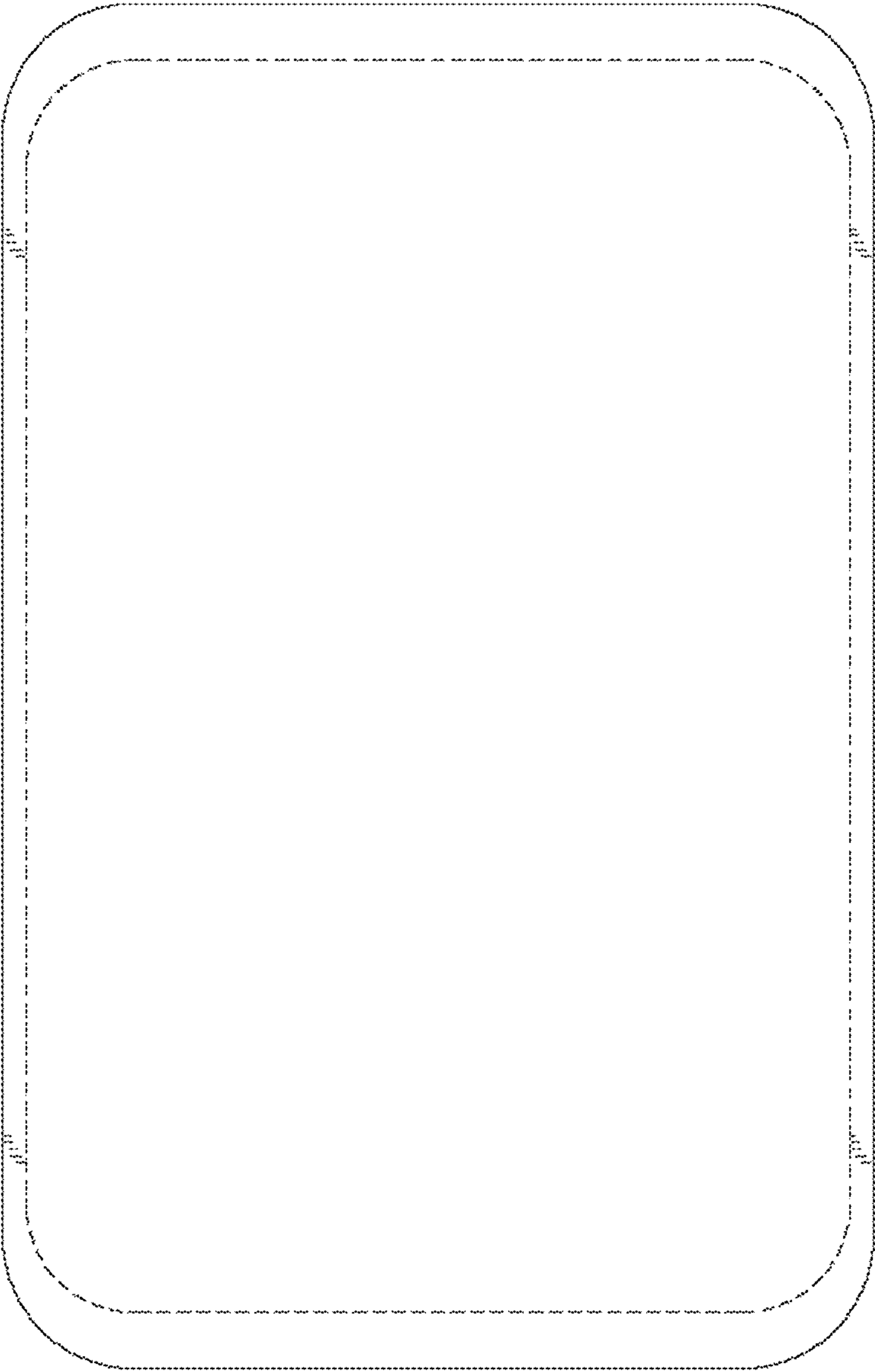


FIG.3

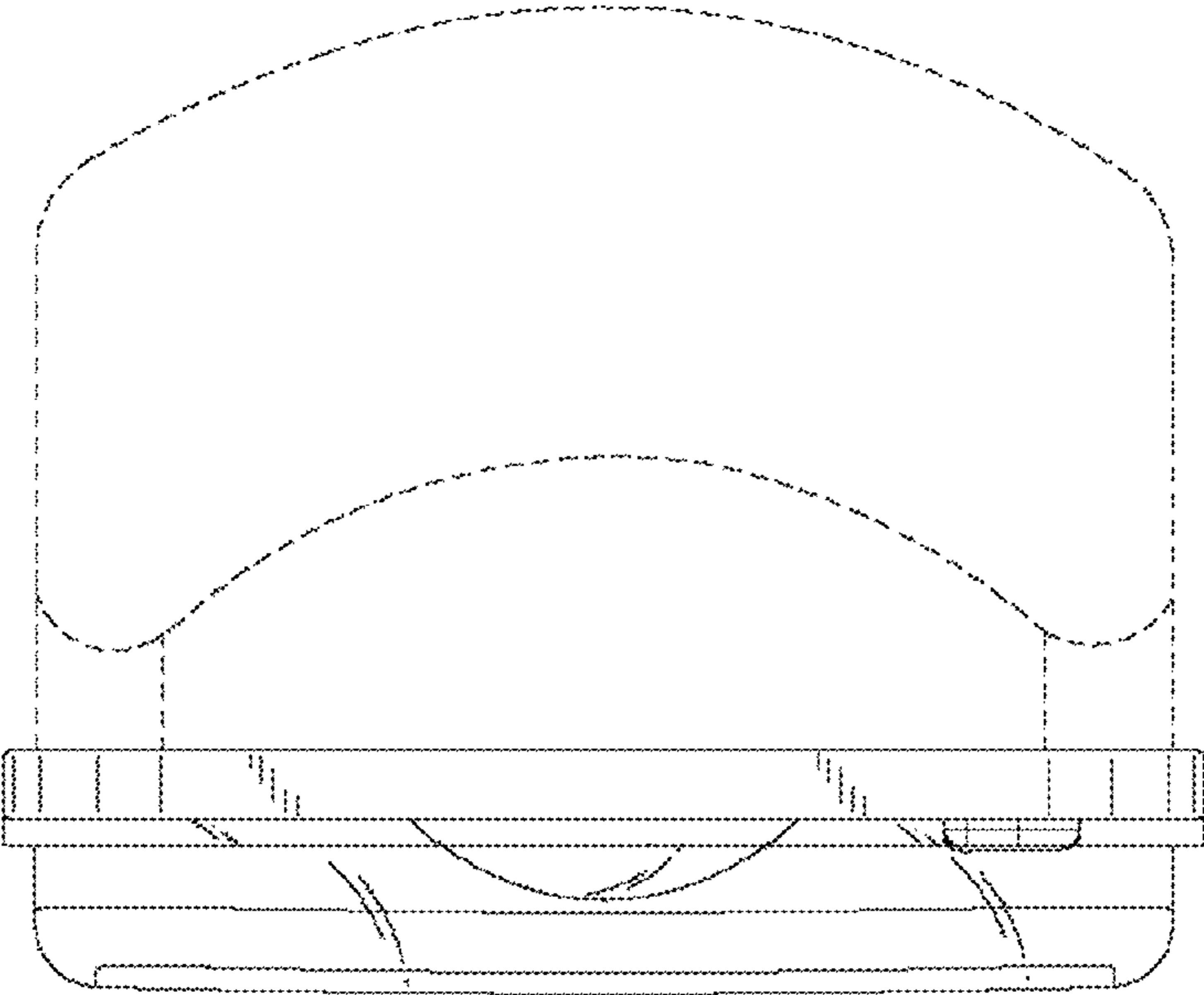


FIG.5

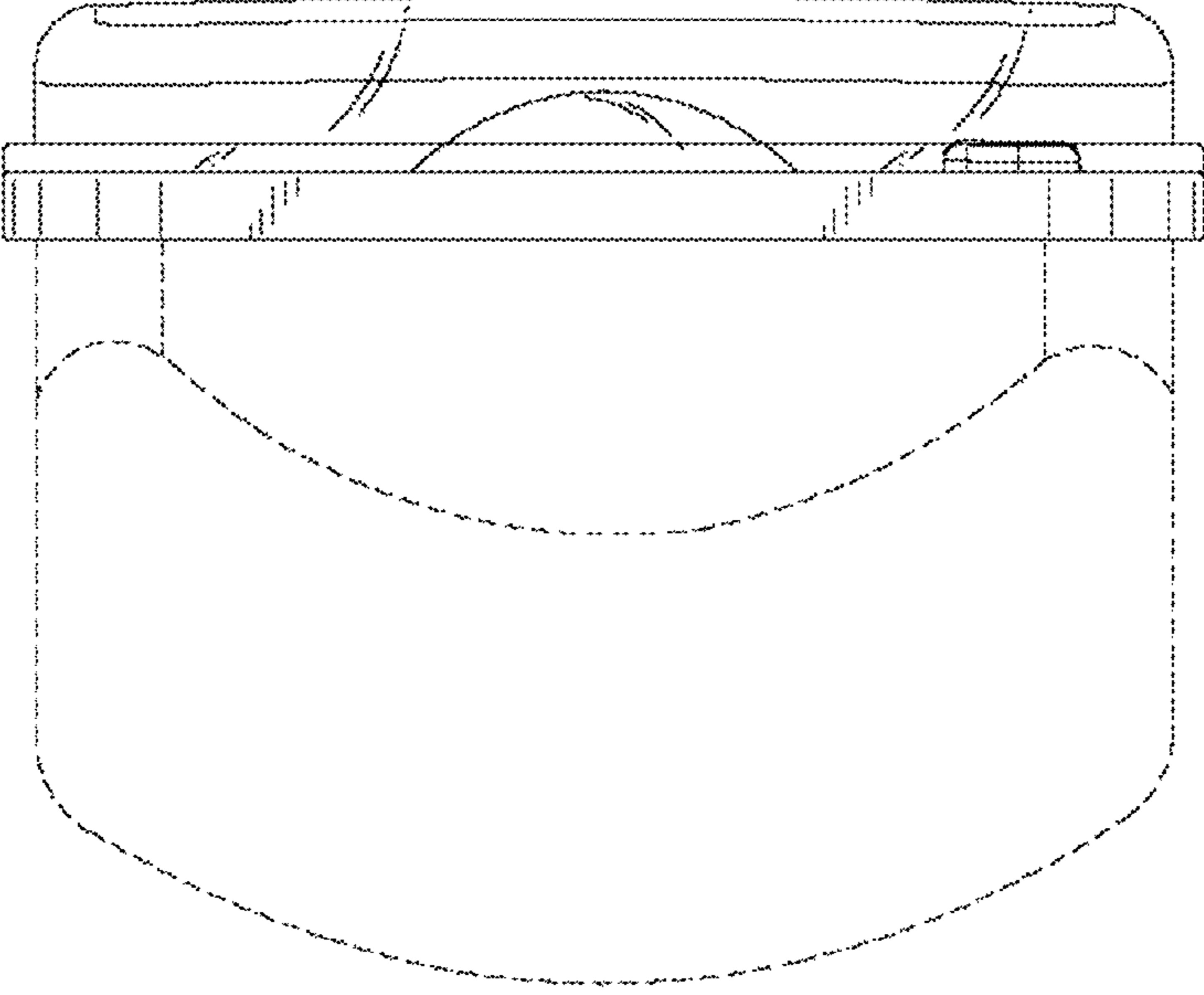


FIG.4

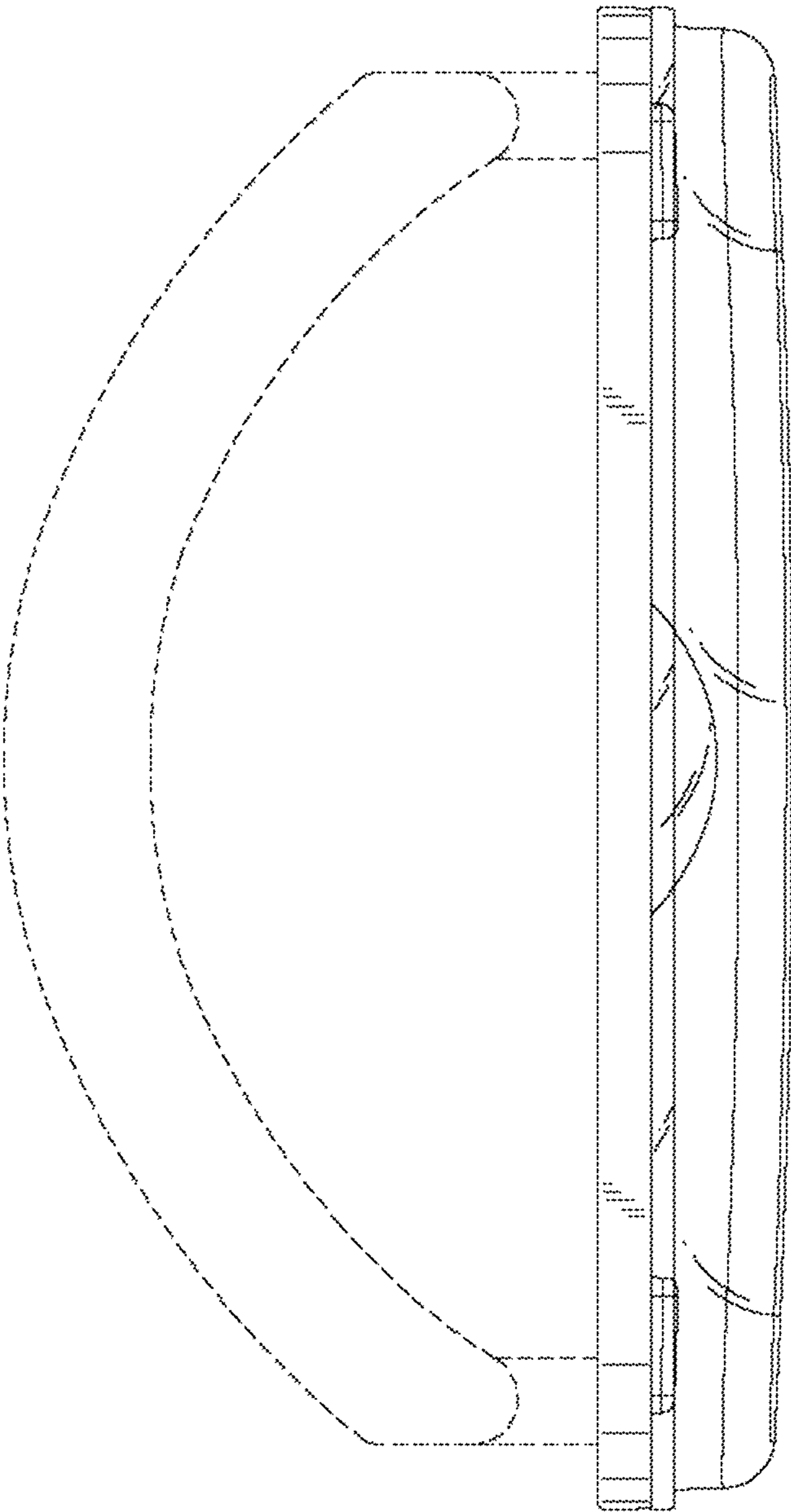


FIG.6

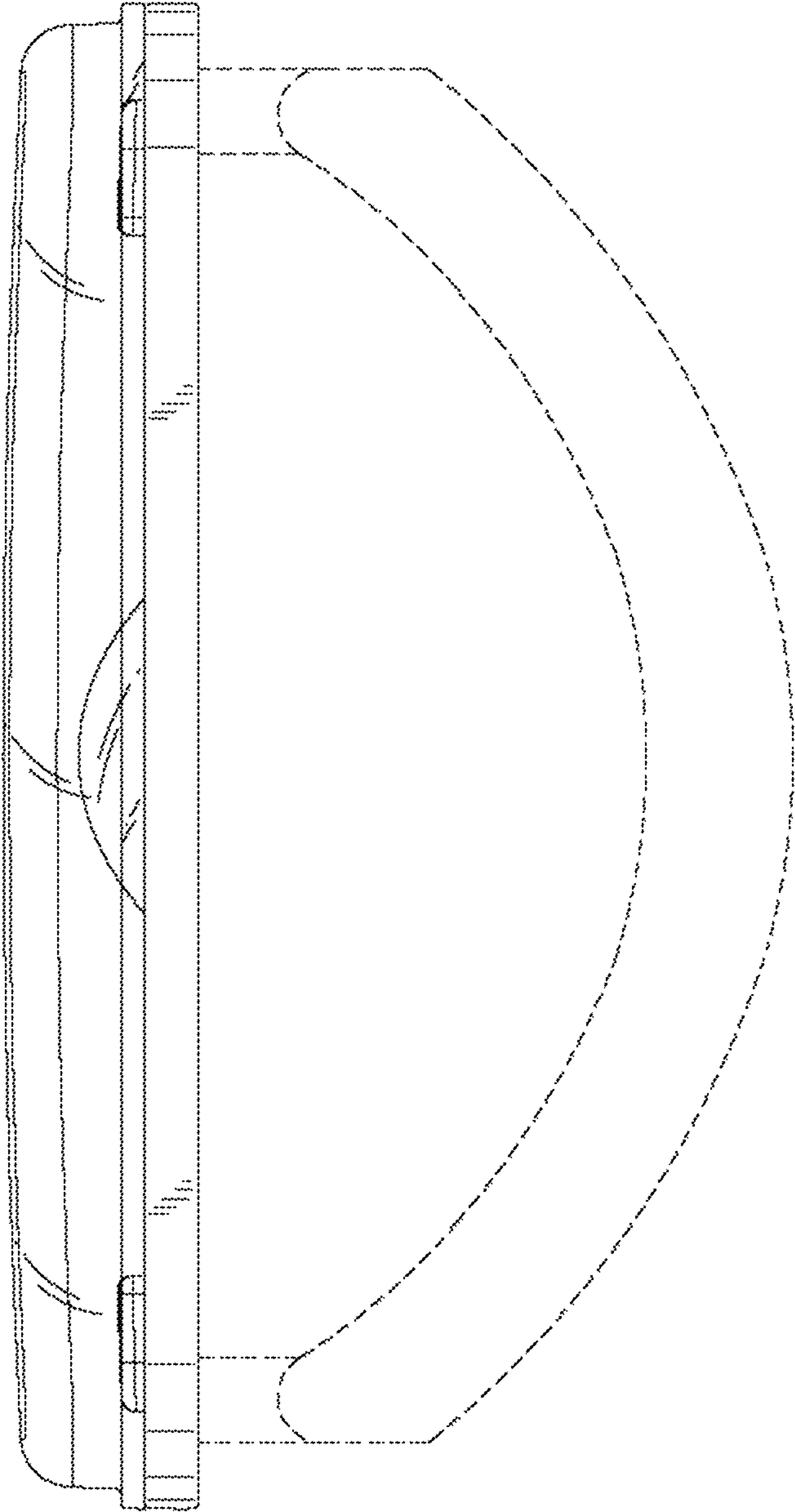


FIG.7