



US00D760931S

(12) **United States Design Patent**
Davies

(10) **Patent No.:** **US D760,931 S**

(45) **Date of Patent:** **** Jul. 5, 2016**

(54) **BICYCLE LIGHT**

(71) Applicant: **Tudor Edward Davies**, London (GB)

(72) Inventor: **Tudor Edward Davies**, London (GB)

(**) Term: **14 Years**

(21) Appl. No.: **29/517,090**

(22) Filed: **Feb. 10, 2015**

(51) **LOC (10) Cl.** **26-06**

(52) **U.S. Cl.**
USPC **D26/28**

(58) **Field of Classification Search**
USPC D26/28-36; 362/61, 80-83, 459-468,
362/475-478, 485-487
CPC F21S 48/00; F21S 48/10; F21S 48/115;
F21S 48/225; F21S 48/1233; F21S 48/1266;
F21S 48/1388; F21S 48/2268; F21V 21/04

See application file for complete search history.

(56) **References Cited**

U.S. PATENT DOCUMENTS

D540,966 S *	4/2007	Ueda	D26/28
D560,834 S *	1/2008	Nagano	D26/28
D584,840 S *	1/2009	Okuda	D26/28
D678,562 S *	3/2013	Chan	D26/28

* cited by examiner

Primary Examiner — Marcus Jackson

(74) *Attorney, Agent, or Firm* — Richard M. Goldberg

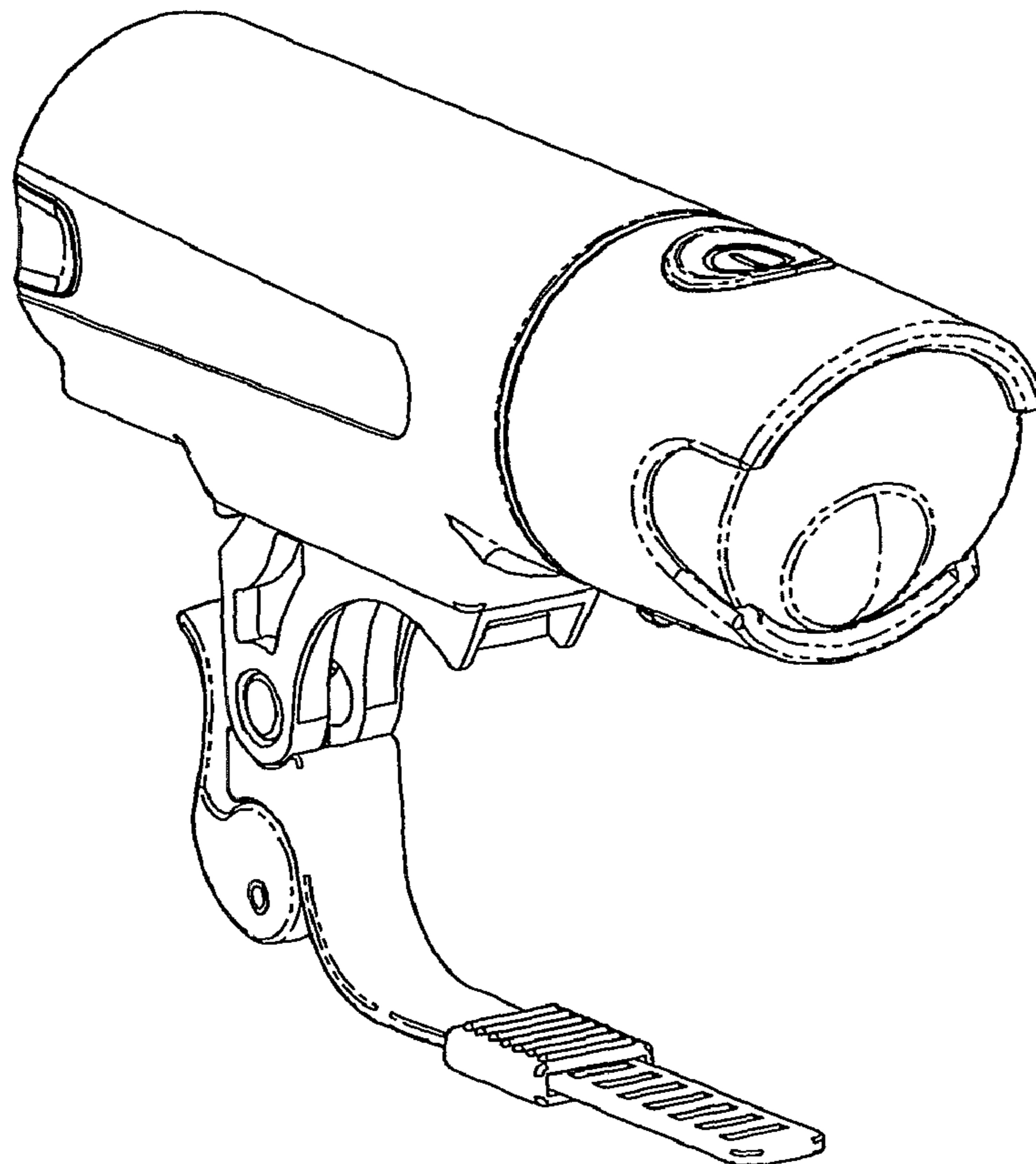
(57) **CLAIM**

The ornamental design for a bicycle light, as shown and described.

DESCRIPTION

FIG. 1 is a perspective view of the bicycle light of my design; FIG. 2 is a left side elevational view thereof; FIG. 3 is a right side elevational view thereof; FIG. 4 is a top plan view thereof; FIG. 5 is a bottom plan view thereof; FIG. 6 is a front elevational view thereof; and, FIG. 7 is a rear elevational view thereof. The dashed lines indicate points of curvature and do not form parts of the invention.

1 Claim, 7 Drawing Sheets



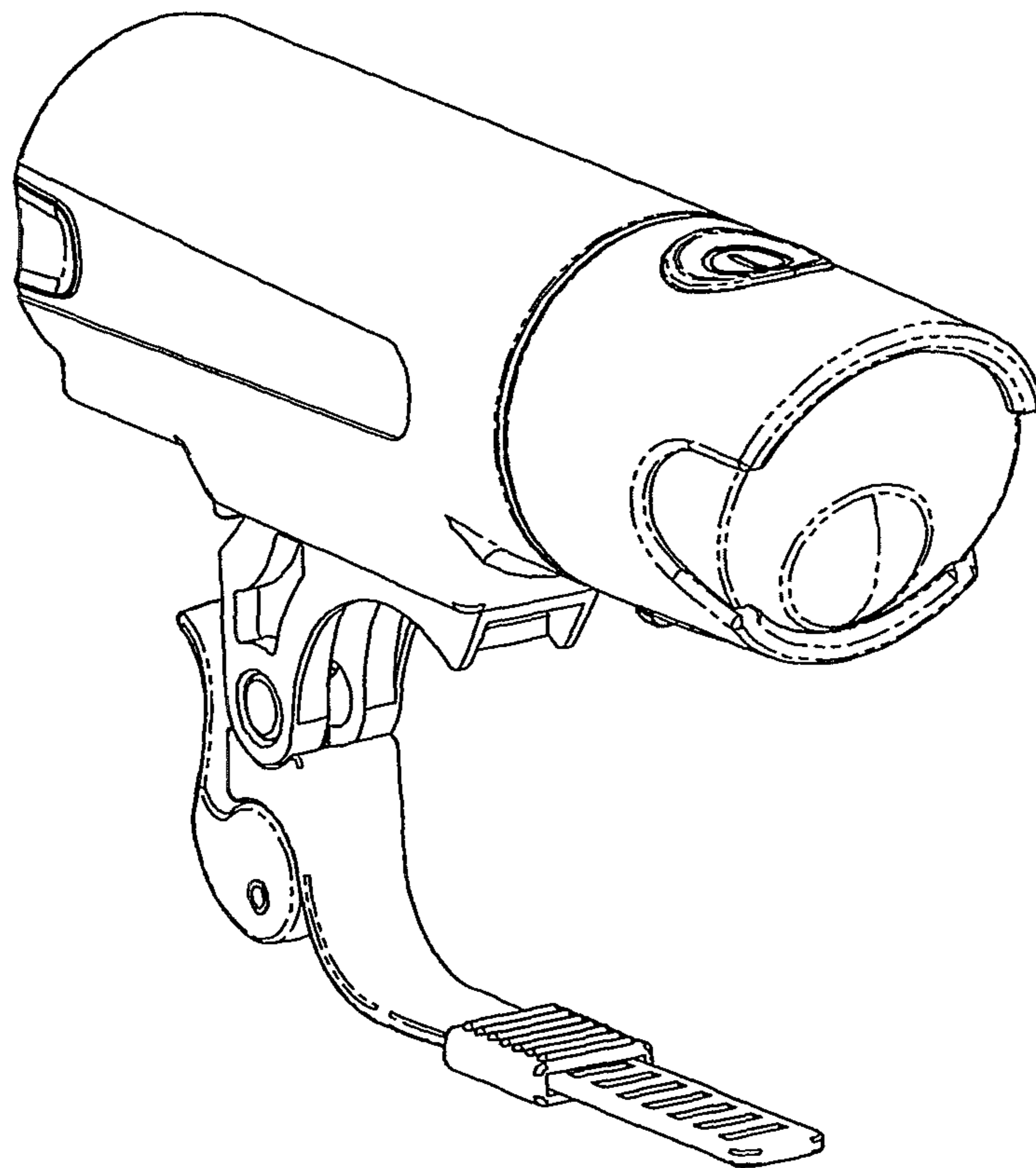


FIG. 1

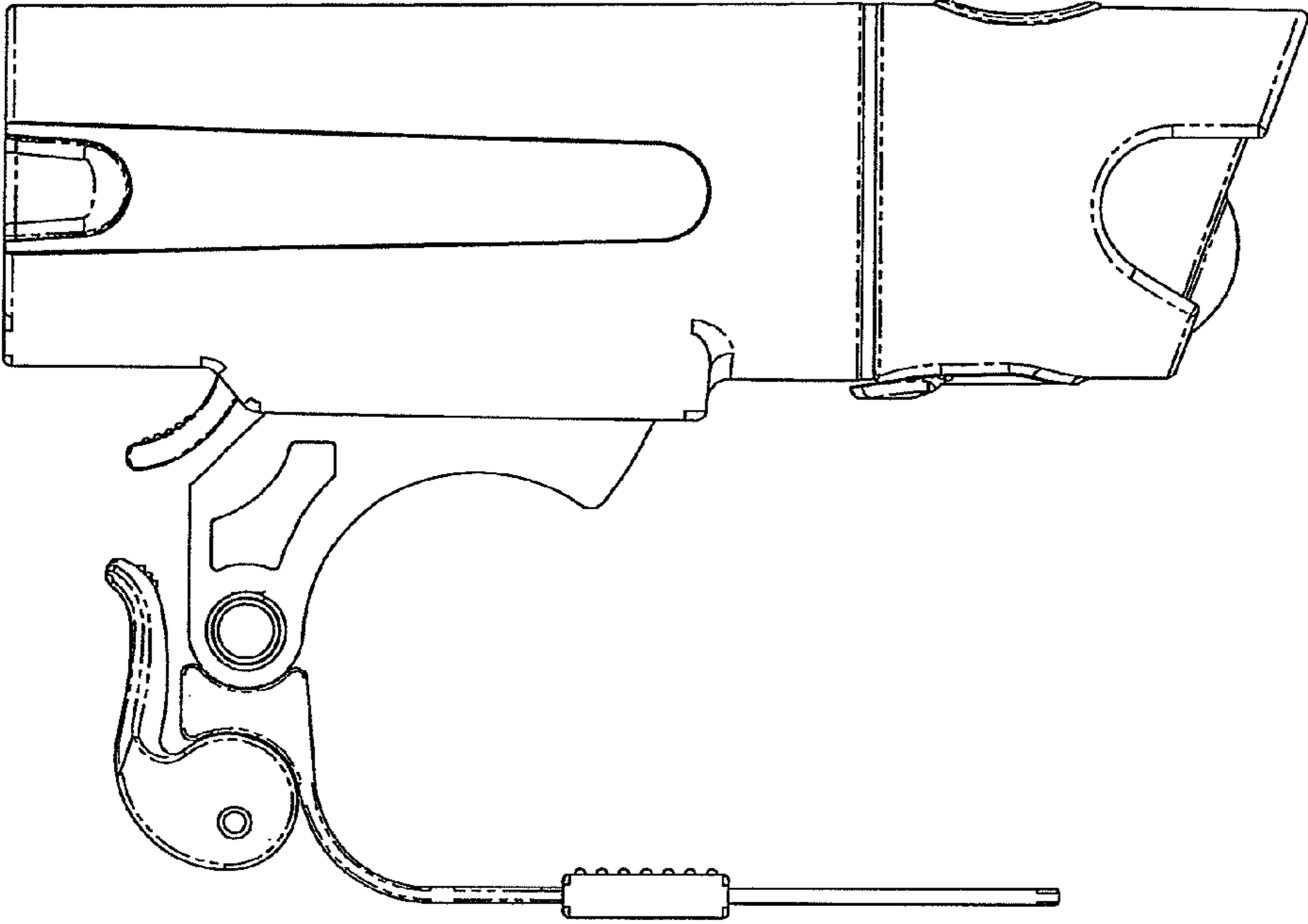


FIG. 2

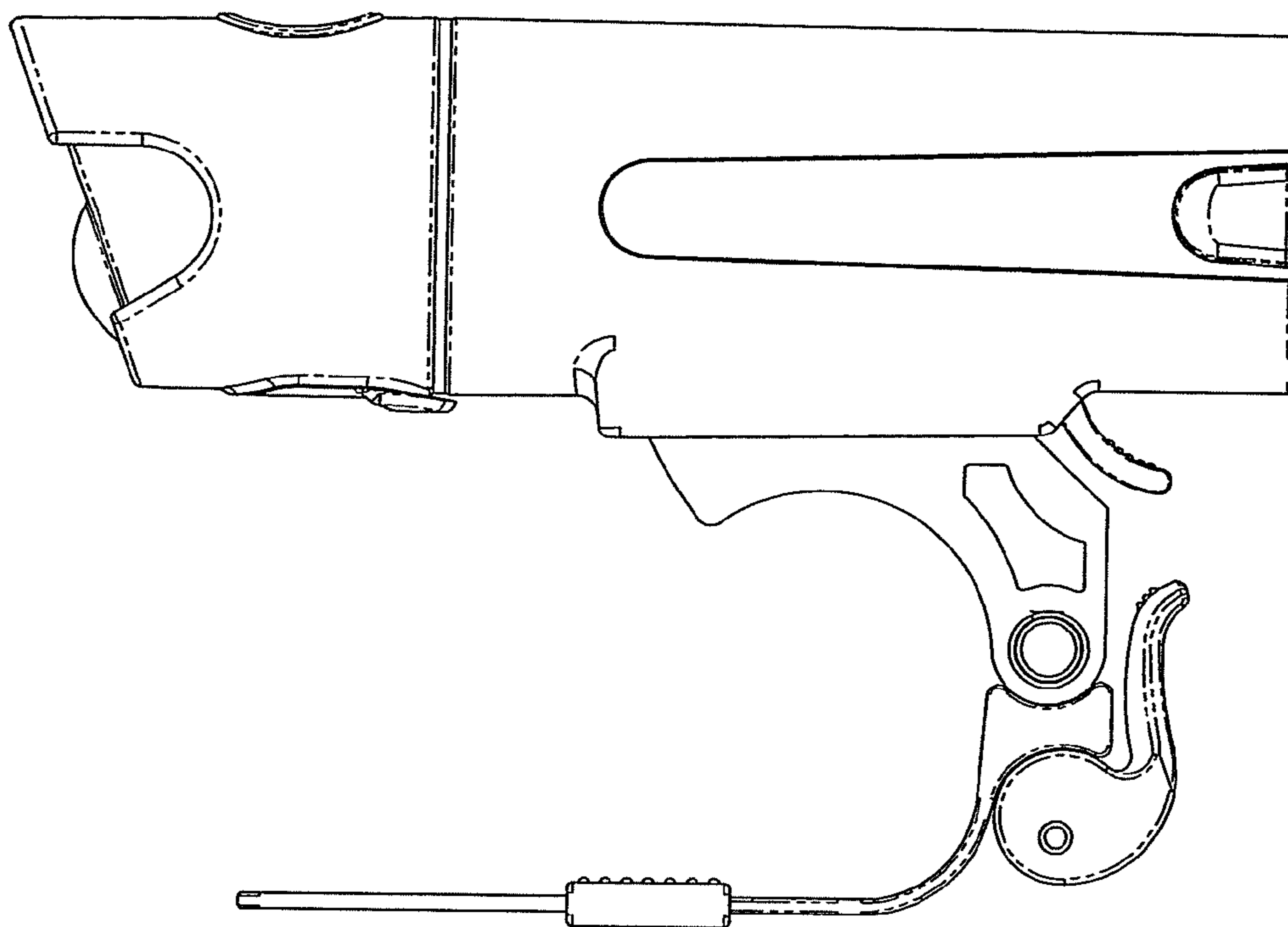


FIG. 3

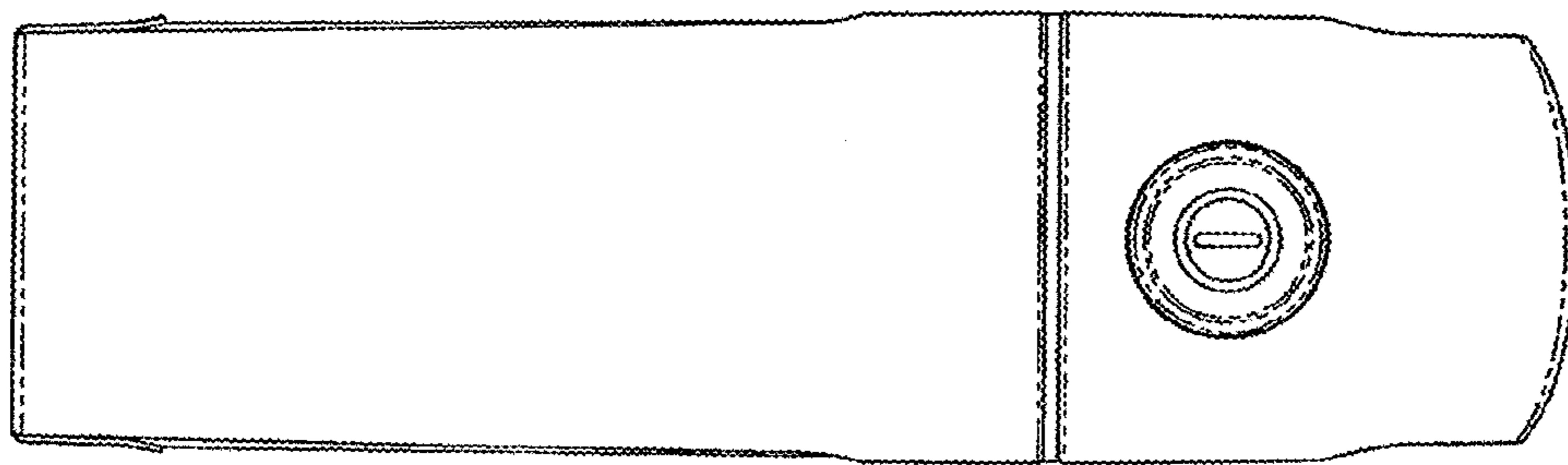


FIG. 4

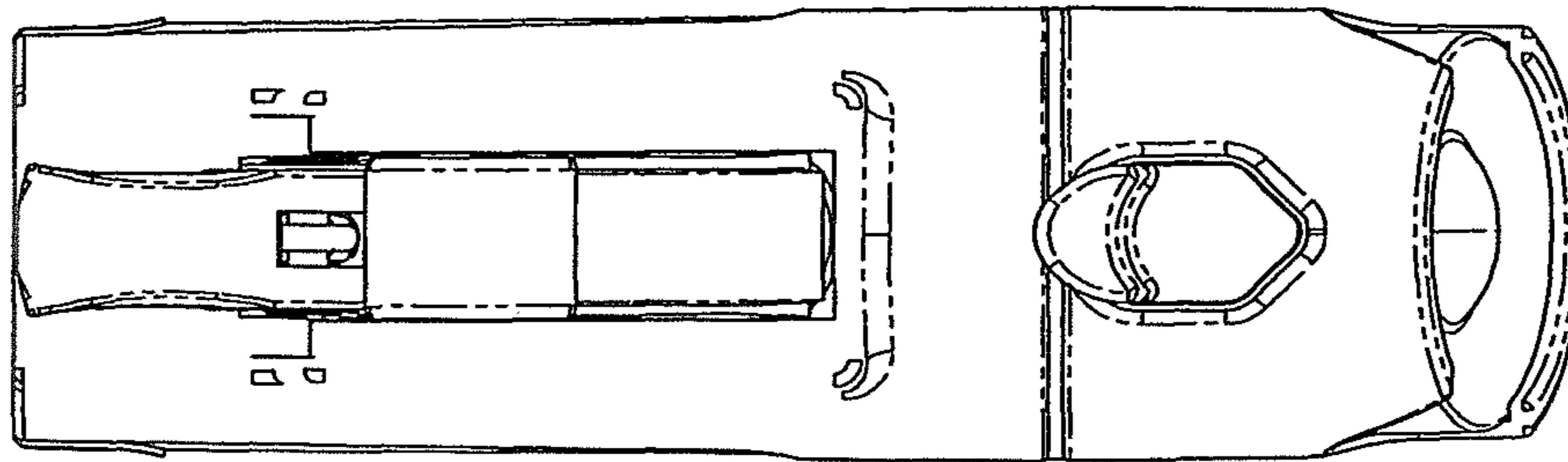


FIG. 5

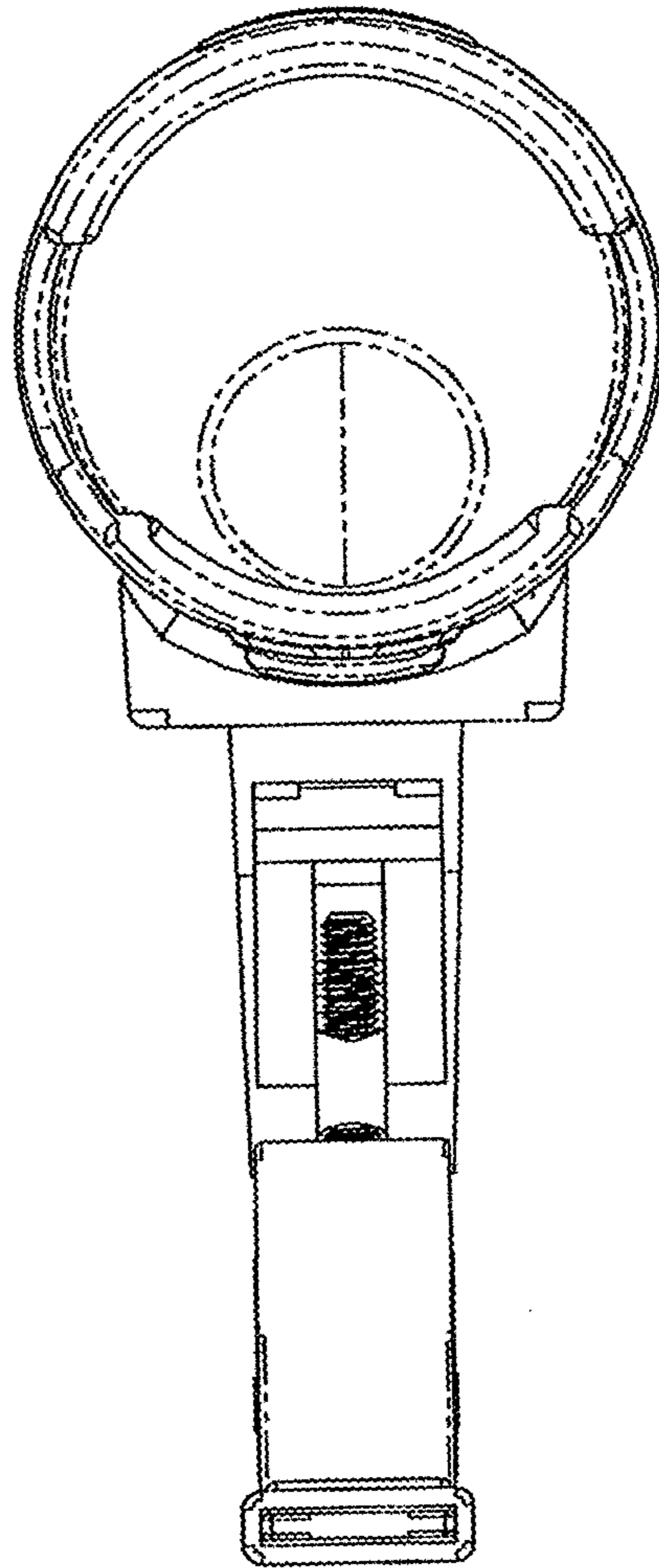


FIG. 6

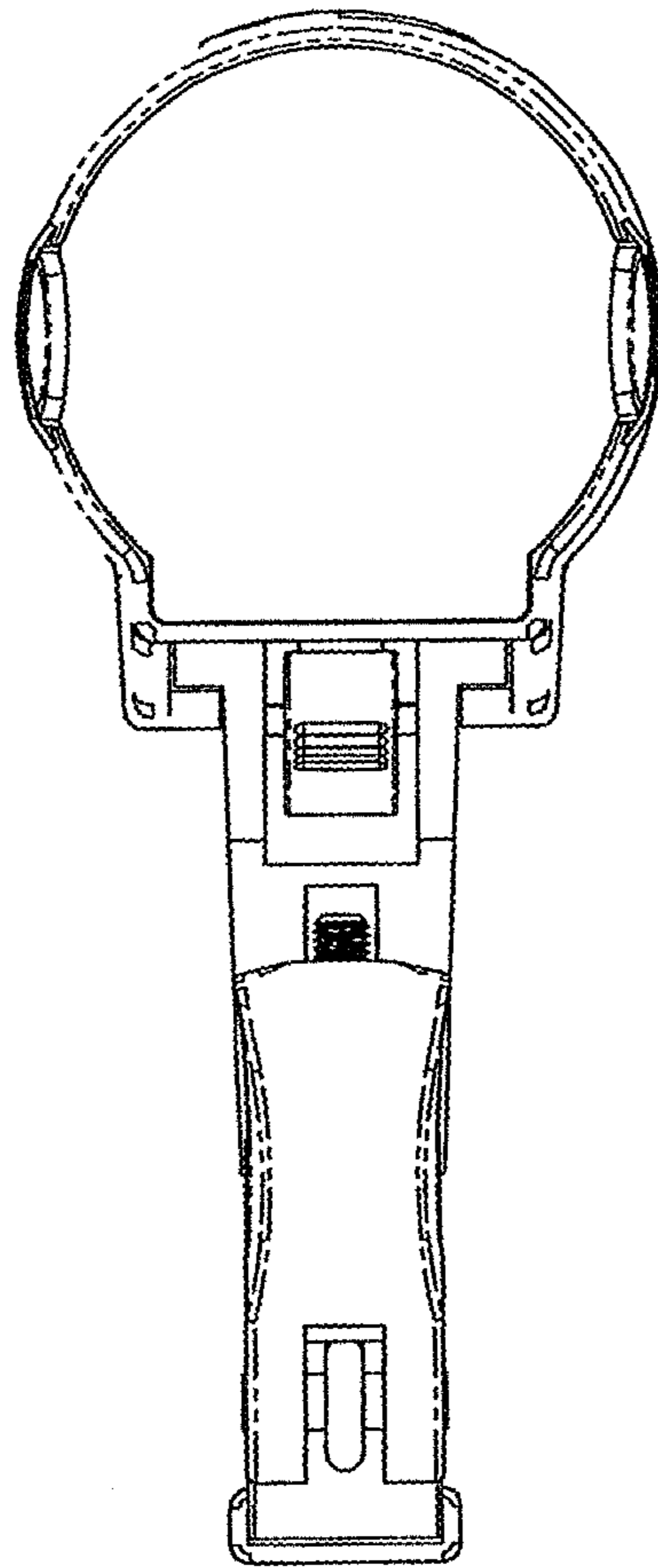


FIG. 7