



US00D760926S

(12) **United States Design Patent**
Cugini et al.

(10) **Patent No.:** **US D760,926 S**

(45) **Date of Patent:** **** Jul. 5, 2016**

(54) **LAMP WITH CHANGEABLE LENSES**

D711,028 S * 8/2014 Pritchett D26/37

(71) Applicant: **Foxfury LLC**, Oceanside, CA (US)

* cited by examiner

(72) Inventors: **Mario A. Cugini**, Vista, CA (US);
Thomas J. Horner, Vista, CA (US)

Primary Examiner — Brian N Vinson

(74) *Attorney, Agent, or Firm* — Palomar Patent; CalifTervo

(73) Assignee: **Foxfury, LLC**, Oceanside, CA (US)

(57) **CLAIM**

The ornamental design for a lamp with changeable lenses, showing the new design as shown and described.

(**) Term: **14 Years**

DESCRIPTION

(21) Appl. No.: **29/511,594**

(22) Filed: **Dec. 11, 2014**

(51) **LOC (10) Cl.** **26-03**

(52) **U.S. Cl.**
USPC **D26/24**

(58) **Field of Classification Search**
USPC D26/37-51, 56-60, 67, 24
CPC F21L 4/00; F21L 4/022; F21L 4/025;
F21L 4/027; F21L 7/00; F21L 19/00; F21V
21/084; F21V 21/0085; F21W 2111/10
See application file for complete search history.

FIG. 1 is a top, front, left side perspective view of a lamp with changeable lenses showing the new design; it being understood that the broken lines are for illustrative purposes only and form no part of the claimed design;

FIG. 2 is a top, front, left side perspective view of a lamp with changeable lenses shown with the lens in a first alternate position for clarity of disclosure;

FIG. 3 is a top, front, left side perspective view of a lamp with changeable lenses shown with the lens in a second alternate position for clarity of disclosure;

FIG. 4 is a front elevation view of the lamp with changeable lenses of FIG. 1;

FIG. 5 is a rear elevation view thereof;

FIG. 6 is a right side elevation view thereof;

FIG. 7 is a left side elevation view thereof;

FIG. 8 is a top plan view thereof; and,

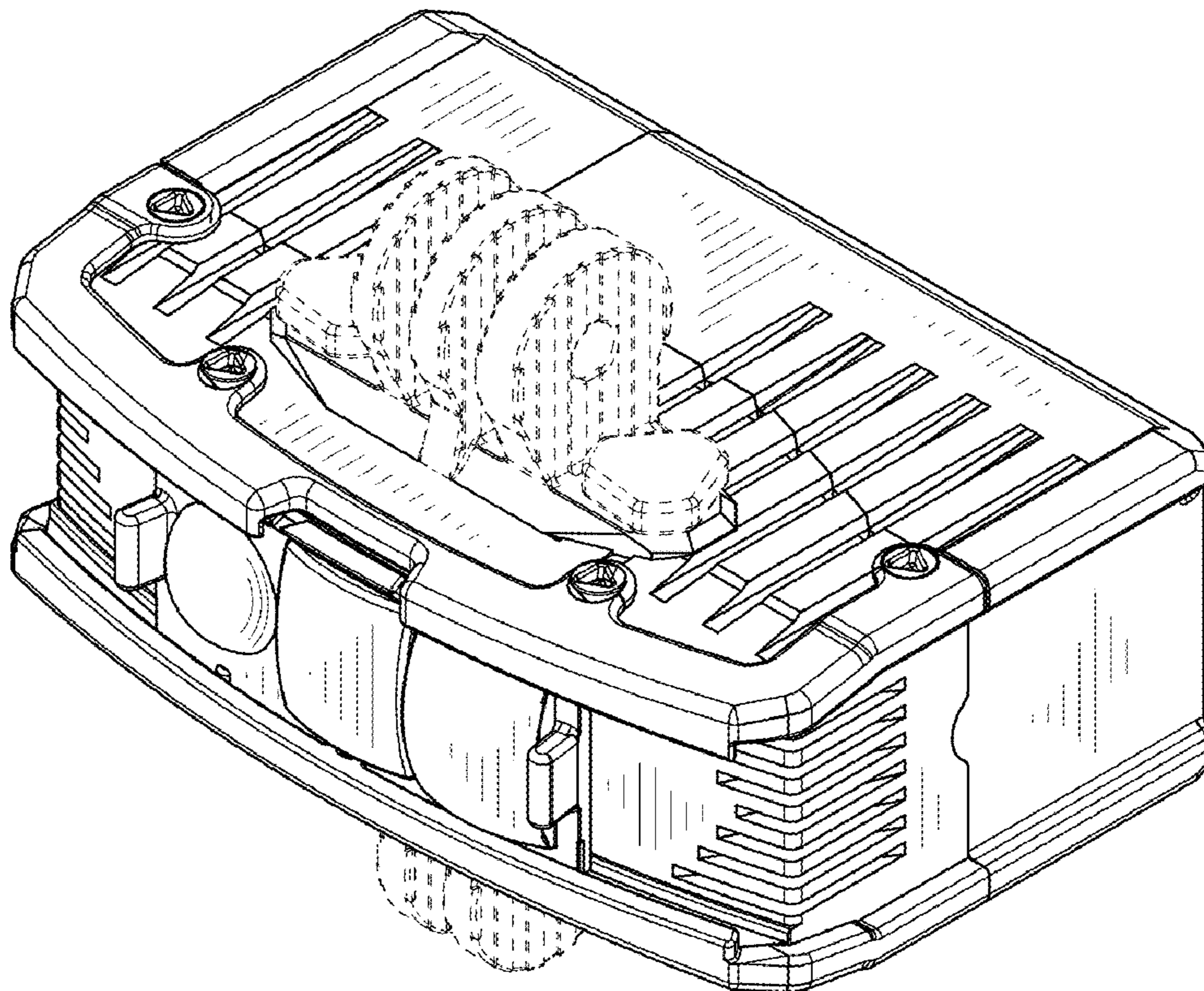
FIG. 9 is bottom plan view thereof.

(56) **References Cited**

U.S. PATENT DOCUMENTS

D440,673 S * 4/2001 Handsaker D26/24
D535,761 S * 1/2007 Li D26/24
D543,650 S * 5/2007 Rothman D26/37

1 Claim, 5 Drawing Sheets



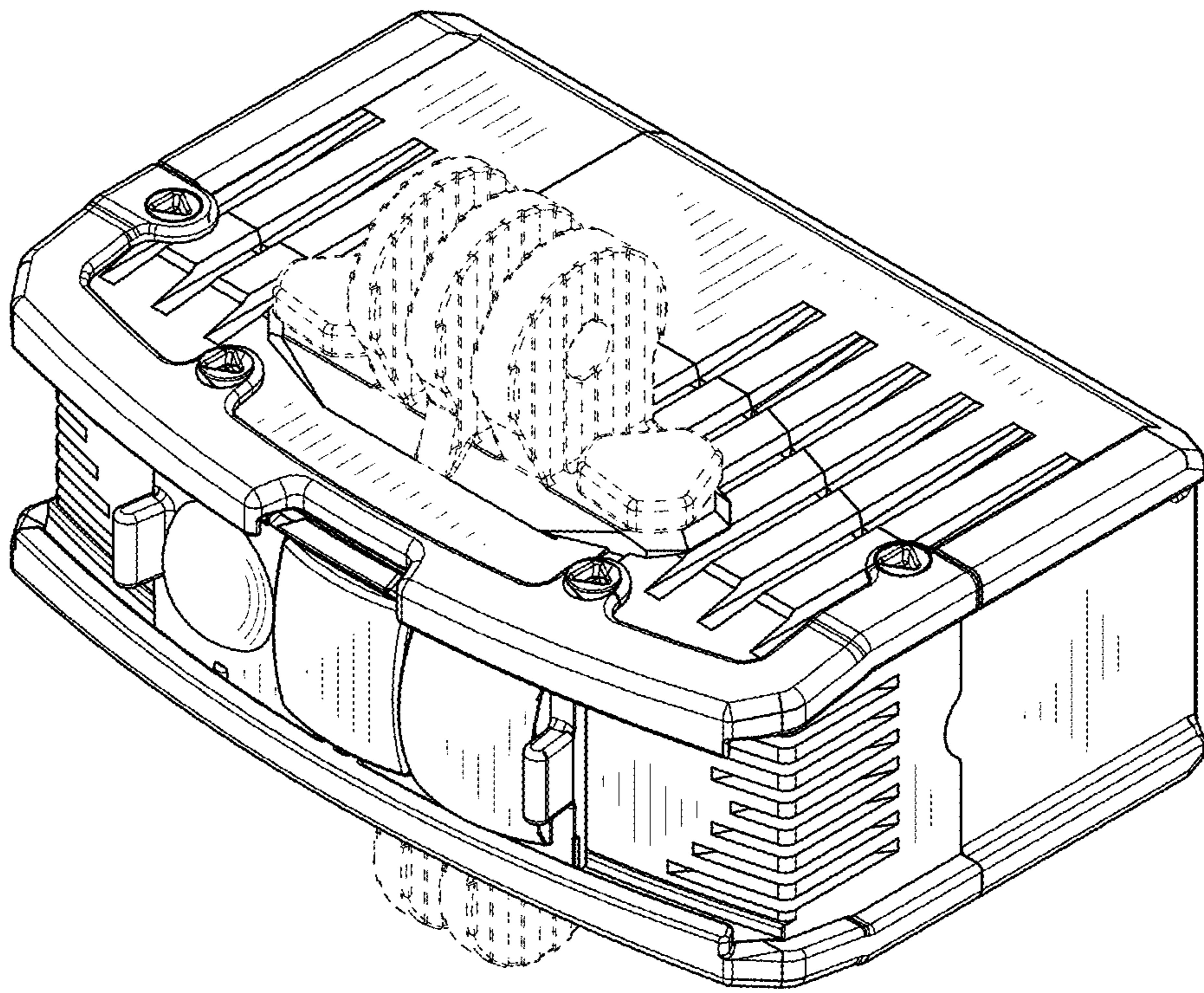


FIG. 1

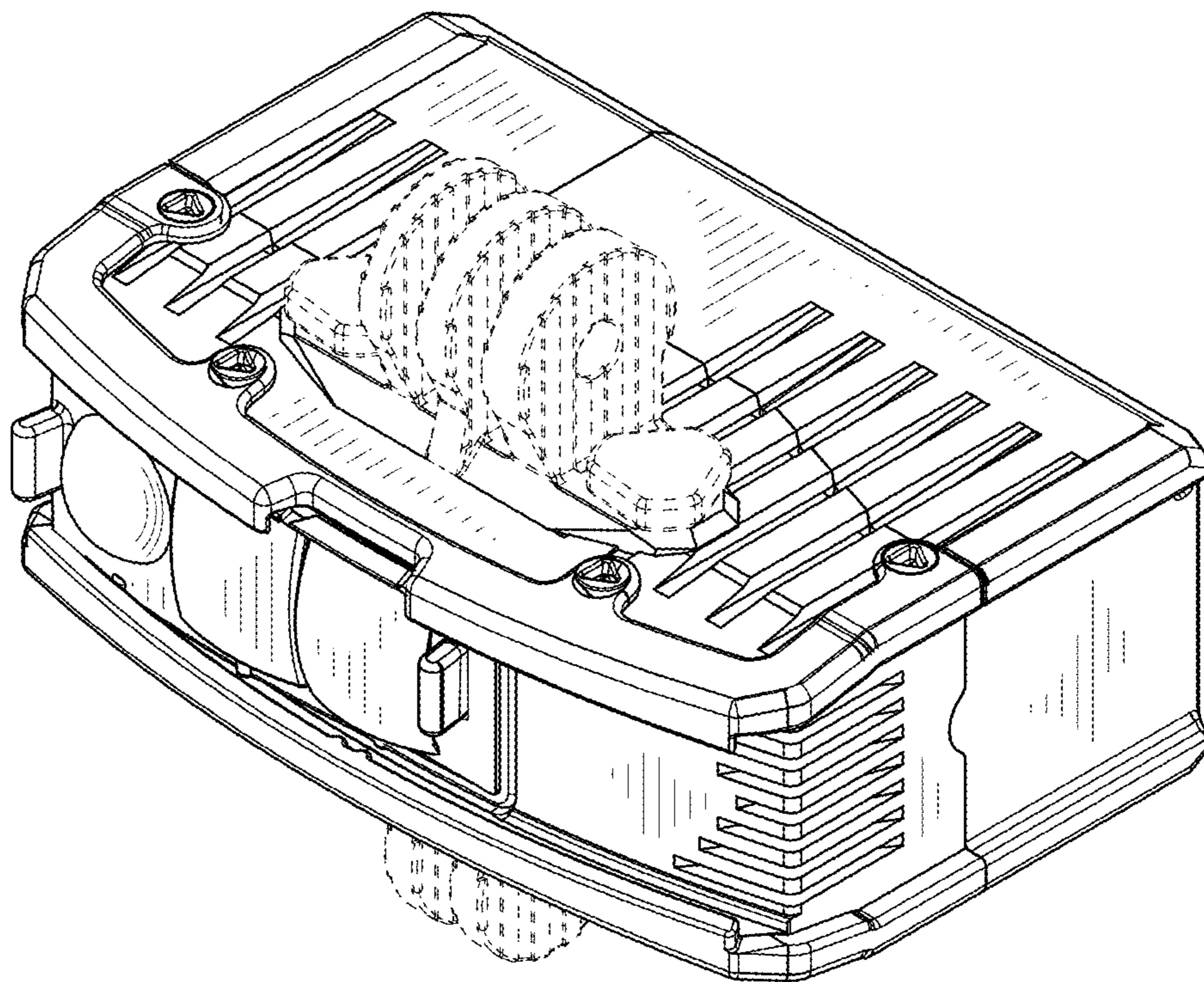


FIG. 2

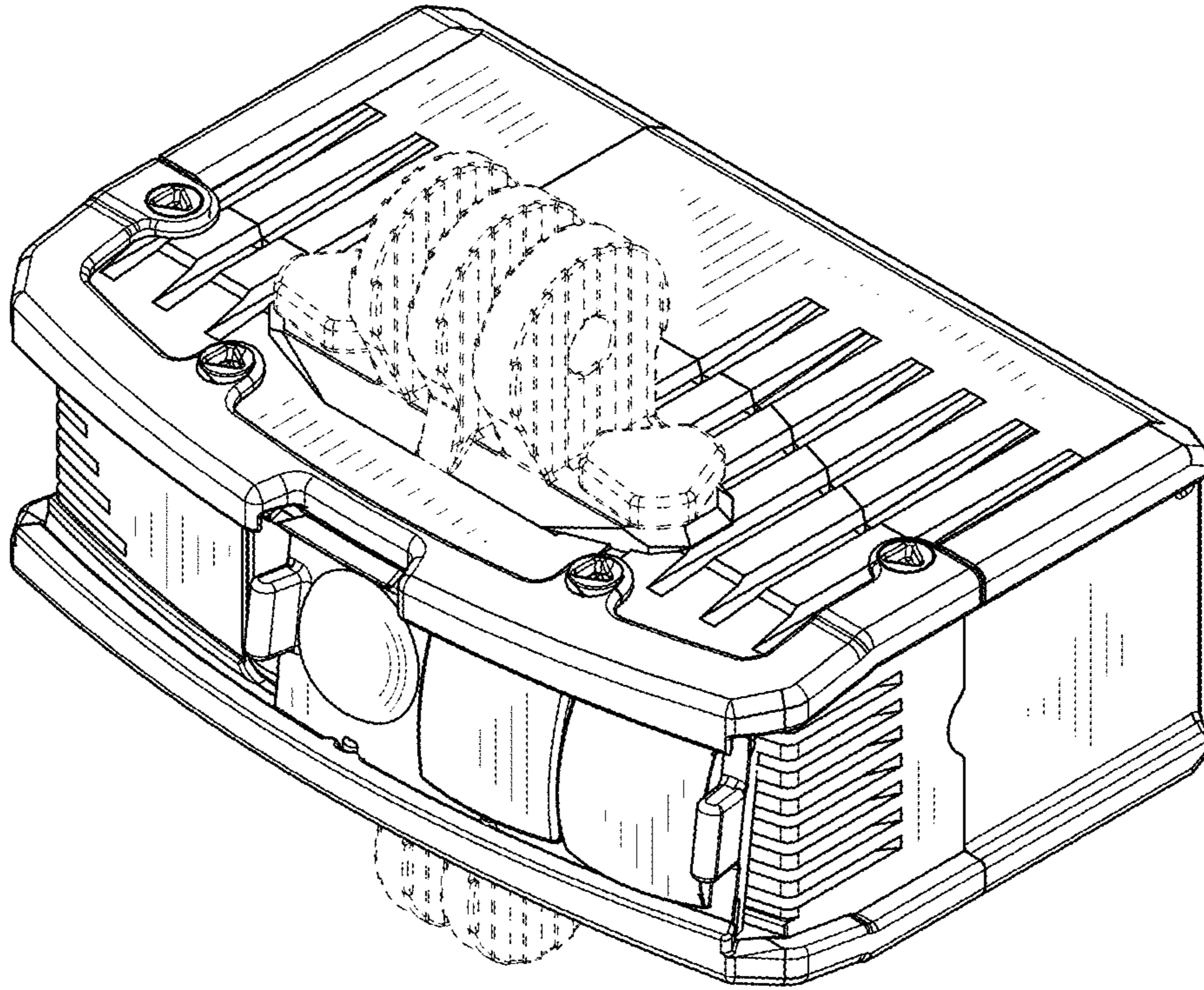


FIG. 3

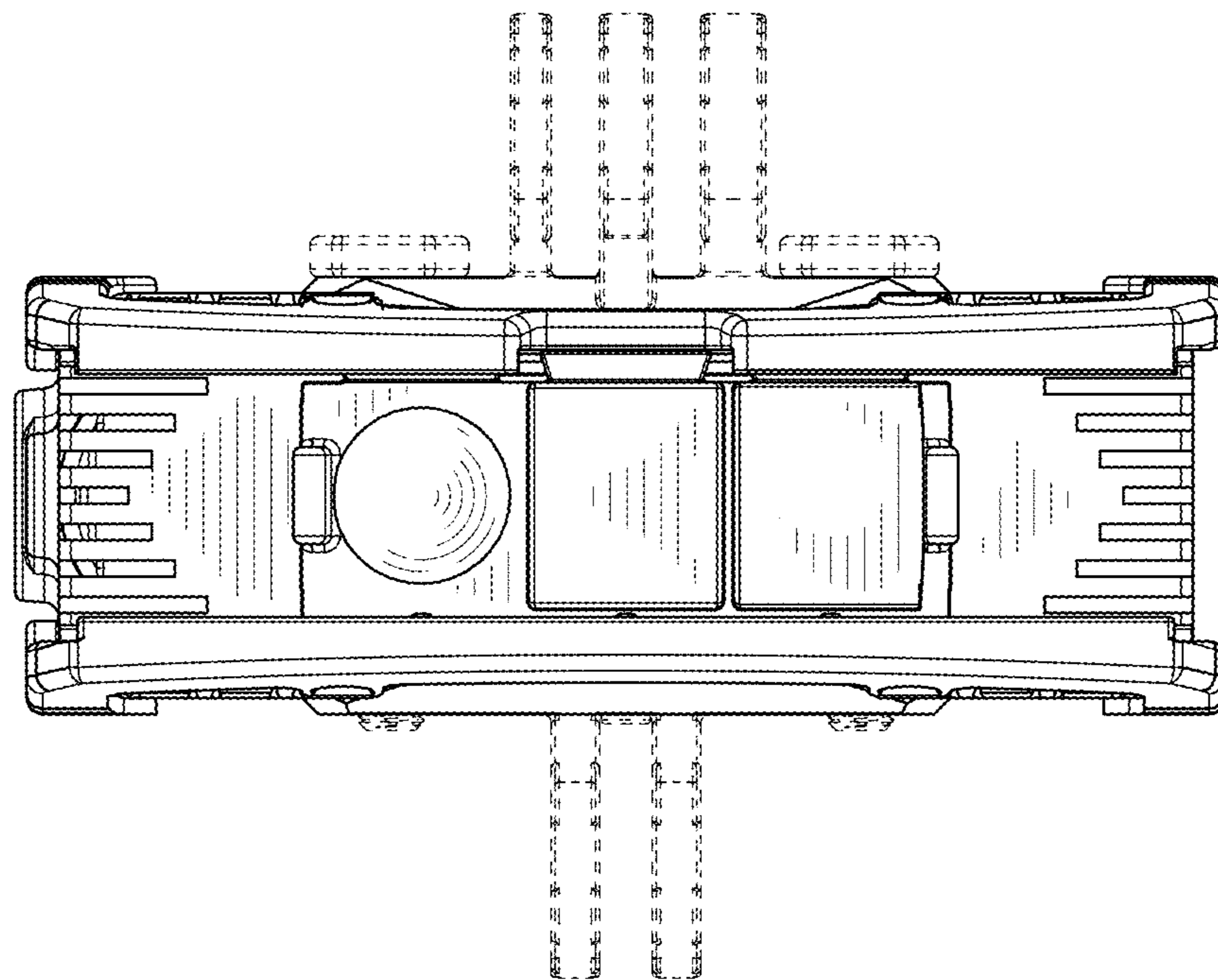


FIG. 4

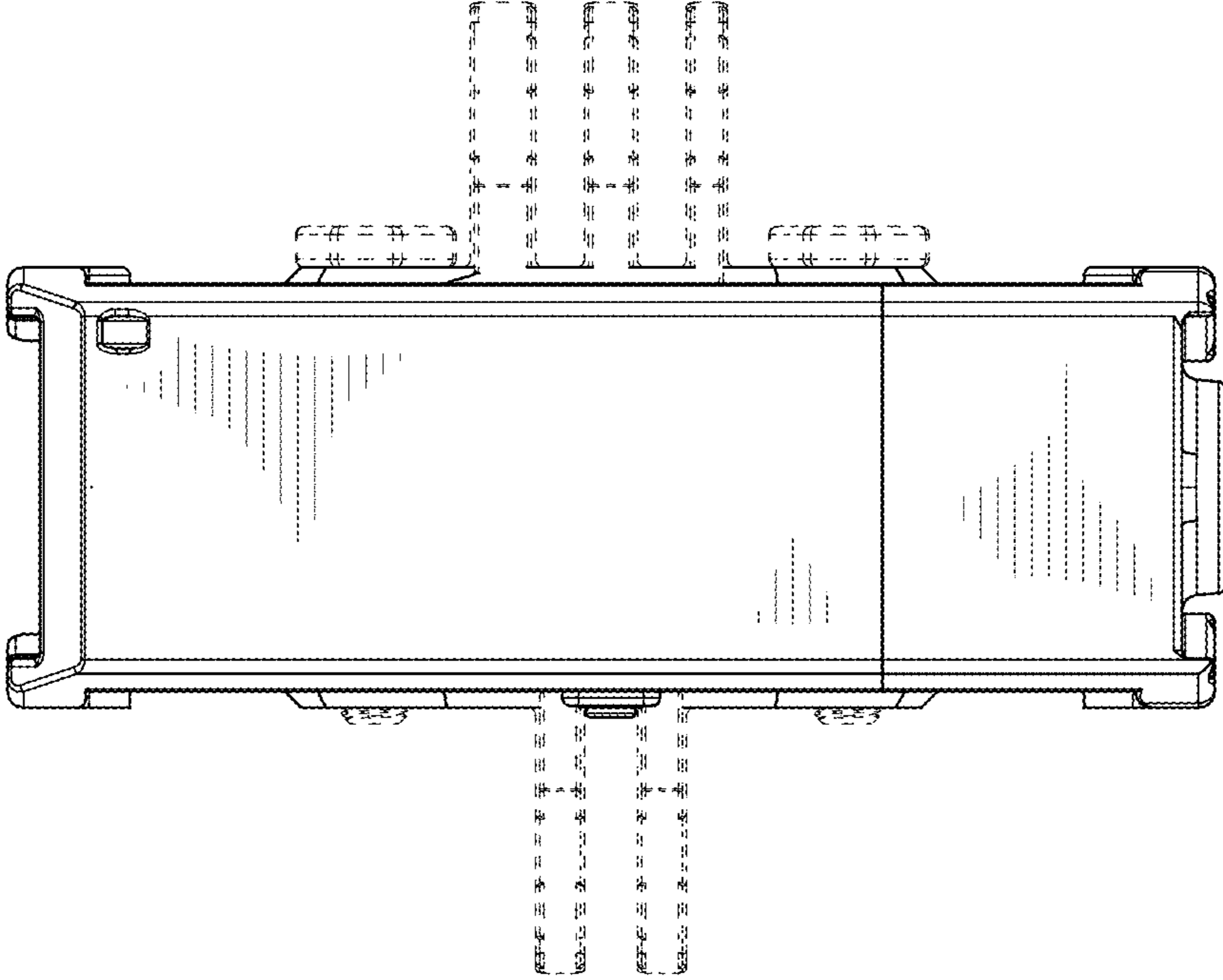


FIG. 5

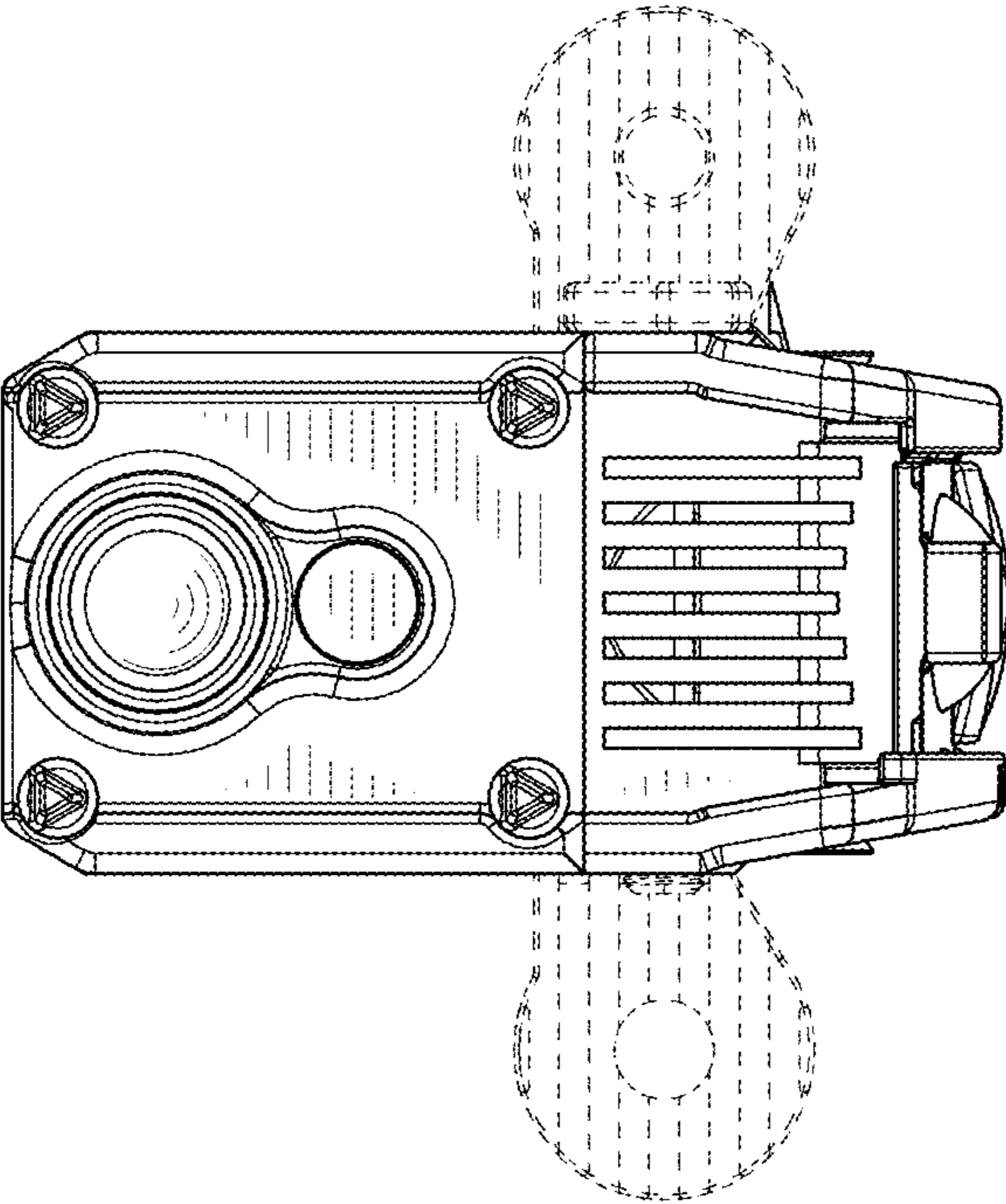


FIG. 6

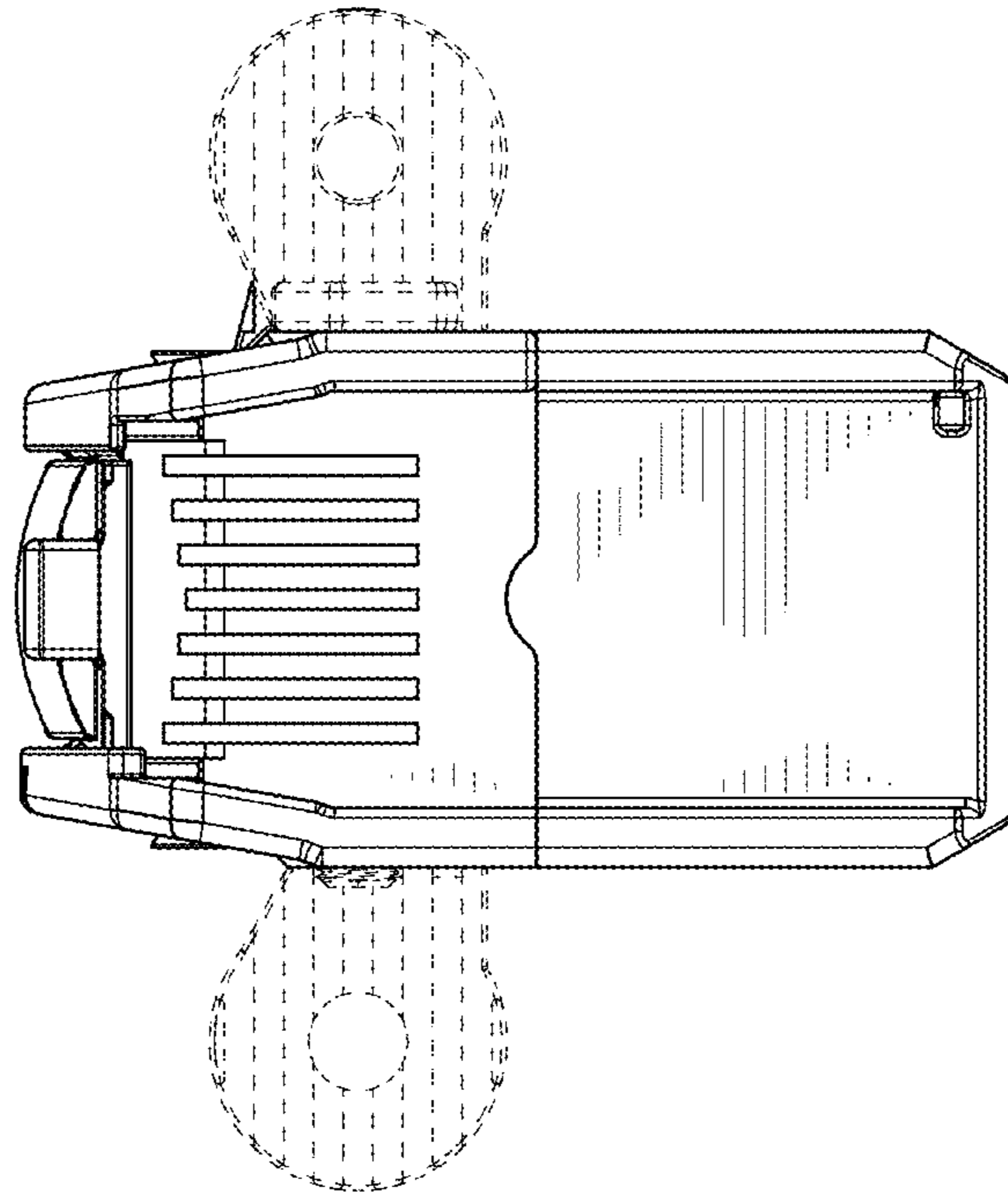


FIG. 7

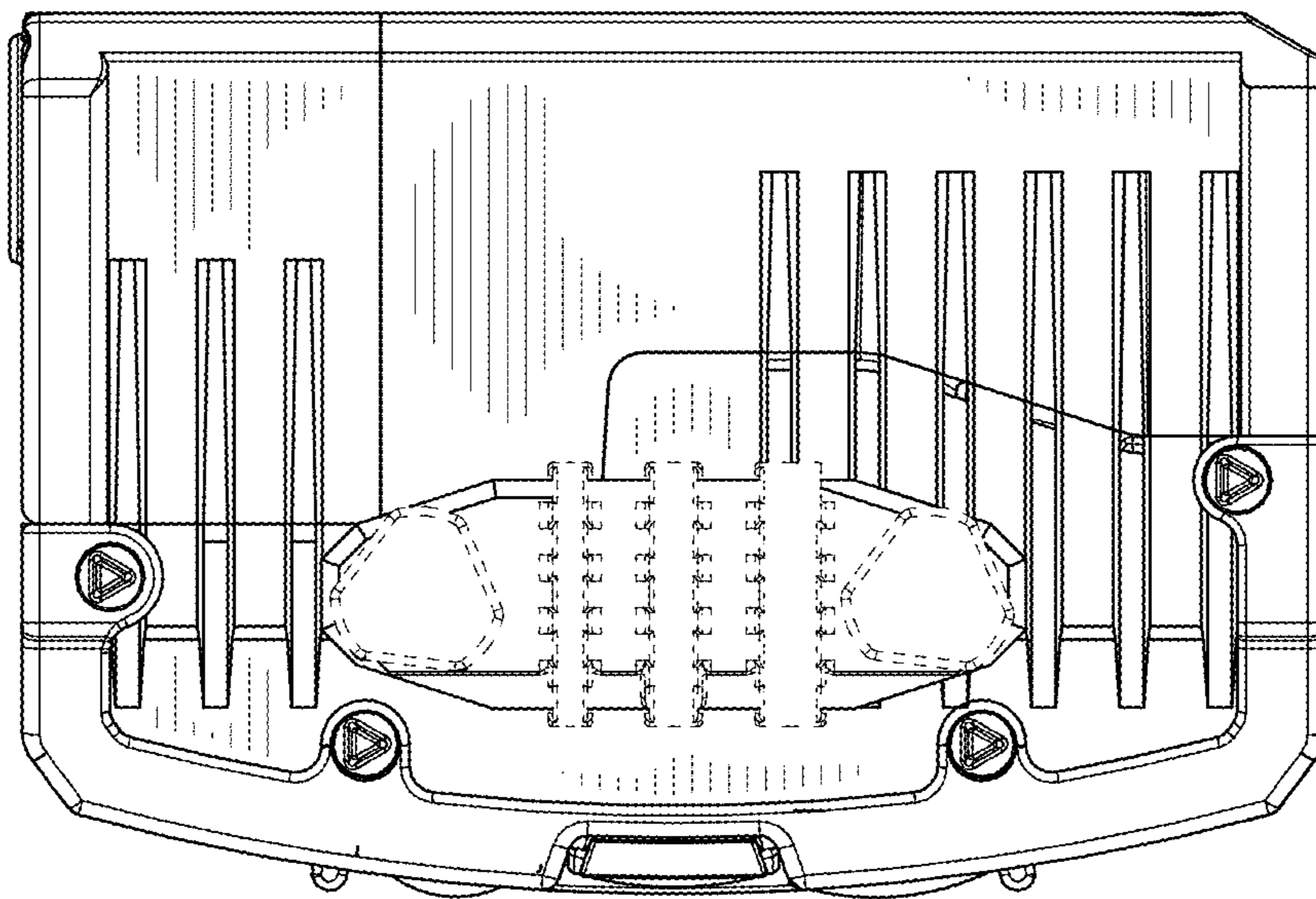


FIG. 8

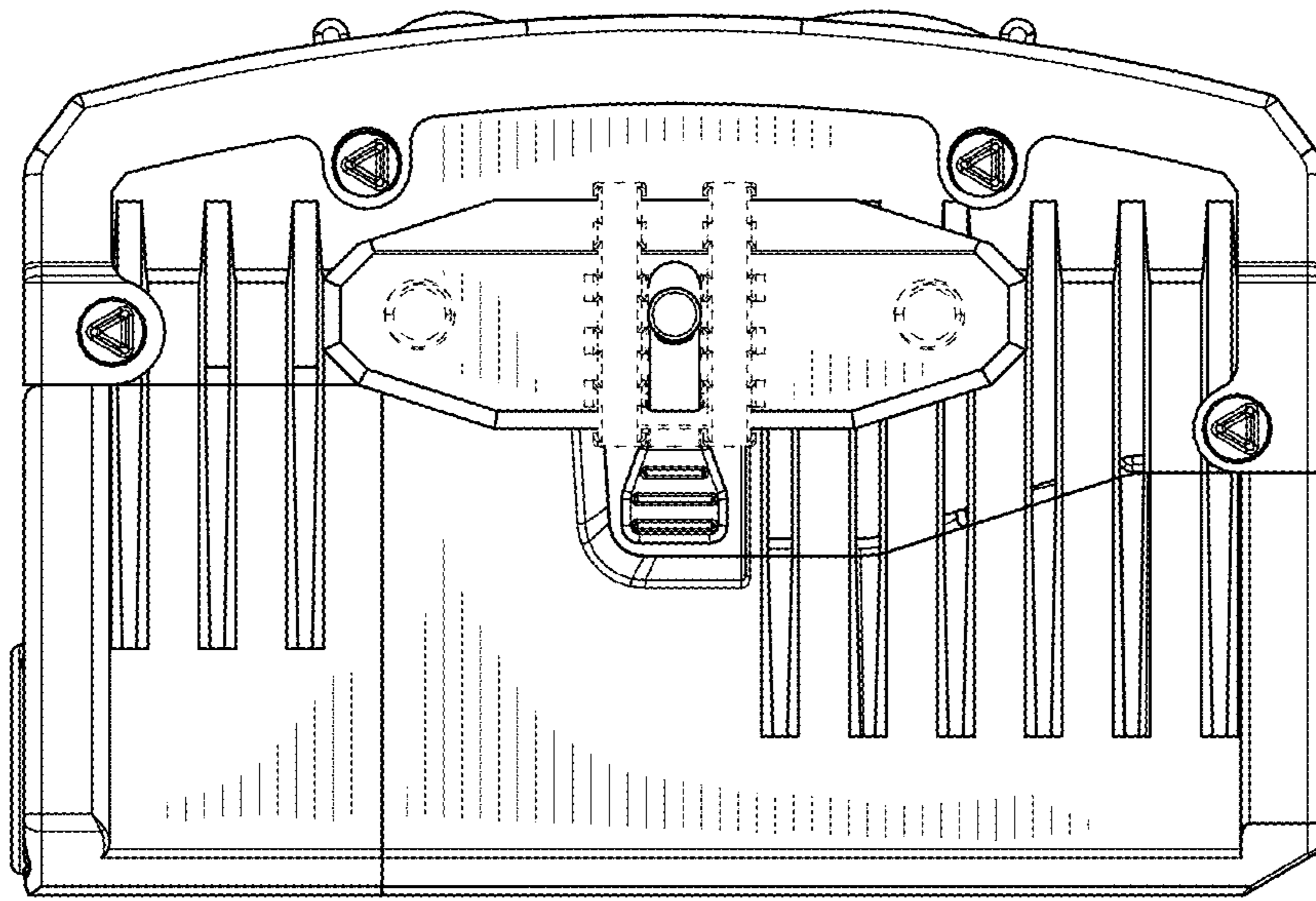


FIG. 9