



US00D760919S

(12) **United States Design Patent**  
**Bilge**

(10) **Patent No.:** **US D760,919 S**  
(45) **Date of Patent:** **\*\* Jul. 5, 2016**

- (54) **WALL PANEL**
- (71) Applicant: **Henry H. Bilge**, Fort Lee, NJ (US)
- (72) Inventor: **Henry H. Bilge**, Fort Lee, NJ (US)
- (\*\*) Term: **14 Years**
- (21) Appl. No.: **29/520,342**
- (22) Filed: **Mar. 13, 2015**
- (51) **LOC (10) Cl.** ..... **25-01**
- (52) **U.S. Cl.**  
USPC ..... **D25/138**
- (58) **Field of Classification Search**  
USPC ..... D25/112, 113, 115, 126, 138, 158, 58,  
D25/60, 136, 142-143, 153, 159, 163;  
D9/636, 745; 59/272  
CPC ..... E04B 1/00; E04B 2/00; E04B 2/72;  
E04B 9/008; E04B 9/00; E04F 13/007  
See application file for complete search history.

- D453,847 S \* 2/2002 Ohanesian ..... D25/163
- D474,958 S \* 5/2003 Perdue ..... D8/349
- D552,766 S \* 10/2007 Kaump ..... D25/163
- D578,668 S \* 10/2008 Delmestri ..... D25/158
- D578,669 S \* 10/2008 Kaump ..... D25/163
- D579,128 S \* 10/2008 Kaump ..... D25/163
- D582,574 S \* 12/2008 Mackenzie ..... D25/138
- D608,473 S \* 1/2010 Larson ..... D25/138
- D677,404 S \* 3/2013 Griffiths ..... D25/119
- D679,031 S \* 3/2013 Amend ..... D25/138
- D679,838 S \* 4/2013 Amend ..... D25/138
- D723,718 S \* 3/2015 Gray ..... D25/138
- D729,951 S \* 5/2015 Narbonne ..... D25/138
- D739,962 S \* 9/2015 Zuo ..... D25/163
- D739,964 S \* 9/2015 Zuo ..... D25/163
- D746,486 S \* 12/2015 Bilge ..... D25/125
- D746,487 S \* 12/2015 Bilge ..... D25/125
- D747,005 S \* 1/2016 Bilge ..... D25/125
- D748,824 S \* 2/2016 Persons, Jr. .... D25/126

\* cited by examiner

*Primary Examiner* — Rosemary K Tarcza  
*Assistant Examiner* — James Thorn, Sr.

(56) **References Cited**

U.S. PATENT DOCUMENTS

- D244,545 S \* 5/1977 Tellman ..... D25/163
- D244,548 S \* 5/1977 Tellman ..... D25/150
- D244,549 S \* 5/1977 Tellman ..... D25/150
- D272,093 S \* 1/1984 Fish ..... D24/202
- D273,136 S \* 3/1984 Varela ..... D25/160
- D273,137 S \* 3/1984 Varela ..... D25/157
- D337,834 S \* 7/1993 Kearns ..... D25/138
- D339,706 S \* 9/1993 Marostica ..... D6/407
- D340,536 S \* 10/1993 Adolfsson ..... D25/138
- D415,580 S \* 10/1999 Keating ..... D25/138
- D430,069 S \* 8/2000 Collie, Jr. .... D12/106
- D440,327 S \* 4/2001 Keating ..... D25/138
- D451,214 S \* 11/2001 Gollob ..... D25/156
- D453,577 S \* 2/2002 Ohanesian ..... D25/163

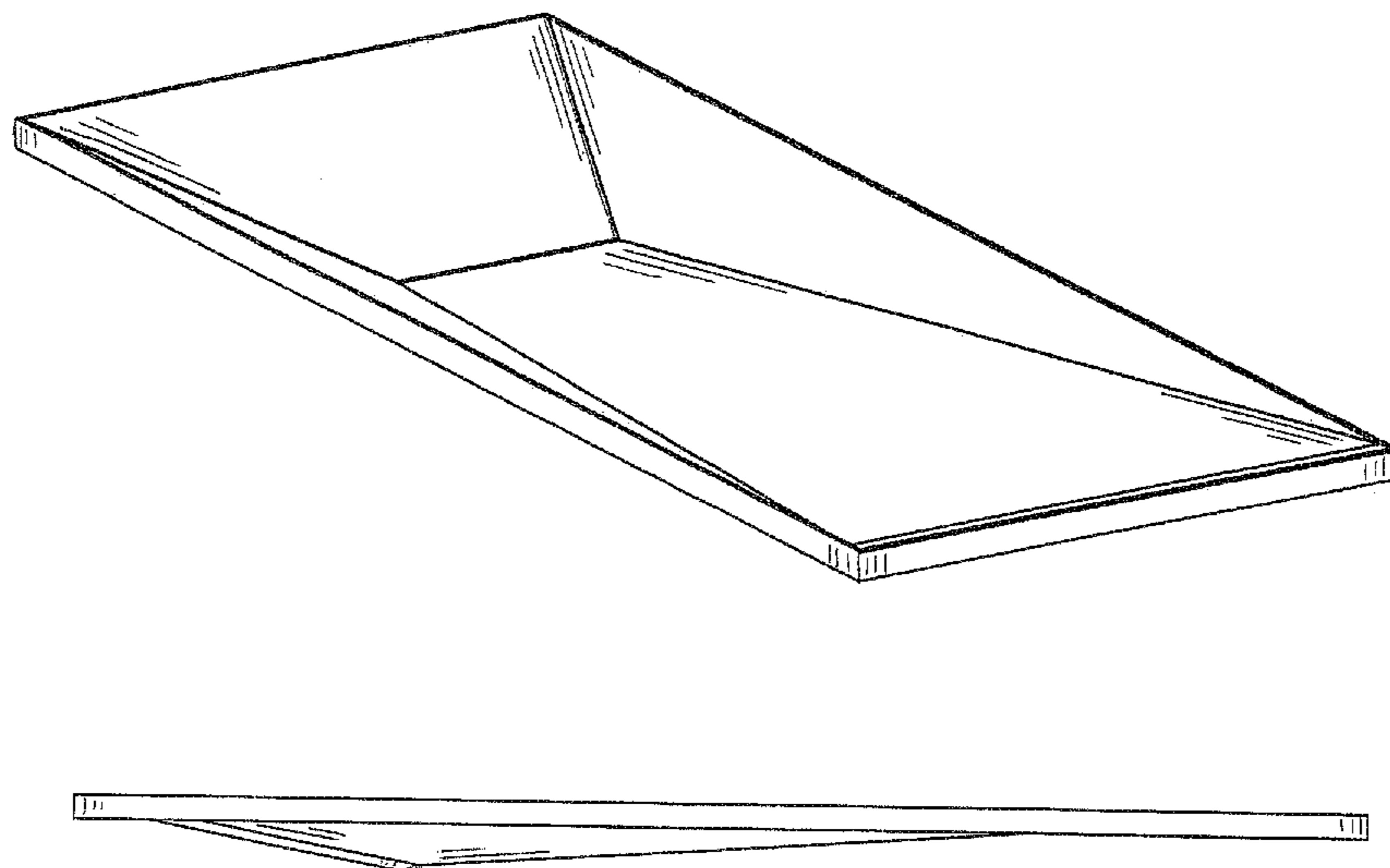
(57) **CLAIM**

The ornamental design for a wall panel, as shown and described.

**DESCRIPTION**

FIG. 1 is a top perspective view of the wall panel;  
FIG. 2 is a bottom perspective view thereof;  
FIG. 3 is a top plan view thereof;  
FIG. 4 is a left side elevational view thereof, with the right side elevational view being a mirror image;  
FIG. 5 is a front elevational view thereof, with the rear elevational view being a mirror image; and,  
FIG. 6 is a bottom plan view thereof.

**1 Claim, 4 Drawing Sheets**



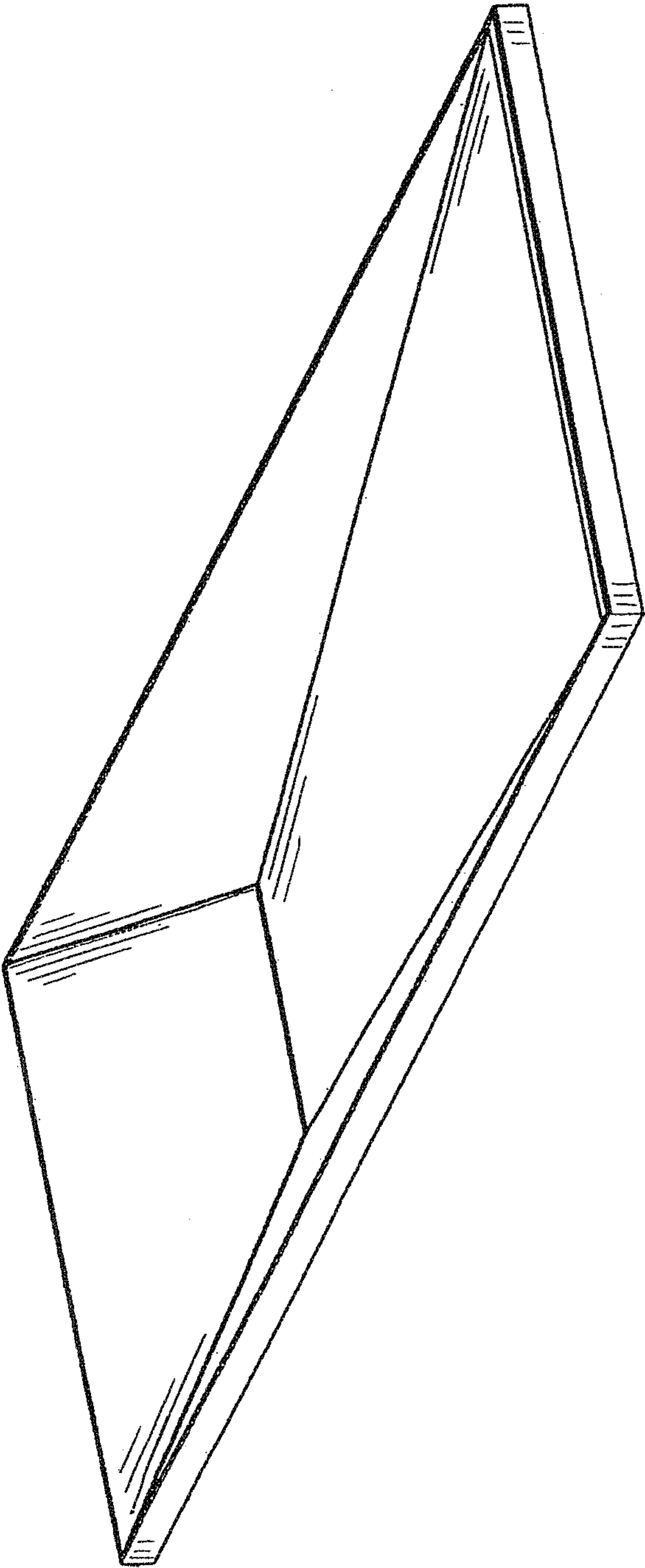


FIG. 1

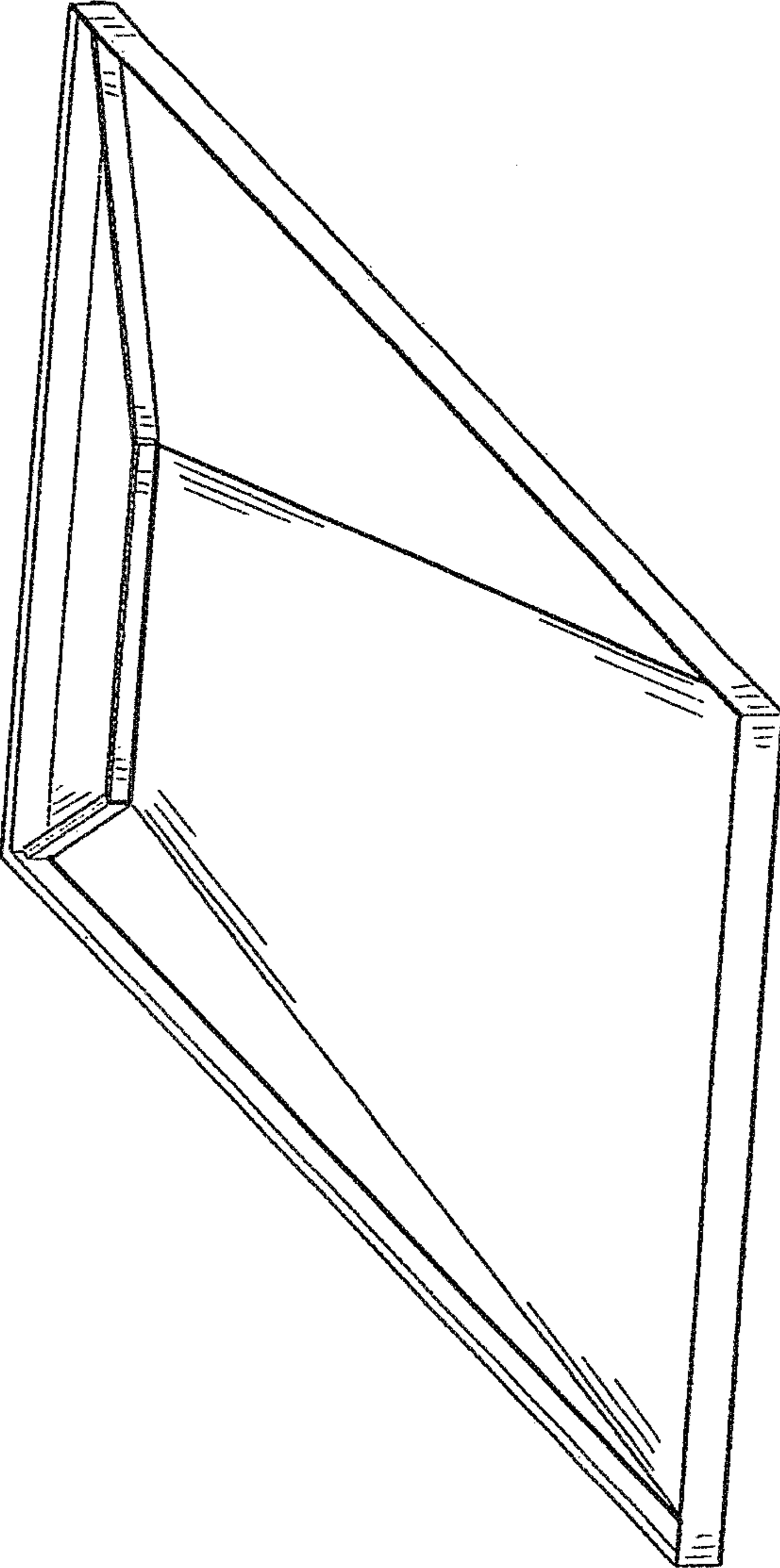


FIG. 2

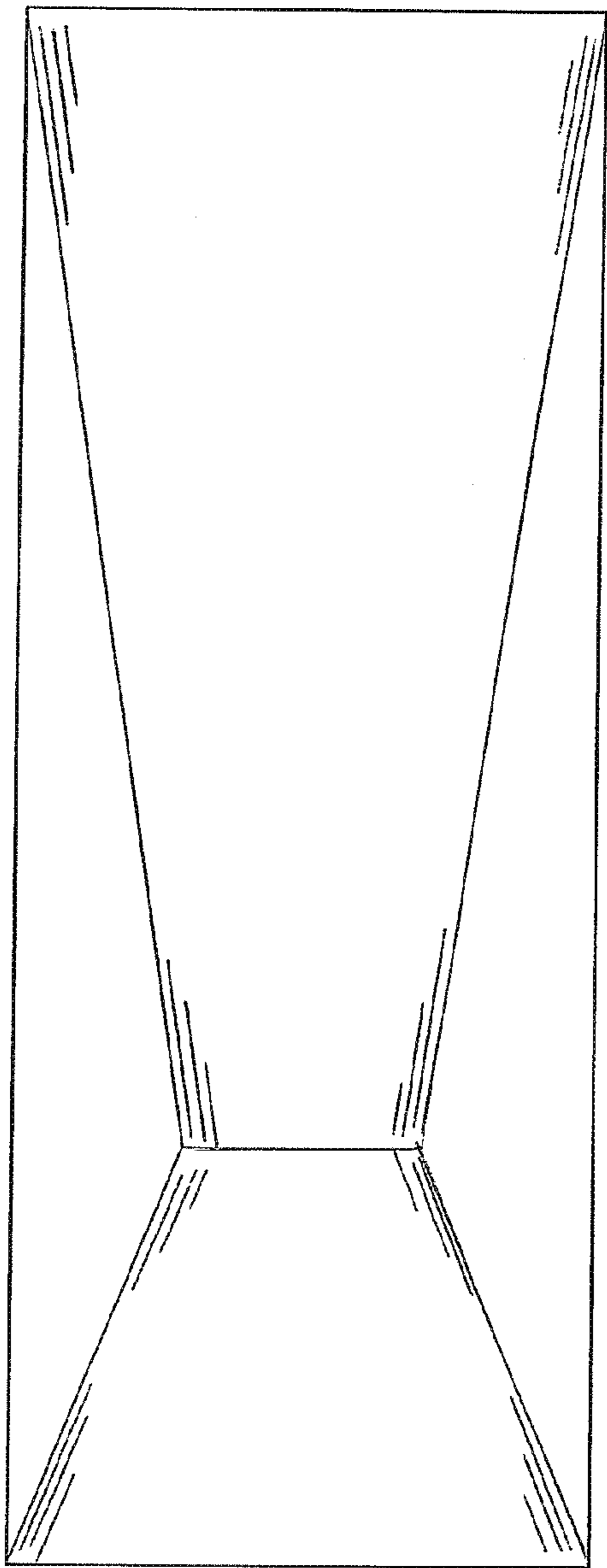


FIG. 3

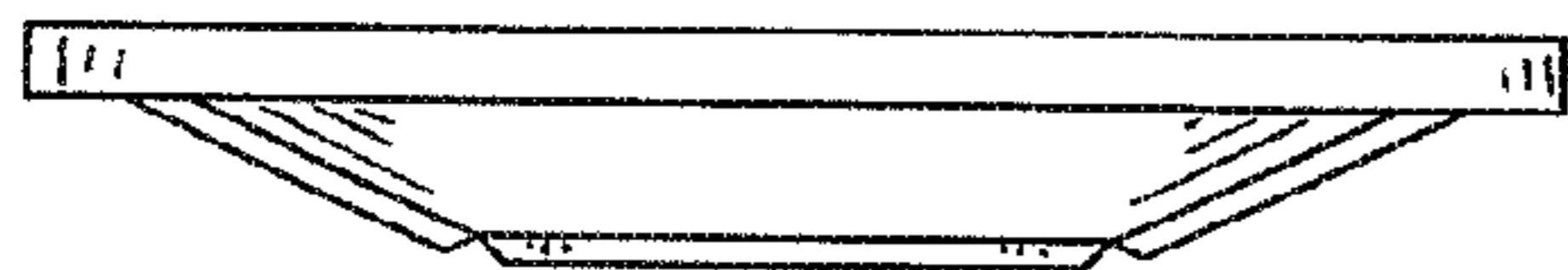


FIG. 5



FIG. 4

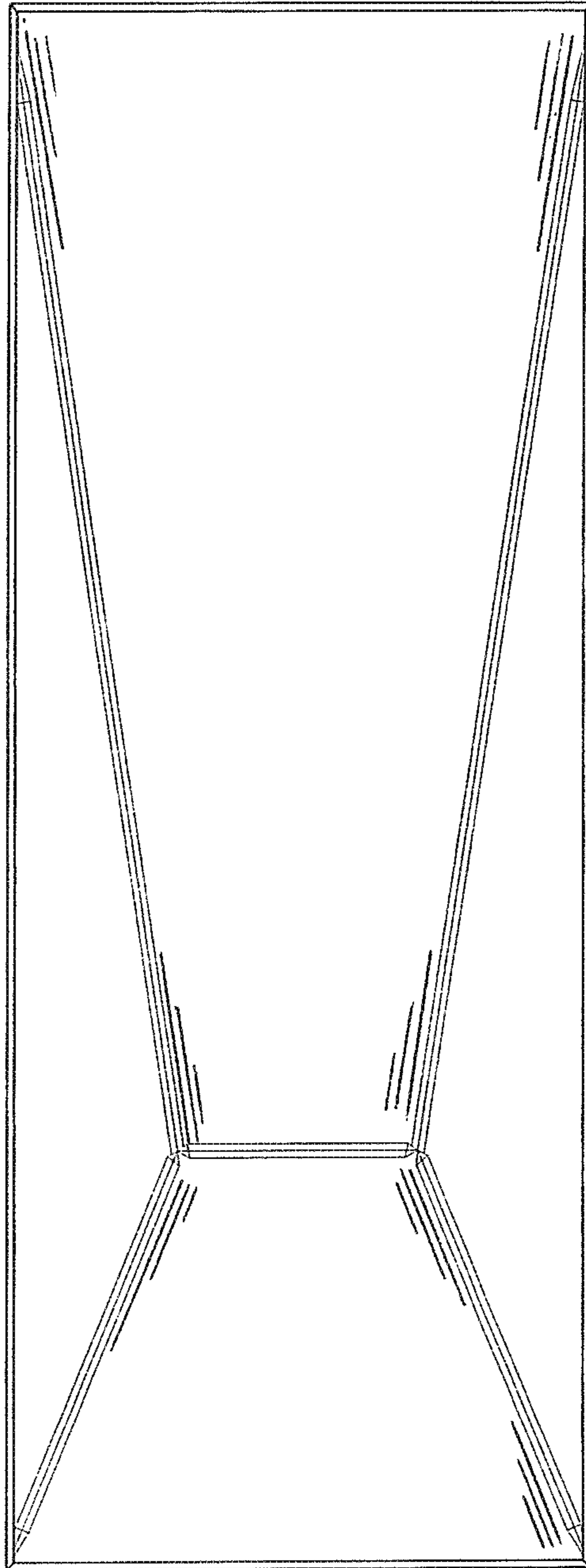


FIG. 6