

US00D760917S

(12) **United States Design Patent**
Ellis

(10) **Patent No.:** **US D760,917 S**
(45) **Date of Patent:** **** Jul. 5, 2016**

- (54) **LADDER SAFETY RAIL SET**
- (71) Applicant: **J. Nigel Ellis**, Wilmington, DE (US)
- (72) Inventor: **J. Nigel Ellis**, Wilmington, DE (US)
- (**) Term: **14 Years**
- (21) Appl. No.: **29/515,533**
- (22) Filed: **Jan. 23, 2015**
- (51) **LOC (10) Cl.** **25-04**
- (52) **U.S. Cl.**
USPC **D25/68**
- (58) **Field of Classification Search**
USPC D25/68
CPC E06C 7/10; E06C 7/182; E06C 7/181;
E06C 7/48
See application file for complete search history.

8,439,163 B2 5/2013 Inman
 2008/0190692 A1* 8/2008 Feik 182/107
 2008/0202850 A1* 8/2008 Anderson et al. 182/106

* cited by examiner

Primary Examiner — Doris Clark
(74) *Attorney, Agent, or Firm* — Paul & Paul

(57) **CLAIM**

The ornamental design for a ladder safety rail set, as shown and described.

DESCRIPTION

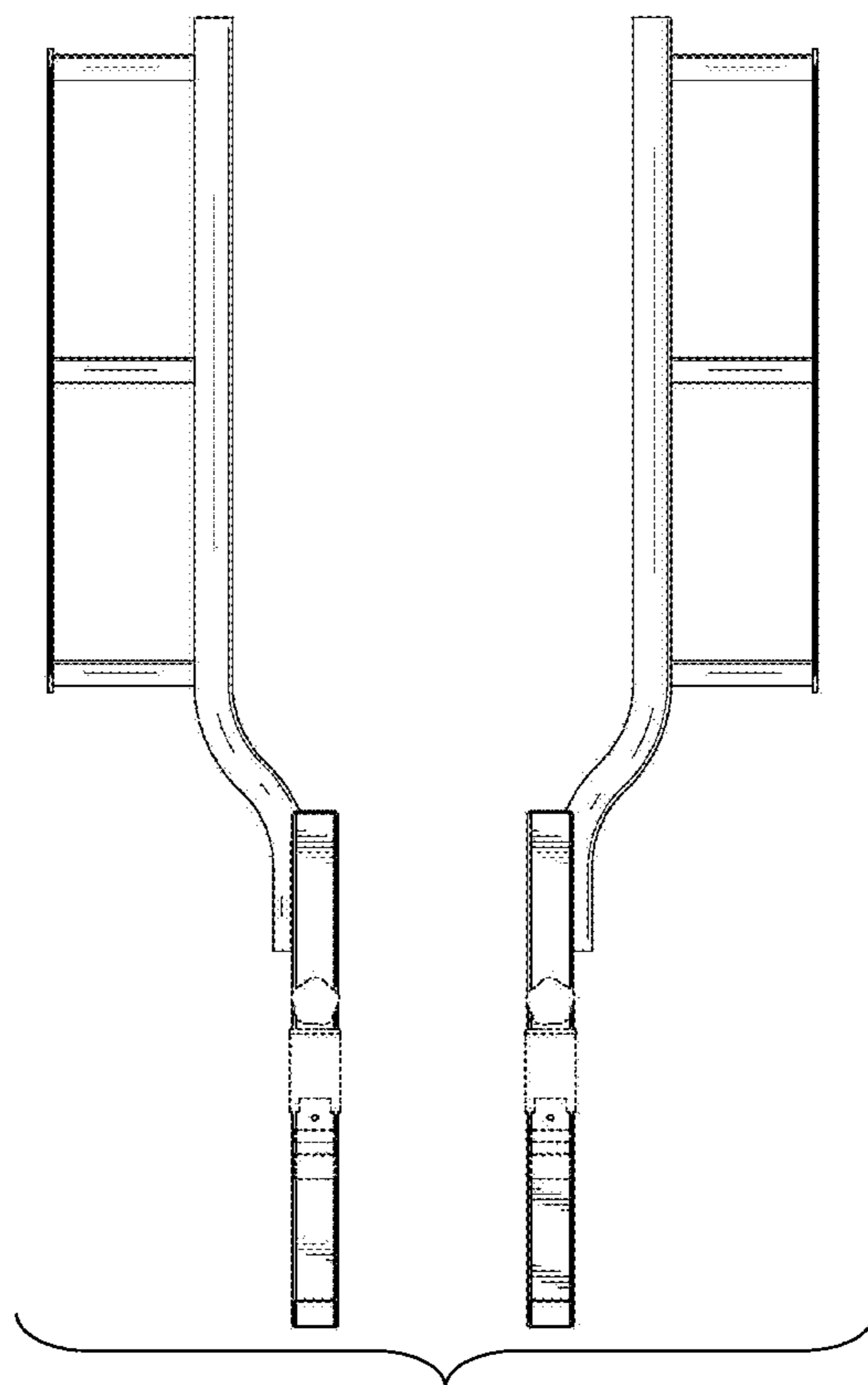
FIG. 1 is a perspective view of the ladder safety rail set showing the left and right members thereof;
 FIG. 2 is a front elevation view thereof;
 FIG. 3 is a rear elevation view thereof;
 FIG. 4 is an inside face view of the right hand member of the ladder safety rail set;
 FIG. 5 is an outside face view of the right hand member of the ladder safety rail set;
 FIG. 6 is an inside face view of the left hand member of the ladder safety rail set; and,
 FIG. 7 is an outside face view of the left hand member of the ladder safety rail set.
 The broken lines are for illustrative purposes only and form no part of the claimed design.

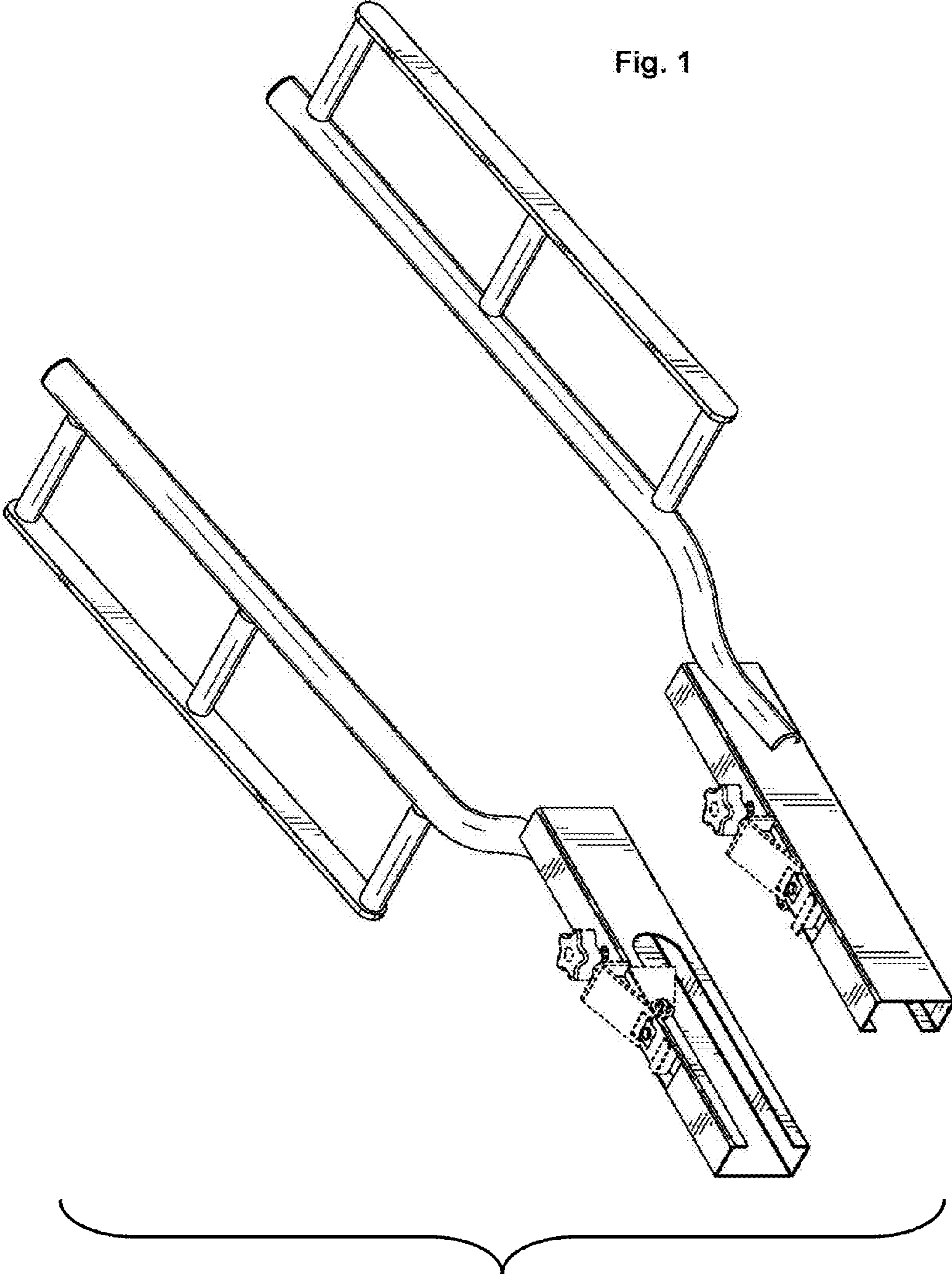
1 Claim, 5 Drawing Sheets

(56) **References Cited**

U.S. PATENT DOCUMENTS

- D402,046 S * 12/1998 Lal D25/68
- 5,941,343 A * 8/1999 Kelsey 182/107
- 6,095,283 A 8/2000 Ellis
- 6,347,685 B1 2/2002 Ellis
- 6,394,229 B1 5/2002 Hastreiter
- D537,958 S * 3/2007 Clark et al. D25/68
- 8,136,632 B2 3/2012 Gabriel





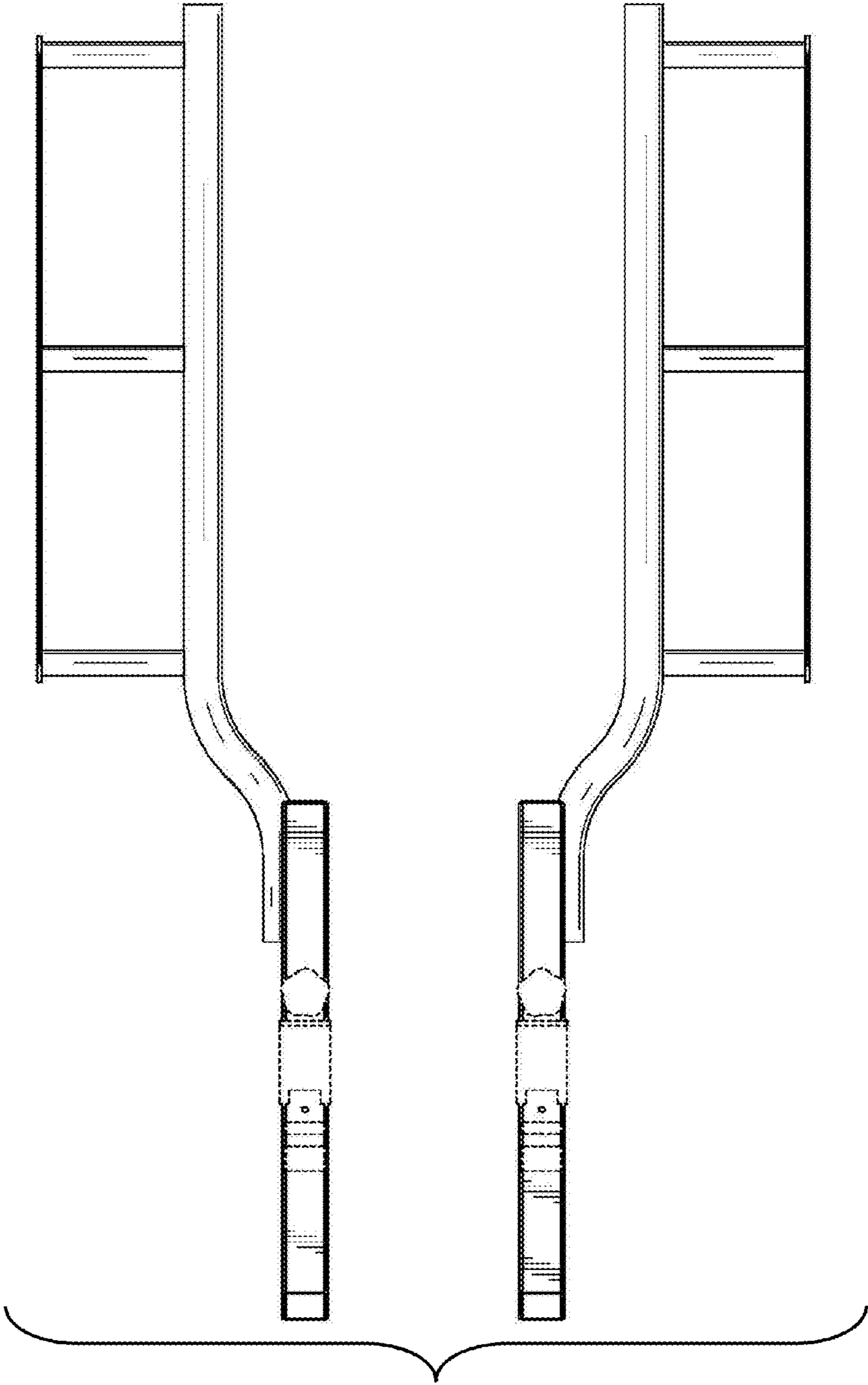


Fig. 2

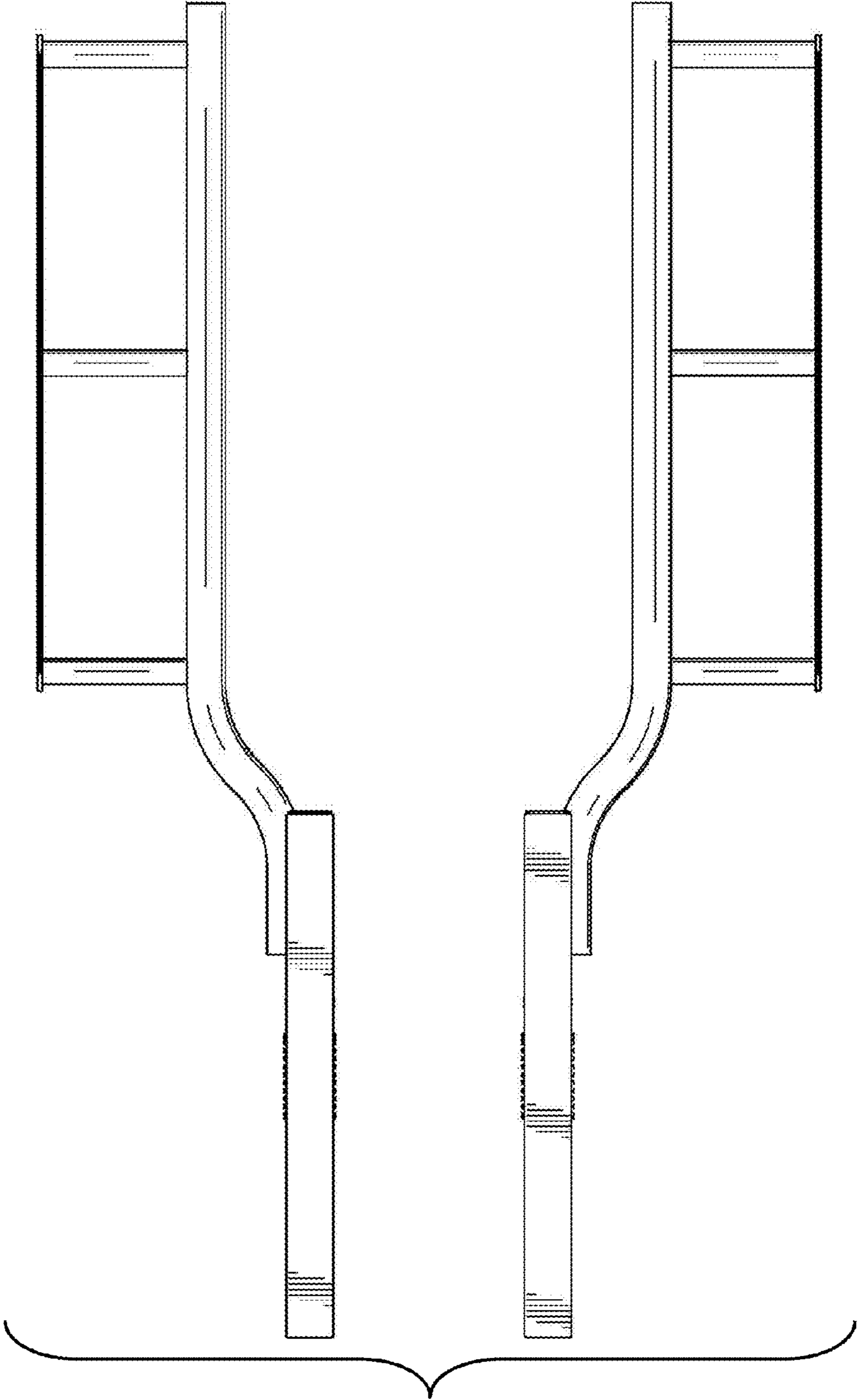


Fig. 3

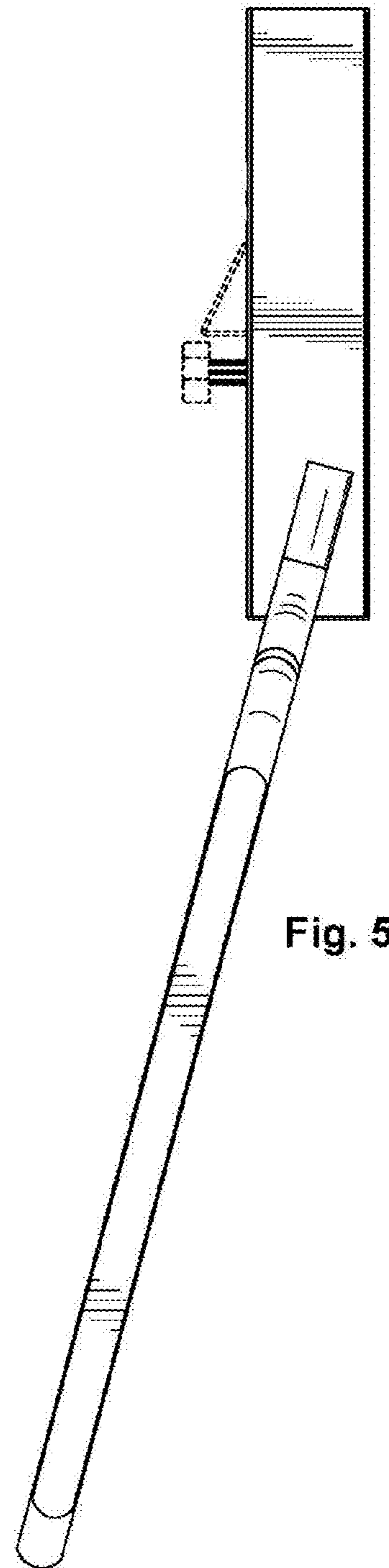
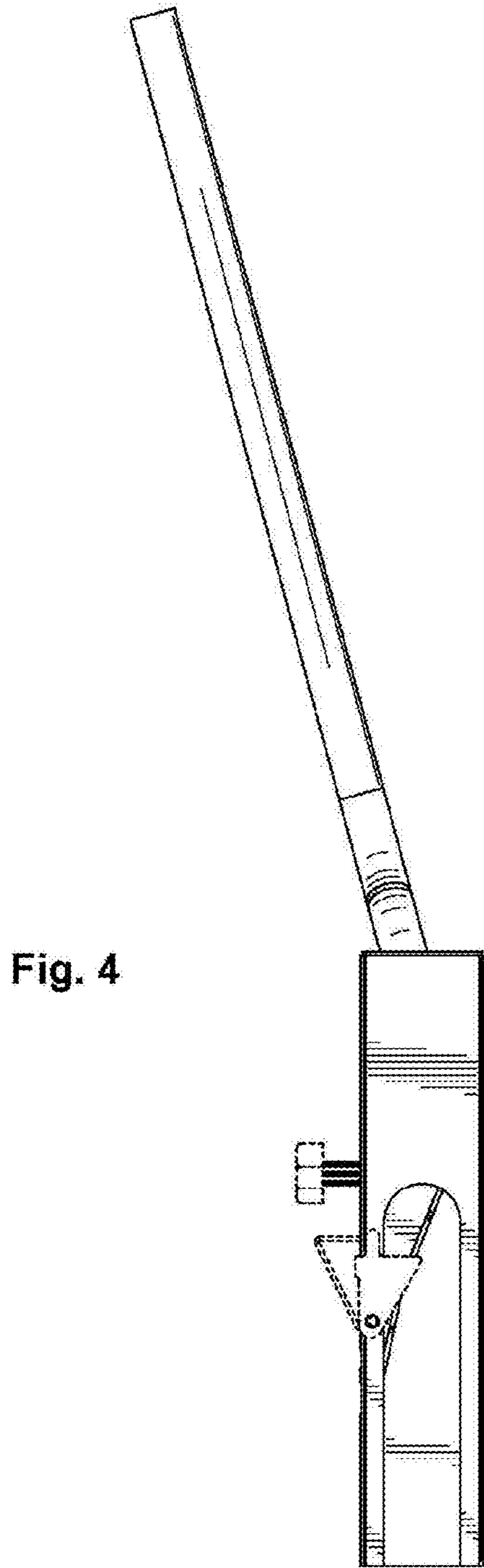


Fig. 6

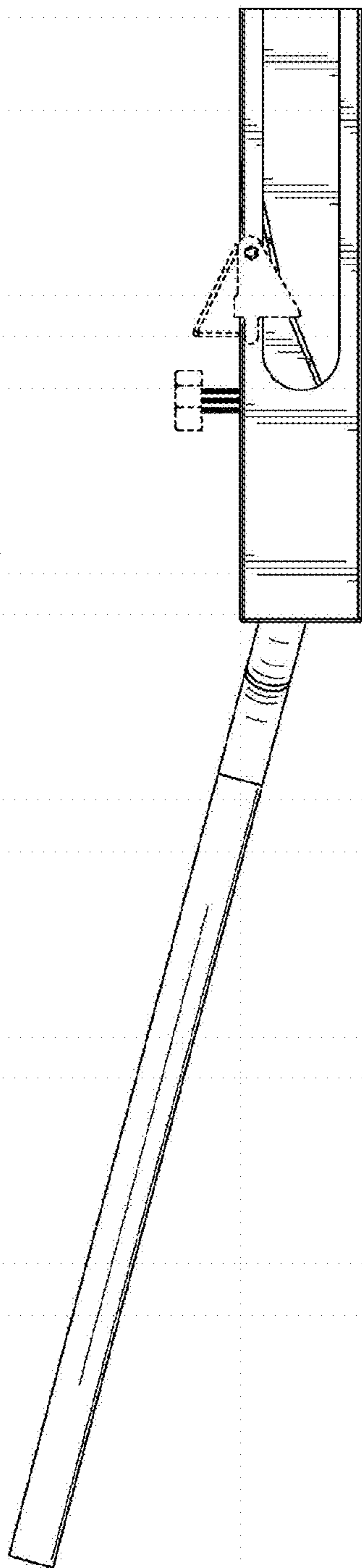


Fig. 7

