



US00D760915S

(12) **United States Design Patent**  
**Kagawa**

(10) **Patent No.:** **US D760,915 S**  
(45) **Date of Patent:** **\*\* Jul. 5, 2016**

(54) **AUTOCLAVE**  
(71) Applicant: **Takeshi Kagawa**, Kanuma (JP)  
(72) Inventor: **Takeshi Kagawa**, Kanuma (JP)  
(73) Assignee: **Nakanishi Inc.**, Kanuma-shi (JP)  
(\*\*) Term: **14 Years**  
(21) Appl. No.: **29/519,205**  
(22) Filed: **Mar. 3, 2015**  
(51) **LOC (10) Cl.** ..... **24-01**  
(52) **U.S. Cl.**  
USPC ..... **D24/217**  
(58) **Field of Classification Search**  
USPC ..... D24/216, 217, 218, 227-232; D32/1,  
D32/25  
CPC ..... A61L 2/26; A61L 2/24; A61L 2/17;  
A61L 2/18; A61L 2/025; A61L 2202/122;  
A61L 2202/10; A61L 2202/11; A61L  
2202/14; A61L 2202/23; A61L 2202/24;  
A61L 2202/182  
See application file for complete search history.

5,535,141 A \* 7/1996 Lussi ..... A61L 2/24  
422/119  
D433,147 S \* 10/2000 Florkey ..... D24/217  
D546,473 S \* 7/2007 Xu ..... D24/217  
D560,814 S \* 1/2008 Briessel ..... D24/217  
D719,672 S \* 12/2014 Dickinson ..... D24/217

\* cited by examiner

*Primary Examiner* — Anhdao Doan  
(74) *Attorney, Agent, or Firm* — Jason D. Voight

(57) **CLAIM**  
The ornamental design for an autoclave, as shown and described.

**DESCRIPTION**

FIG. 1 is a plan view of an autoclave;  
FIG. 2 is a front view thereof;  
FIG. 3 is a bottom view thereof;  
FIG. 4 is a left side view thereof;  
FIG. 5 is a right side view thereof;  
FIG. 6 is a rear view thereof; and,  
FIG. 7 is a perspective view from upper right side thereof;  
and,  
FIG. 8 is an enlarged view of the control panel thereof.  
The broken lines are included for the purpose of illustrating portions of the autoclave that form no part of the claimed design.

(56) **References Cited**

**U.S. PATENT DOCUMENTS**

D330,771 S \* 11/1992 Chaney ..... D24/217  
D347,696 S \* 6/1994 Tominaga ..... D24/217

**1 Claim, 5 Drawing Sheets**

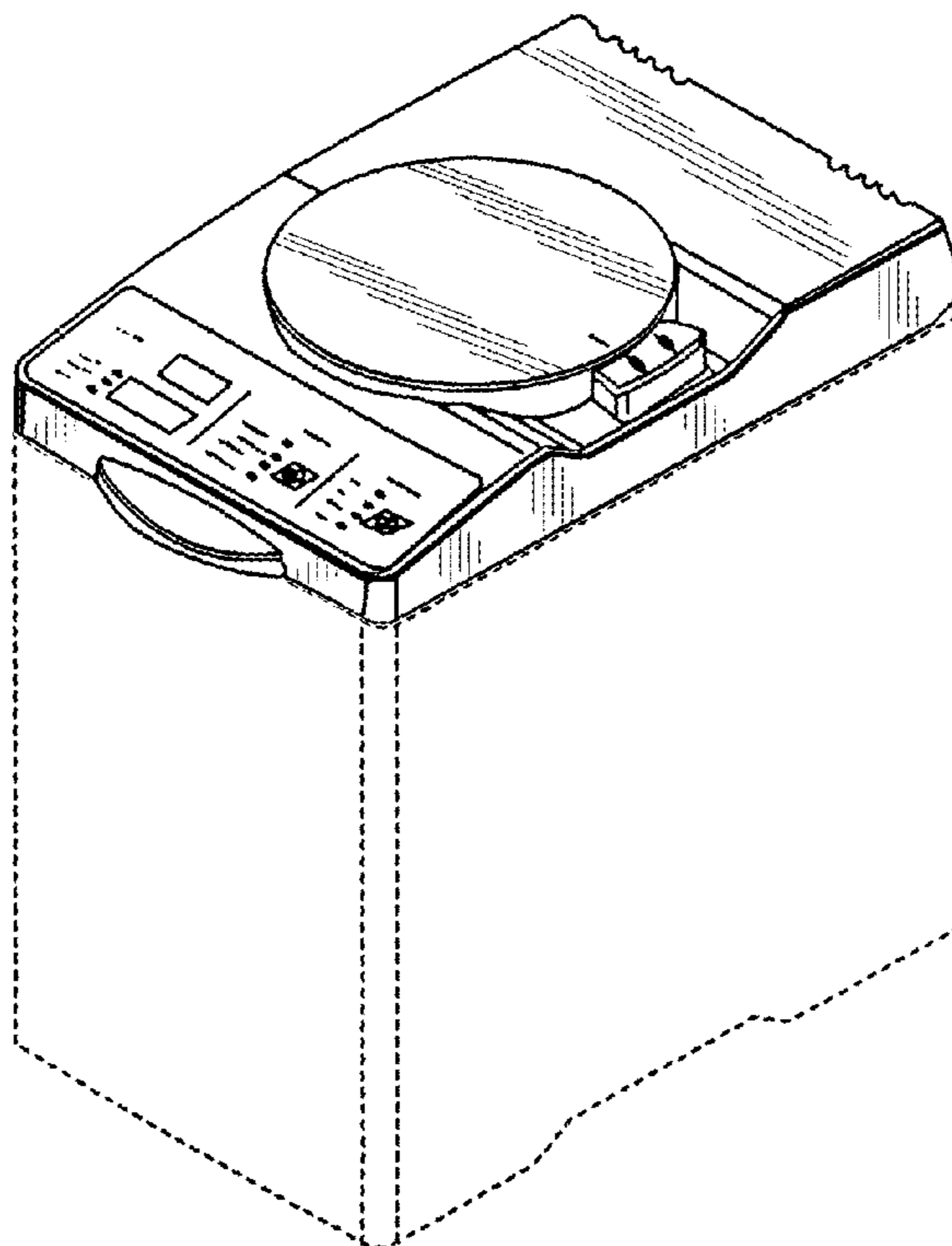


FIG. 1

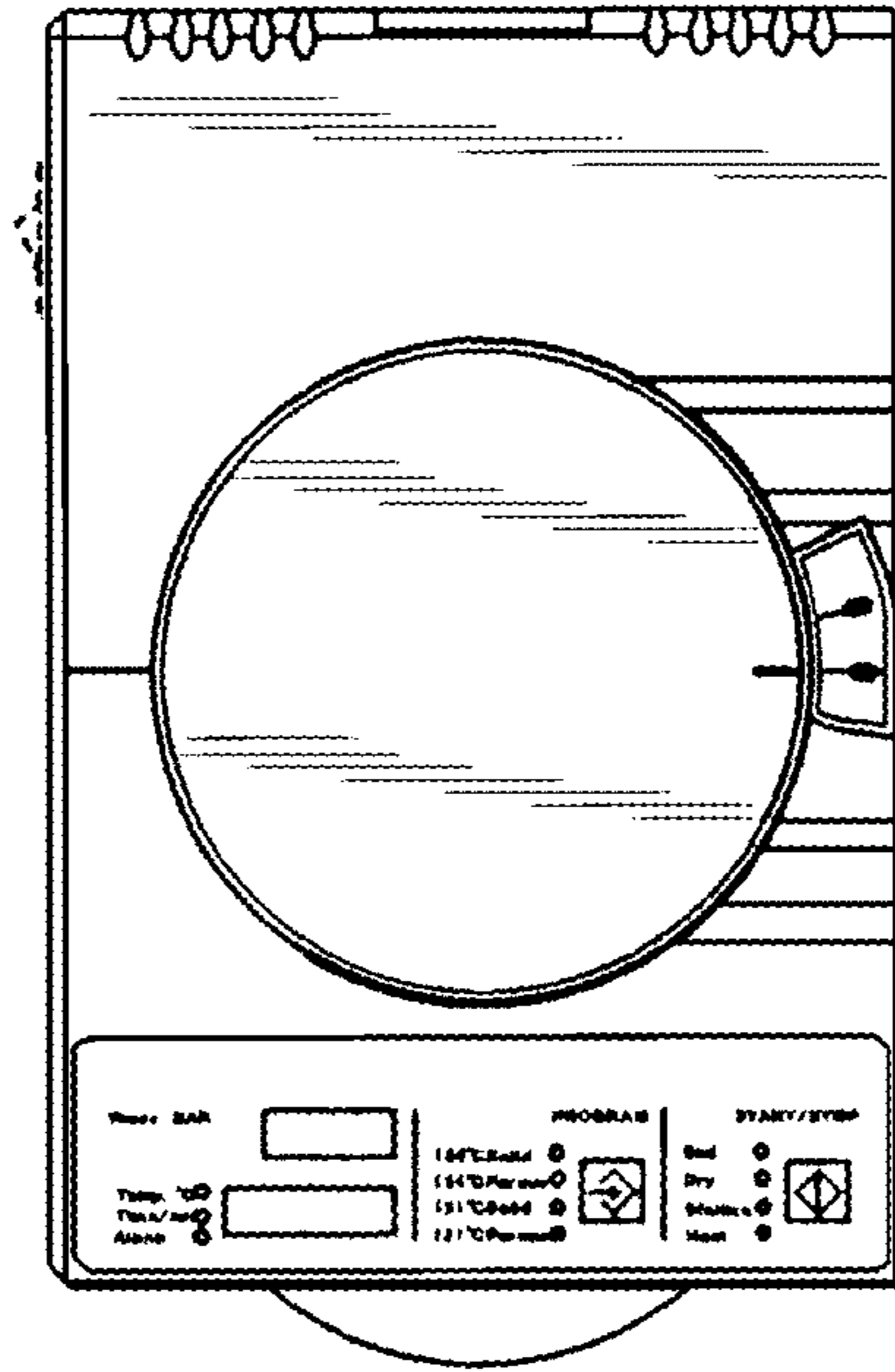


FIG. 2

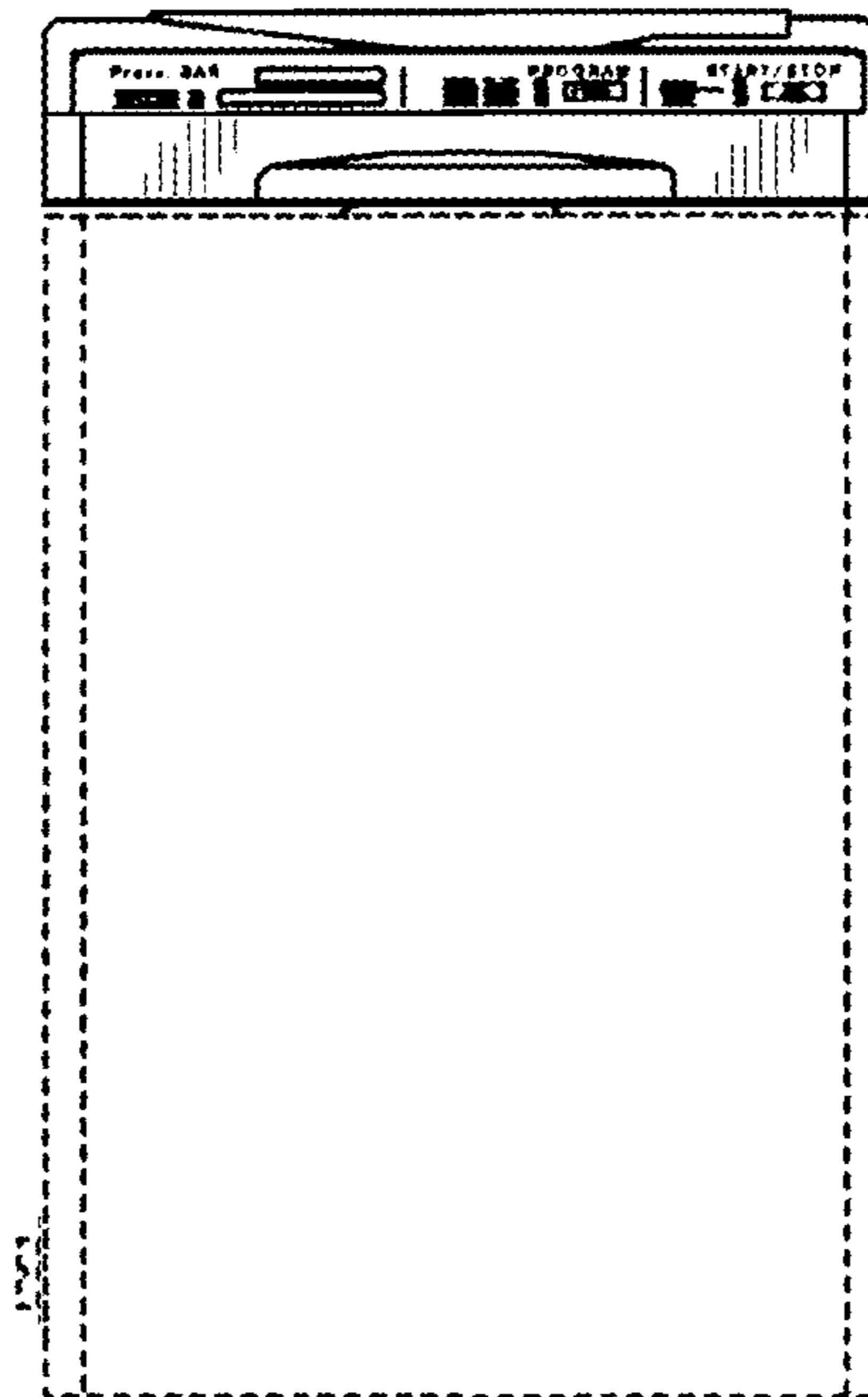


FIG. 3

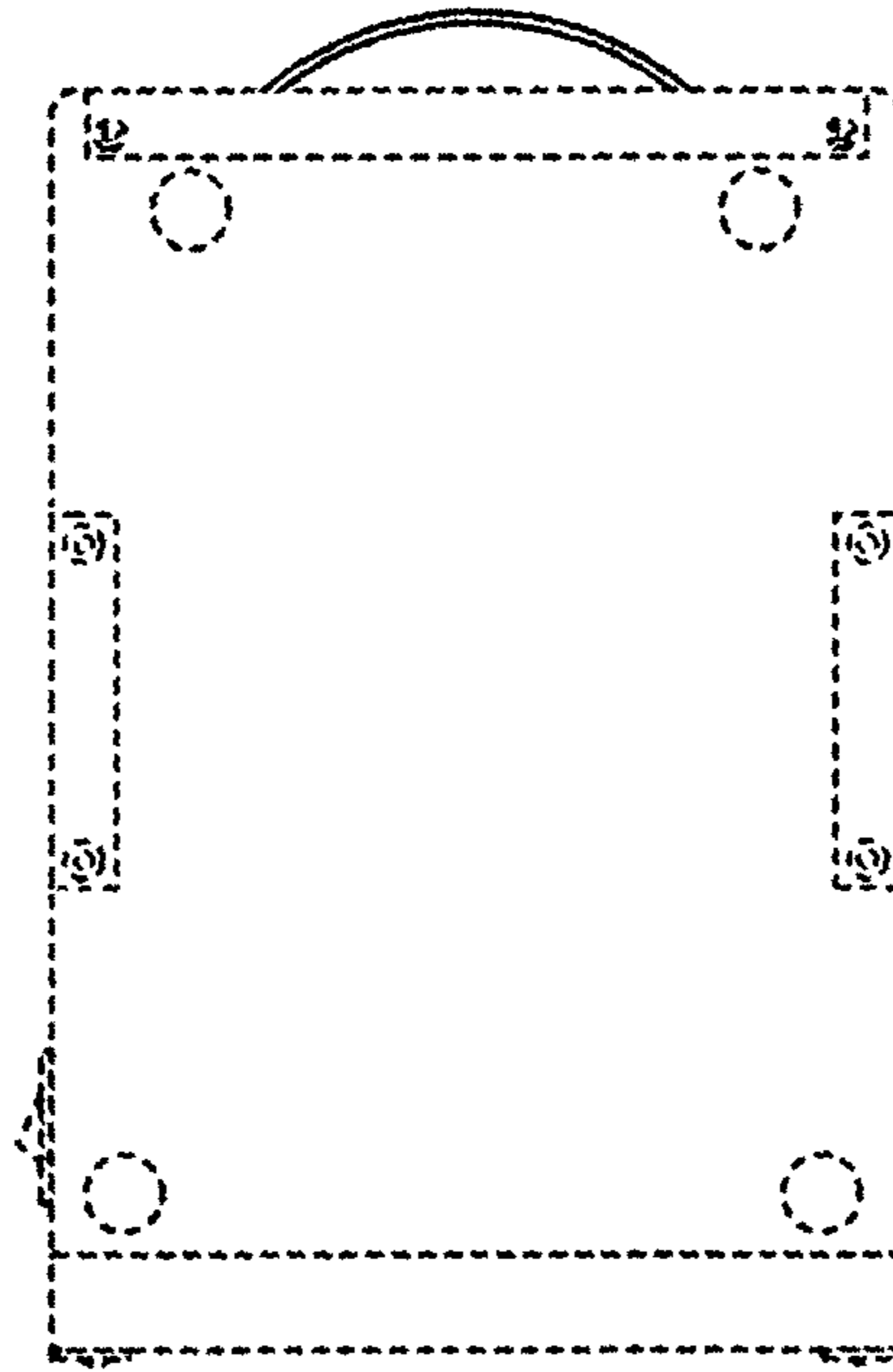


FIG. 4

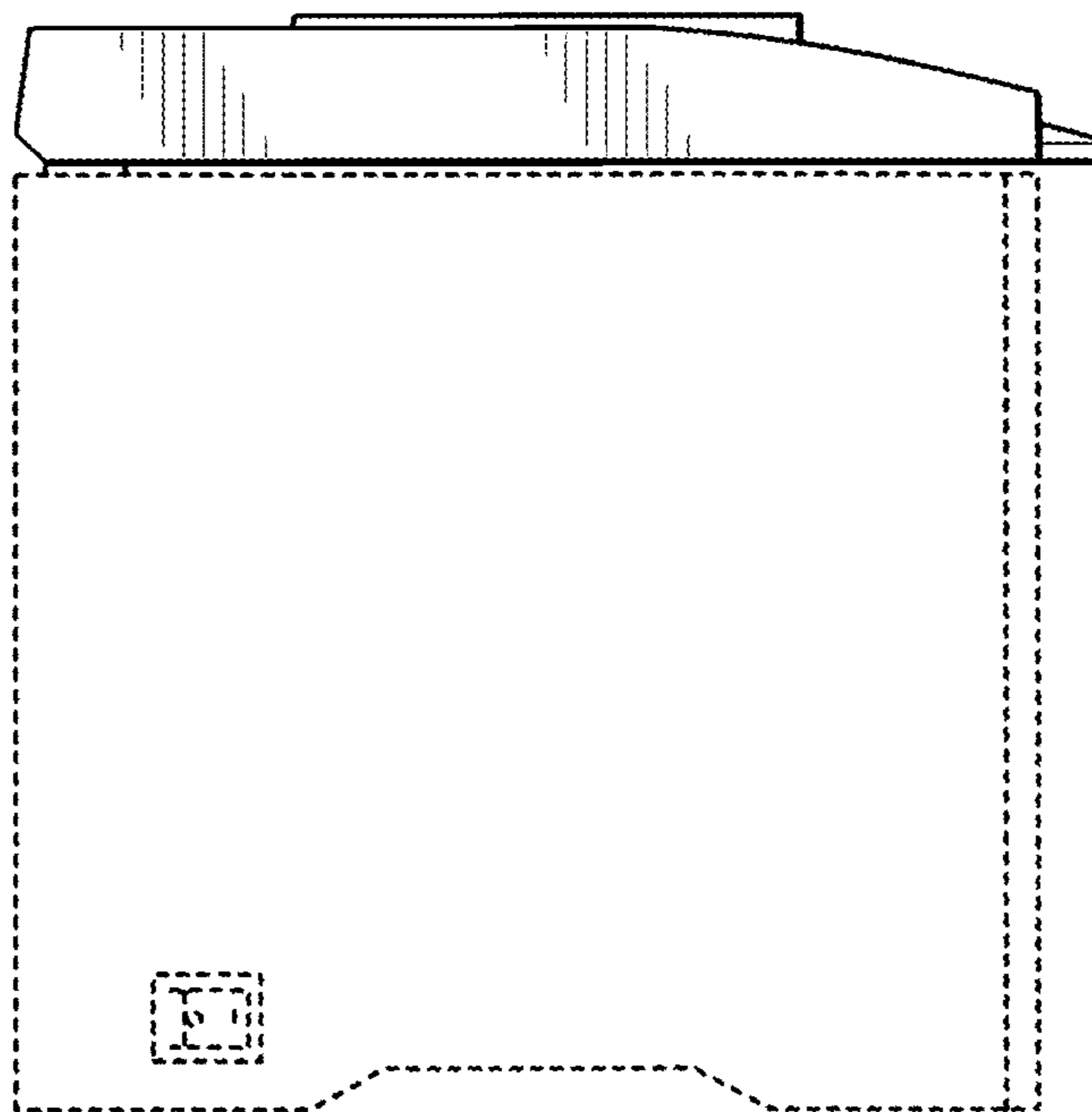


FIG. 5

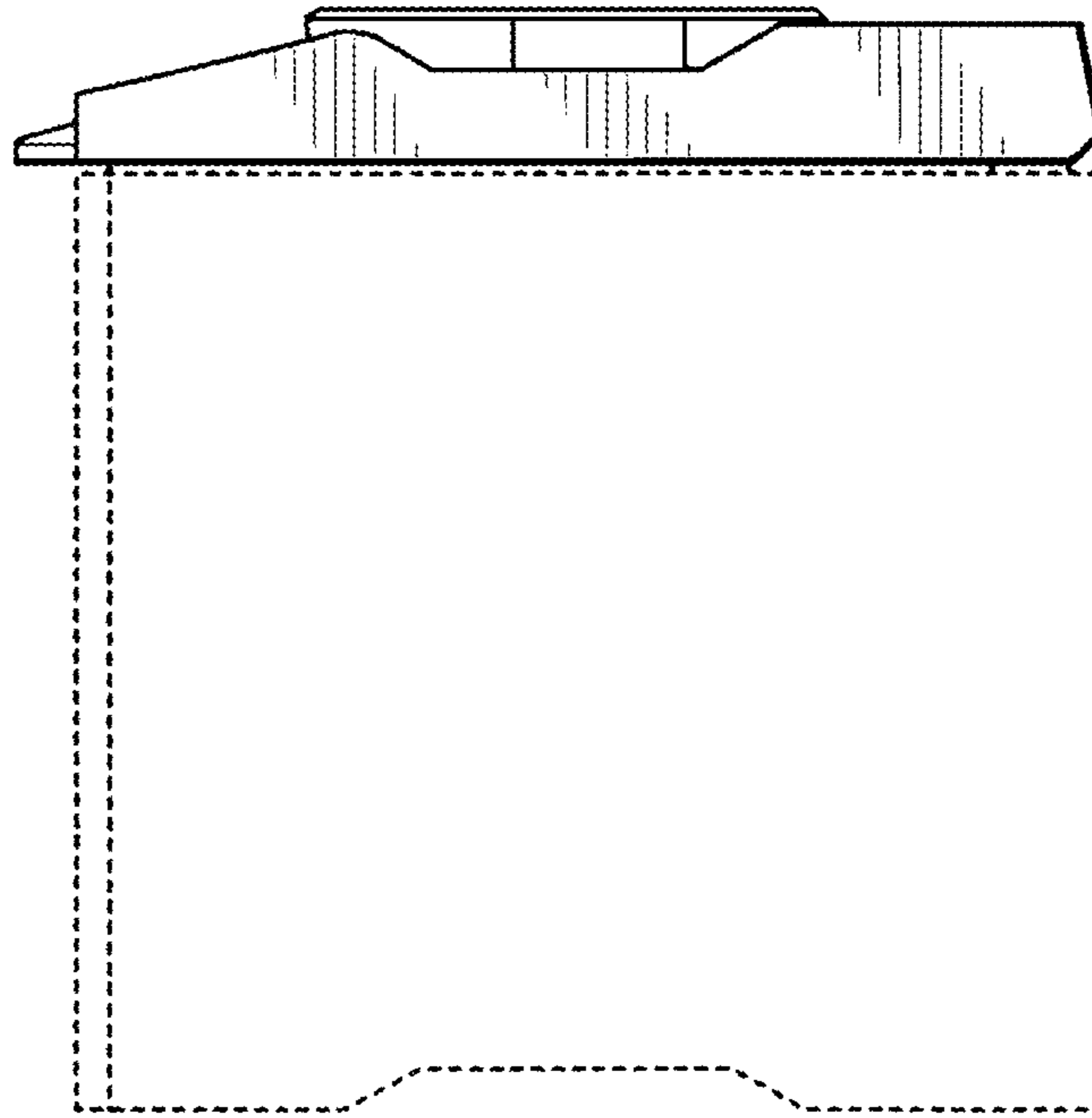


FIG. 6

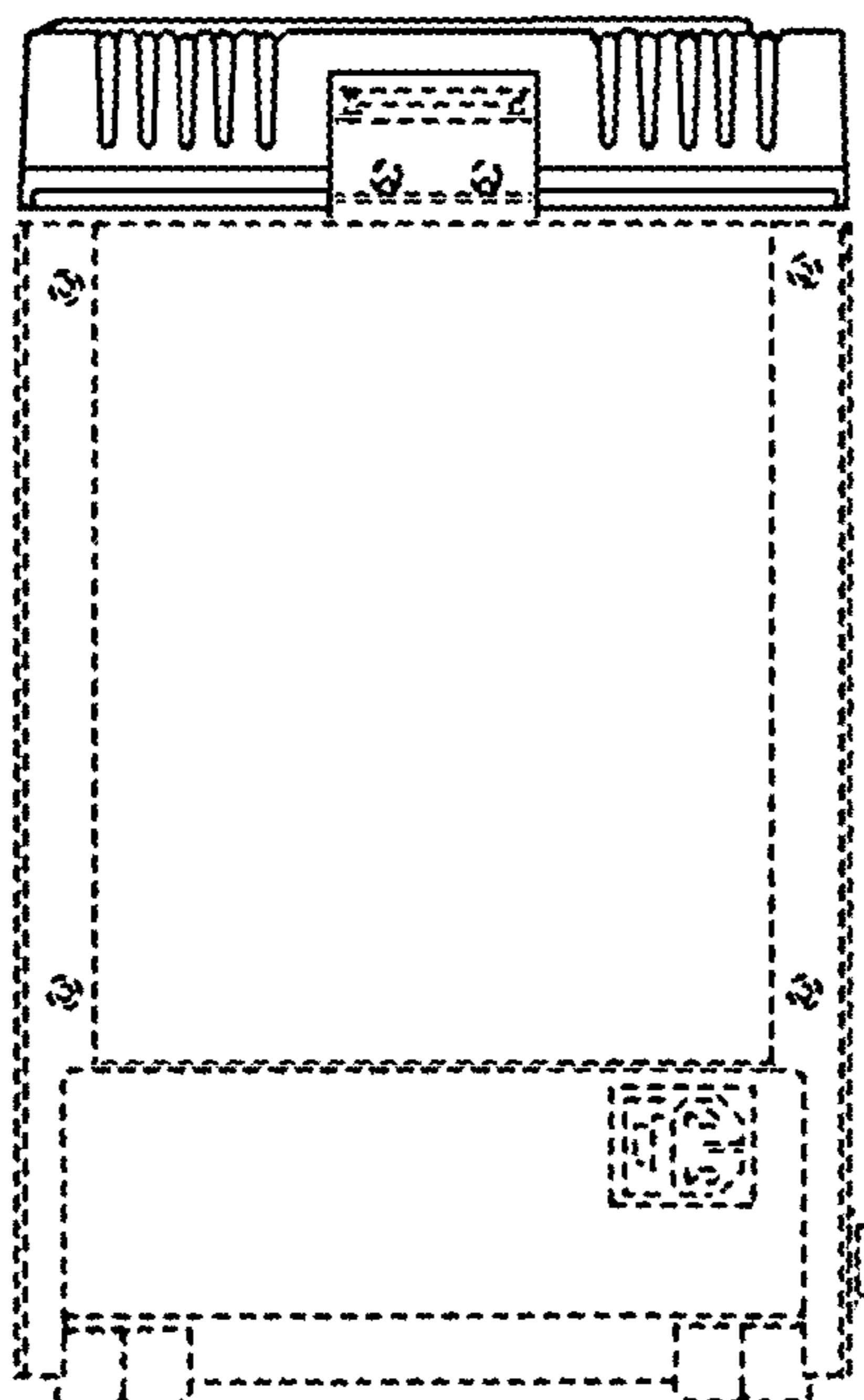


FIG. 7

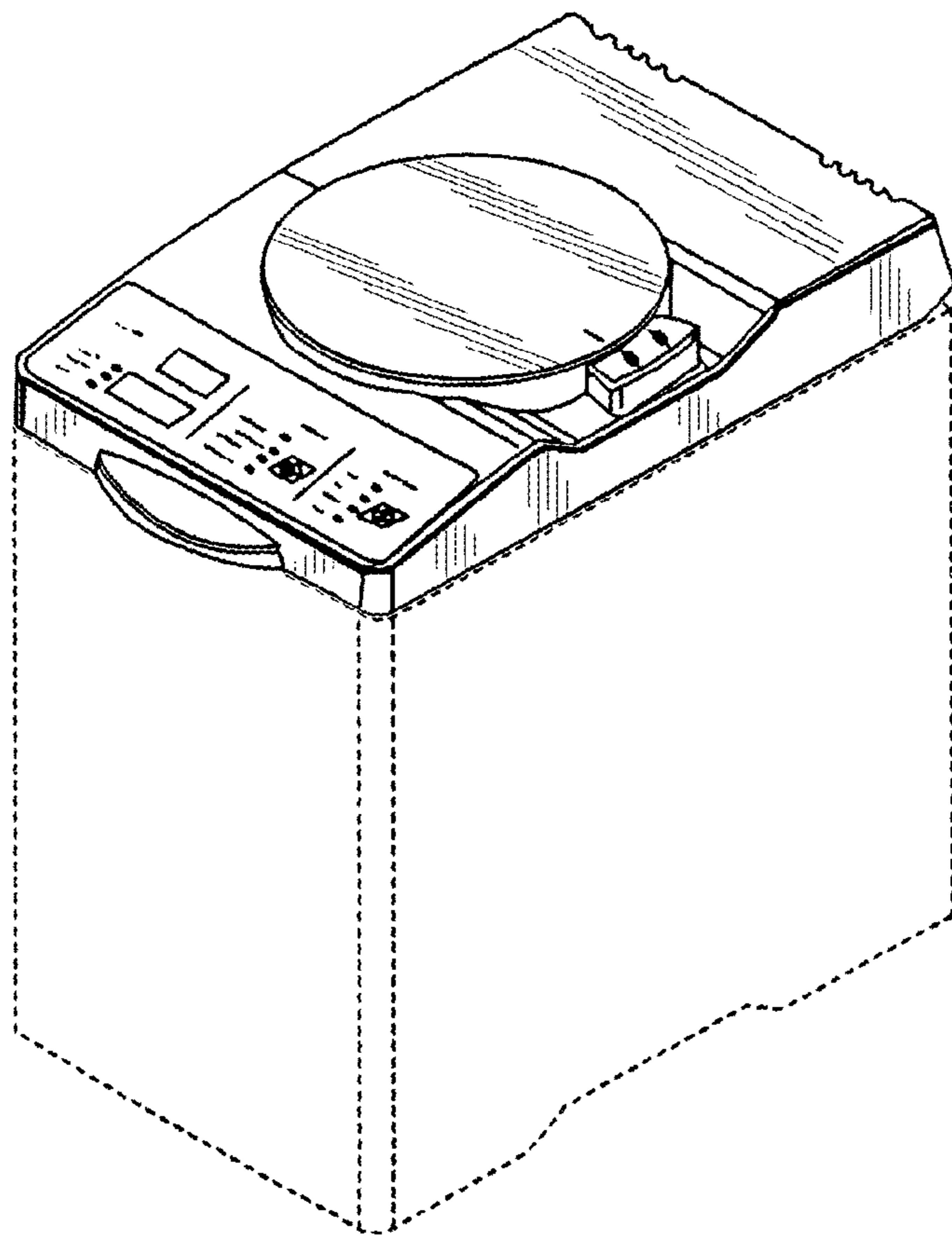


FIG. 8

