



US00D760910S

(12) **United States Design Patent**
Jan

(10) **Patent No.:** **US D760,910 S**
(45) **Date of Patent:** **** Jul. 5, 2016**

- (54) **PEDICURE SPA BASE**
- (71) Applicant: **FORESEE SCIENTECH LTD.,**
Changhua (TW)
- (72) Inventor: **Danny Jan, Changhua (TW)**
- (73) Assignee: **Foresee Scientech Ltd., Changhua (TW)**
- (**) Term: **14 Years**
- (21) Appl. No.: **29/515,230**
- (22) Filed: **Jan. 21, 2015**
- (51) **LOC (10) Cl.** **28-03**
- (52) **U.S. Cl.**
USPC **D24/204**
- (58) **Field of Classification Search**
USPC D24/200–205, 212–213; D28/56, 61;
D6/336; D21/473–474, 483, 519, 523;
D23/204; 4/538, 541.1, 541.6, 574.1,
4/579, 619, 621, 622, 627; 601/30–32,
601/64, 157–158; 607/44
CPC A47K 3/02; A47K 3/06; A47K 3/022;
A61H 33/6063; A61H 33/0087; A61H 33/02;
A61H 33/60; A61H 33/6005; A61H 33/601;
A61H 35/00; A61H 35/006
See application file for complete search history.

(56) **References Cited**
U.S. PATENT DOCUMENTS

D622,858 S *	8/2010	Jan	D24/204
D640,387 S *	6/2011	Tran	D24/204
D701,968 S *	4/2014	Le	D24/204
D701,969 S *	4/2014	Le	D24/204

D701,970 S *	4/2014	Le	D24/204
D707,836 S *	6/2014	Long	D24/204
D709,208 S *	7/2014	Ton	D24/204
D724,855 S *	3/2015	Kim	D6/336
D727,516 S *	4/2015	Le	D24/204
D733,309 S *	6/2015	Ton	D24/203
D742,022 S *	10/2015	Le	D24/204
D742,023 S *	10/2015	Le	D24/204
D742,024 S *	10/2015	Le	D24/204
2004/0060108 A1 *	4/2004	Hoon Park	A61H 35/006 4/622

* cited by examiner

Primary Examiner — Catheri Oliver-Garcia

Assistant Examiner — Rebekah Caruso

(74) *Attorney, Agent, or Firm* — Alan D. Kamrath; Kamrath IP Lawfirm, P.A.

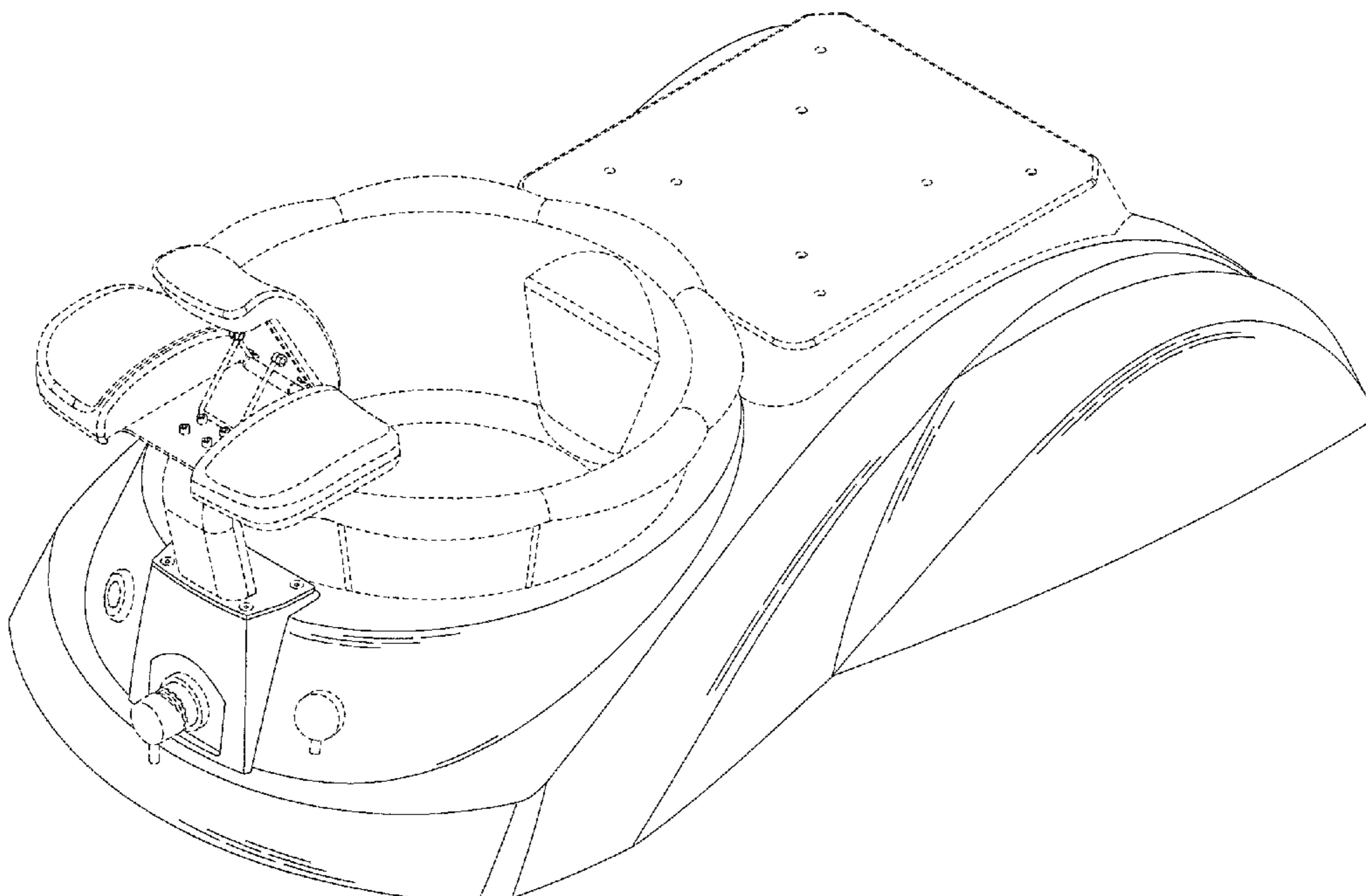
(57) **CLAIM**

The ornamental design for a pedicure spa base, as shown and described.

DESCRIPTION

FIG. 1 is a perspective view of a pedicure spa base showing my design;
 FIG. 2 is a front elevational view thereof;
 FIG. 3 is a rear elevational view thereof;
 FIG. 4 is a left side elevational view thereof;
 FIG. 5 is a right side elevational view thereof;
 FIG. 6 is a top plan view thereof;
 FIG. 7 is a bottom plan view thereof; and,
 FIG. 8 is an illustration of applying the present invention.
 The broken lines shown depict environmental structure and form no part of the claimed design.

1 Claim, 8 Drawing Sheets



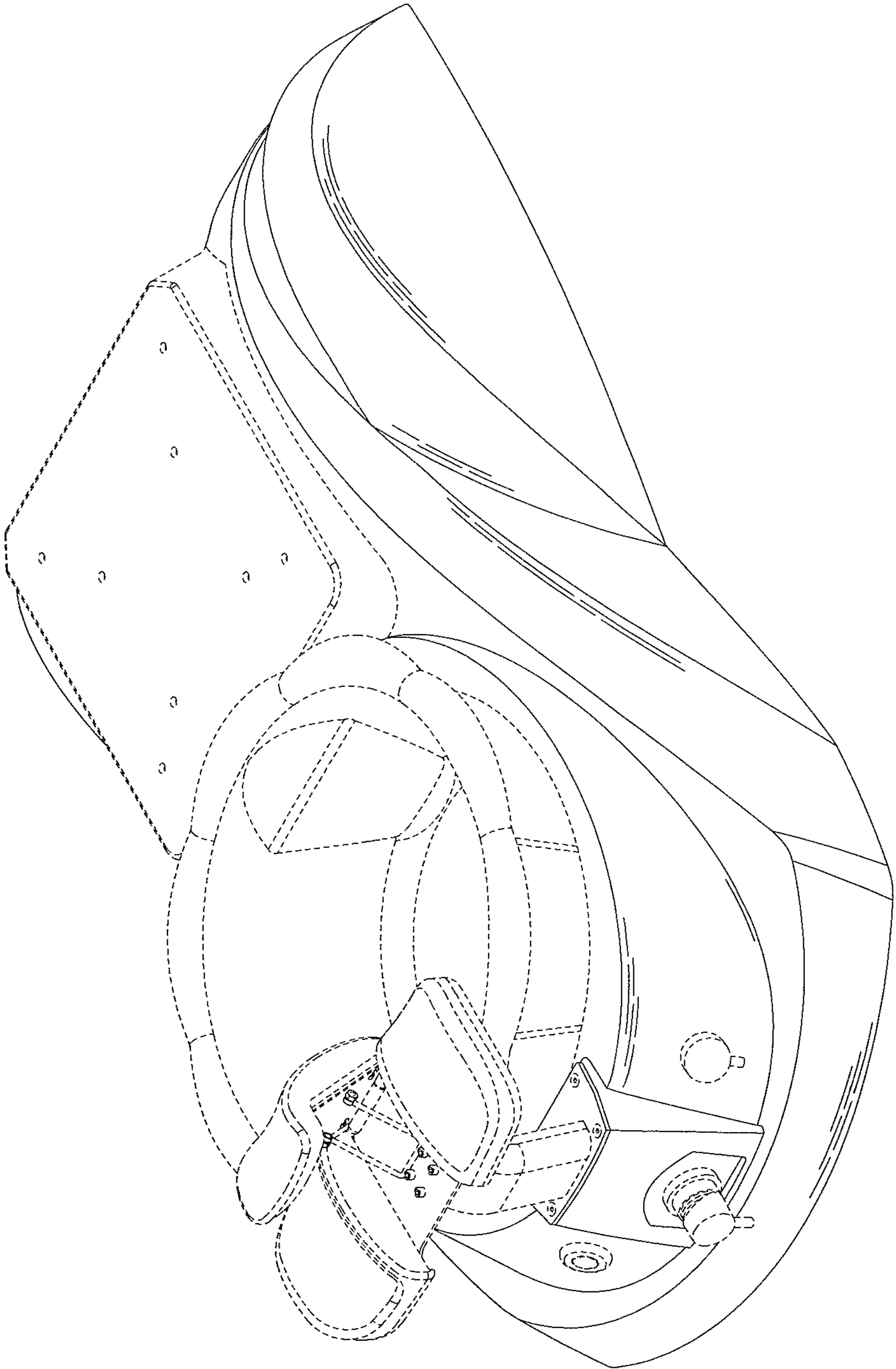


FIG. 1

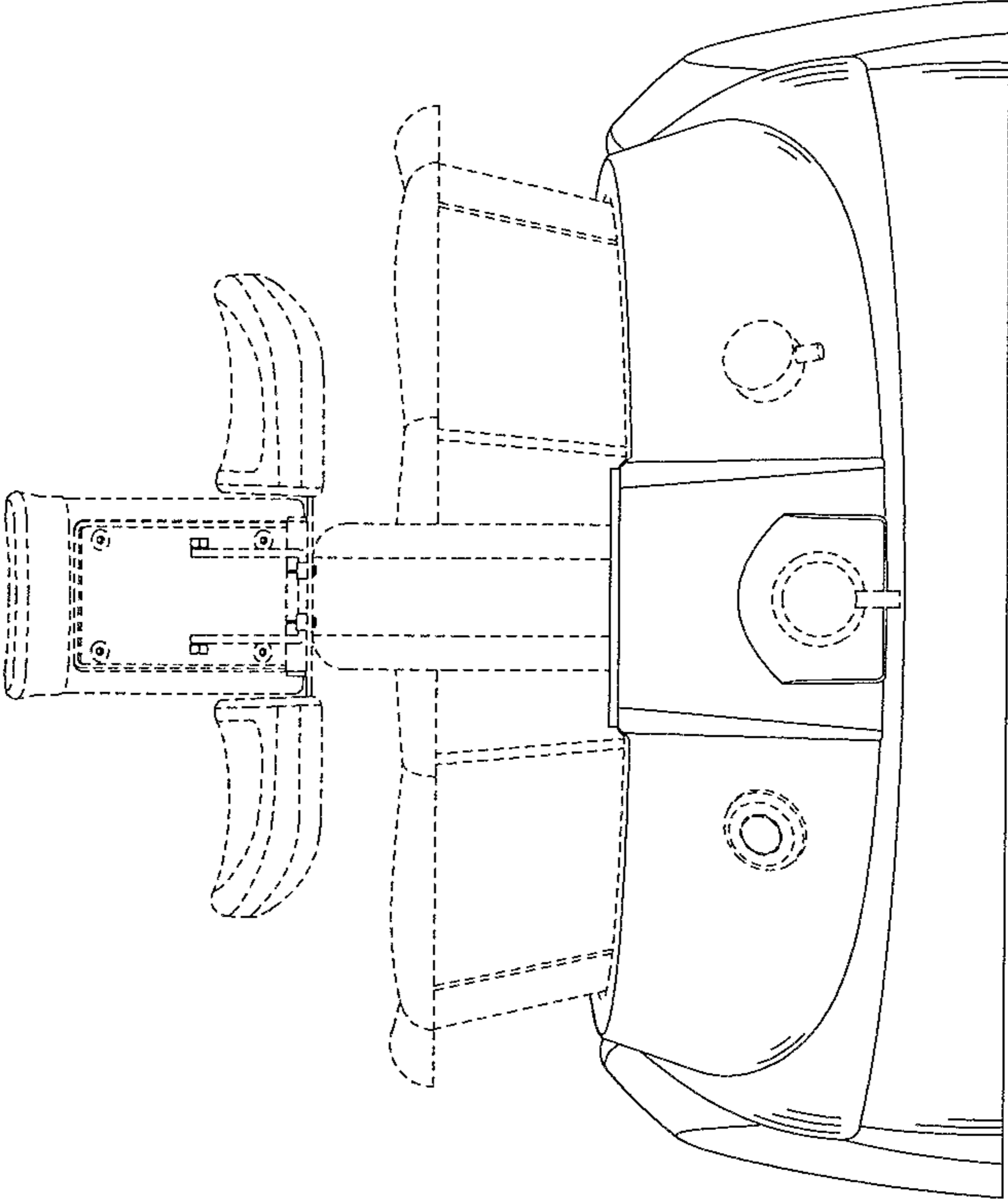


FIG. 2

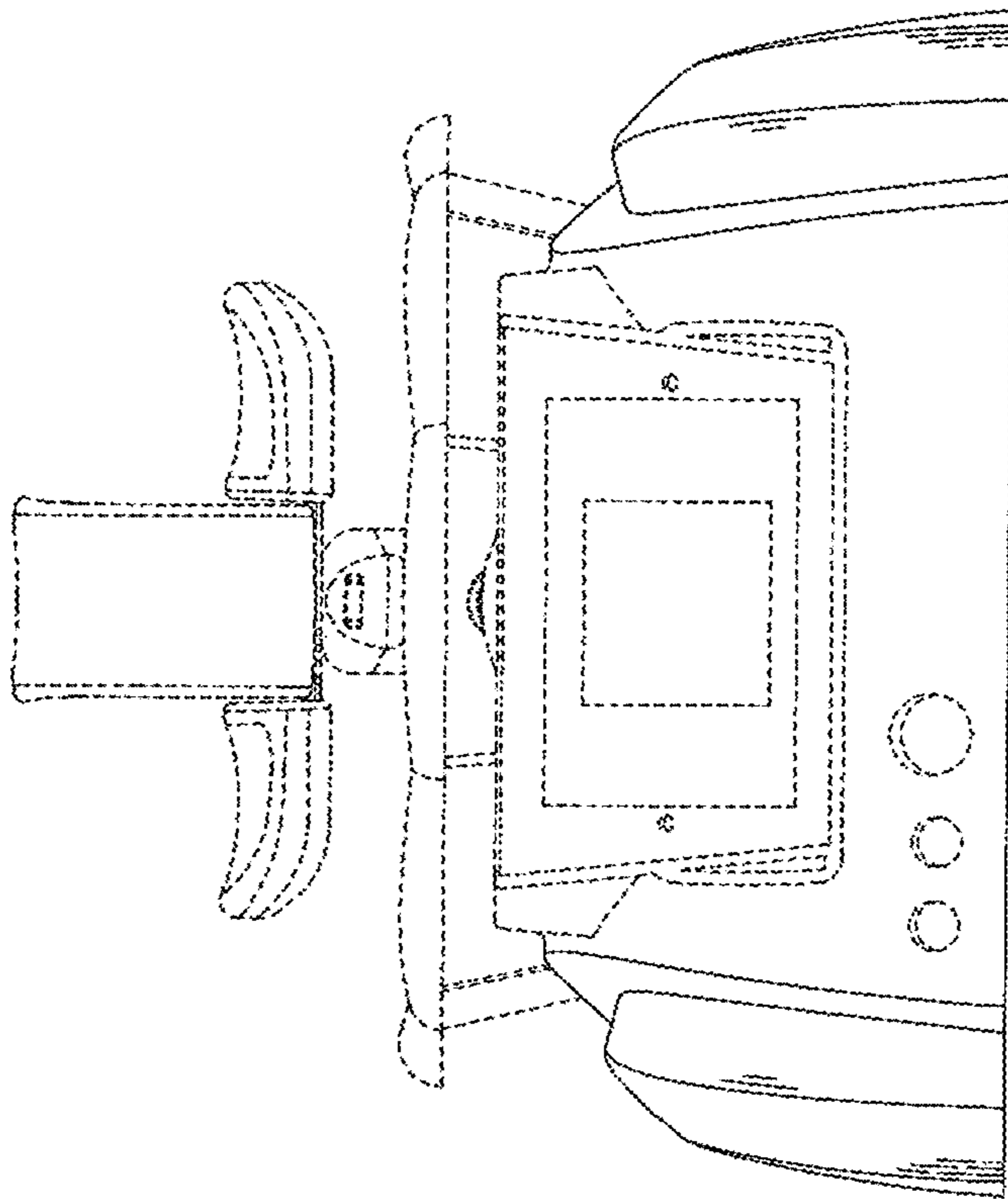


FIG. 3

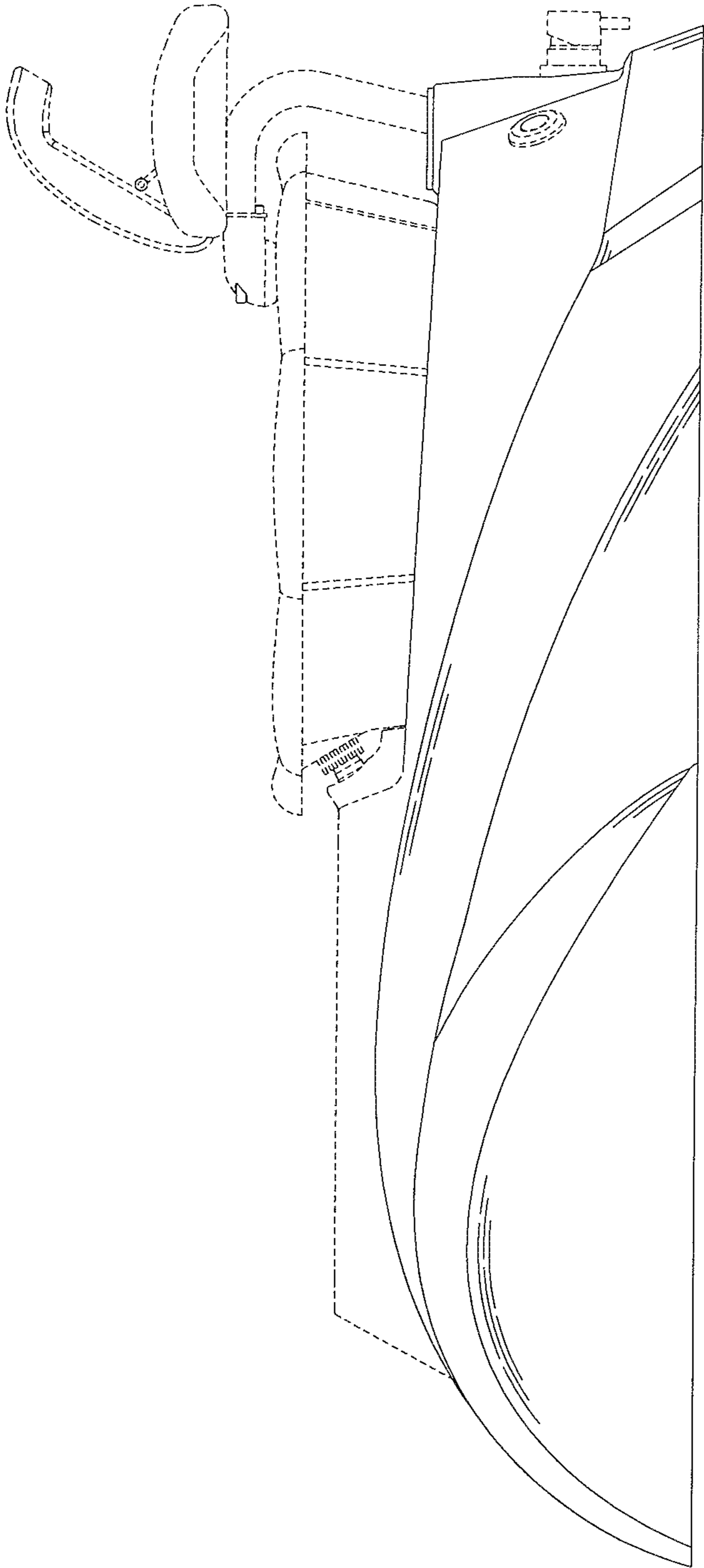


FIG. 4

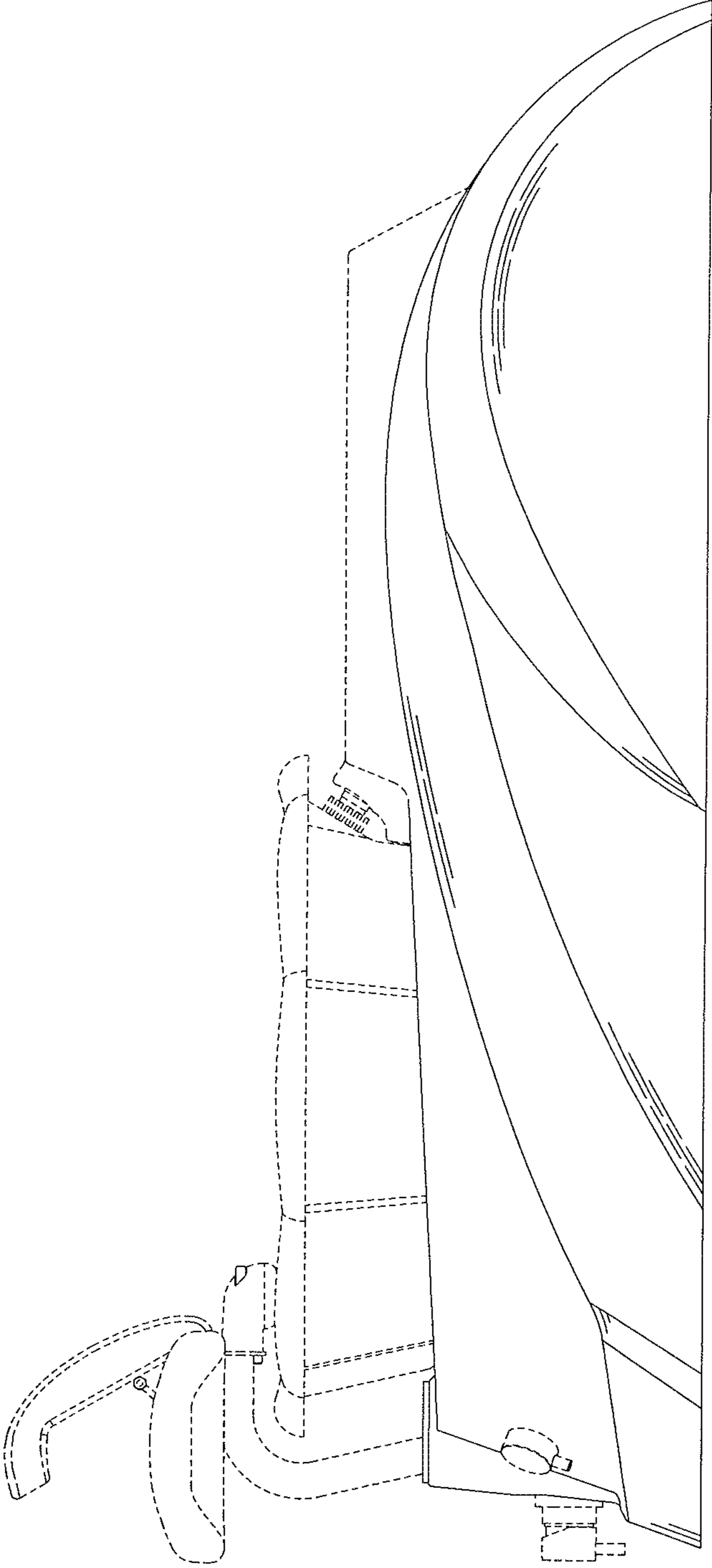


FIG. 5

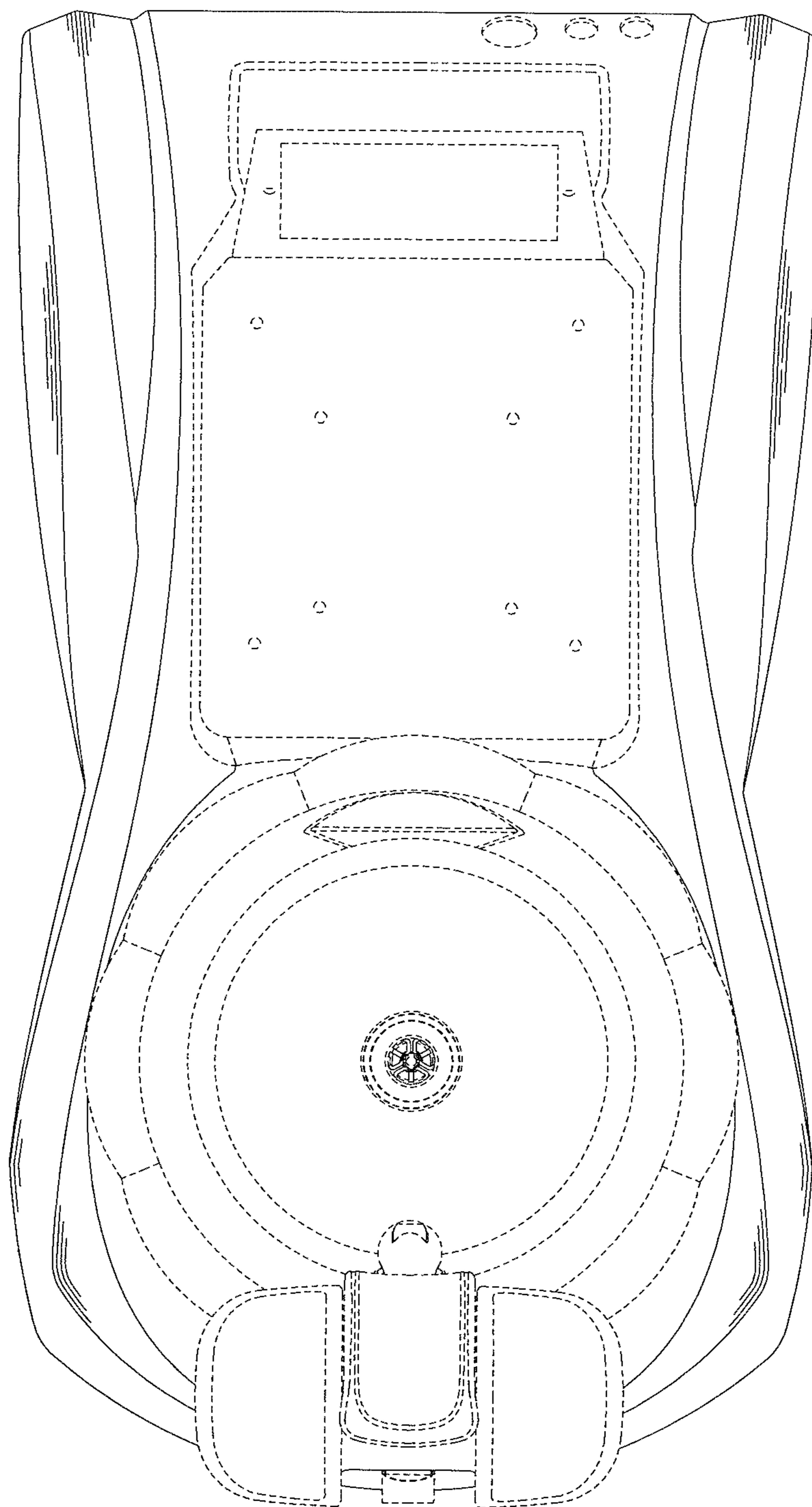


FIG. 6

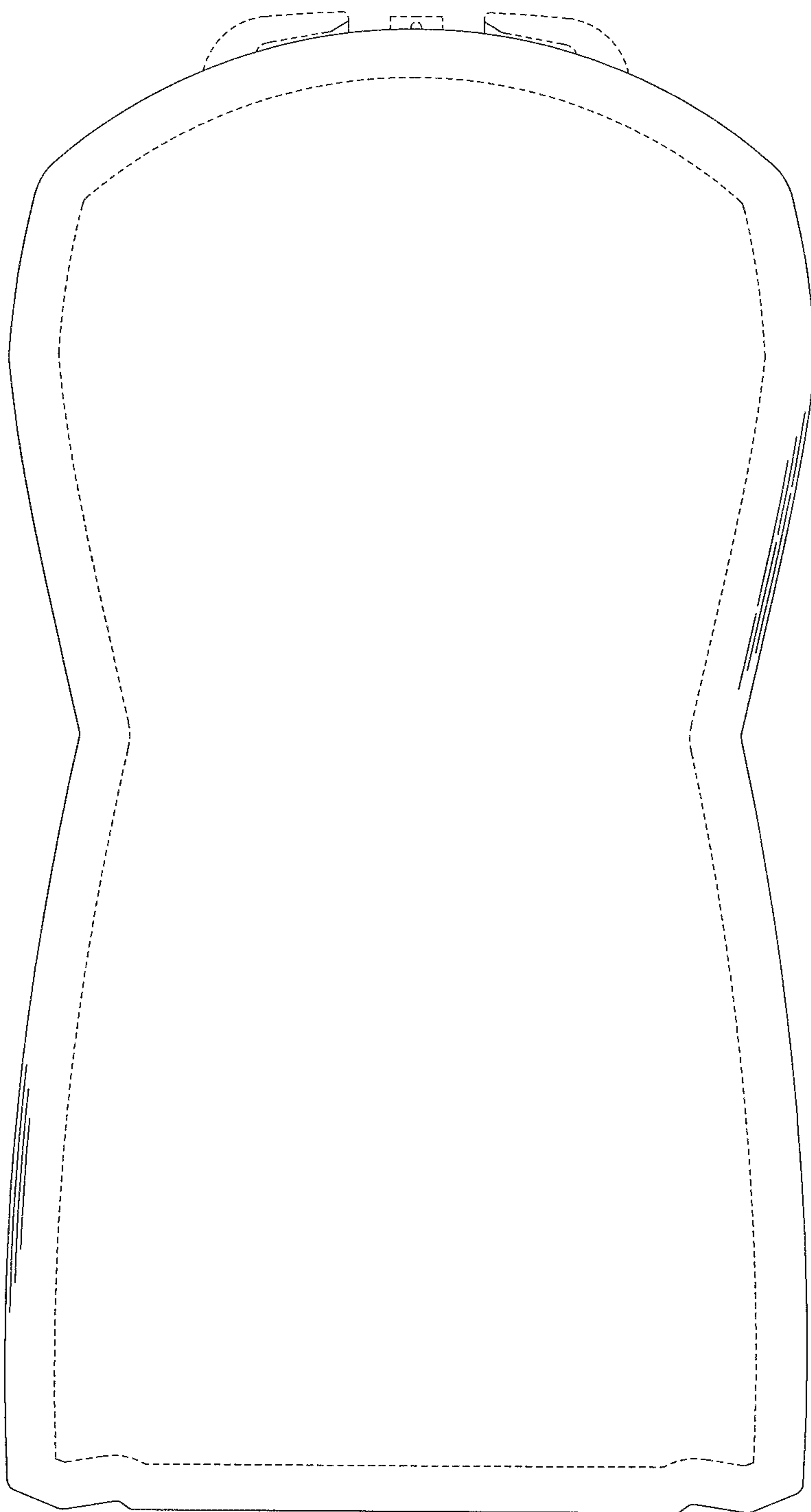


FIG. 7

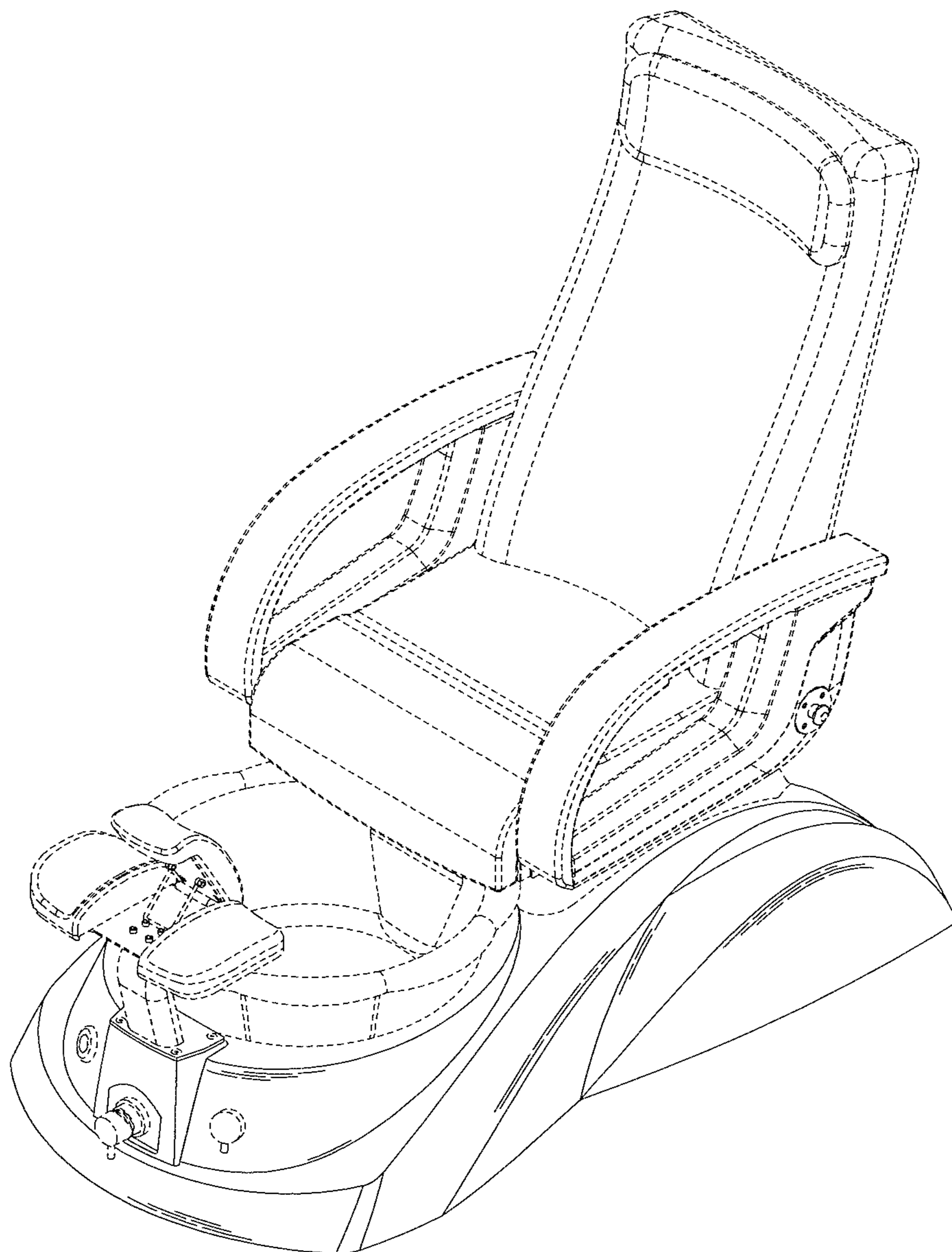


FIG. 8