



US00D760909S

(12) **United States Design Patent**
McKay

(10) **Patent No.:** **US D760,909 S**
(45) **Date of Patent:** **** Jul. 5, 2016**

(54) **ELBOW REST**
(71) Applicant: **ANKLEAID, LLC**, Ellington, CT (US)
(72) Inventor: **Scott McKay**, Ellington, CT (US)
(73) Assignee: **ANKLEAID LLC**, Ellington, CT (US)
(**) Term: **14 Years**

D421,793 S *	3/2000	Svendsen	D23/277
D435,296 S *	12/2000	Jacuzzi	D24/204
D441,075 S *	4/2001	Nara	D24/122
D528,662 S *	9/2006	Jacuzzi	D23/277
D592,737 S *	5/2009	Cunningham	D23/277
D605,754 S *	12/2009	Nelson	D24/121
D653,312 S *	1/2012	Liang	D23/278
D662,602 S *	6/2012	Foster	D24/216
D674,482 S *	1/2013	Wurapa	D24/121
D706,621 S *	6/2014	Tuchrelo	D9/425
D735,534 S *	8/2015	Berlepsch	D7/545

(21) Appl. No.: **29/476,240**

* cited by examiner

(22) Filed: **Dec. 12, 2013**

Primary Examiner — David Muller

(51) **LOC (10) Cl.** **24-04**

Assistant Examiner — Nathan Johnston

(52) **U.S. Cl.**

(74) *Attorney, Agent, or Firm* — Cantor Colburn LLP

USPC **D24/204**

(58) **Field of Classification Search**

(57) **CLAIM**

USPC D24/121–123, 112, 207, 216, 224, 201,
D24/204, 205; D9/716, 425, 428, 429, 702,
D9/703, 712; D7/679, 543, 545, 565, 587,
D7/667; 220/574, 608; 604/540, 329, 317;
4/650, 621, 159, 182, 656,
4/541.1–541.6, 547, 578, 579;
D23/276–278, 280.1–280.3, 284, 289;
601/154–158
CPC A41D 13/065; A63B 2071/125; A63B
71/1225

An ornamental design for an elbow rest, as shown and described.

See application file for complete search history.

DESCRIPTION

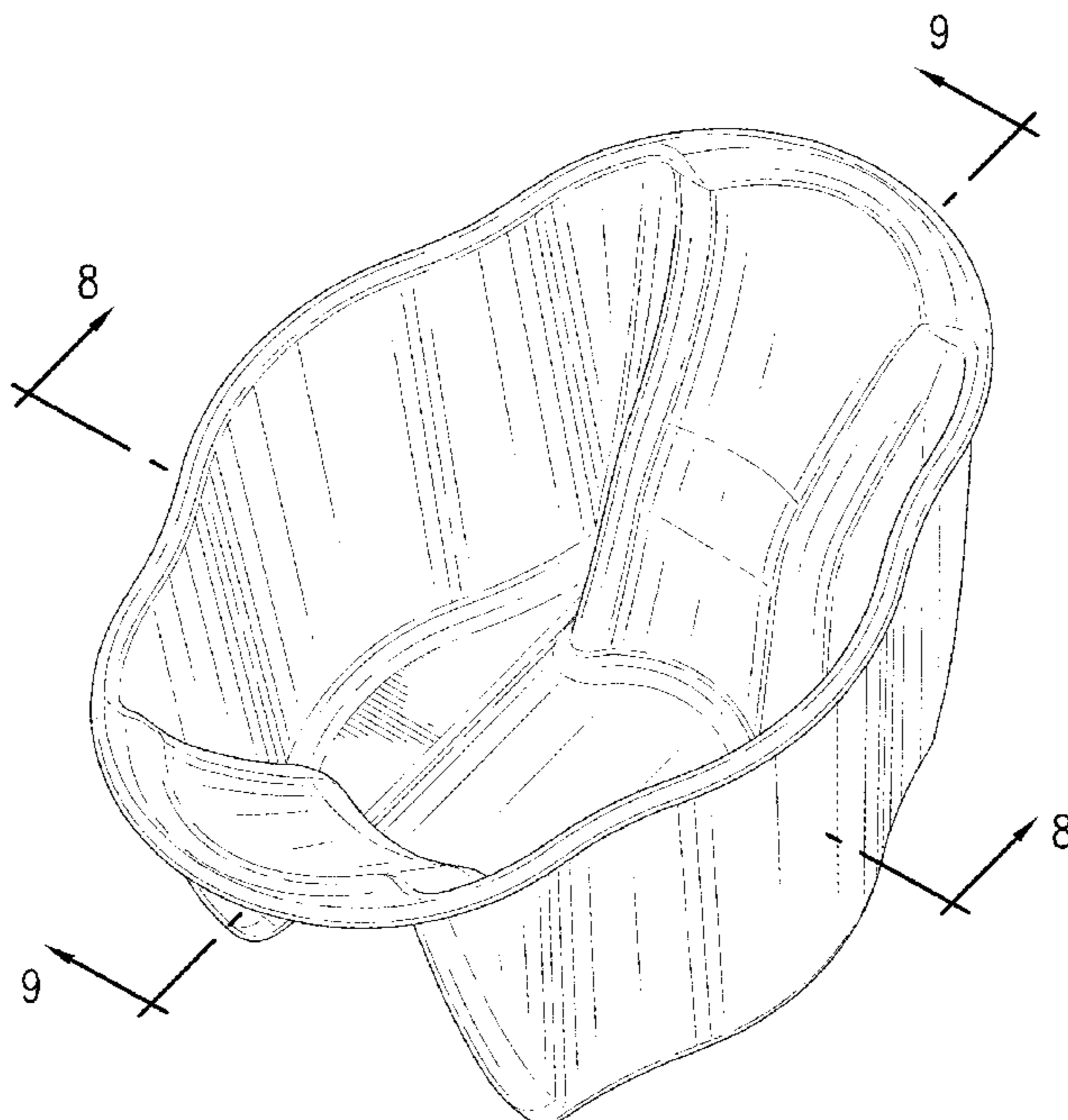
(56) **References Cited**

FIG. 1 is a perspective view of an elbow rest, showing my new design;
FIG. 2 is a front elevation view thereof;
FIG. 3 is a rear elevation view thereof;
FIG. 4 is a left side elevation view thereof;
FIG. 5 is a right side elevation view thereof;
FIG. 6 is a top plan view thereof;
FIG. 7 is a bottom plan view thereof;
FIG. 8 is a front sectional view taken along line 8-8 as shown in FIG. 1; and,
FIG. 9 is a side sectional view taken along line 9-9 as shown in FIG. 1.

U.S. PATENT DOCUMENTS

D223,831 S *	6/1972	Perlman	D23/276
D230,651 S *	3/1974	Grube	D21/815

1 Claim, 9 Drawing Sheets



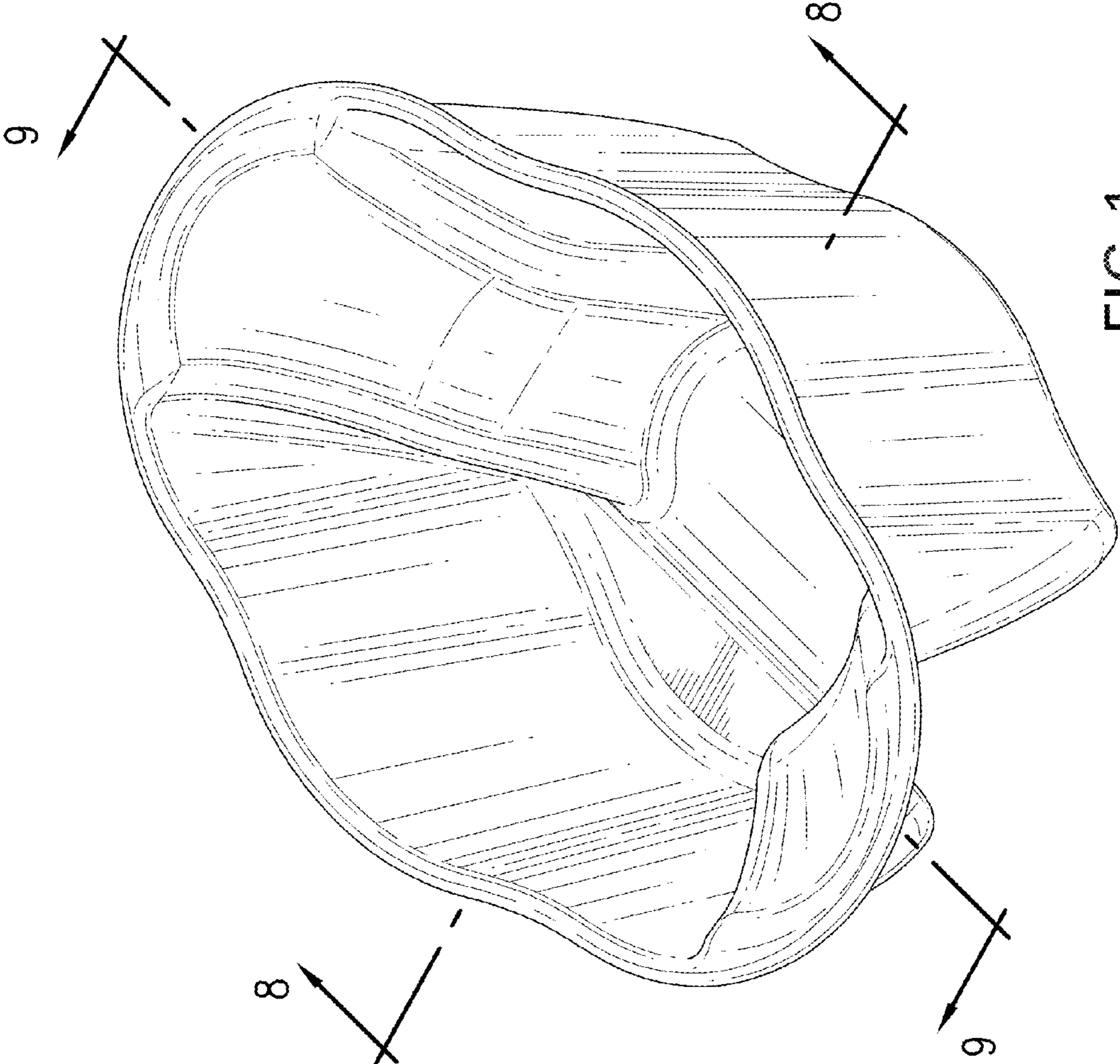


FIG.1

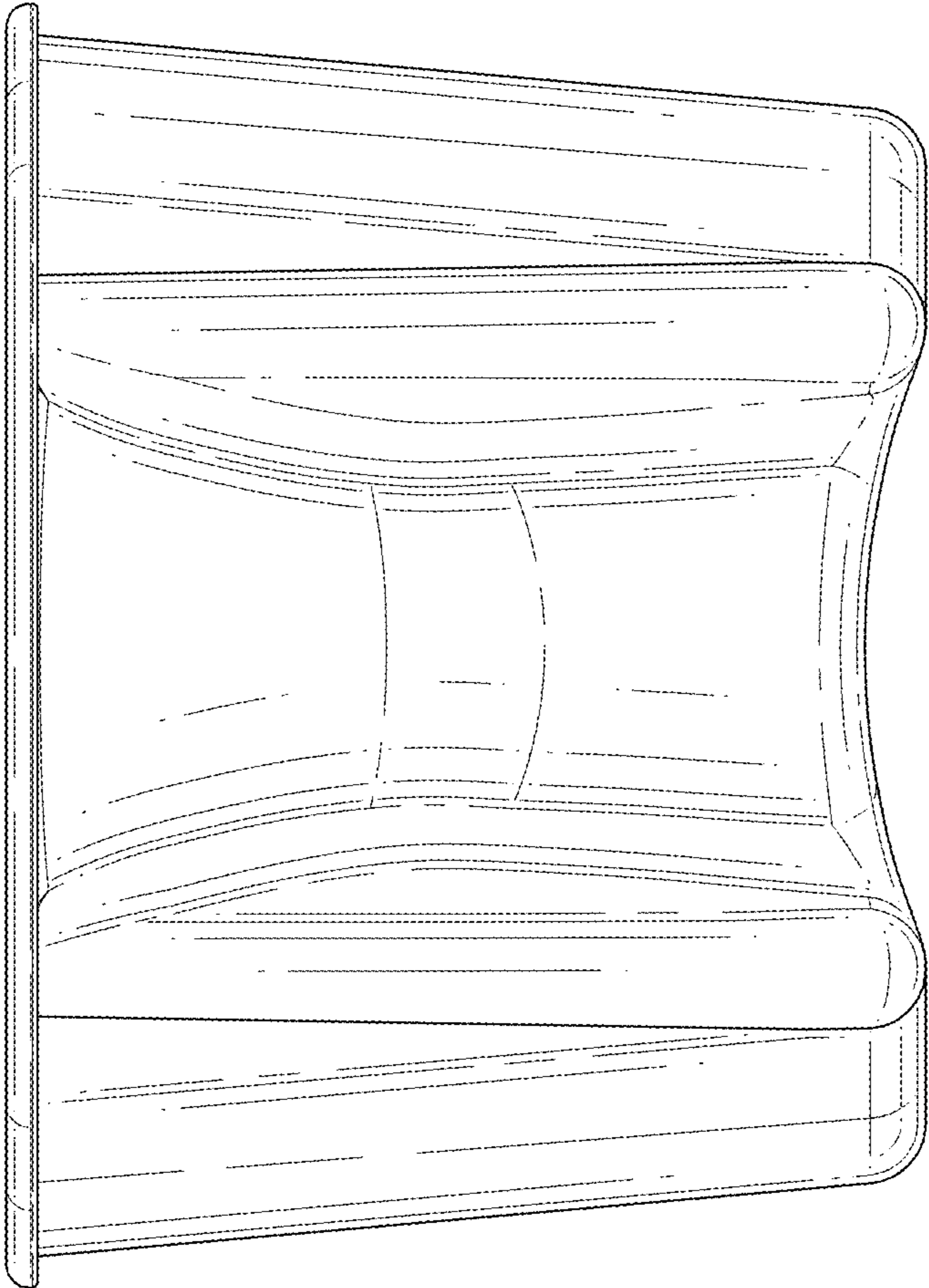


FIG. 2

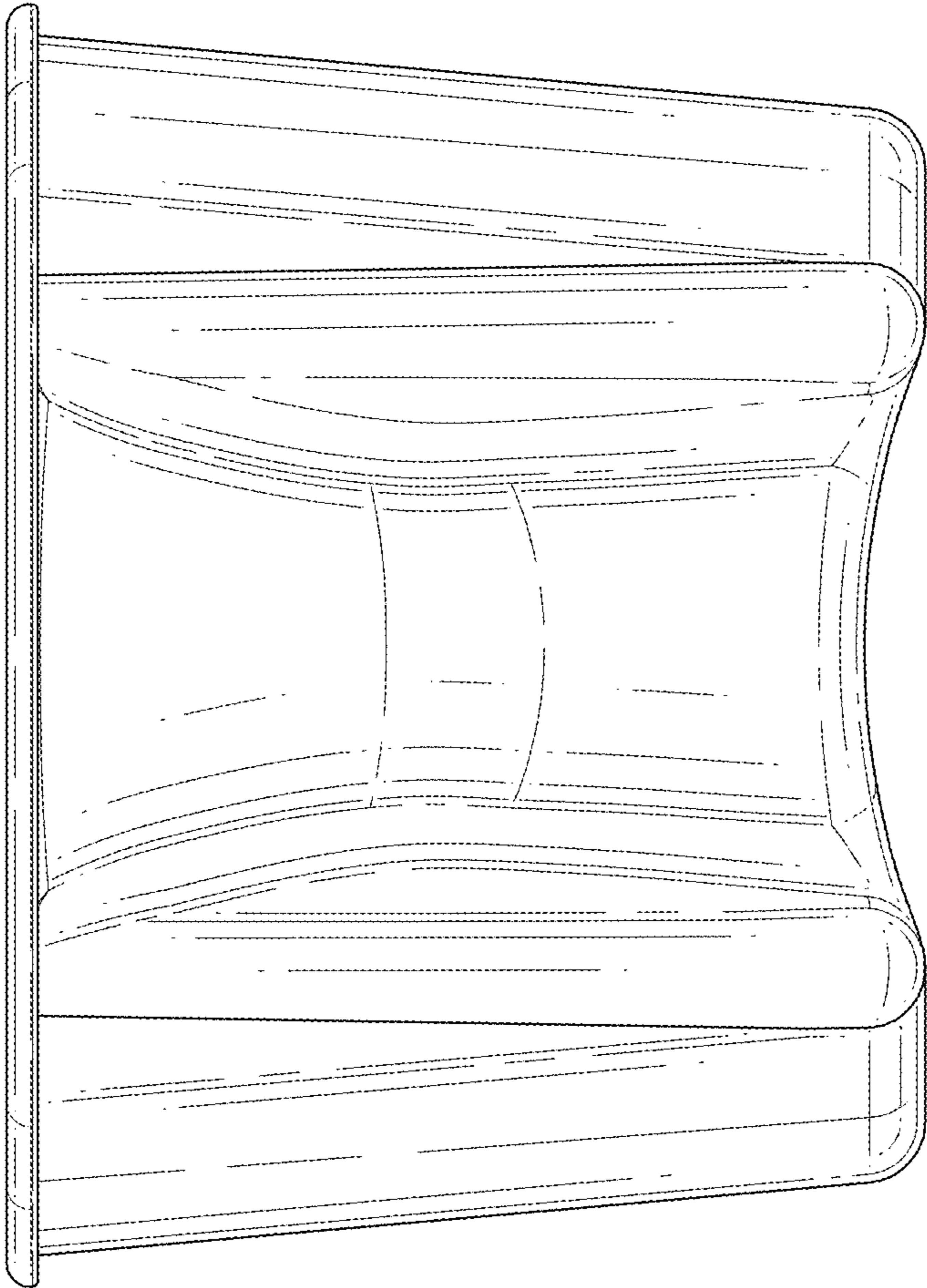


FIG. 3

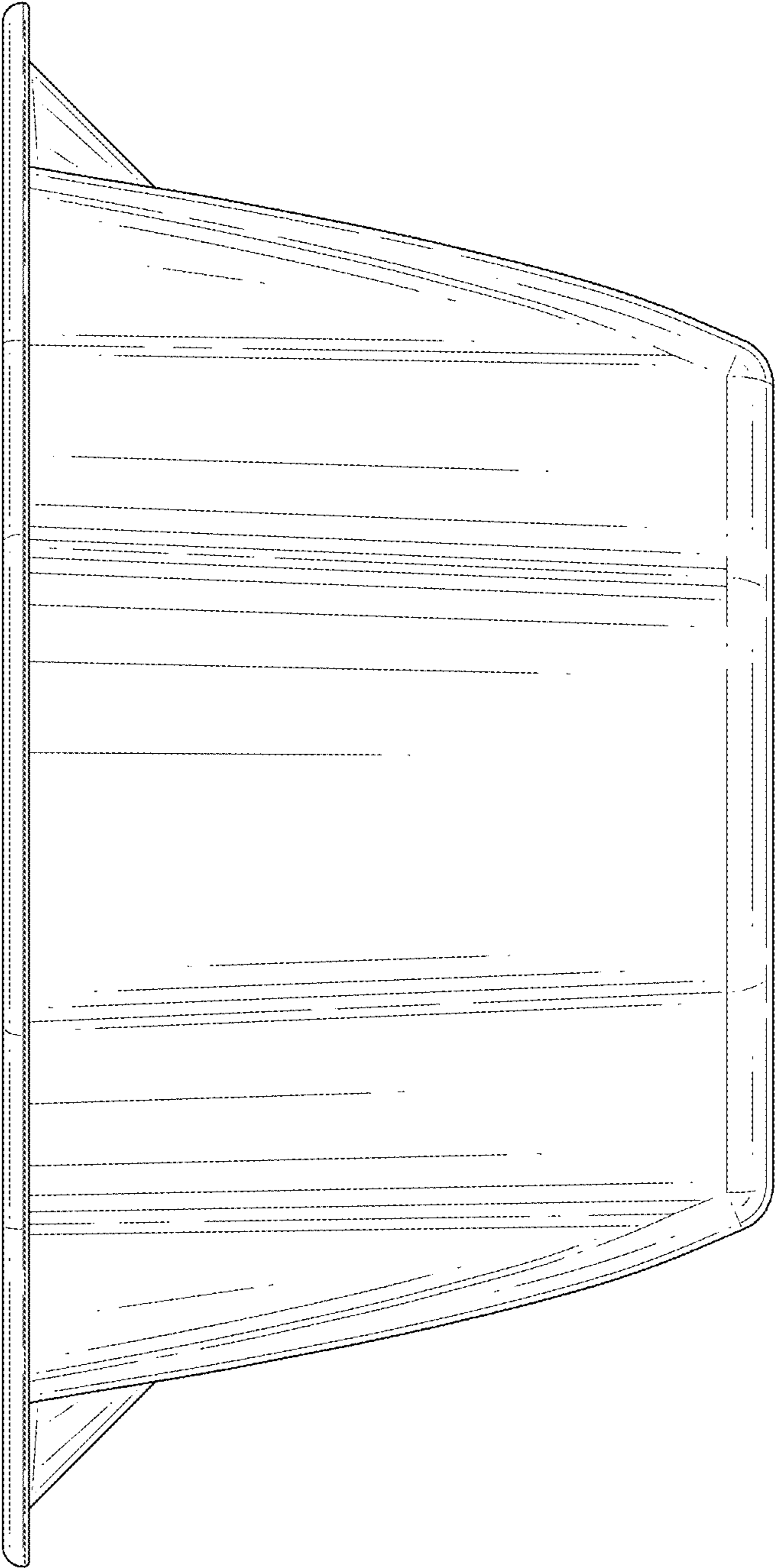


FIG.4

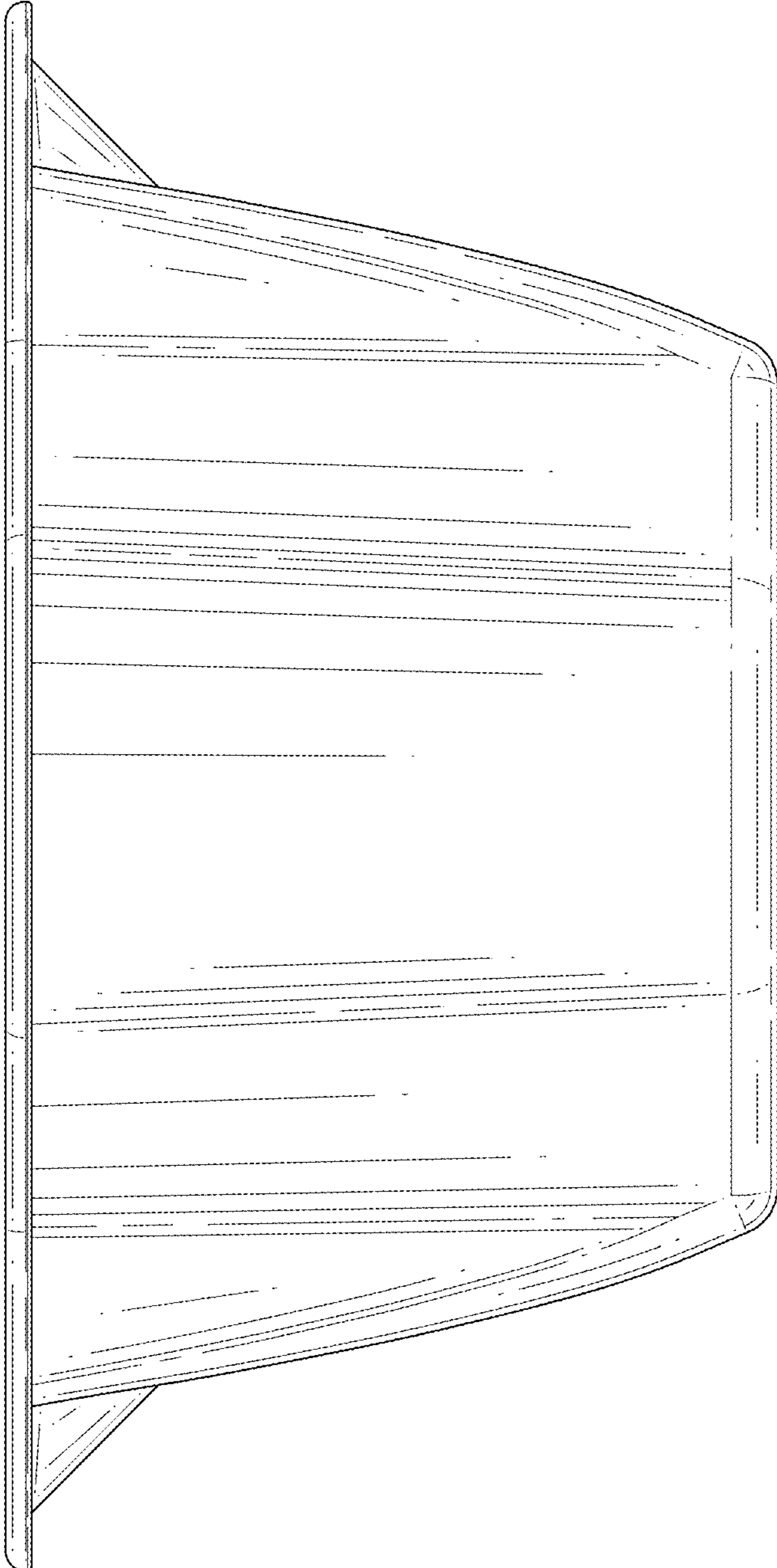


FIG. 5

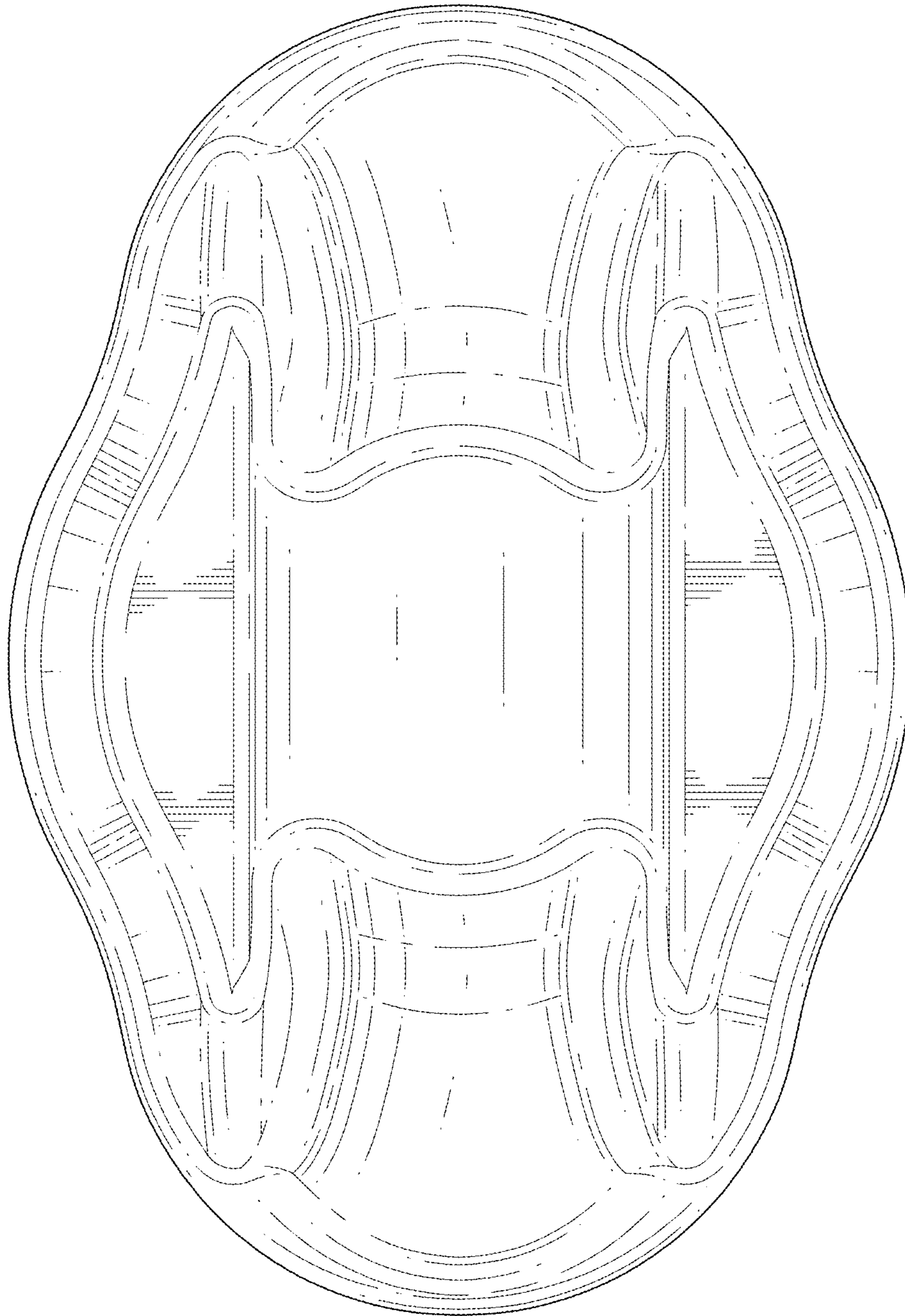


FIG. 6

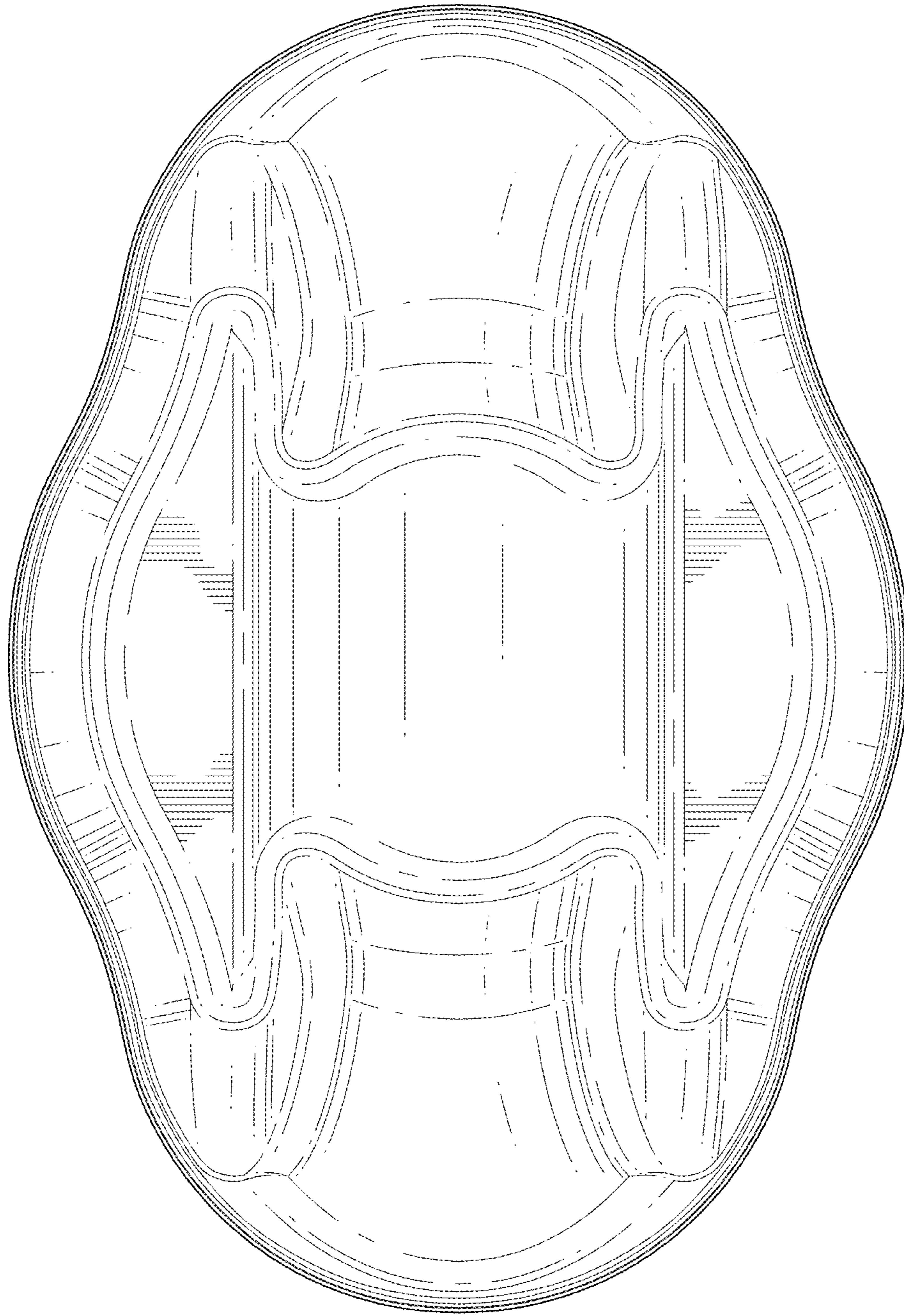


FIG. 7

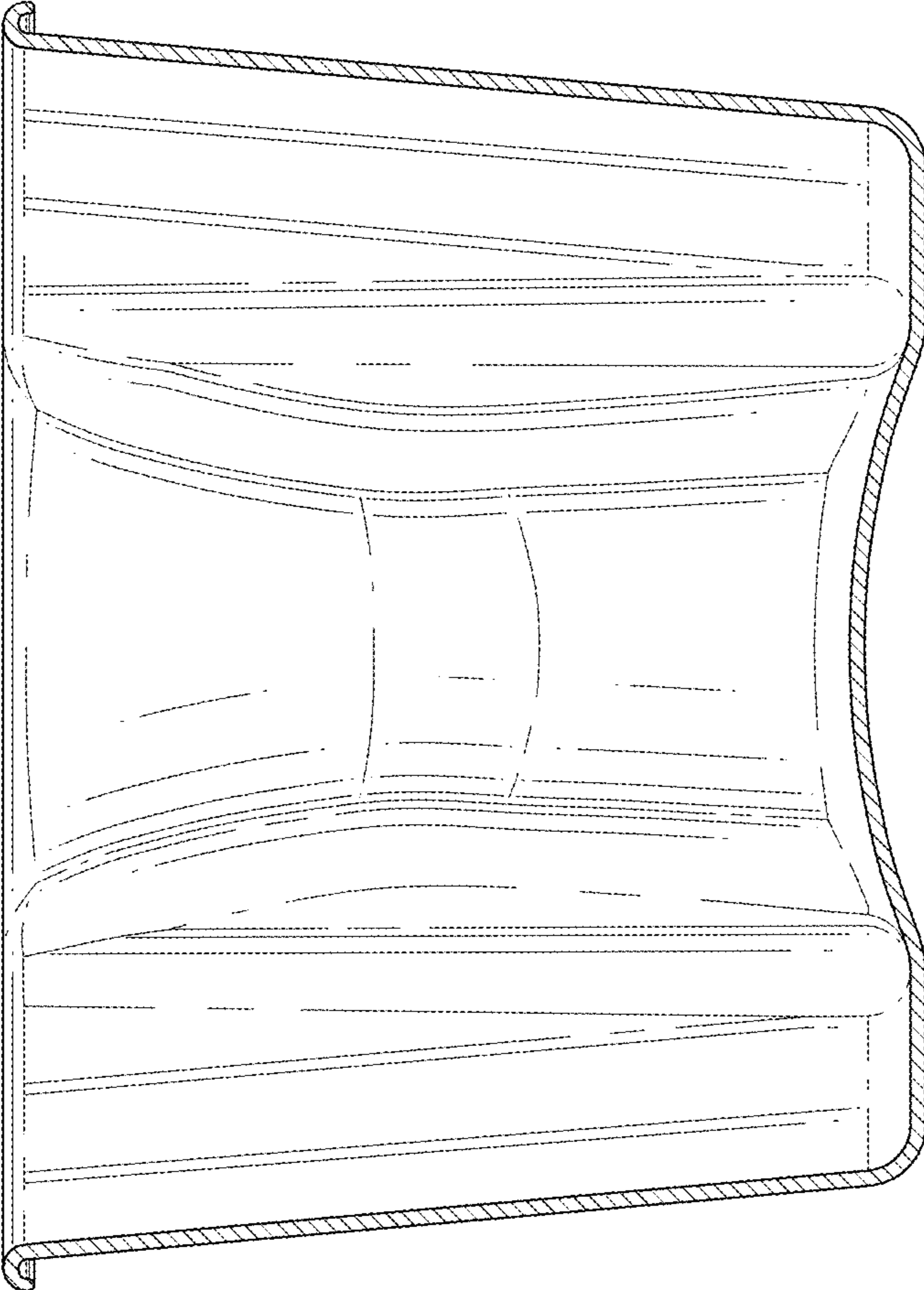


FIG. 8

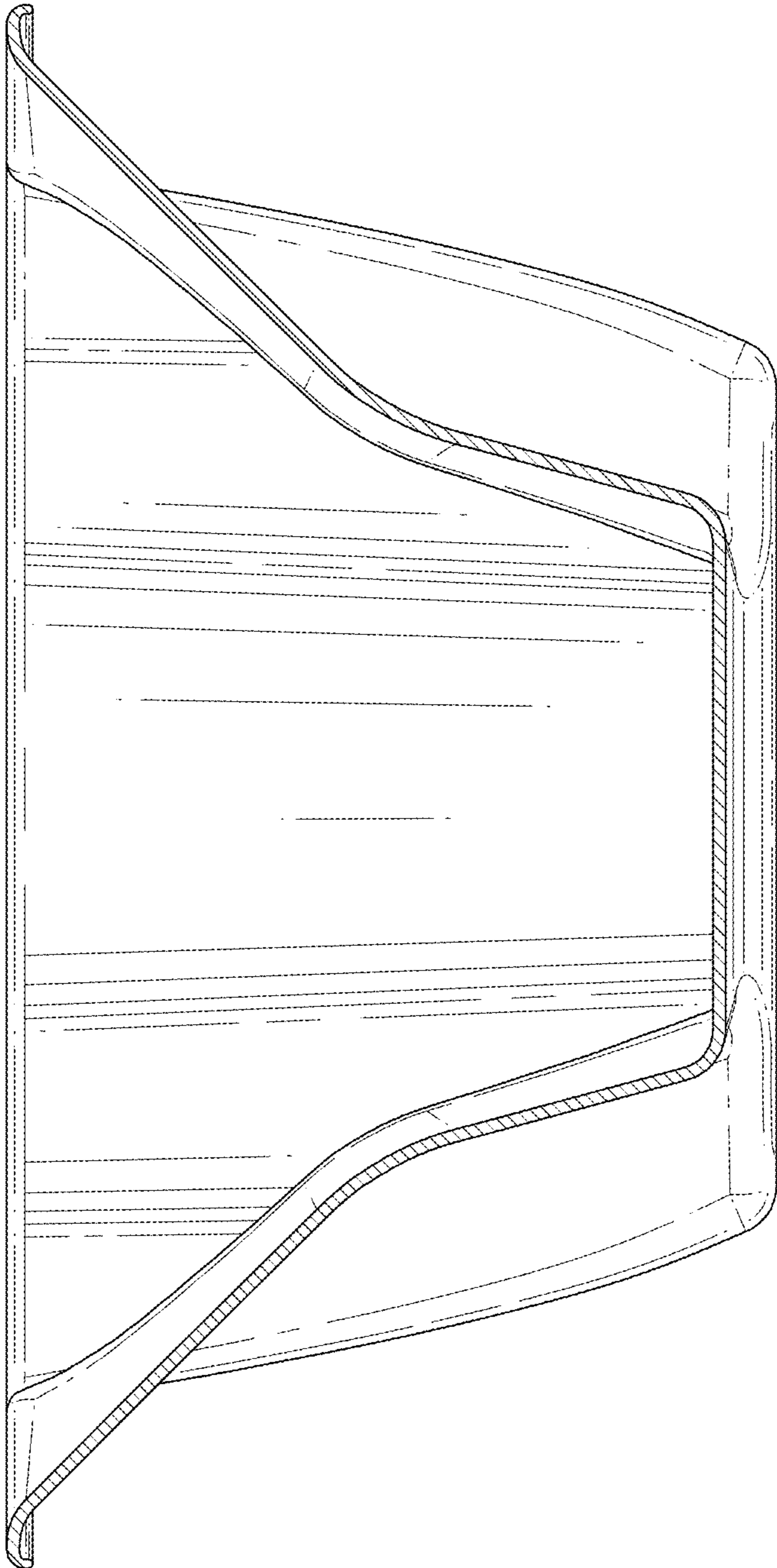


FIG. 9