



US00D760906S

(12) **United States Design Patent**
Gelb et al.

(10) **Patent No.:** **US D760,906 S**
(45) **Date of Patent:** **** Jul. 5, 2016**

- (54) **KEY WEDGE**
- (71) Applicants: **Michael Gelb**, Hartsdale, NY (US);
Howard Hindin, Suffern, NY (US)
- (72) Inventors: **Michael Gelb**, Hartsdale, NY (US);
Howard Hindin, Suffern, NY (US)
- (**) Term: **14 Years**
- (21) Appl. No.: **29/524,930**
- (22) Filed: **Apr. 24, 2015**
- (51) **LOC (10) Cl.** **24-02**
- (52) **U.S. Cl.**
USPC **D24/180**
- (58) **Field of Classification Search**
USPC D24/176-182, 152, 155-156; 433/19;
128/859, 861
CPC A61F 5/566; A61F 5/56; A61C 7/00;
A61C 7/08; A61C 7/10; A61C 7/36; A61C
5/14; A63B 71/085
See application file for complete search history.

8,833,374 B2 * 9/2014 Fallon A61F 5/566
128/848
D738,513 S * 9/2015 Coreil D24/180
2015/0064650 A1 * 3/2015 Durandis A61C 7/00
433/148

* cited by examiner

Primary Examiner — Wan Laymon

(74) *Attorney, Agent, or Firm* — Andrew F. Young, Esq.;
Lackebach Siegel, LLP

(57) **CLAIM**

The ornamental design for a key wedge, as shown and described.

DESCRIPTION

This application relates to PCT/US2015/021266 filed Mar. 18, 2015 which in turn relates to U.S. Prov. Ser. No. 61/955, 274 filed Mar. 19, 2014 the entire contents of each of which are incorporated herein by reference.

FIG. 1 is a front perspective view of the key wedge.

FIG. 2 is a top plan view of FIG. 1.

FIG. 3 is a bottom plan view of FIG. 1.

FIG. 4 is a rear elevation view of FIG. 1.

FIG. 5 is a front side elevation view of FIG. 1.

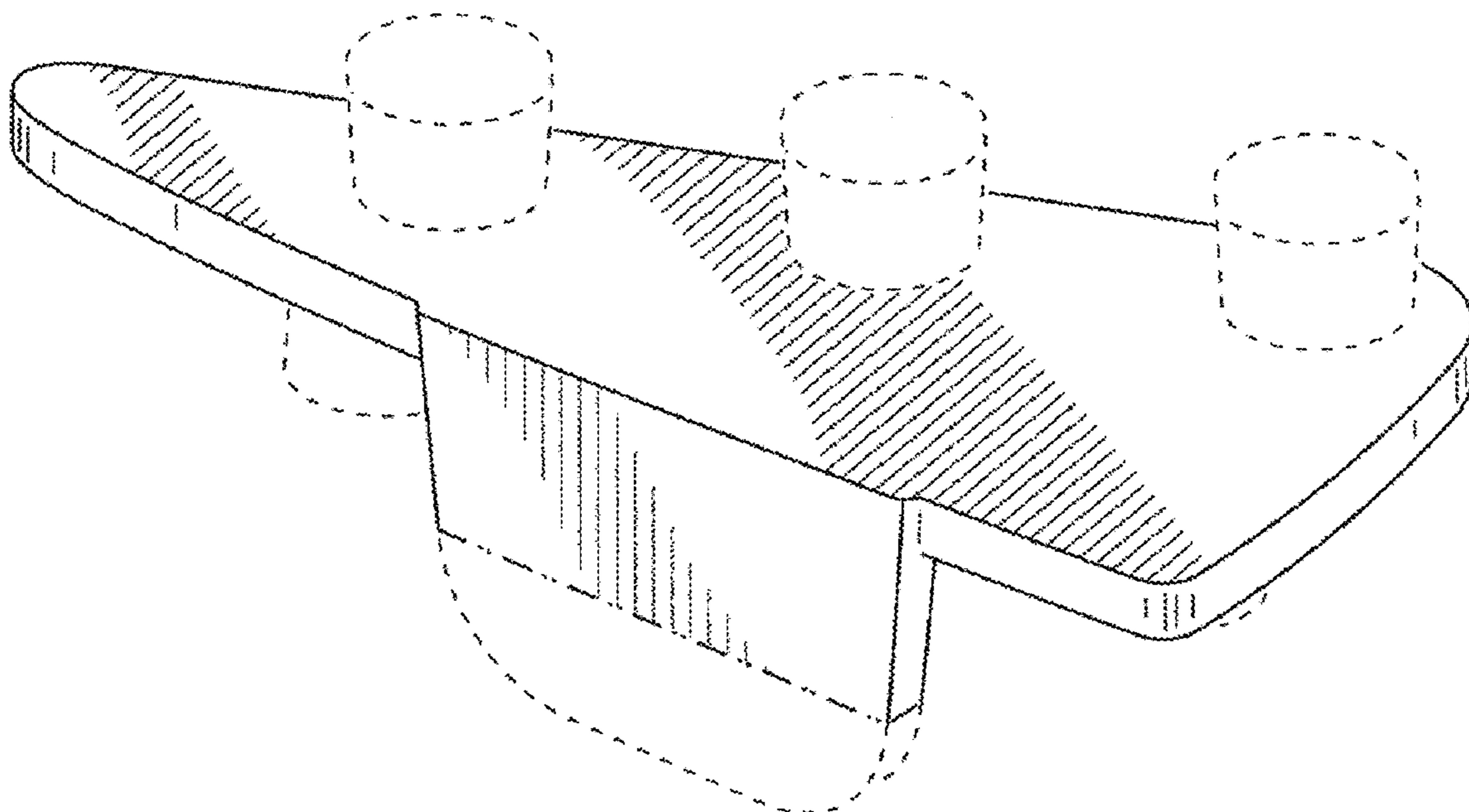
FIG. 6 is a left side elevation view of FIG. 1; and,

FIG. 7 is a right side elevation view of FIG. 1.

The present invention is a key wedge for use in a medical device.

The broken lines and dashed-dot-dot lines shown in the figures represent portions of the key wedge that form no part of the claimed design. The surfaces are lightly lined for contour only.

1 Claim, 3 Drawing Sheets



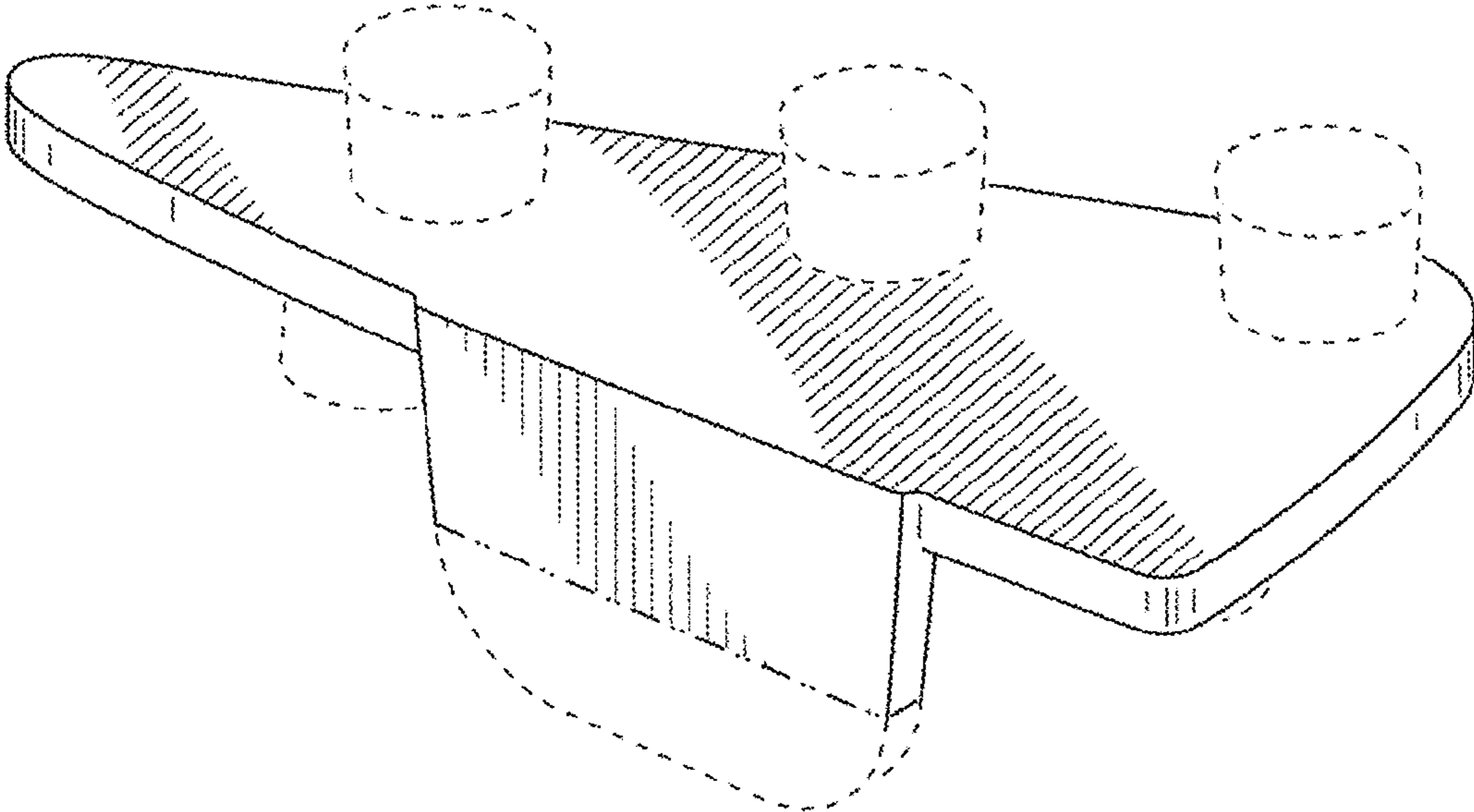


FIG. 1

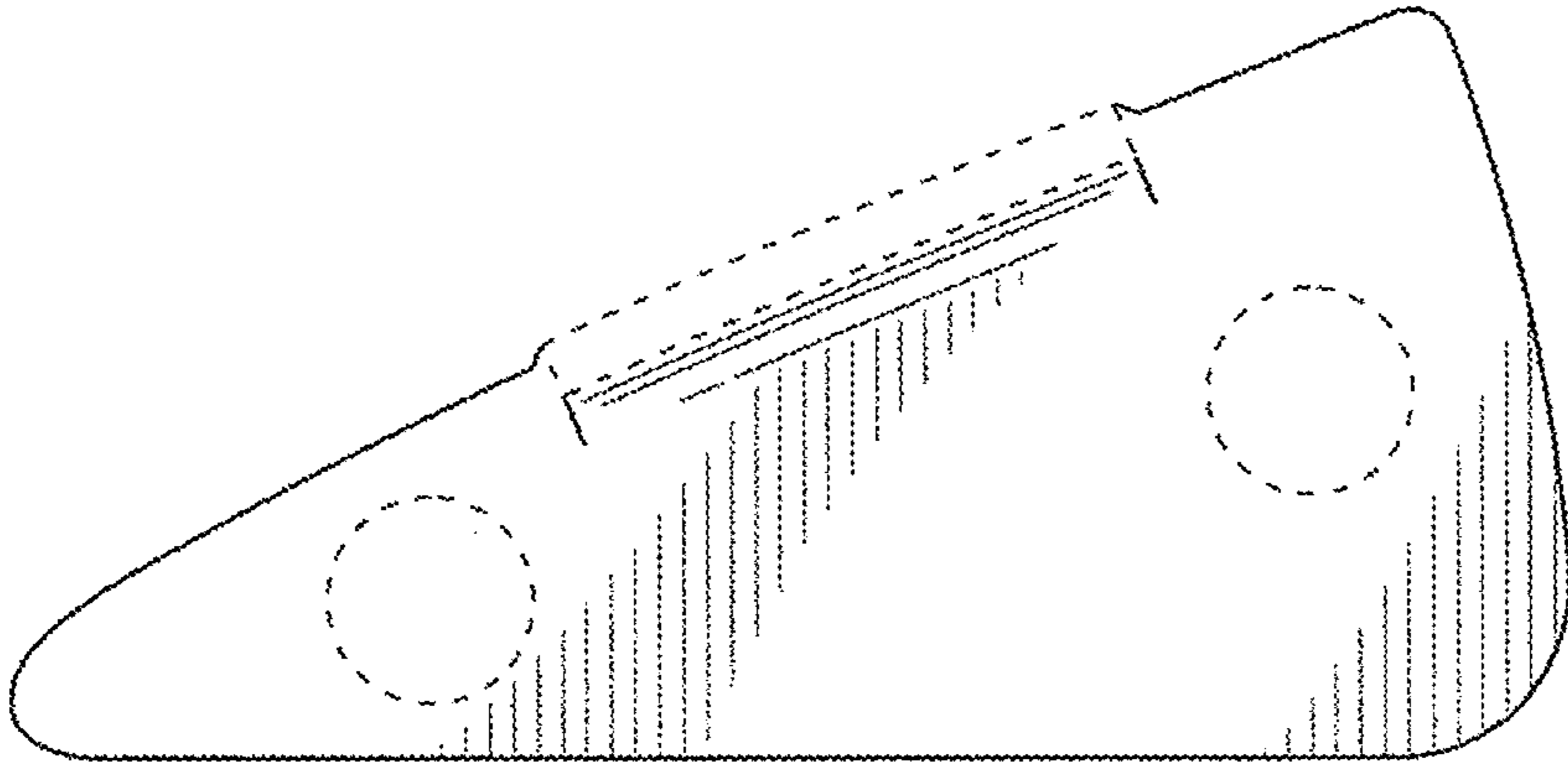


FIG. 3

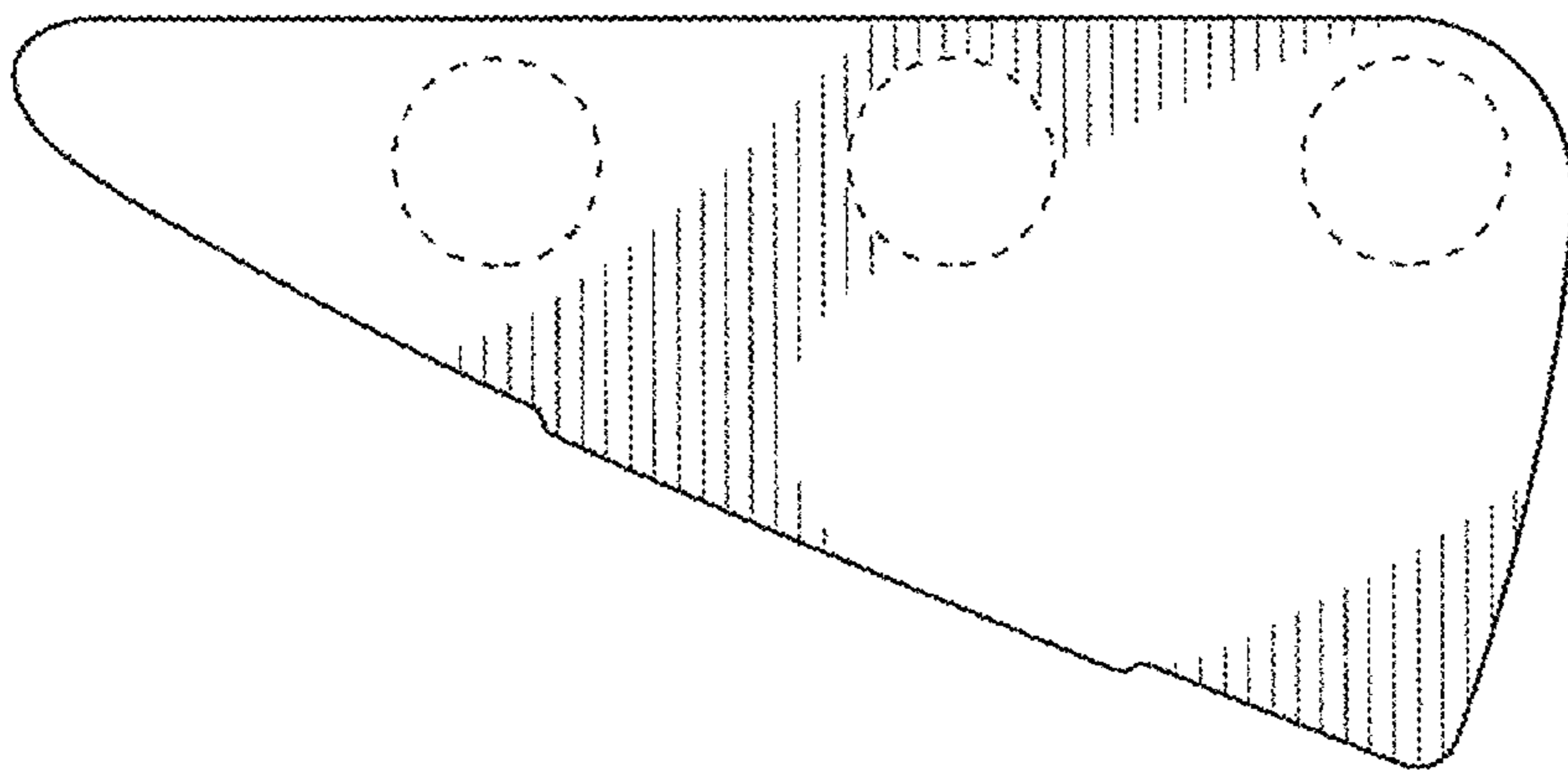


FIG. 2

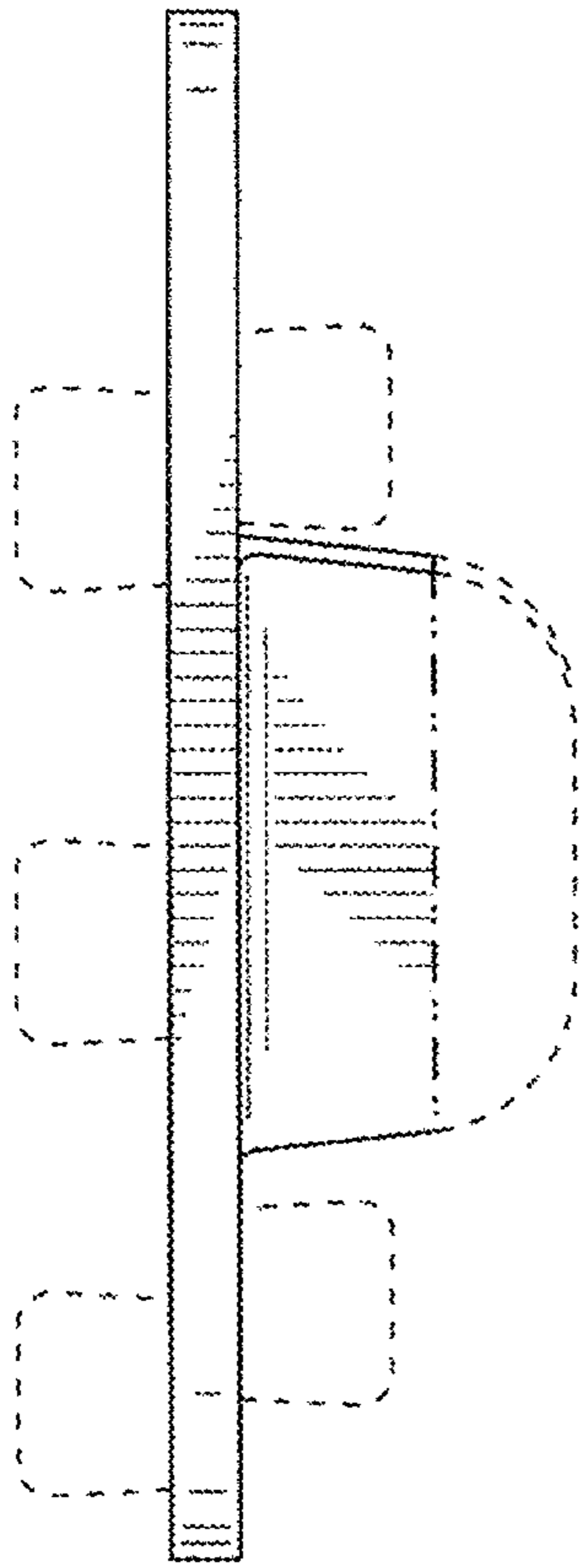


FIG. 4

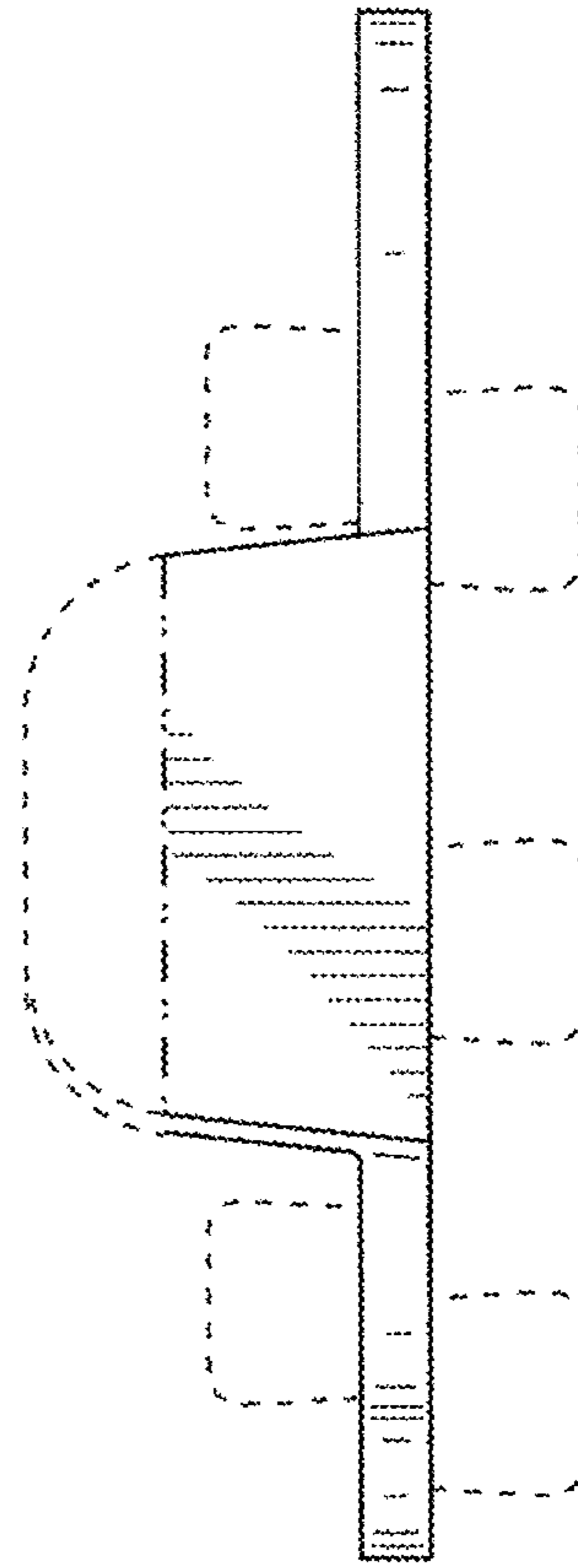


FIG. 5

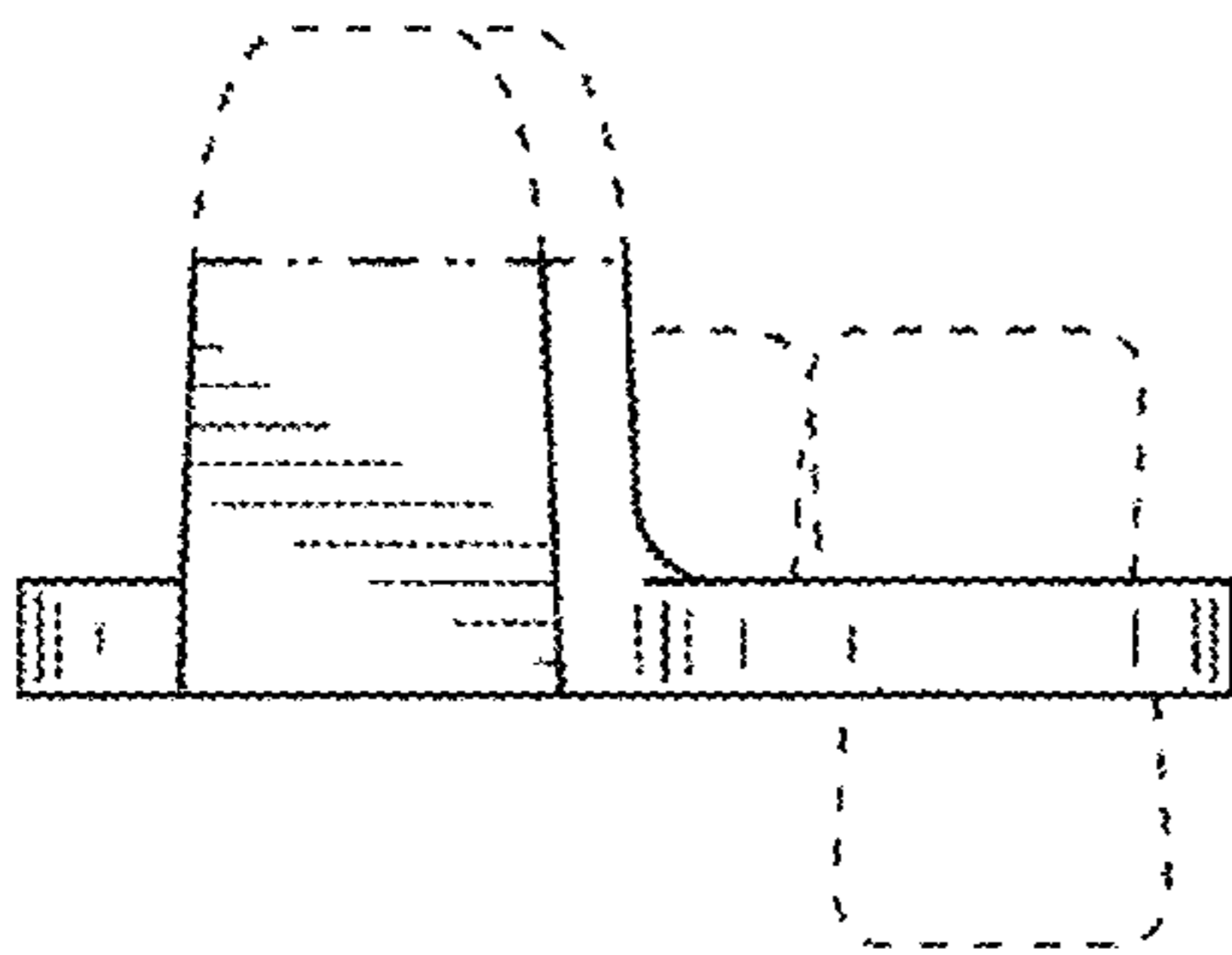


FIG. 6

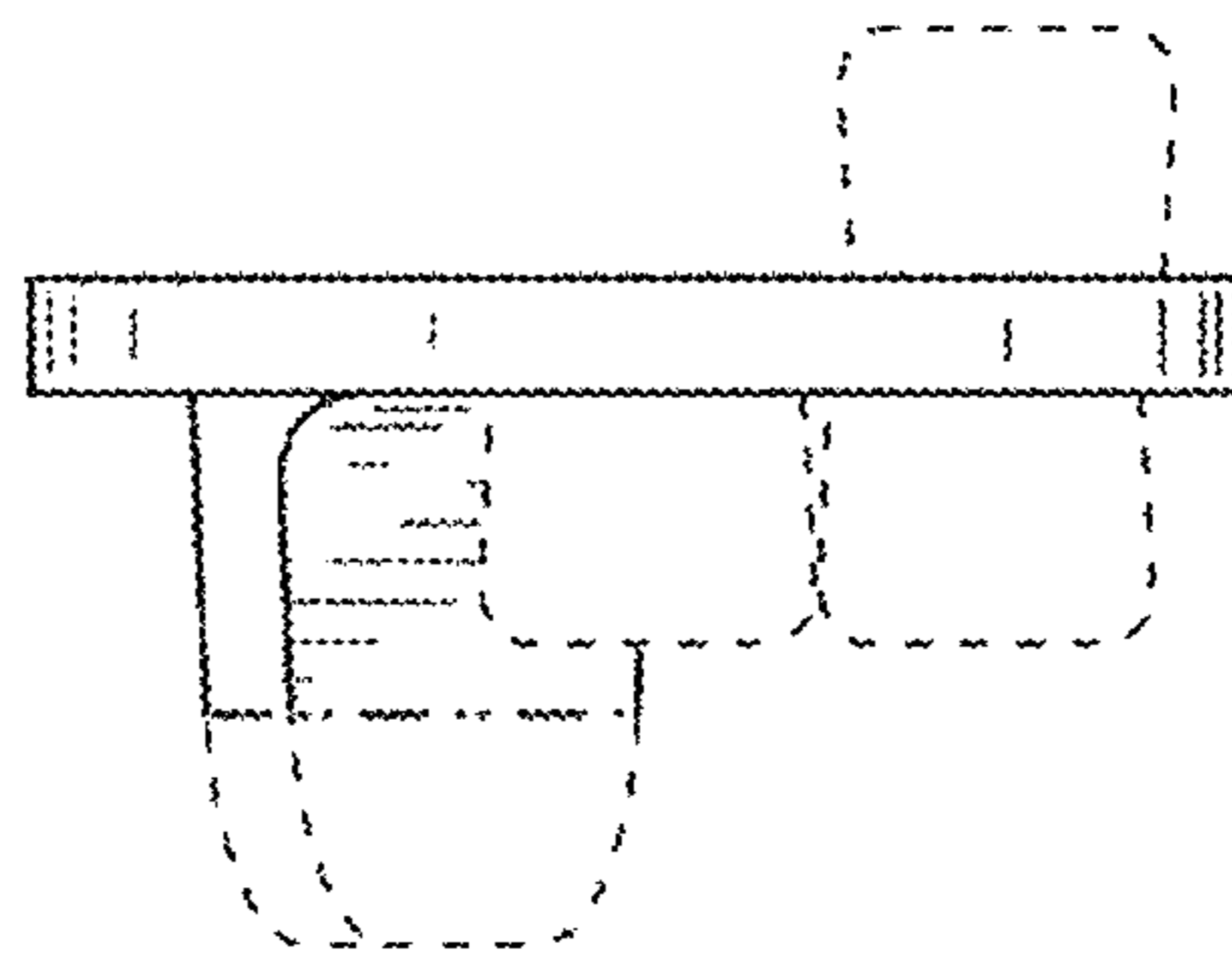


FIG. 7