



US00D760904S

(12) **United States Design Patent**  
**Jensen**

(10) **Patent No.:** **US D760,904 S**  
(45) **Date of Patent:** **\*\* Jul. 5, 2016**

(54) **MEDICAL INSTRUMENT FOR MEASURING HEART RATE**

(71) Applicant: **MEDICUS ENGINEERING ApS,**  
Aarhus N (DK)  
(72) Inventor: **Anders Gert Jensen,** Aarhus C (DK)  
(73) Assignee: **Medicus Engineering ApS,** Aarhus N (DK)  
(\*\*) Term: **14 Years**

(21) Appl. No.: **29/508,927**

(22) Filed: **Nov. 12, 2014**

(30) **Foreign Application Priority Data**

May 12, 2014 (EM) ..... 002461657-0001

(51) **LOC (10) Cl.** ..... **24-01**

(52) **U.S. Cl.**  
USPC ..... **D24/167**

(58) **Field of Classification Search**  
USPC ..... D24/164-168, 186, 187; D10/75, 70  
CPC .... A61B 5/0402; A61B 5/0404; A61B 5/021;  
A61B 5/024; A61B 5/02438; A61B  
2560/0462; A61B 2560/0205; A61B  
2560/0418; G61N 1/375

See application file for complete search history.

(56) **References Cited**

U.S. PATENT DOCUMENTS

D243,717	S	*	3/1977	Edmark	.....	D24/134
D254,569	S	*	3/1980	Moffat	.....	D24/167
D266,270	S	*	9/1982	Sugawara	.....	D24/134
4,844,090	A	*	7/1989	Sekine	.....	A61B 5/0404 600/372
2004/0249298	A1	*	12/2004	Selevan	.....	A61B 5/024 600/528
2011/0190842	A1	*	8/2011	Johnson	.....	A61N 1/375 607/37
2014/0163349	A1	*	6/2014	Amitai	.....	A61B 5/0404 600/393

\* cited by examiner

*Primary Examiner* — Anhdao Doan

(74) *Attorney, Agent, or Firm* — Dykema Gossett PLLC

(57) **CLAIM**

The ornamental design for a medical instrument for measuring heart rate, as shown and described.

**DESCRIPTION**

FIG. 1 is a perspective top and side view of a medical instrument for measuring heart rate according to my new and ornamental design,

FIG. 2 is a perspective bottom and opposite side view thereof,

FIG. 3 is a top plan view thereof,

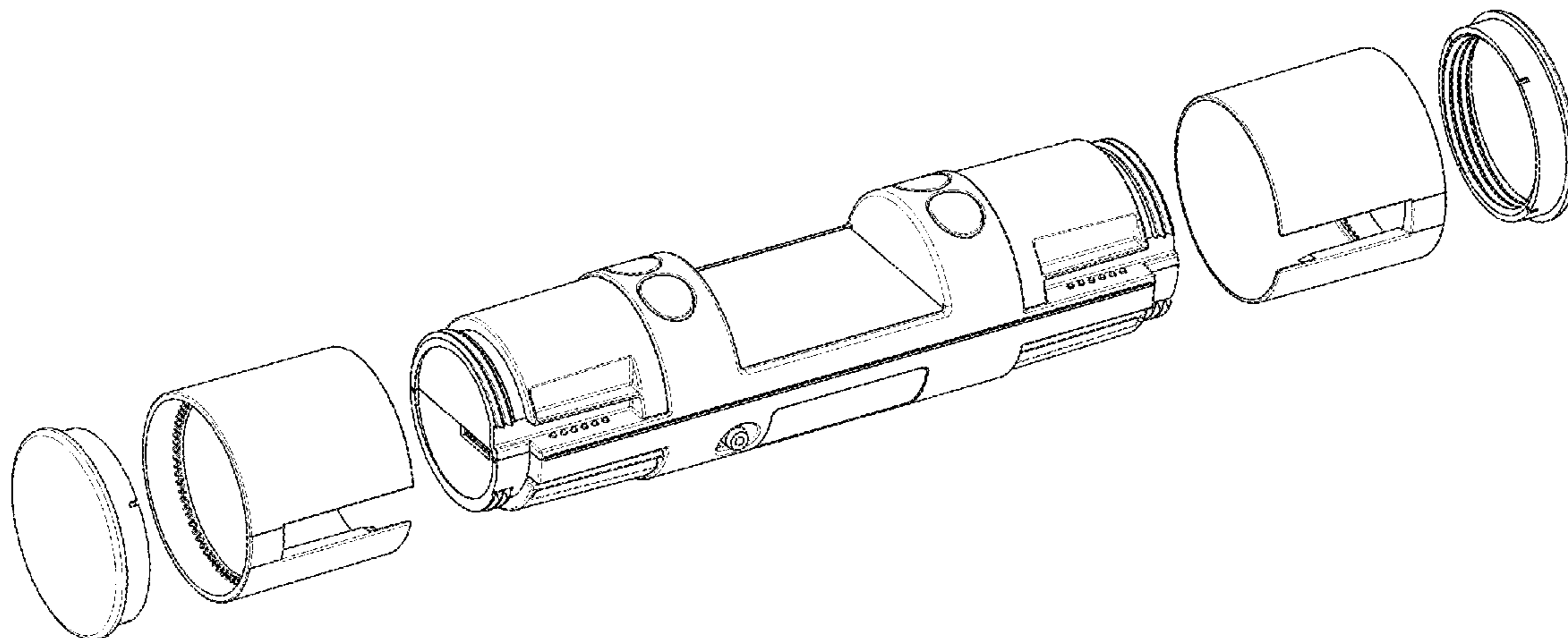
FIG. 4 is a bottom plan view thereof,

FIG. 5 is a first side view thereof,

FIG. 6 is an opposite, second side view thereof; and,

FIG. 7 is a partially exploded view thereof.

**1 Claim, 7 Drawing Sheets**



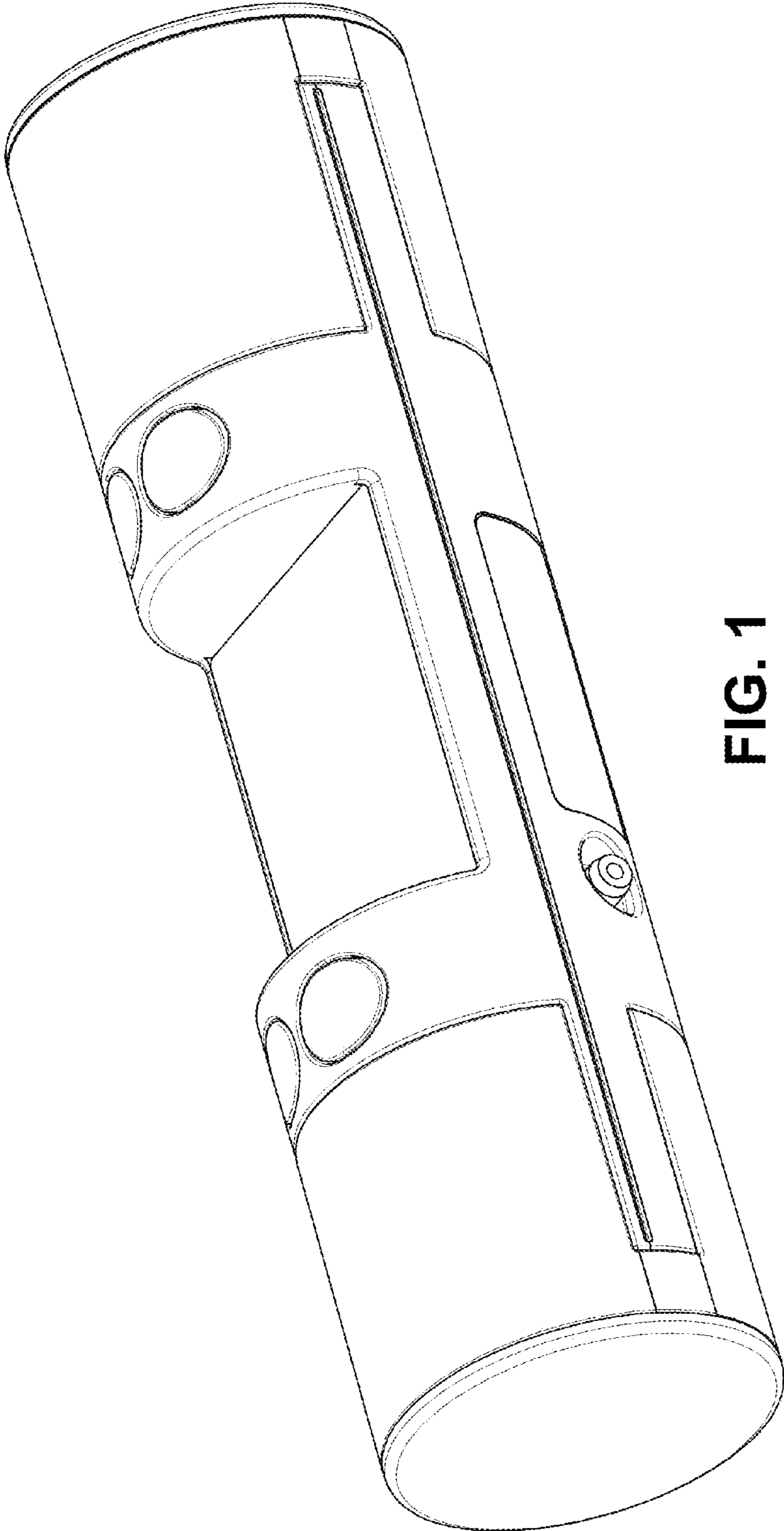


FIG. 1

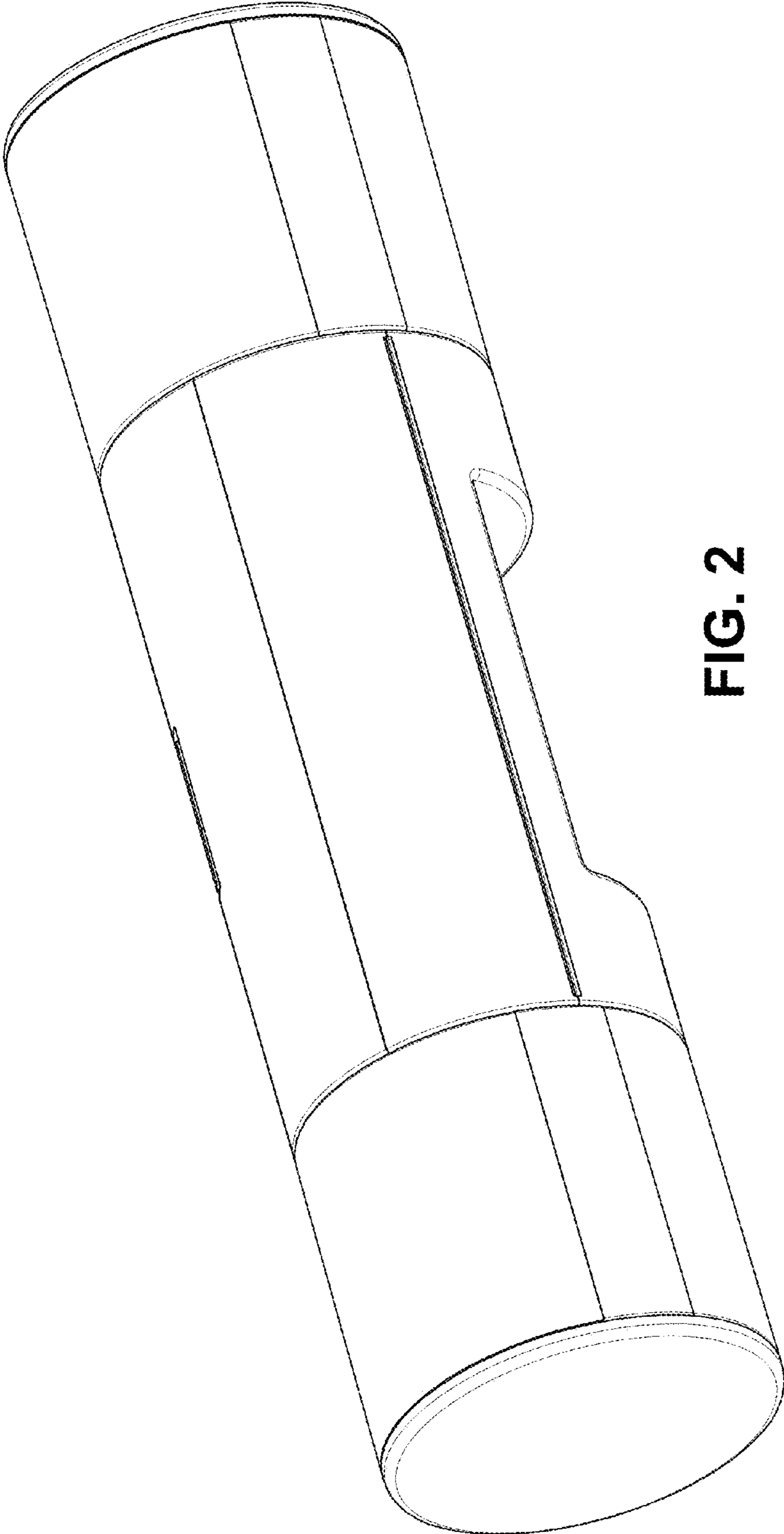


FIG. 2

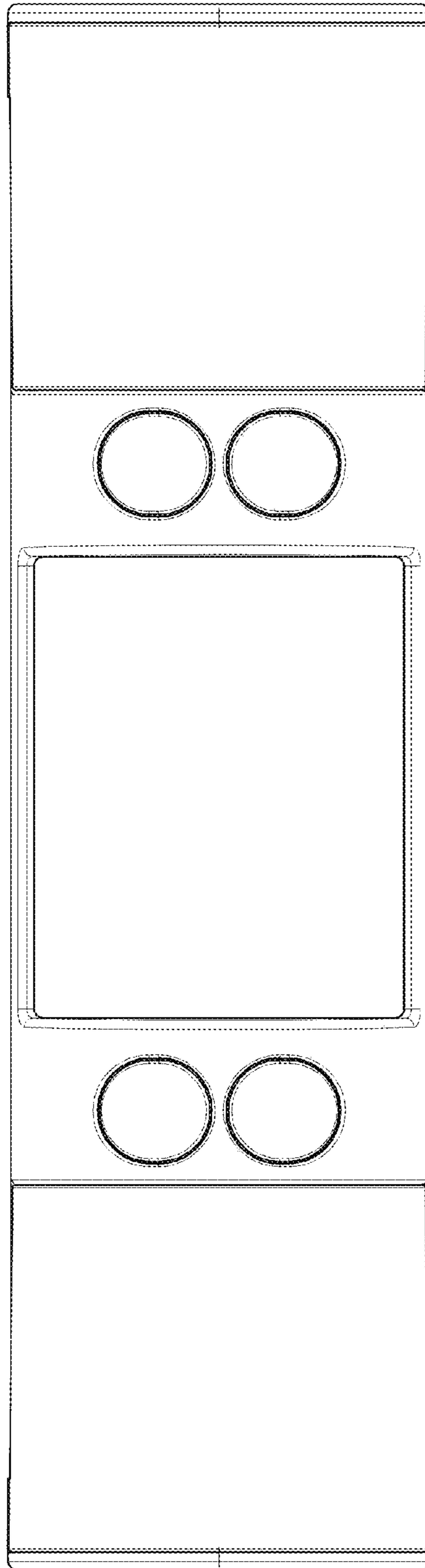


FIG. 3

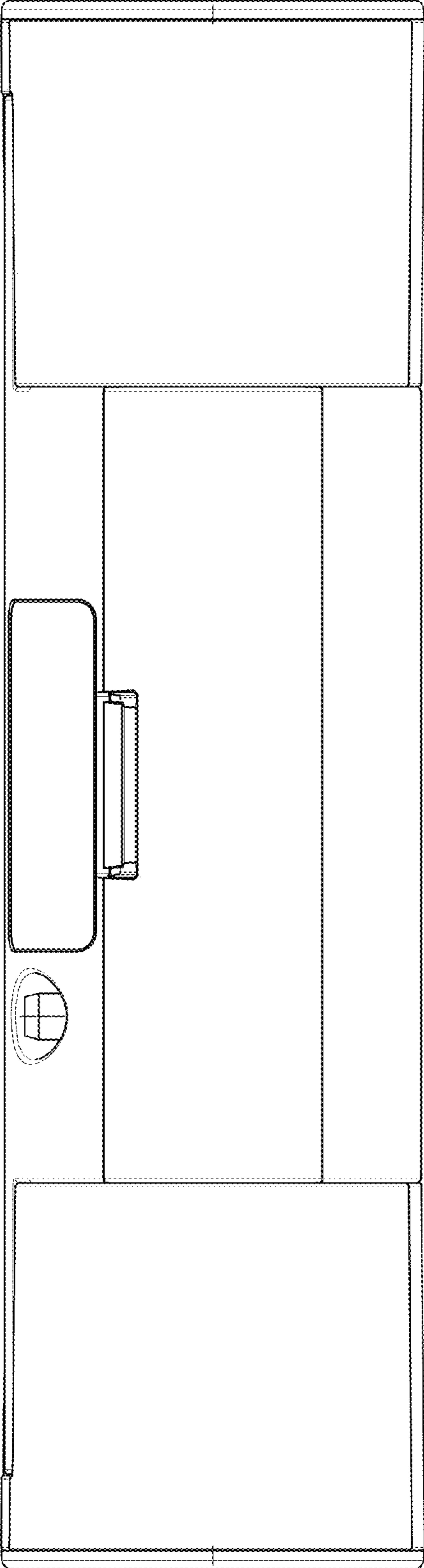


FIG. 4

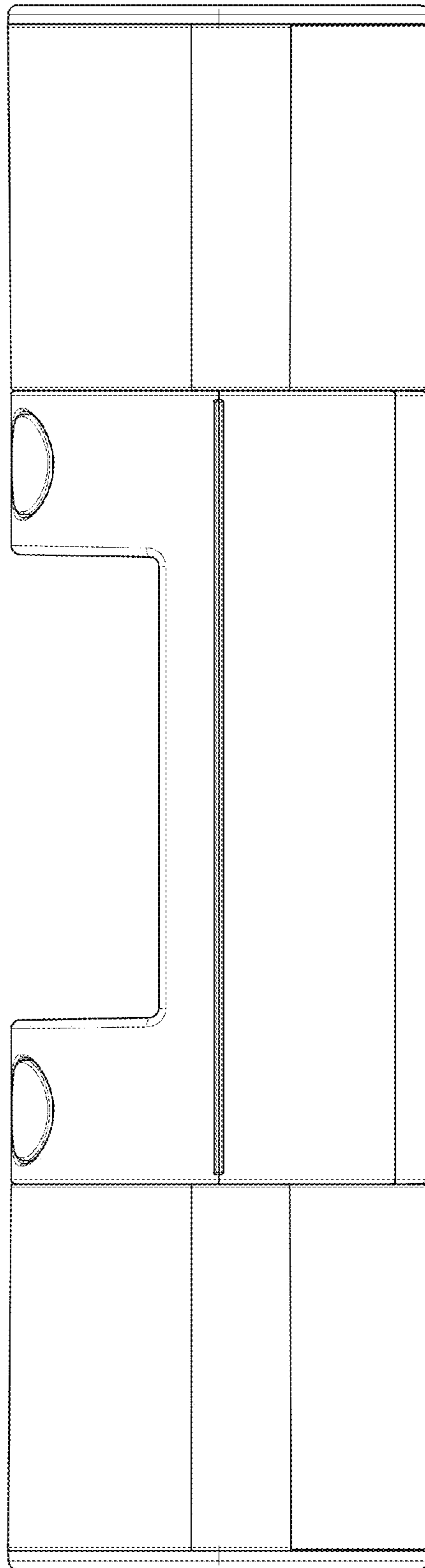


FIG. 5

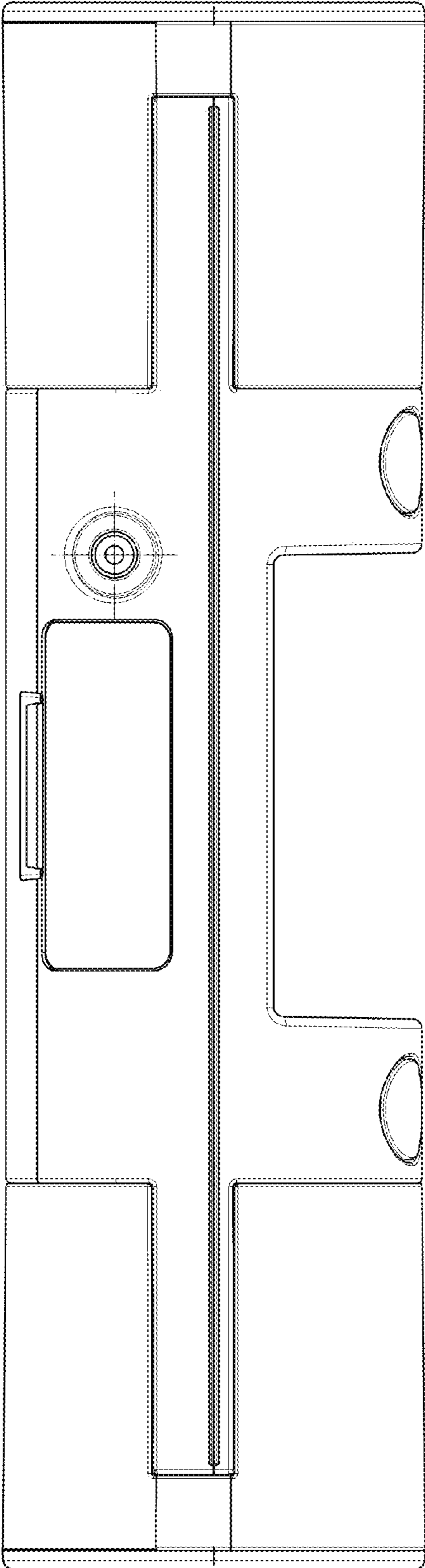


FIG. 6

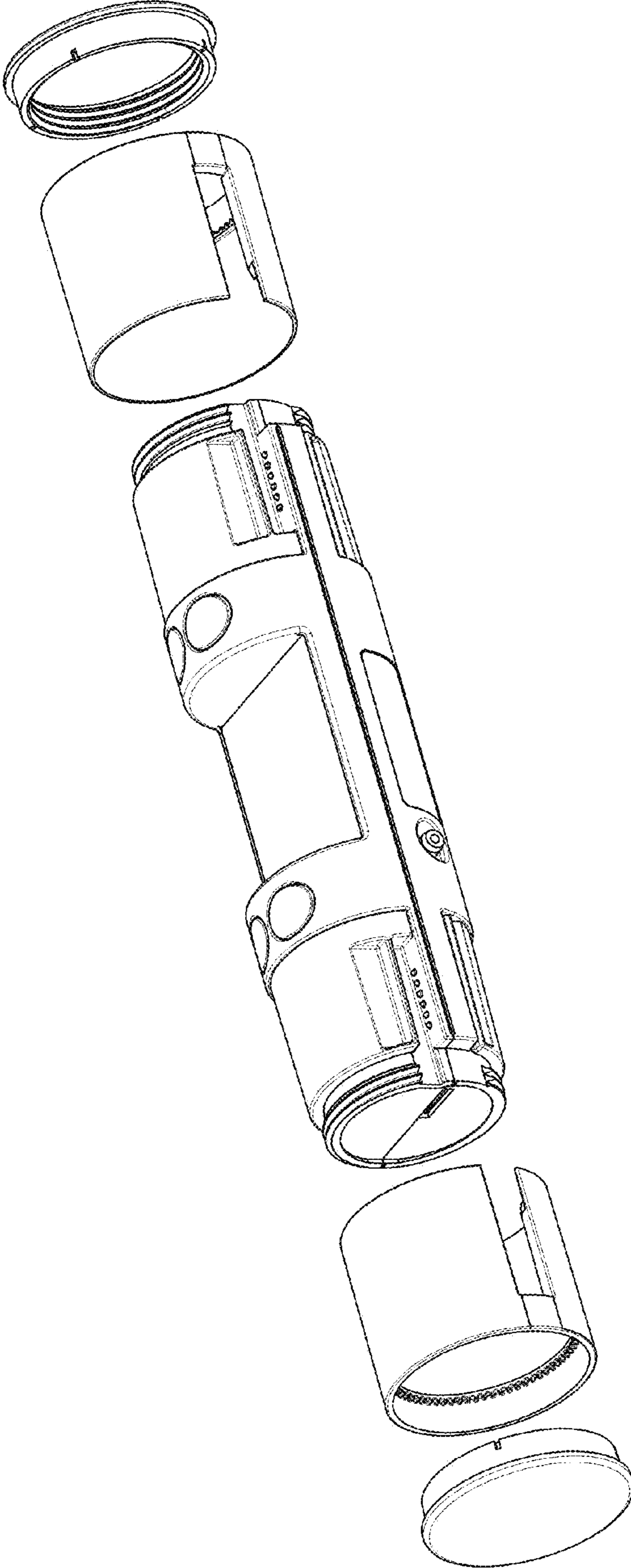


FIG. 7