



US00D760901S

(12) **United States Design Patent**
Barak et al.

(10) **Patent No.:** **US D760,901 S**
(45) **Date of Patent:** **** Jul. 5, 2016**

- (54) **INTRAORAL SCANNER WAND**
- (71) Applicant: **Cadent Ltd.**, Or Yehuda (IL)
- (72) Inventors: **Amit Barak**, Tel Aviv (IL); **Arye Krasavets**, Jerusalem (IL); **Rami Boltanski**, Kiryat Ono (IL); **Nir Makmel**, Tel Aviv (IL); **Erez Lampert**, Rehovot (IL); **Mike Sabina**, Campbell, CA (US)
- (73) Assignee: **Align Technology, Inc.**, San Jose, CA (US)
- (**) Term: **14 Years**
- (21) Appl. No.: **29/519,733**
- (22) Filed: **Mar. 6, 2015**

D487,805 S	3/2004	Kondo	
6,761,561 B2	7/2004	Mandelkern et al.	
D532,906 S	11/2006	Kim et al.	
D558,345 S	12/2007	Witt	
D562,456 S	2/2008	Scruggs et al.	
D585,554 S	1/2009	Suzuki	
D629,524 S	12/2010	Zeller et al.	
D630,747 S *	1/2011	Shinohara	D24/152
D648,855 S	11/2011	Smith et al.	
D657,470 S	4/2012	Schon et al.	
D658,295 S	4/2012	Geijsen et al.	
8,167,805 B2	5/2012	Emery et al.	
D697,622 S	1/2014	Chung et al.	
D711,951 S *	8/2014	Mazuir	D16/218
2013/0034825 A1	2/2013	Phillips et al.	
2013/0183633 A1	7/2013	Dillon et al.	
2013/0203010 A1	8/2013	Inglese et al.	
2014/0302452 A1 *	10/2014	Hack	A61B 5/0088 433/29

* cited by examiner

Primary Examiner — Anhdao Doan

(74) *Attorney, Agent, or Firm* — Lowenstein Sandler LLP

- Related U.S. Application Data**
- (63) Continuation-in-part of application No. 29/502,675, filed on Sep. 18, 2014, now Pat. No. Des. 742,518.
- (51) **LOC (10) Cl.** **24-01**
- (52) **U.S. Cl.**
USPC **D24/158**
- (58) **Field of Classification Search**
USPC D24/185, 186, 187, 107, 108, 158–161, D24/152, 176, 177
CPC A61B 2019/0248; A61B 2019/025; A61B 8/42; A61B 42/025; A61B 42/042
See application file for complete search history.

(57) **CLAIM**

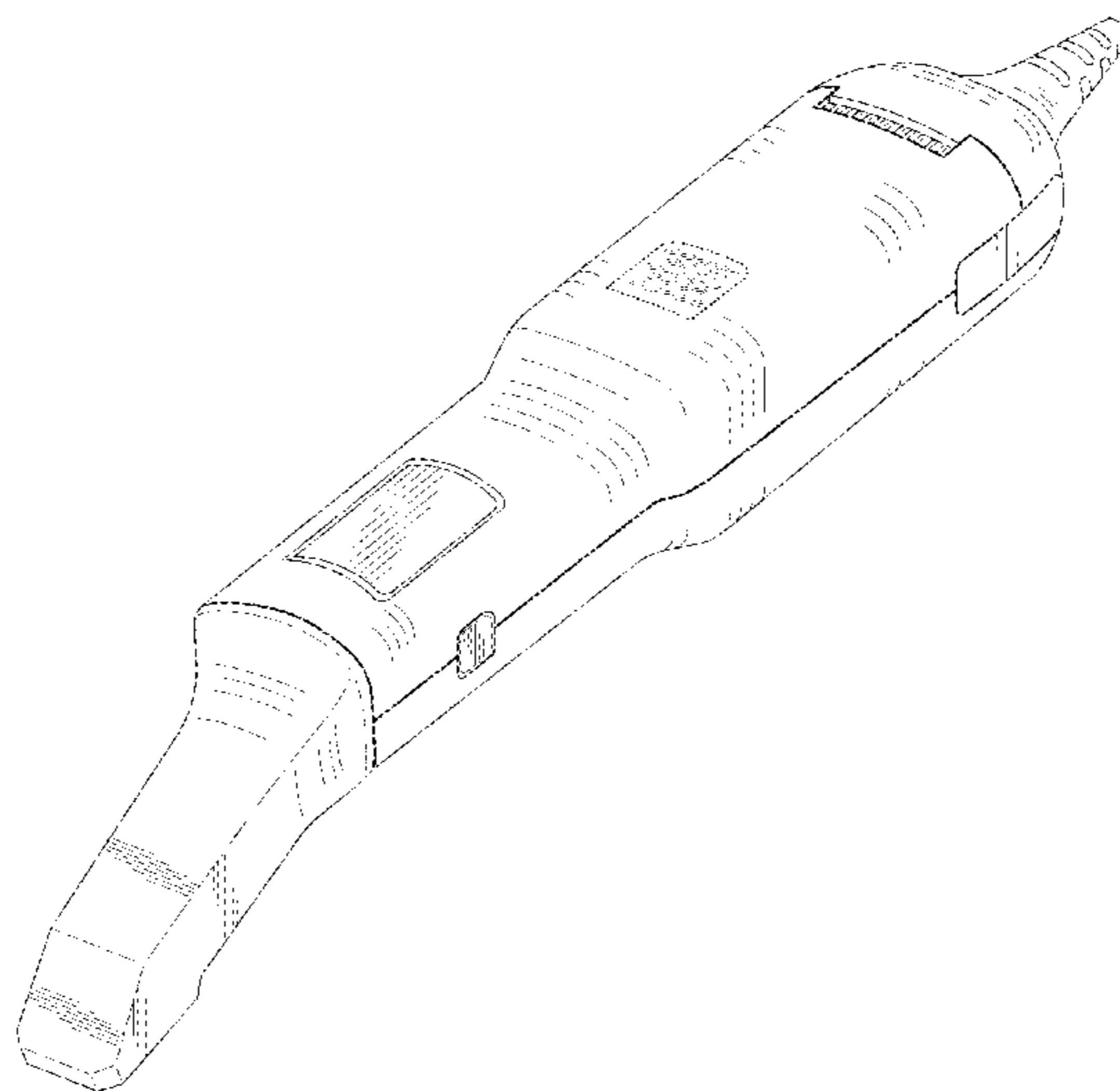
The ornamental design for an intraoral scanner wand, as shown and described.

DESCRIPTION

FIG. 1 is a perspective view of an intraoral scanner wand showing one embodiment of our new design.
 FIG. 2 is a side view thereof.
 FIG. 3 is a side view thereof.
 FIG. 4 is a bottom view thereof.
 FIG. 5 is a top view thereof.
 FIG. 6 is a front view thereof; and,
 FIG. 7 is a rear view thereof.
 The broken lines in the drawing views are included for the purpose of illustrating portions of the intraoral scanner wand that form no part of the claimed design.

- (56) **References Cited**
U.S. PATENT DOCUMENTS
- D361,619 S 8/1995 Phleps et al.
- D414,867 S 10/1999 Moriwaki et al.
- 6,599,238 B2 7/2003 Ooshima et al.

1 Claim, 4 Drawing Sheets



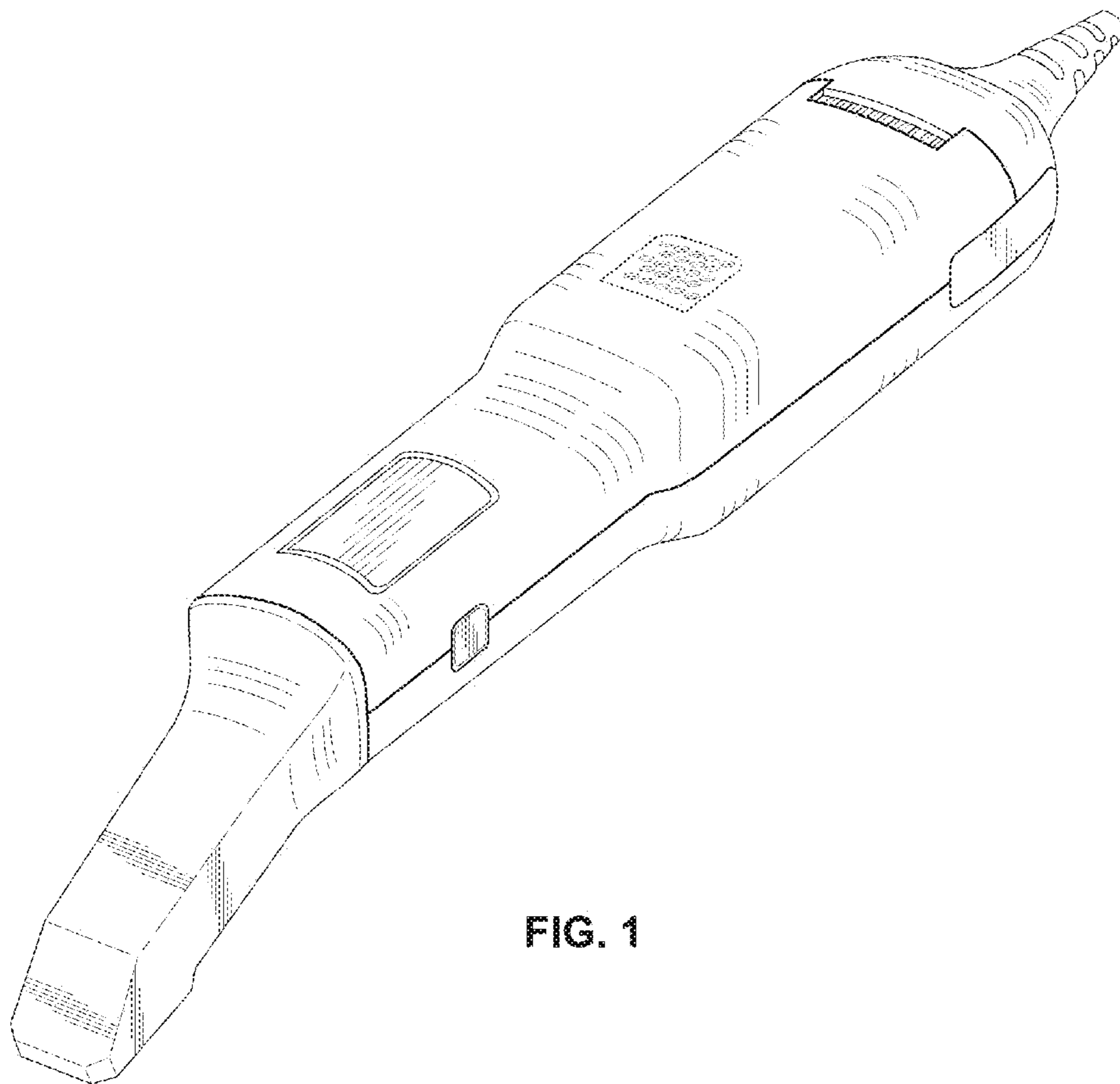


FIG. 1

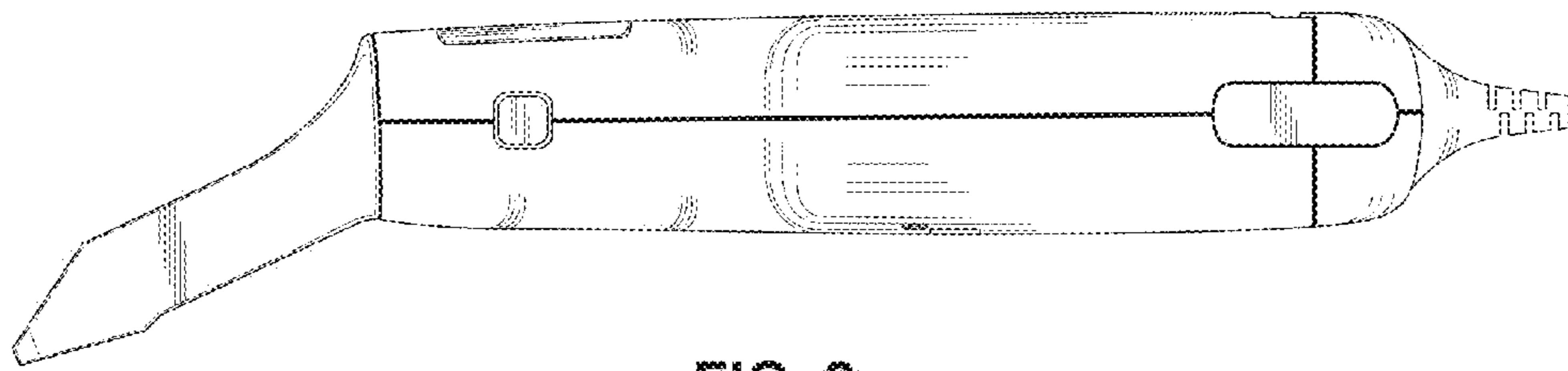


FIG. 2

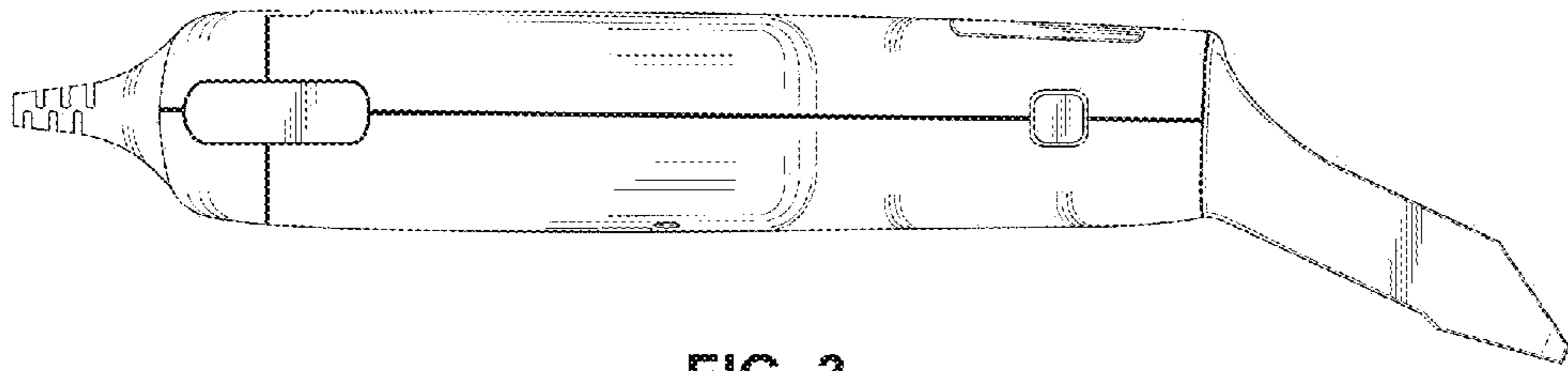


FIG. 3

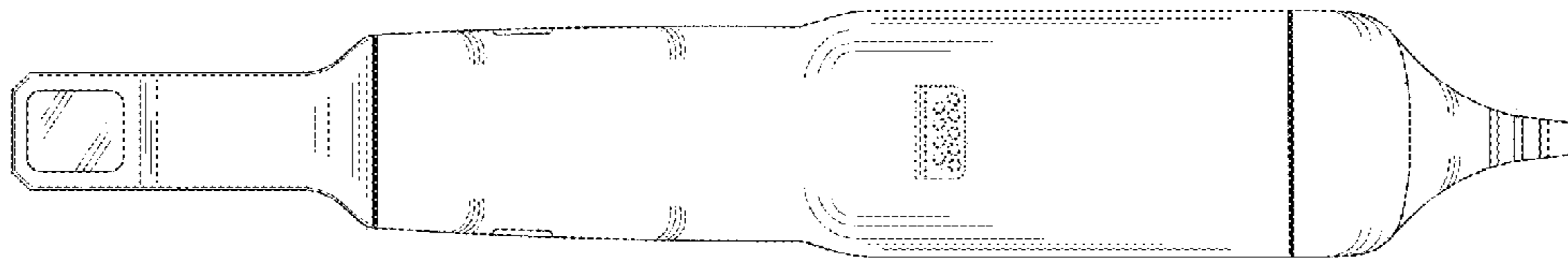


FIG. 4

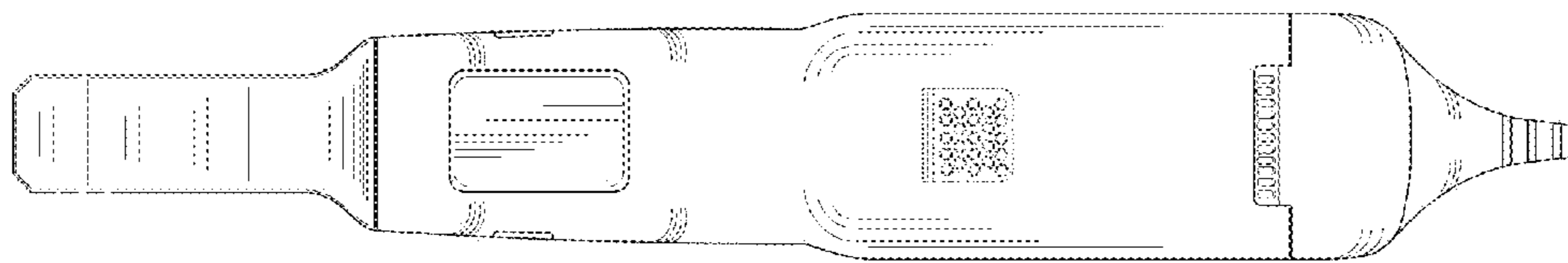


FIG. 5

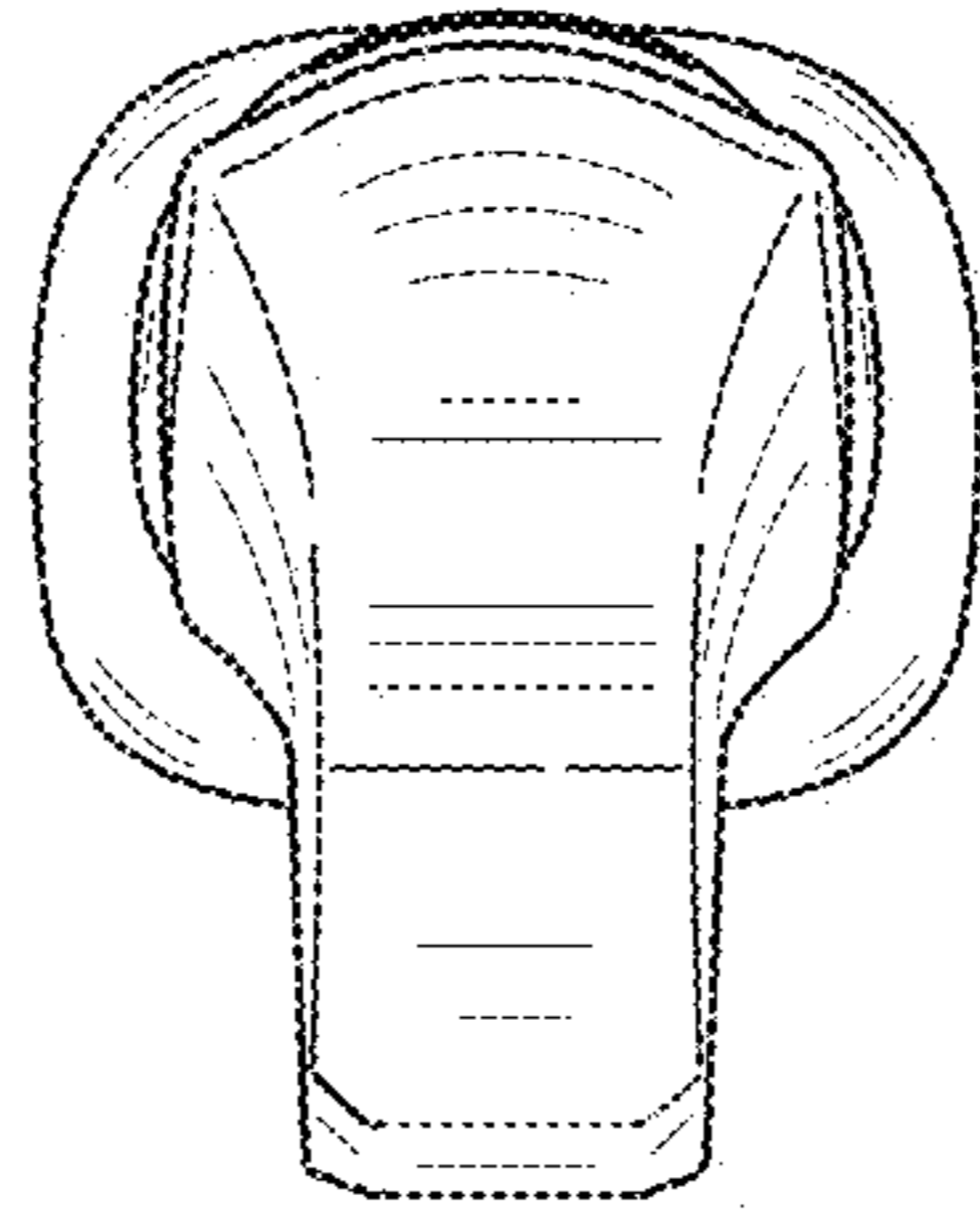


FIG. 6

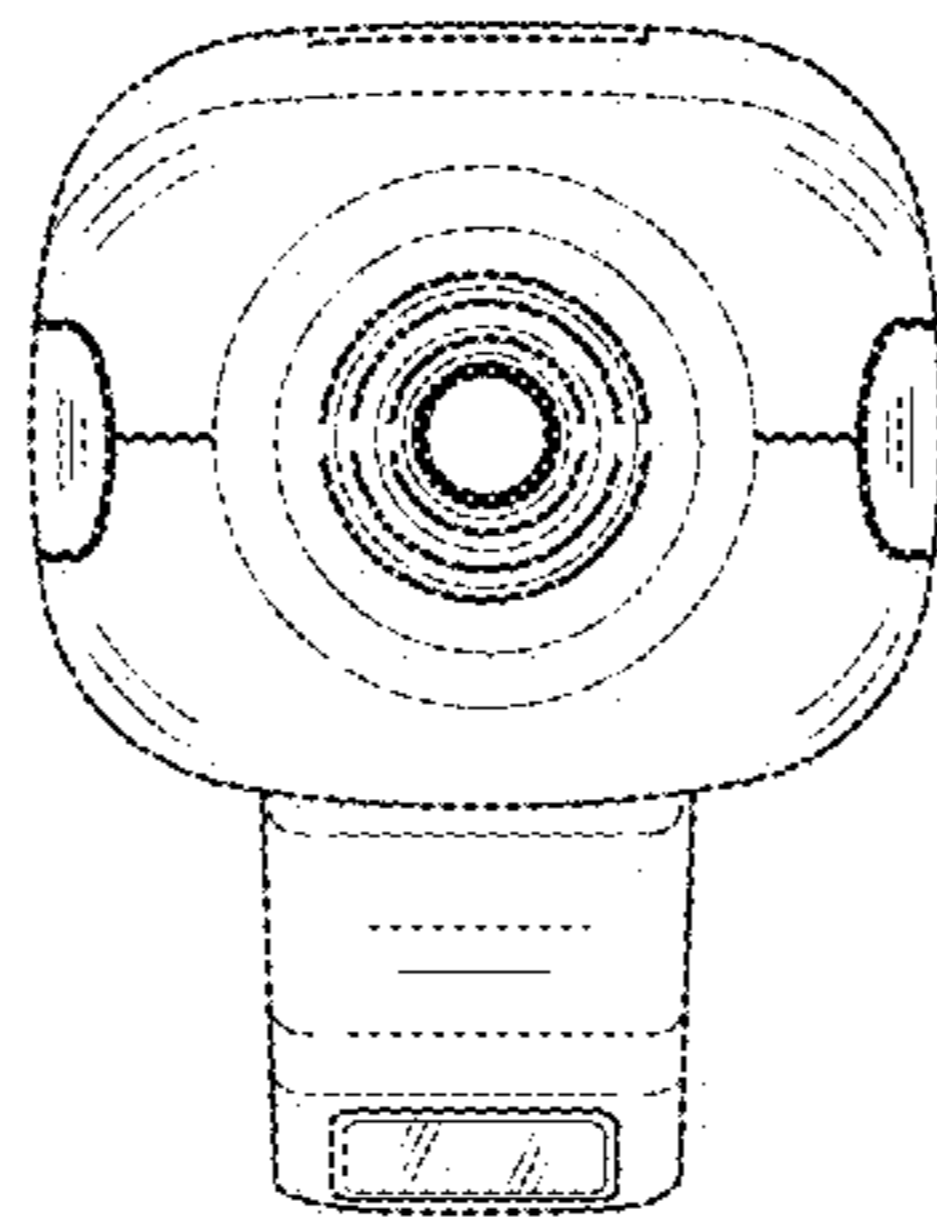


FIG. 7