

US00D760900S

(12) **United States Design Patent**  
**Humphrey**

(10) **Patent No.:** **US D760,900 S**

(45) **Date of Patent:** **\*\* \*Jul. 5, 2016**

(54) **KEELED GLENOID**  
(71) Applicant: **SHOULDER OPTIONS, INC.**, Boise, ID (US)  
(72) Inventor: **C Scott Humphrey**, Boise, ID (US)  
(73) Assignee: **Shoulder Options, Inc.**  
(\* ) Notice: This patent is subject to a terminal disclaimer.  
(\*\*) Term: **14 Years**

8,506,569	B2 *	8/2013	Keefter et al. ....	606/85
8,556,901	B2 *	10/2013	Anthony et al. ....	606/85
8,790,350	B2 *	7/2014	Deffenbaugh et al. ....	606/87
2002/0082702	A1	6/2002	Resch	
2004/0064189	A1 *	4/2004	Maroney et al. ....	623/19.13
2005/0261775	A1	11/2005	Baum	
2007/0219637	A1	9/2007	Berelsman	
2007/0244564	A1	10/2007	Ferrand	
2008/0109000	A1 *	5/2008	Maroney et al. ....	606/86
2009/0125113	A1 *	5/2009	Guederian et al. ....	623/19.11
2011/0125273	A1	5/2011	Ratron	
2011/0276144	A1	11/2011	Wirth	
2012/0296439	A1	11/2012	Slavitt	
2014/0128983	A1	5/2014	Flaherty	

(21) Appl. No.: **29/439,690**  
(22) Filed: **Dec. 13, 2012**  
(51) **LOC (10) Cl.** ..... **24-02**  
(52) **U.S. Cl.**  
USPC ..... **D24/155**  
(58) **Field of Classification Search**  
USPC ..... D24/155, 133; 623/17.11, 17.15, 17.16,  
623/17.12, 18.11-19.14; 606/90, 86 A  
See application file for complete search history.

**FOREIGN PATENT DOCUMENTS**

EP 1596774 B1 2/2012

\* cited by examiner

*Primary Examiner* — Ian Simmons  
*Assistant Examiner* — Charles Hanson

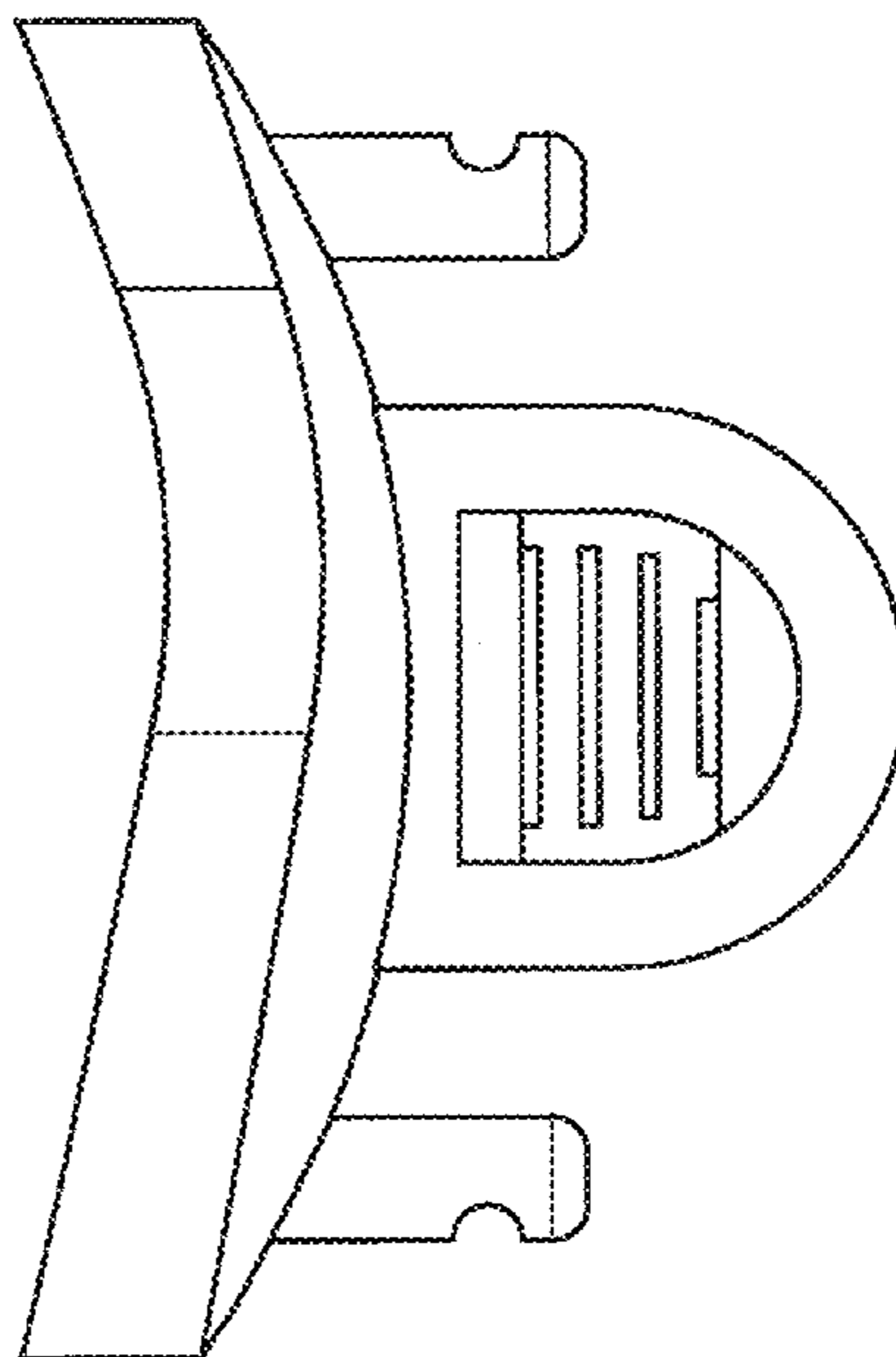
(56) **References Cited**  
**U.S. PATENT DOCUMENTS**  
3,891,998 A 7/1975 Lennox  
4,261,062 A 4/1981 Amstutz  
4,550,450 A \* 11/1985 Kinnett ..... 623/20.11  
D295,076 S \* 4/1988 Homsy et al. .... D24/155  
5,702,447 A \* 12/1997 Walch et al. .... 623/19.11  
5,723,018 A 3/1998 Cyprien  
6,379,386 B1 4/2002 Resch  
6,673,115 B2 1/2004 Resch  
7,329,284 B2 \* 2/2008 Maroney et al. .... 623/19.13  
8,048,161 B2 \* 11/2011 Guederian et al. .... 623/19.13  
8,465,548 B2 \* 6/2013 Long ..... 623/19.11

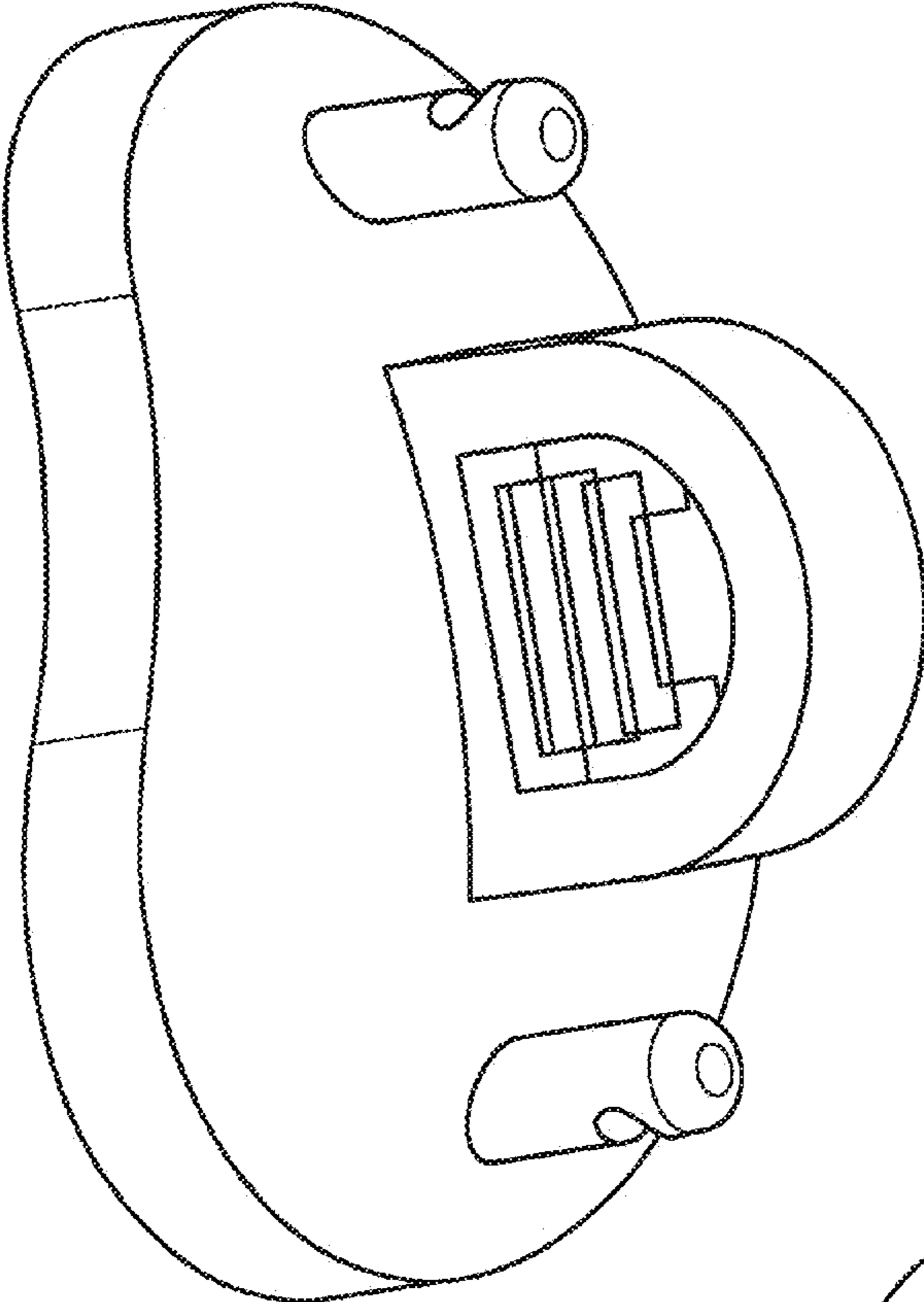
(57) **CLAIM**  
I claim the ornamental design for a keeled glenoid, as shown and described.

**DESCRIPTION**

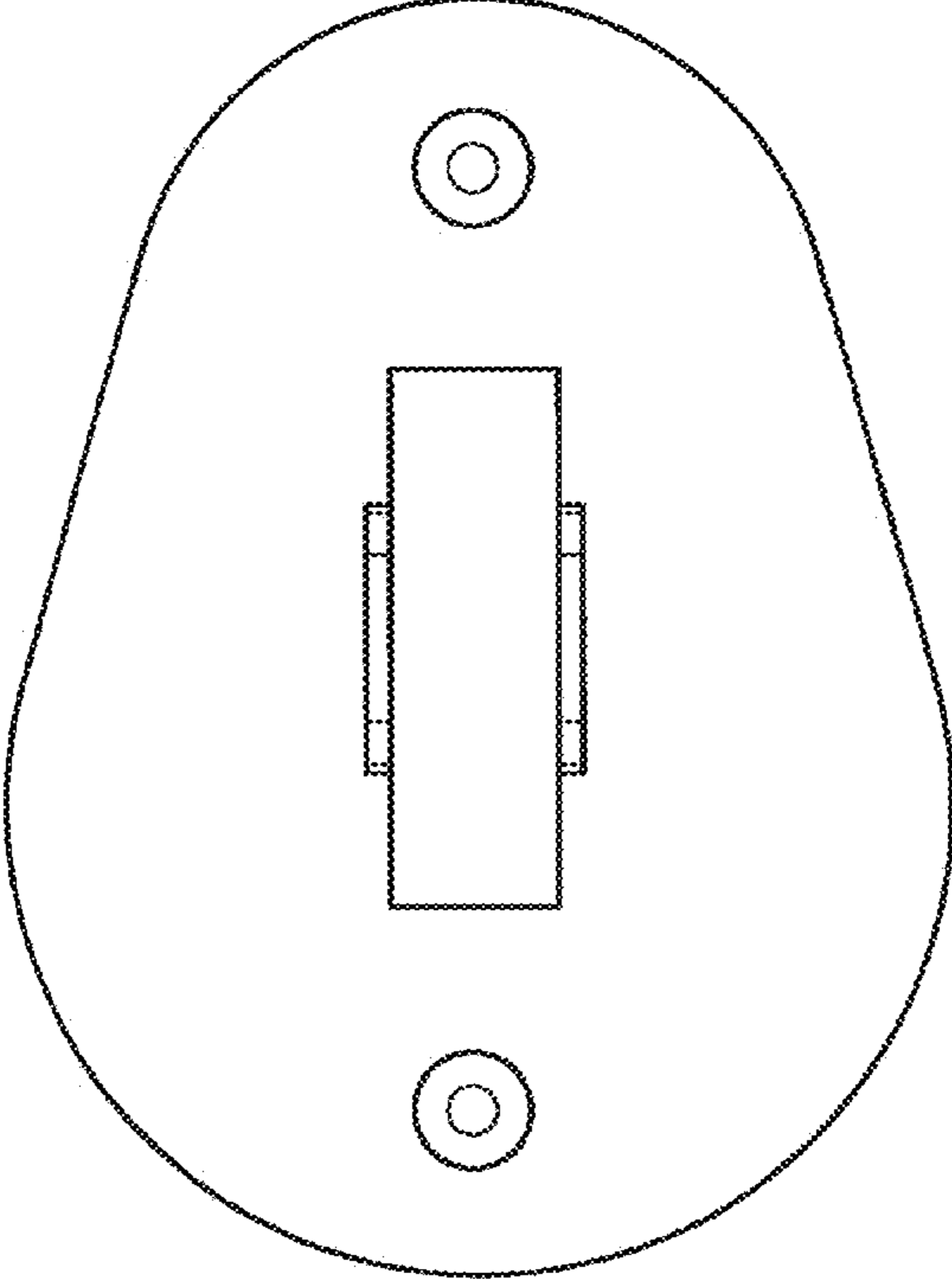
FIG. 1 is a perspective view of the keeled glenoid showing the new design;  
FIG. 2 is a top plan view of the keeled glenoid of FIG. 1;  
FIG. 3 is a side elevation view of the keeled glenoid of FIG. 1;  
FIG. 4 is a bottom plan view of the keeled glenoid of FIG. 1;  
FIG. 5 is a front elevation view of the keeled glenoid of FIG. 1; and,  
FIG. 6 is a back elevation view of the keeled glenoid of FIG. 1.

**1 Claim, 2 Drawing Sheets**





**FIG. 1**



**FIG. 2**

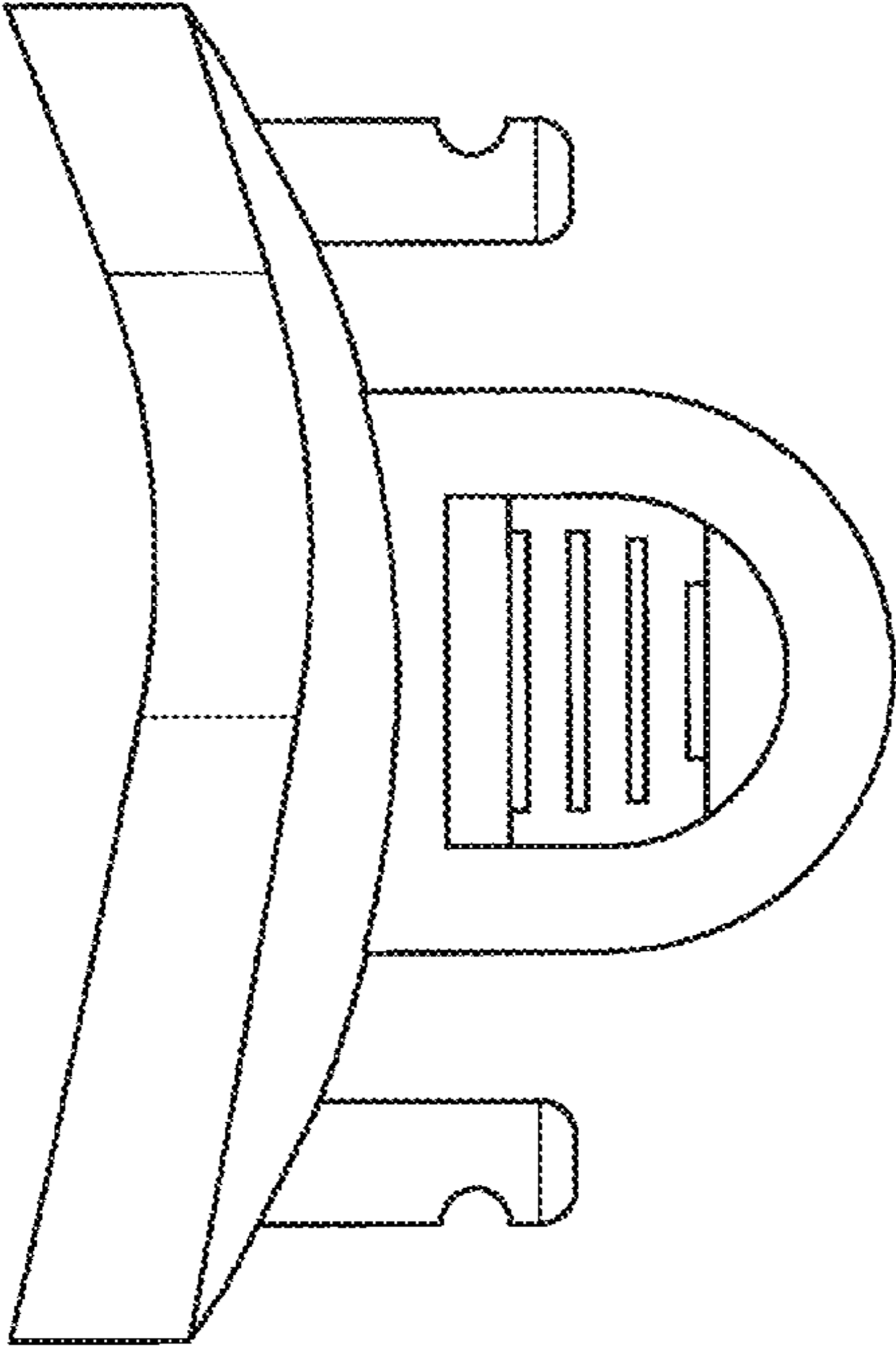


FIG. 3

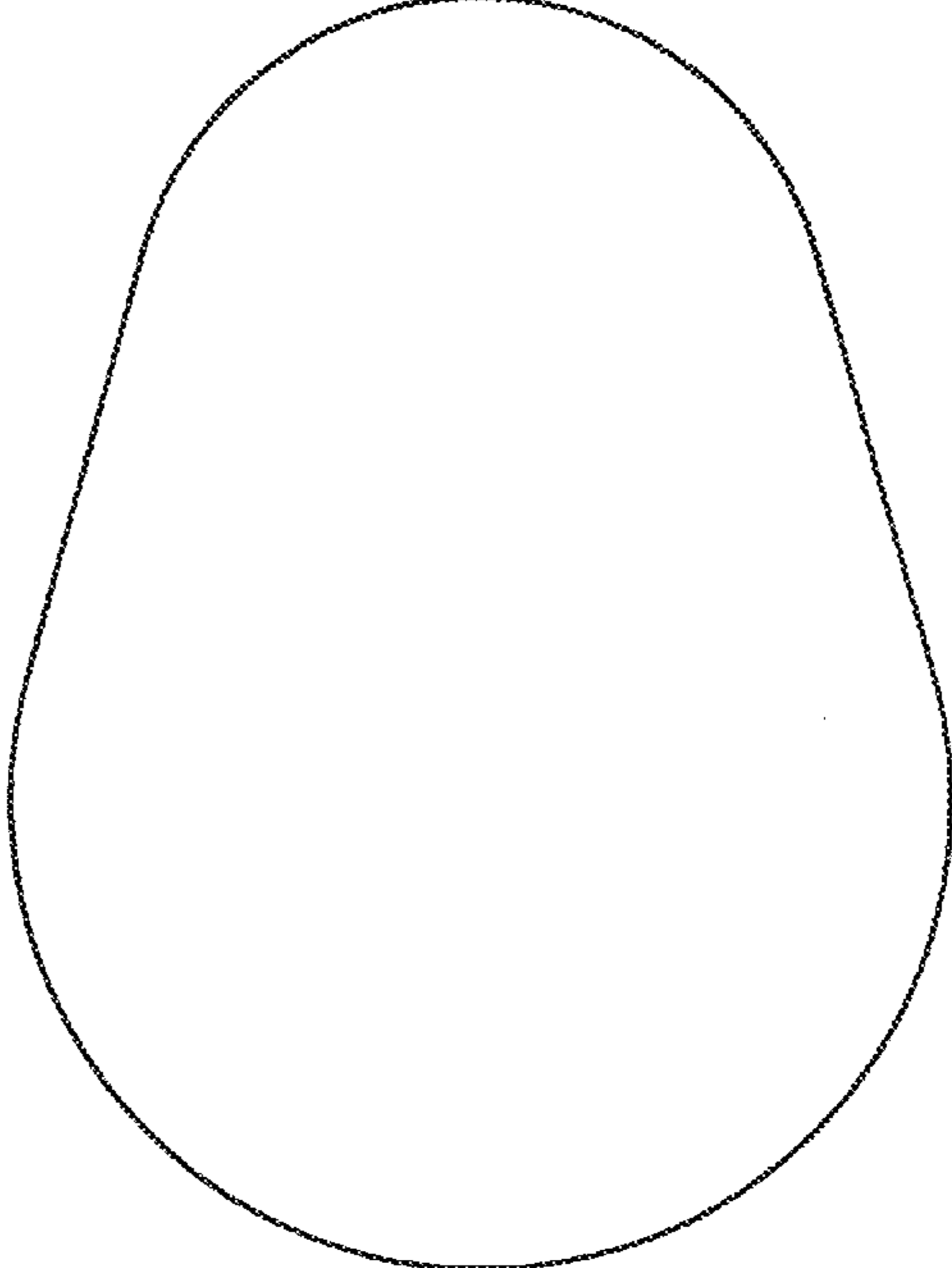


FIG. 4

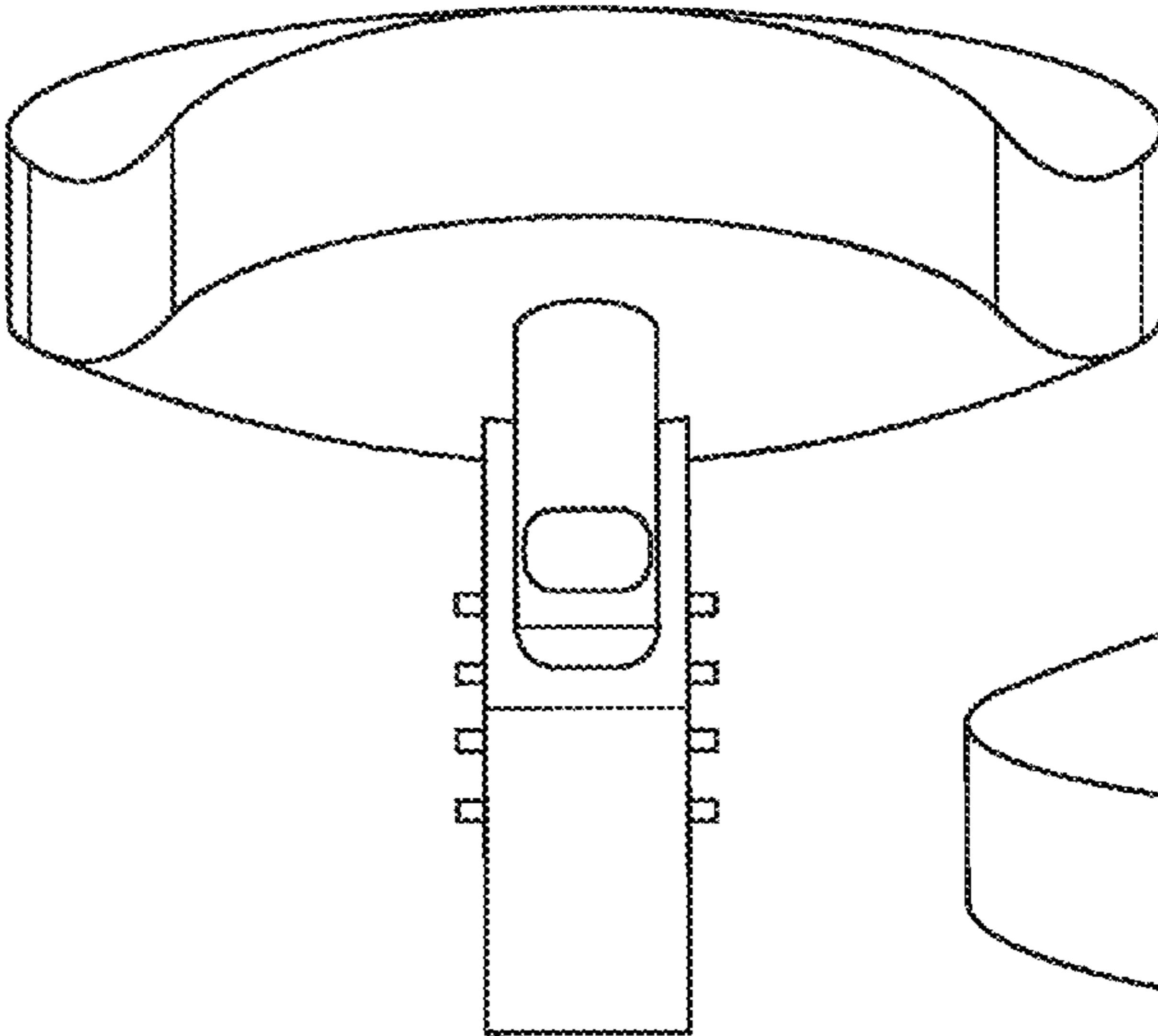


FIG. 5

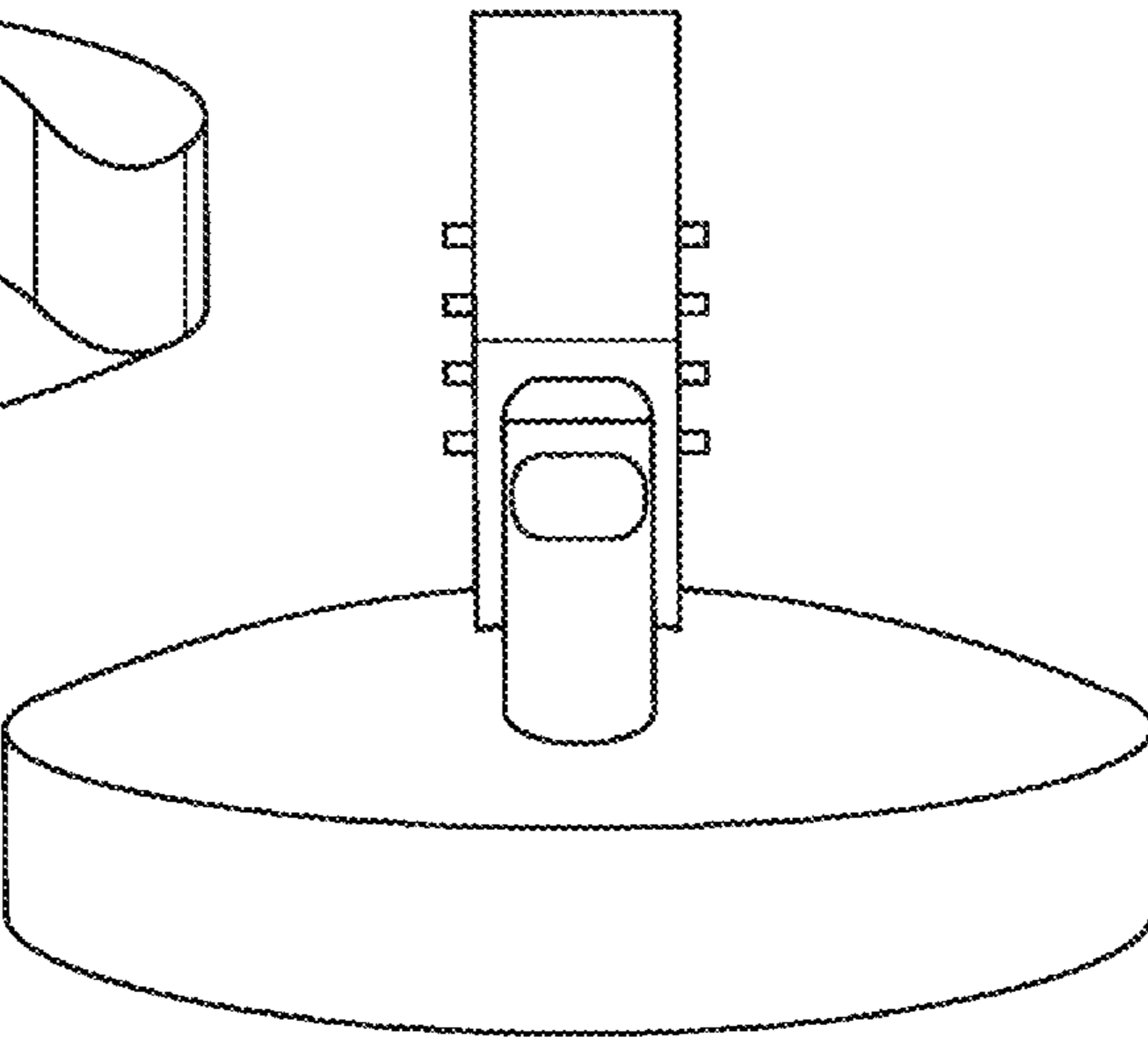


FIG. 6