



US00D760899S

(12) **United States Design Patent**
Leyendecker et al.

(10) **Patent No.:** **US D760,899 S**
(45) **Date of Patent:** **** Jul. 5, 2016**

(54) **FEMALE INTRAVAGINAL INCONTINENCE DEVICE**

(71) Applicants: **Kimberly S. Leyendecker**, Royal Plam Beach, FL (US); **Jennifer P. Benedict**, Lake Worth, FL (US)

(72) Inventors: **Kimberly S. Leyendecker**, Royal Plam Beach, FL (US); **Jennifer P. Benedict**, Lake Worth, FL (US)

(**) Term: **15 Years**

(21) Appl. No.: **29/534,291**

(22) Filed: **Jul. 28, 2015**

Related U.S. Application Data

(62) Division of application No. 29/467,681, filed on Sep. 21, 2013, now Pat. No. Des. 737,969.

(51) **LOC (10) Cl.** **24-02**

(52) **U.S. Cl.**
USPC **D24/141**

(58) **Field of Classification Search**
USPC D24/141, 140, 147, 121, 122; 128/884, 128/885, DIG. 25, 830, 841; 600/29, 31, 32; 604/11-18, 279, 385
CPC A61B 2017/00805; A61B 17/42; A61B 2017/042; A61B 5/202; A61B 5/04882; A61B 2018/00523

See application file for complete search history.

(56) **References Cited**

U.S. PATENT DOCUMENTS

D272,945 S * 3/1984 Suhel D24/214
4,574,791 A * 3/1986 Mitchener A63B 23/20
482/122

5,213,557 A * 5/1993 Firth A63B 23/20
482/105
6,068,581 A * 5/2000 Anderson A63B 23/20
482/105
D458,681 S * 6/2002 Sherlock D24/133
D737,969 S * 9/2015 Leyendecker D24/141
D741,479 S * 10/2015 Agrawal D24/141
2008/0195028 A1 * 8/2008 Hasse A61F 13/2051
604/11
2009/0247930 A1 * 10/2009 Fung A61F 13/26
604/16

* cited by examiner

Primary Examiner — Wan Laymon

Assistant Examiner — Mark Booker

(74) *Attorney, Agent, or Firm* — Nancy J. Flint, Esq.; Nancy J. Flint, Attorney At Law, P.A.

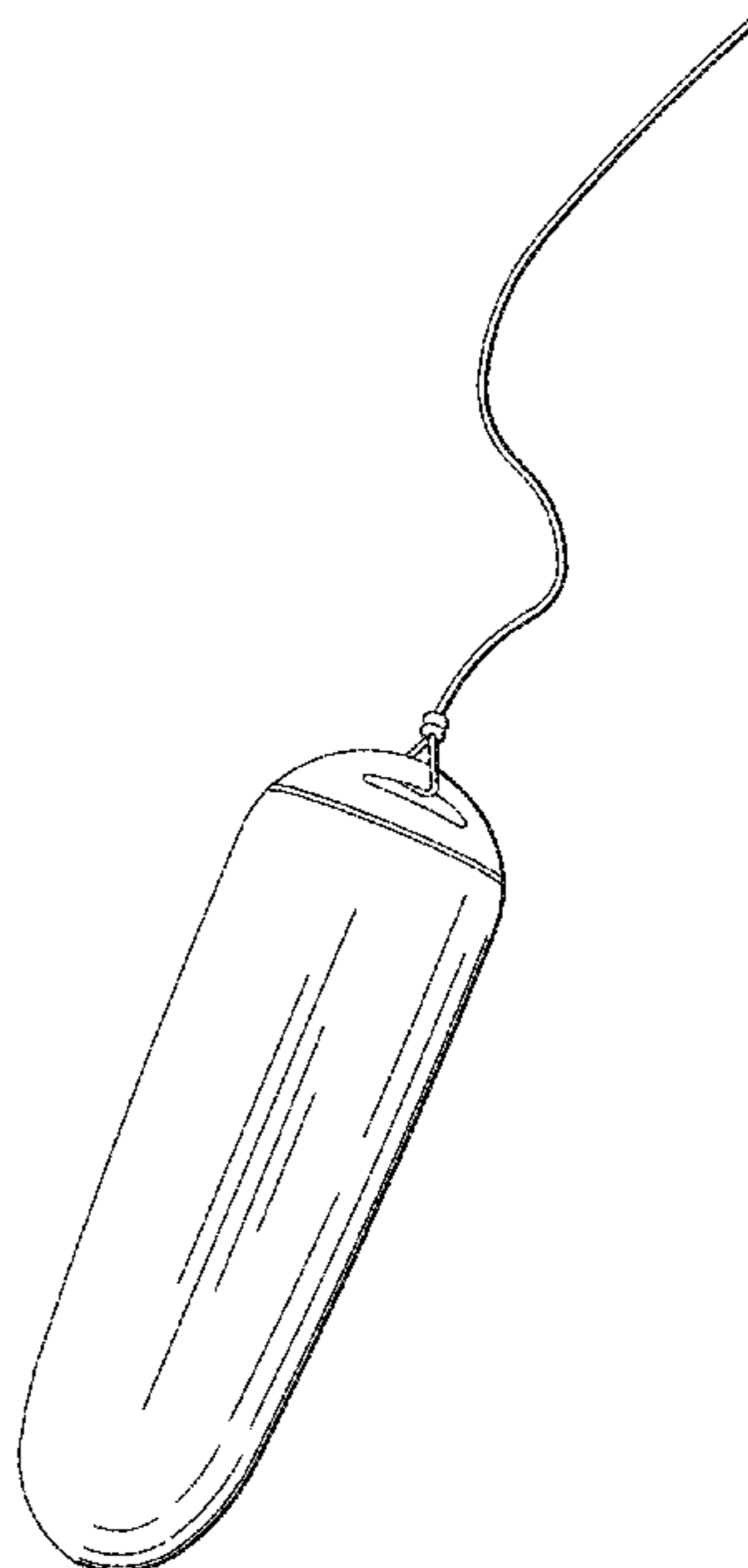
(57) **CLAIM**

The ornamental design for a female intravaginal incontinence device, as shown and described.

DESCRIPTION

FIG. 1 is a front perspective view of a female intravaginal incontinence device showing our new design;
FIG. 2 is a front view of the female intravaginal incontinence device;
FIG. 3 is a right side view of the female intravaginal incontinence device;
FIG. 4 is a bottom view of the female intravaginal incontinence device; and,
FIG. 5 is a top view of the female intravaginal incontinence device.
Left side view not shown is a mirror image of a right side view.
Rear view not shown is a mirror image of a front view.

1 Claim, 2 Drawing Sheets



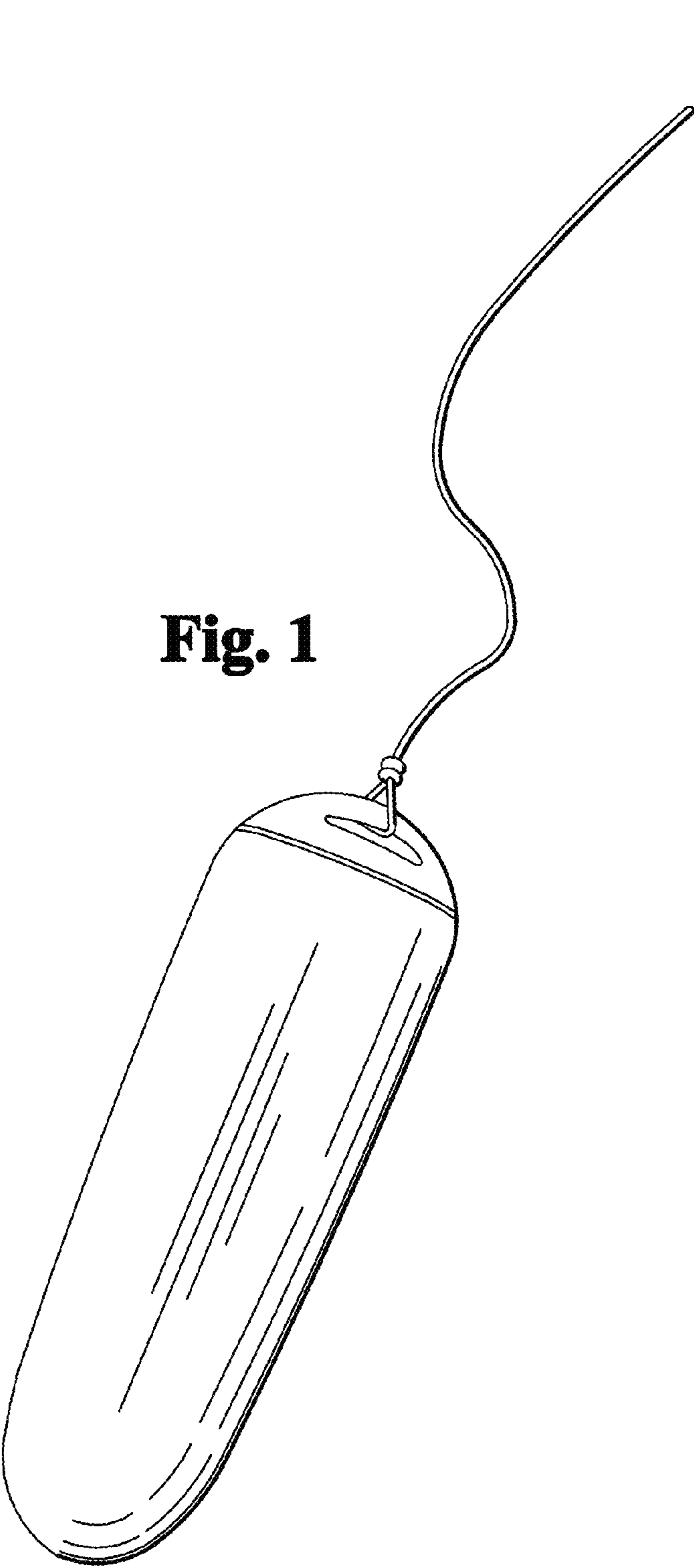


Fig. 1

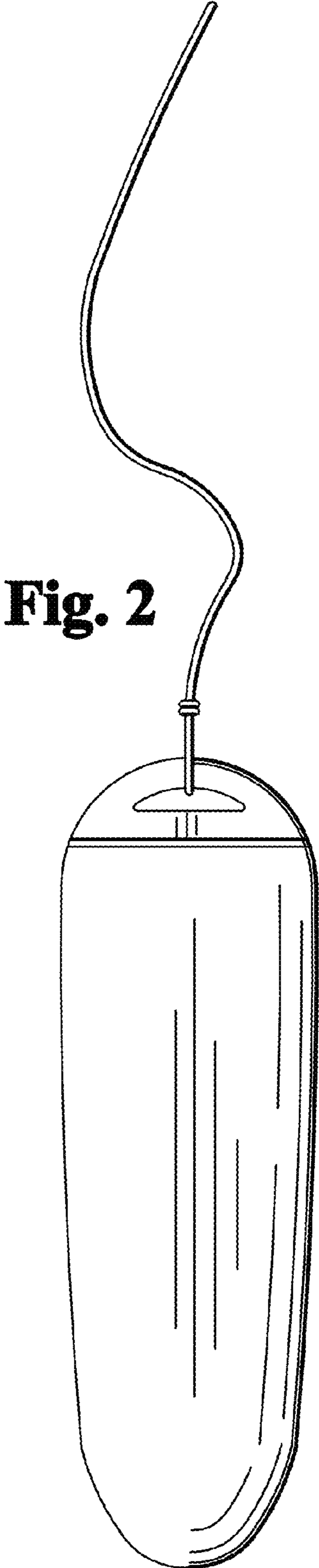


Fig. 2

Fig. 3

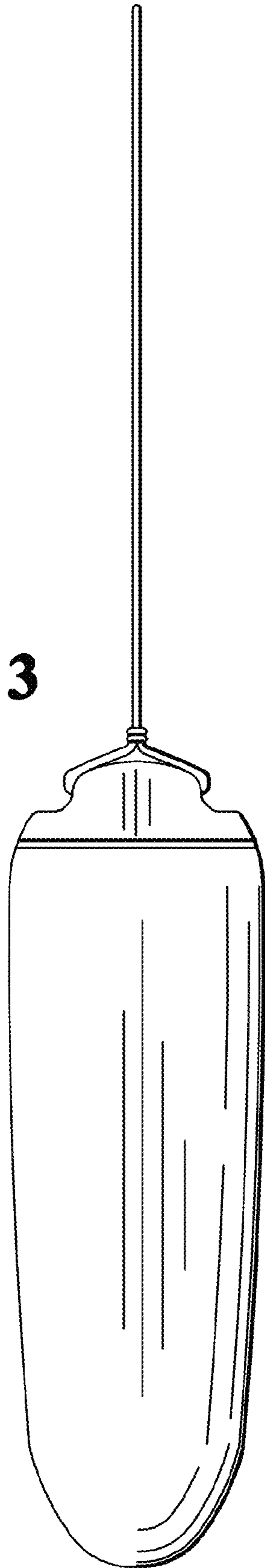


Fig. 4

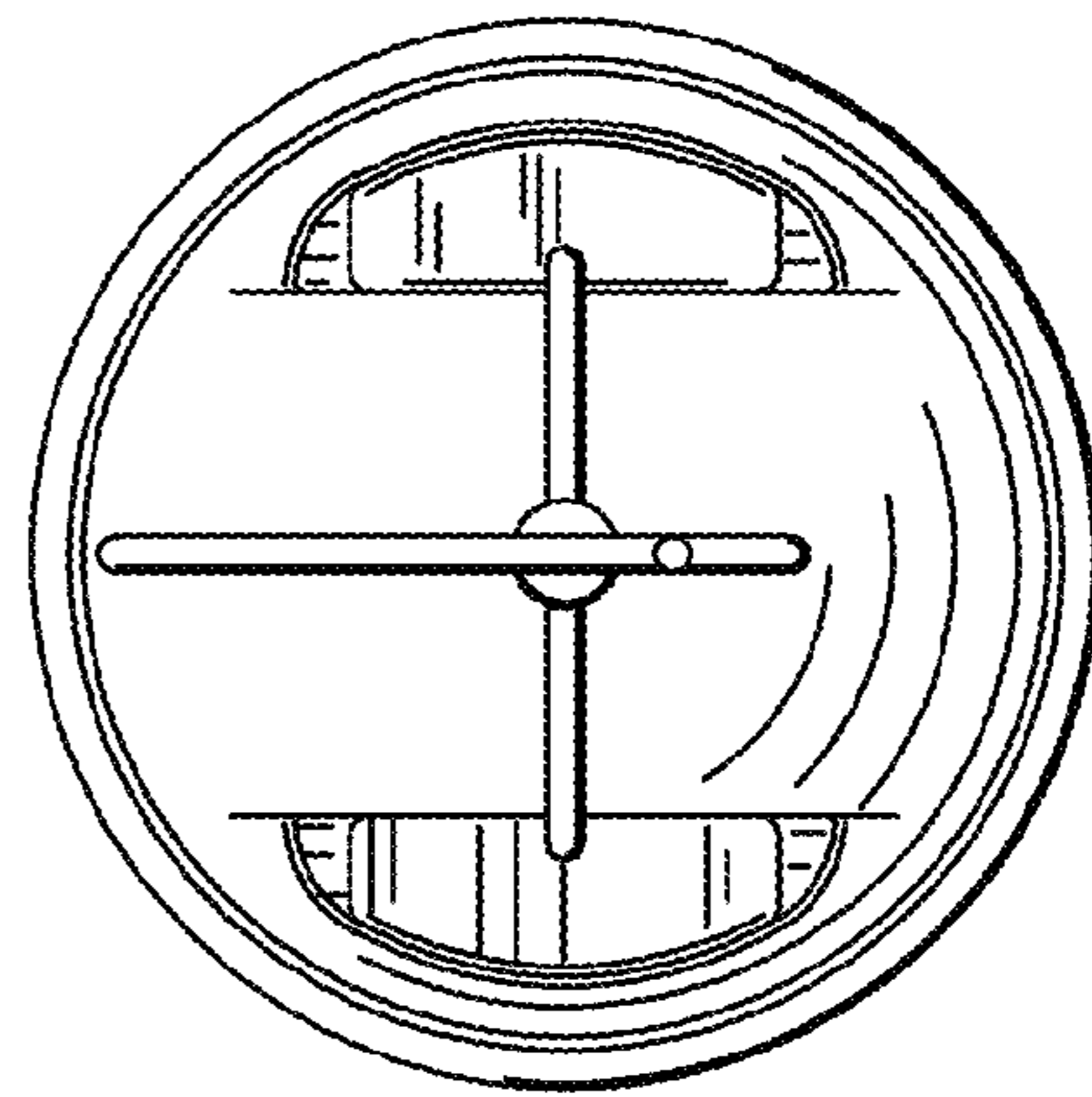


Fig. 5

