



(12) **United States Design Patent**  
**Teo**

(10) **Patent No.:** **US D760,897 S**  
(45) **Date of Patent:** **\*\* Jul. 5, 2016**

- (54) **MENSTRUAL CUP**
- (71) Applicant: **Ai Chen Teo**, San Ramon, CA (US)
- (72) Inventor: **Ai Chen Teo**, San Ramon, CA (US)
- (\*\*) Term: **14 Years**
- (21) Appl. No.: **29/503,441**
- (22) Filed: **Sep. 25, 2014**
- (51) **LOC (10) Cl.** ..... **24-02**
- (52) **U.S. Cl.**  
USPC ..... **D24/141**
- (58) **Field of Classification Search**  
USPC ..... D24/141, 12, 121, 125; 604/330  
CPC ..... A61F 6/08; A61F 5/4553; A61F 6/12;  
A61F 13/26; A61F 13/266  
See application file for complete search history.

D609,340	S	*	2/2010	Eder et al.	.....	D24/140
7,726,316	B1	*	6/2010	Pope	.....	128/830
D628,694	S	*	12/2010	Donnez	.....	D24/141
D694,402	S	*	11/2013	Lensch	.....	D24/120
2008/0077097	A1	*	3/2008	Chambers et al.	.....	604/330
2010/0312204	A1	*	12/2010	Sheu	.....	604/330
2013/0110060	A1	*	5/2013	Shihata	.....	604/330
2015/0164680	A1	*	6/2015	Chen	.....	604/330

**FOREIGN PATENT DOCUMENTS**

CN 201430297352 \* 1/2015

\* cited by examiner

*Primary Examiner* — Wan Laymon

*Assistant Examiner* — Mark Booker

(74) *Attorney, Agent, or Firm* — Dahyee Law Group; Leon E. Jew

(57) **CLAIM**

The ornamental design for a menstrual cup, as shown and described.

**DESCRIPTION**

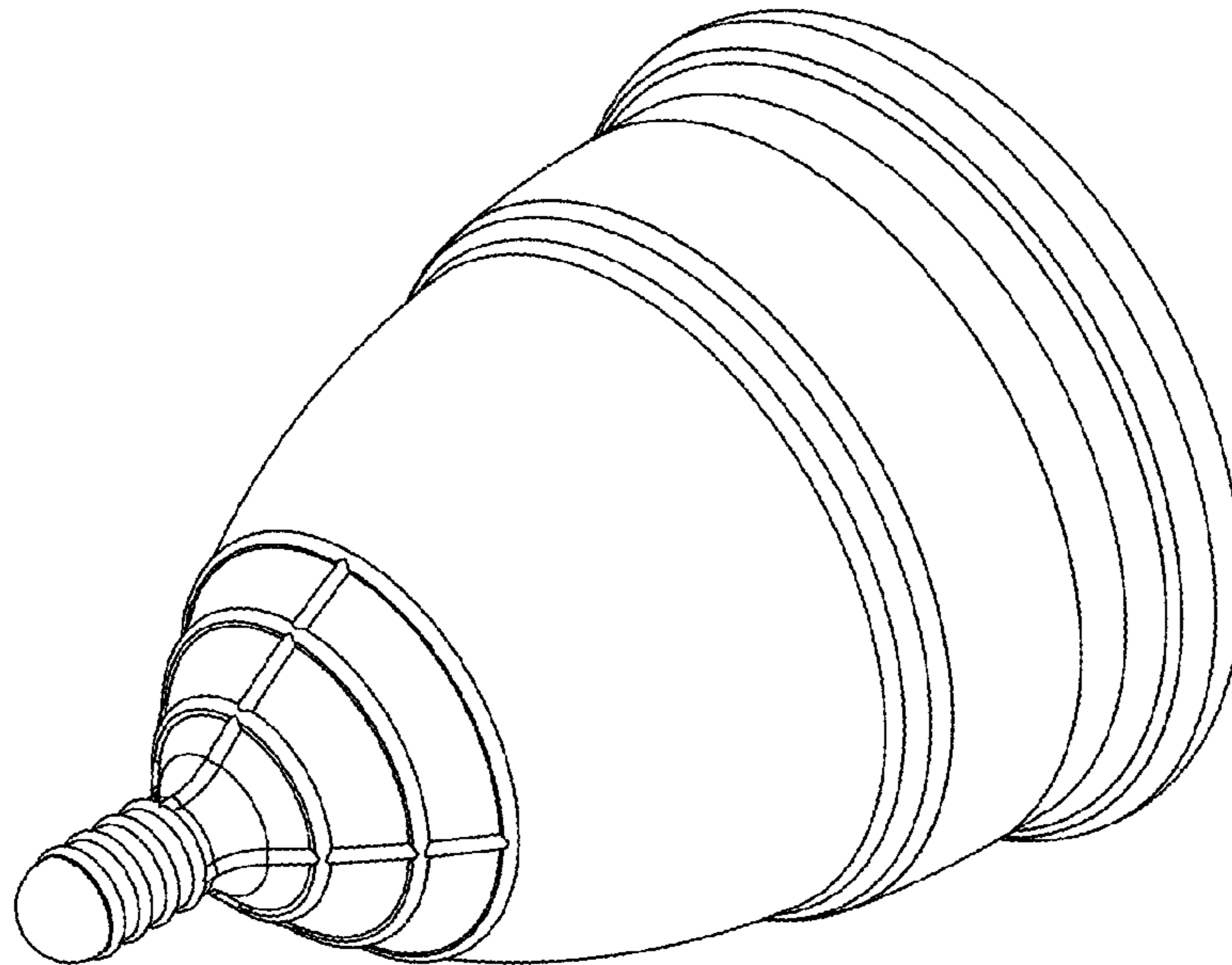
FIG. 1 is a perspective view of a menstrual cup shown as a new design;  
FIG. 2 is a front view thereof;  
FIG. 3 is a side view thereof;  
FIG. 4 is a top view thereof; and,  
FIG. 5 is a bottom view thereof.

**1 Claim, 3 Drawing Sheets**

(56) **References Cited**

**U.S. PATENT DOCUMENTS**

1,996,242	A	*	4/1935	Hagedorn	.....	604/330
2,089,113	A	*	8/1937	Chalmers	.....	604/330
2,534,900	A	*	12/1950	Chalmers	.....	604/330
3,404,682	A	*	10/1968	Waldron	.....	604/330
3,626,942	A	*	12/1971	Waldron	.....	604/330
3,845,766	A	*	11/1974	Zoller	.....	604/330
D323,212	S	*	1/1992	Crawford	.....	D24/141
5,827,248	A	*	10/1998	Crawford	.....	604/328
6,332,878	B1	*	12/2001	Wray et al.	.....	604/328



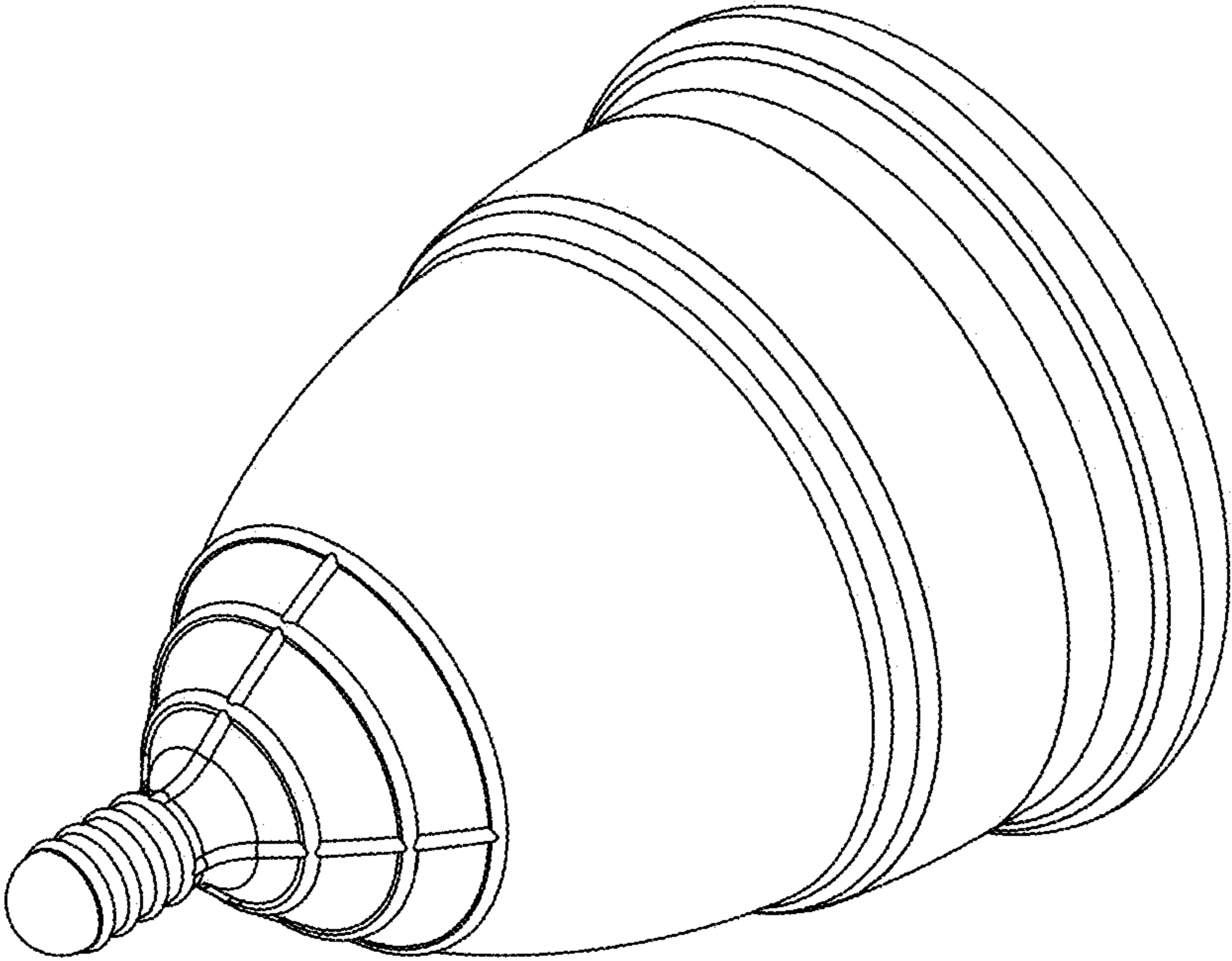


Fig. 1

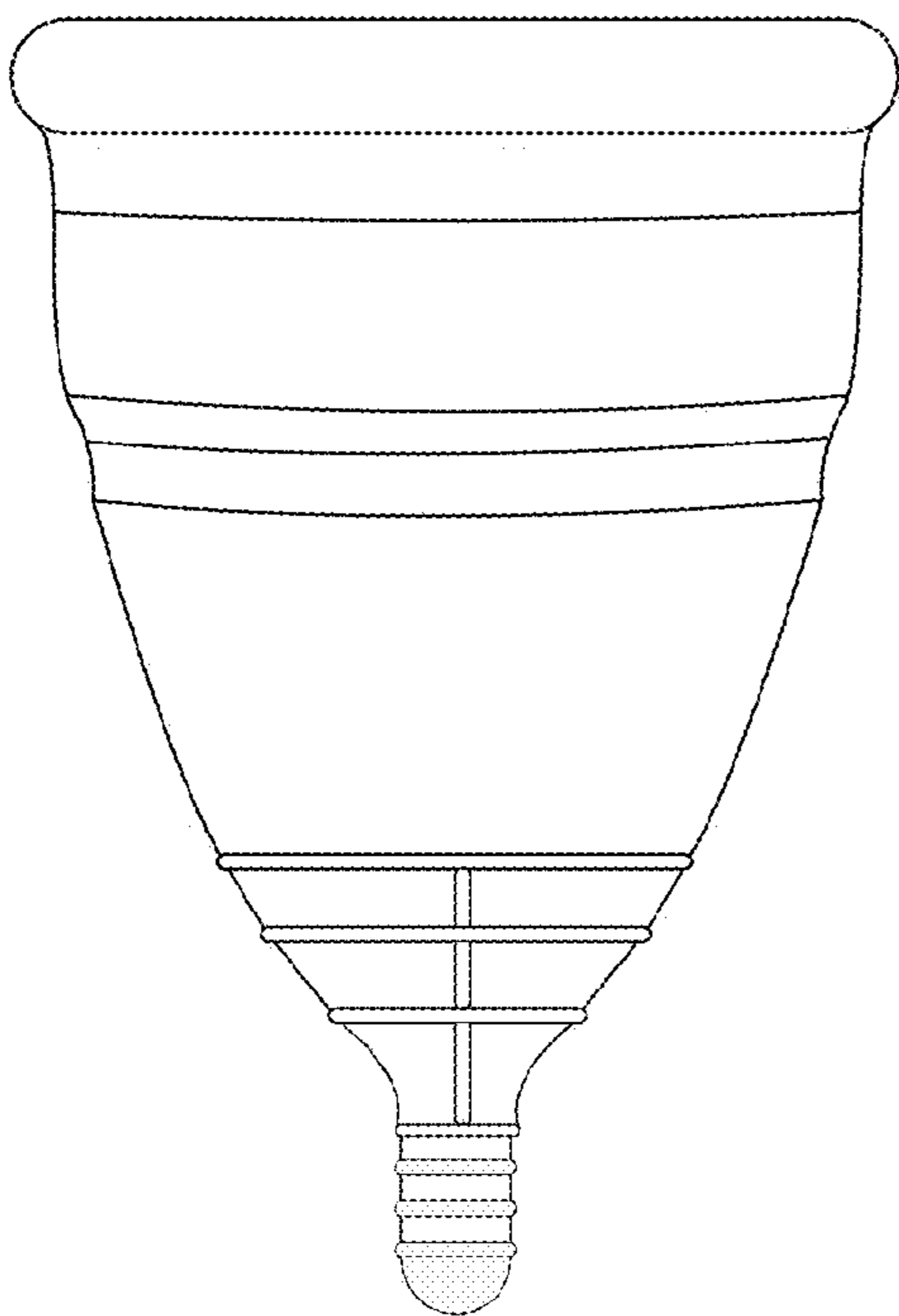


Fig. 2

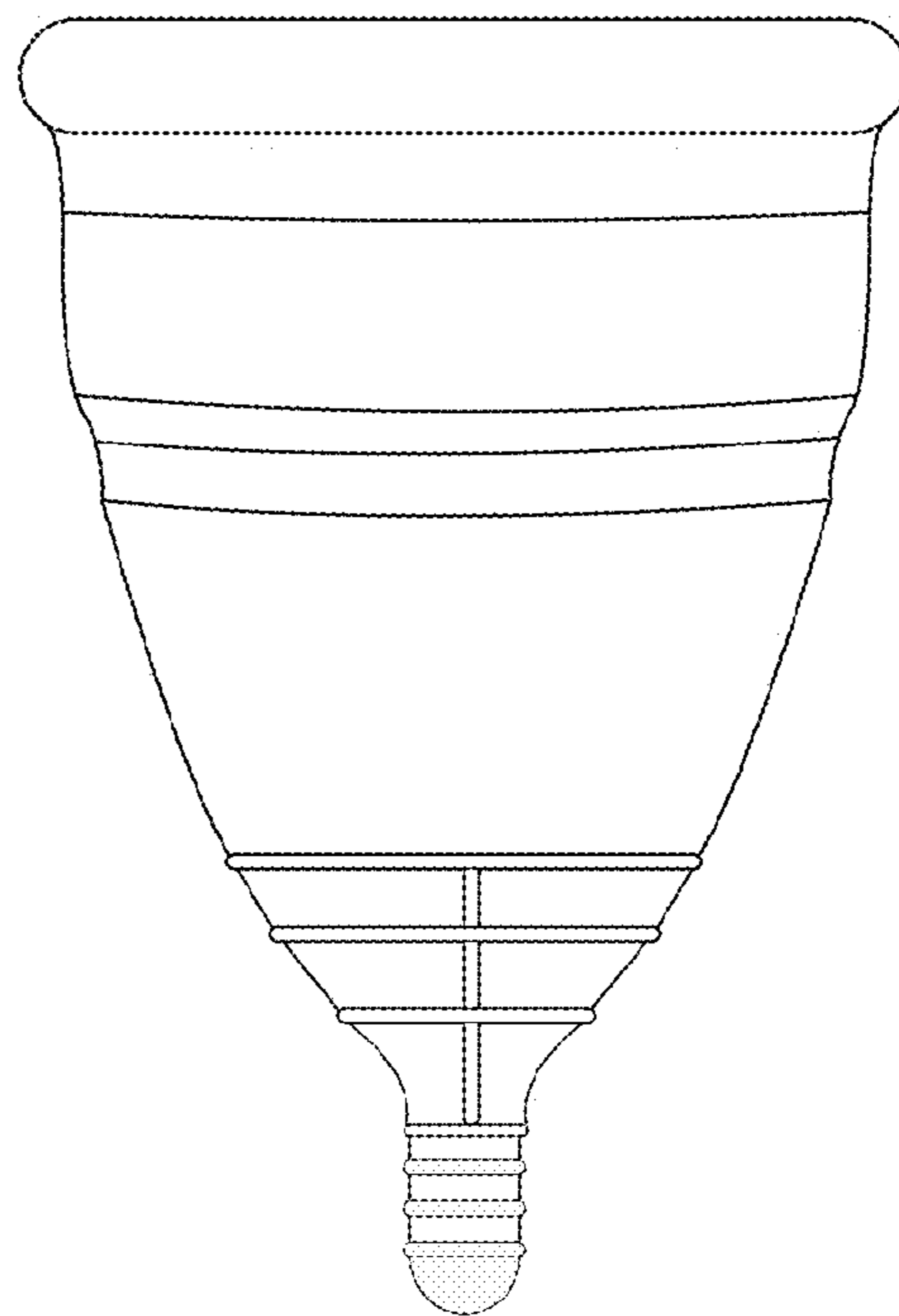


Fig. 3

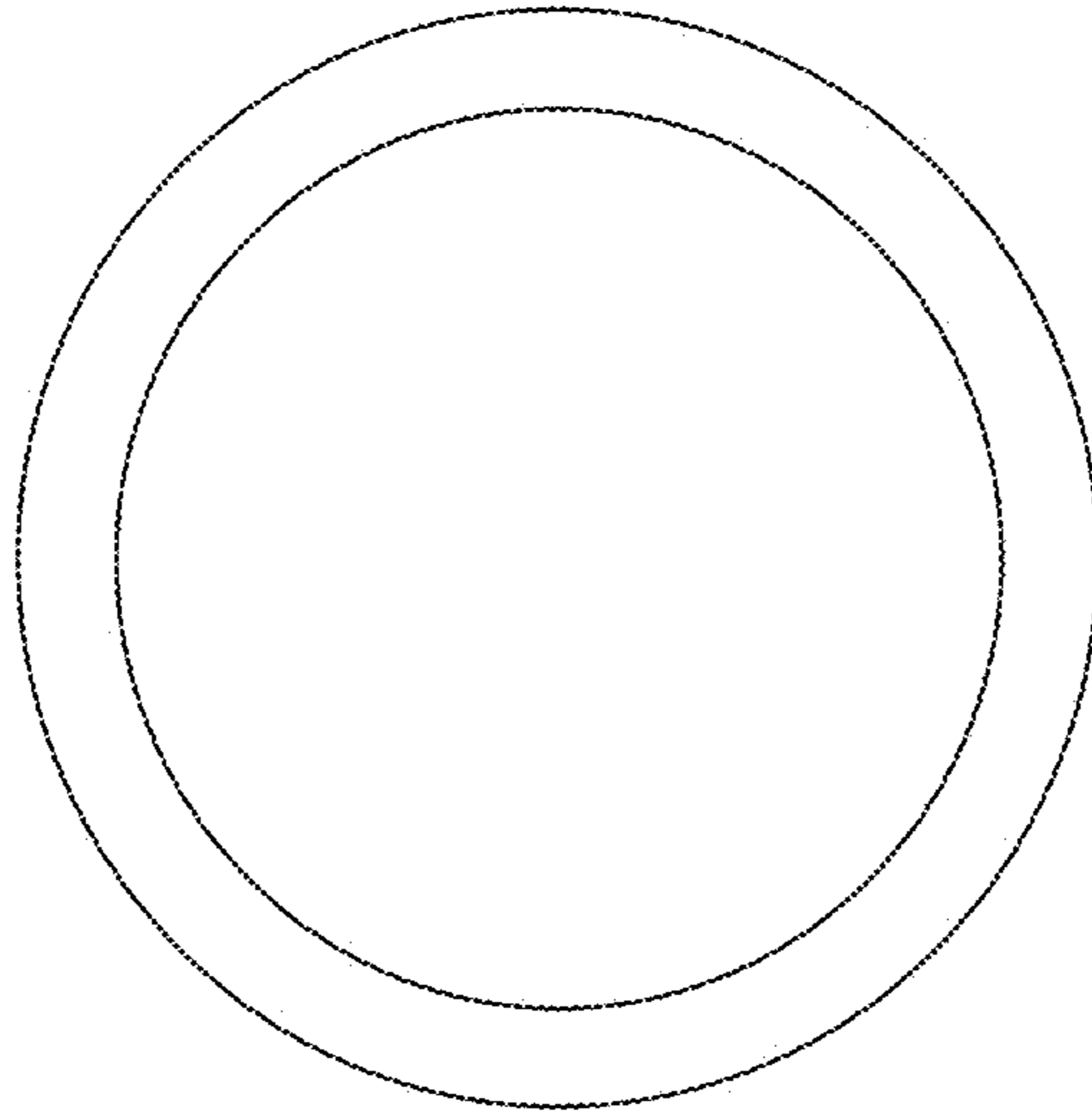


Fig. 4

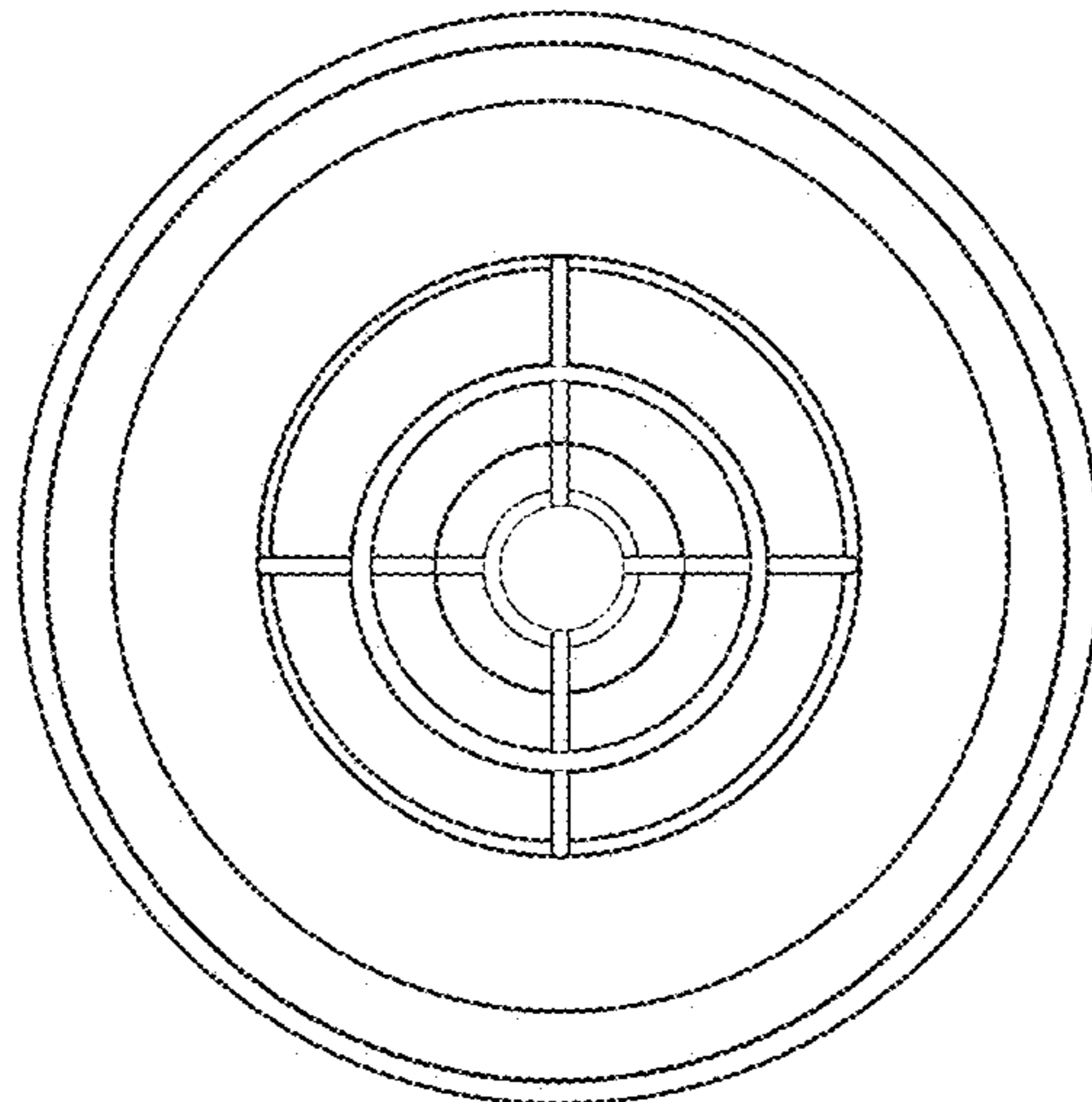


Fig. 5