



US00D760896S

(12) **United States Design Patent**
Koehler et al.

(10) **Patent No.:** **US D760,896 S**
(45) **Date of Patent:** **** Jul. 5, 2016**

(54) **EXOSCOPE**

(56) **References Cited**

(71) Applicant: **KARL STORZ GmbH & Co. KG**,
Tuttlingen (DE)
(72) Inventors: **Benedikt Koehler**, Wurmlingen (DE);
Andreas Heni, Fridingen (DE); **Markus**
Kupferschmid, Emmingen-Liptingen
(DE); **Peter Eisenkolb**, Tuttlingen (DE);
Peter Schwarz, Tuttlingen (DE);
Christian Graf, Emmingen-Liptingen
(DE)
(73) Assignee: **KARL STORZ GmbH & Co. KG**,
Tuttlingen (DE)

U.S. PATENT DOCUMENTS

D463,553	S	*	9/2002	Topala	D24/138
D657,464	S	*	4/2012	Becker	D24/138
D667,113	S	*	9/2012	Leidolt	D24/138
D715,433	S	*	10/2014	Berci	D24/138
D739,016	S	*	9/2015	Berci	D24/138
D753,297	S	*	4/2016	Berci	D24/138
2015/0085084	A1	*	3/2015	Heni	A61B 1/00064 348/50
2015/0085093	A1	*	3/2015	Heni	A61B 1/04 348/65

(**) Term: **14 Years**

* cited by examiner

(21) Appl. No.: **29/517,911**

Primary Examiner — Wan Laymon

(22) Filed: **Feb. 18, 2015**

Assistant Examiner — Mark Booker

(30) **Foreign Application Priority Data**

(74) *Attorney, Agent, or Firm* — Muncy, Geissler, Olds & Lowe, P.C.

Aug. 14, 2014 (EM) 002519892-0001
Aug. 14, 2014 (EM) 002519892-0002

(51) **LOC (10) Cl.** **24-02**

(57) **CLAIM**

The ornamental design for an exoscope, as shown and described.

(52) **U.S. Cl.**
USPC **D24/138**

DESCRIPTION

(58) **Field of Classification Search**
USPC D24/138, 137, 133, 135, 140;
600/101–110, 111–120, 121–130,
600/131–140, 141–150, 151–160, 161–170,
600/171–183; 348/65

FIG. 1 is a front perspective view of an exoscope according to the present invention.

FIG. 2 is a front view of the exoscope of FIG. 1.

FIG. 3 is a rear view of the exoscope of FIG. 1.

FIG. 4 is a top view of the exoscope of FIG. 1.

FIG. 5 is a bottom view of the exoscope of FIG. 1.

FIG. 6 is a left side view of the exoscope of FIG. 1; and,

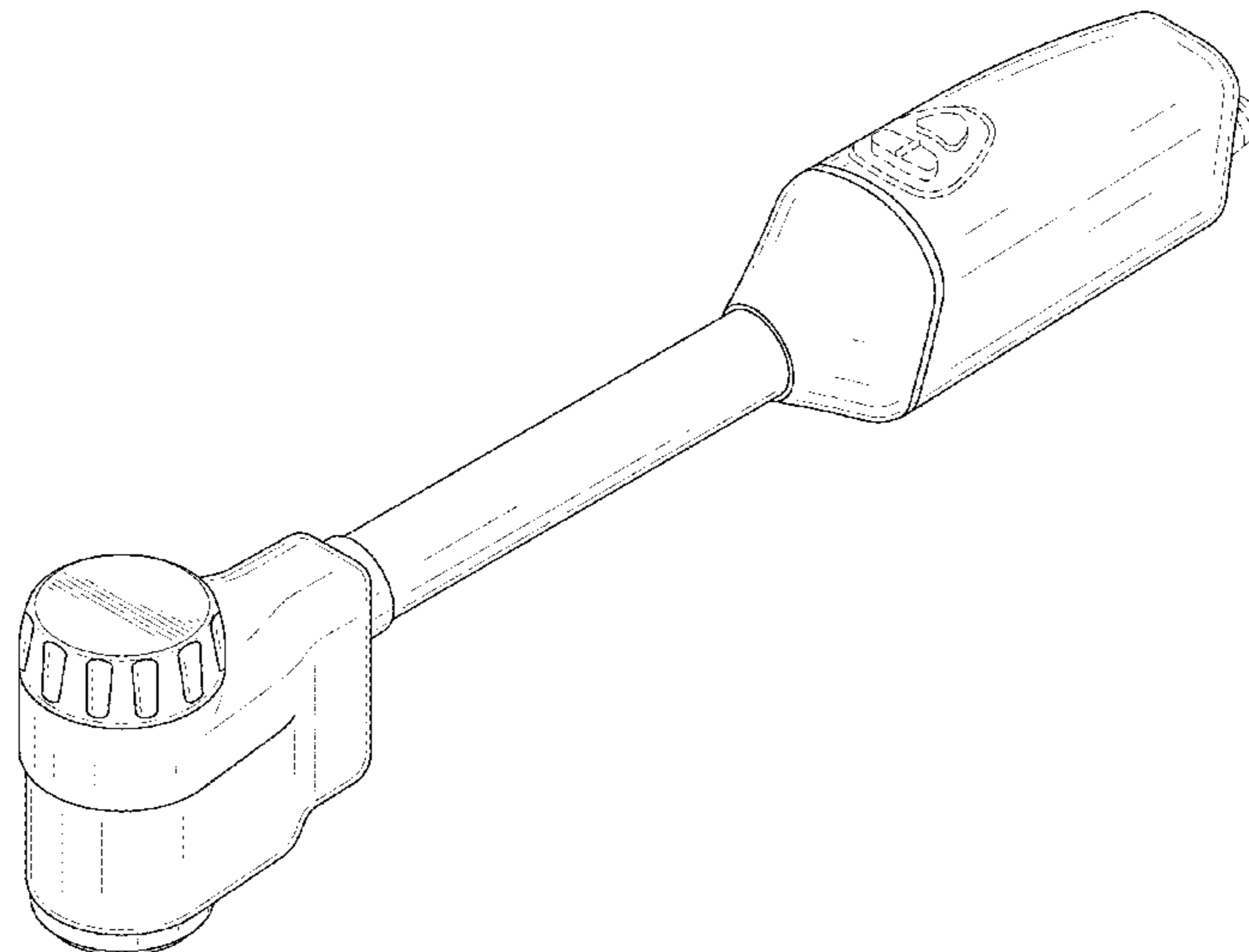
FIG. 7 is a right view of the exoscope of FIG. 1.

The dashed lines illustrate environment that does not form a part of the present invention, and no claim is made to the material illustrated with dashed lines.

CPC .. A61B 1/00; A61B 1/00064; A61B 1/00066;
A61B 1/0669; A61B 1/04; A61B 1/00096;
A61B 1/05; A61B 1/00114; A61B 1/00177;
A61B 1/00193; A61B 1/00147; H04N 5/2252;
H04N 13/021; G02B 23/2415

See application file for complete search history.

1 Claim, 7 Drawing Sheets



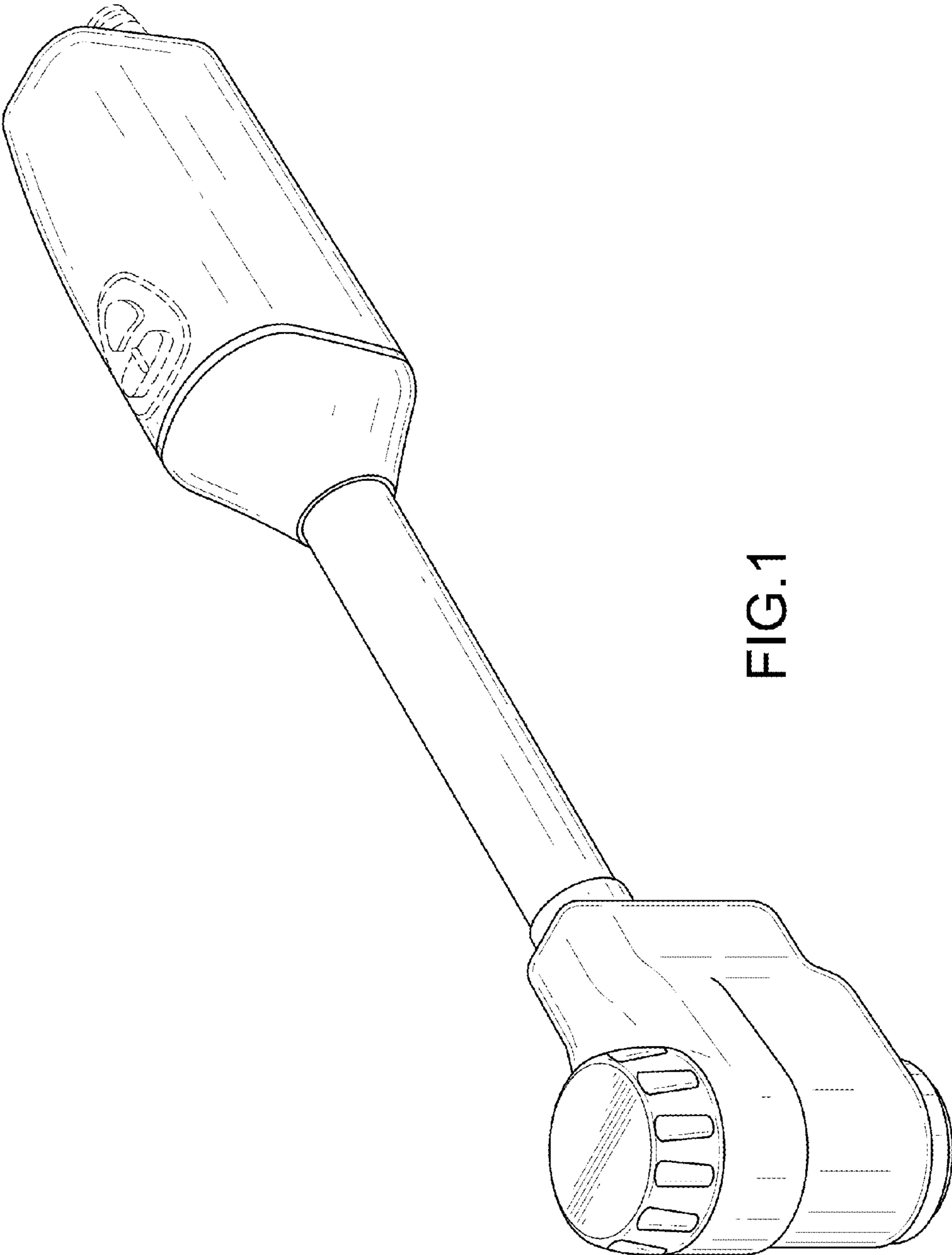


FIG.1

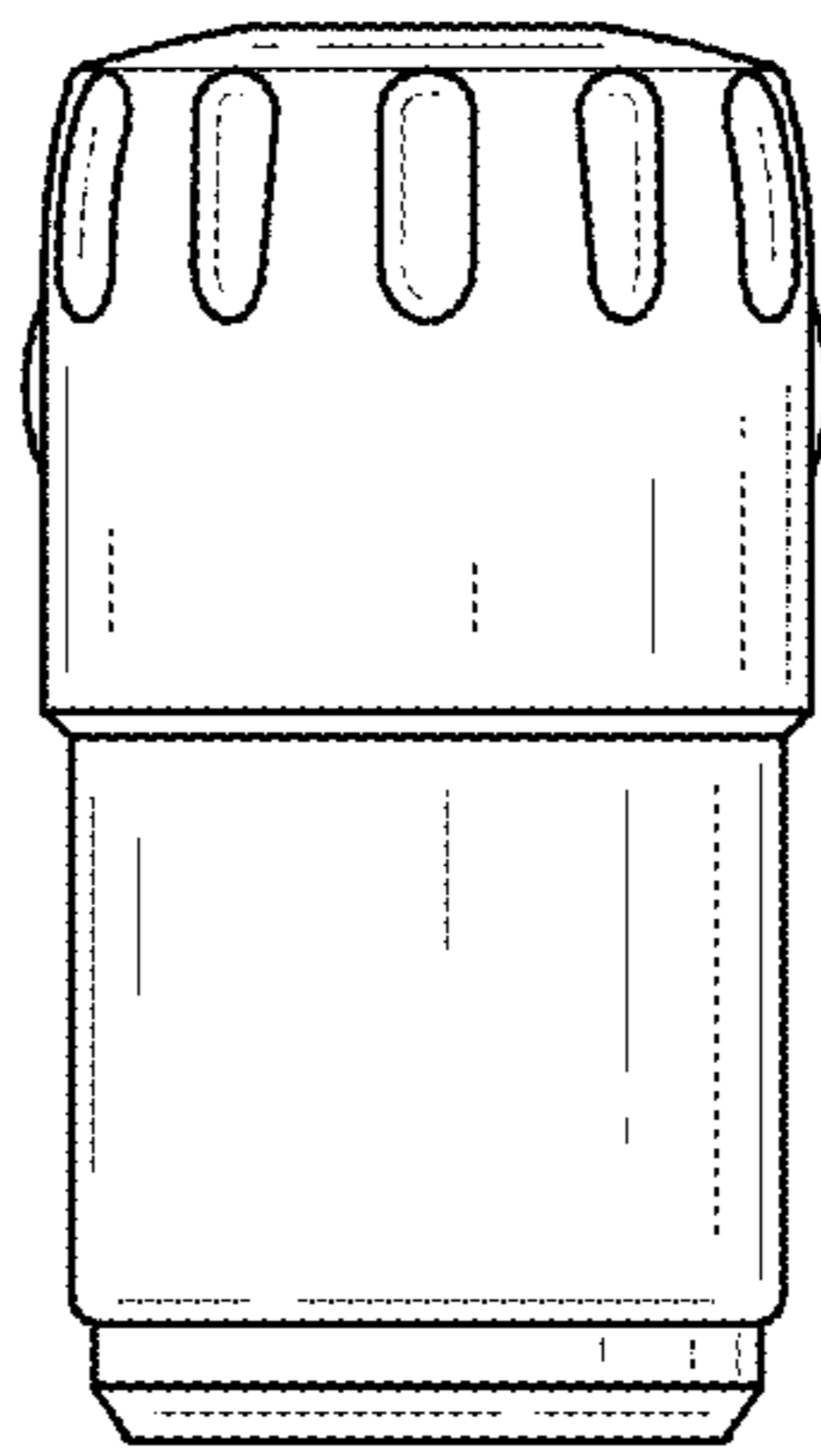


FIG.2

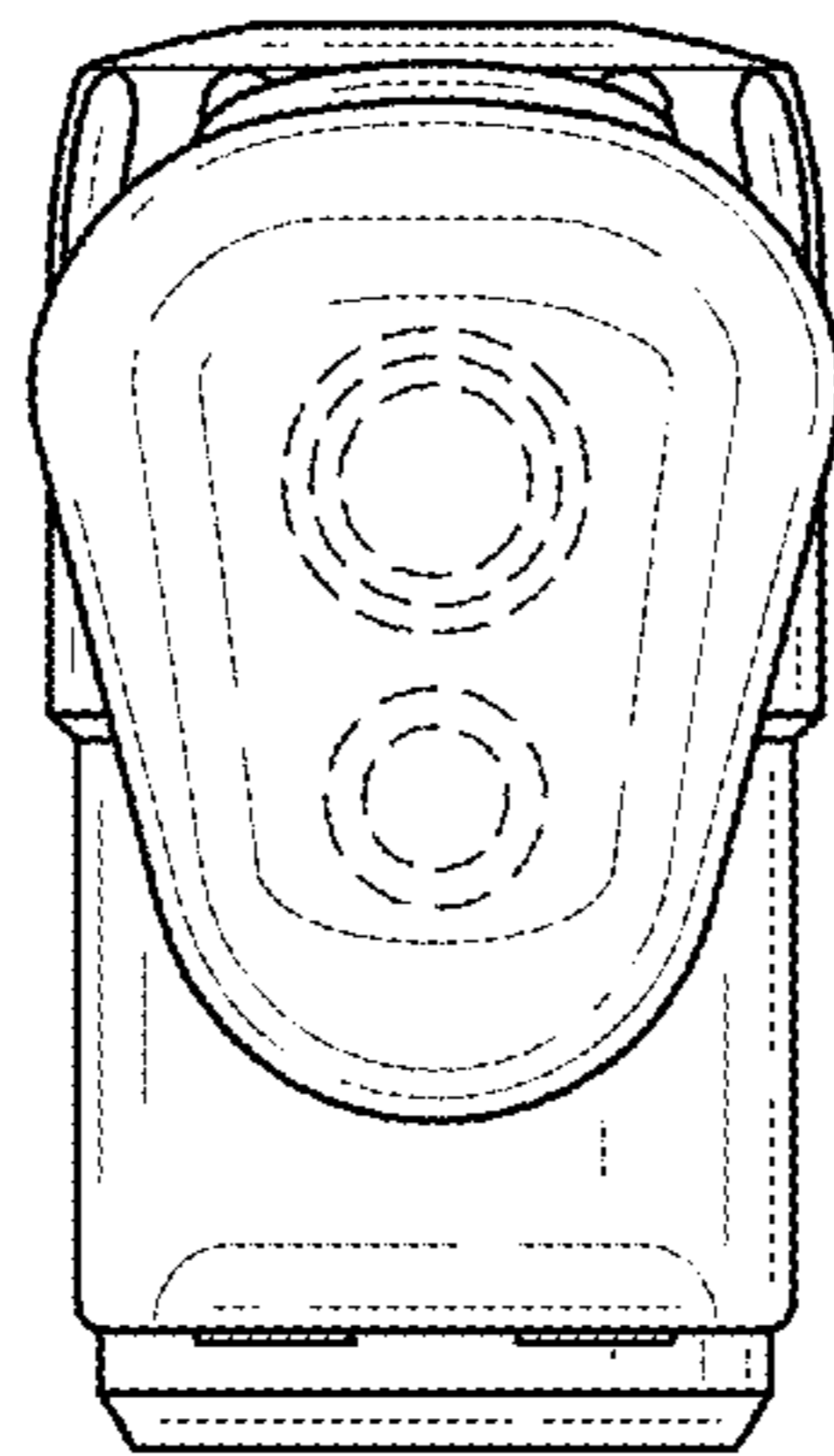


FIG.3

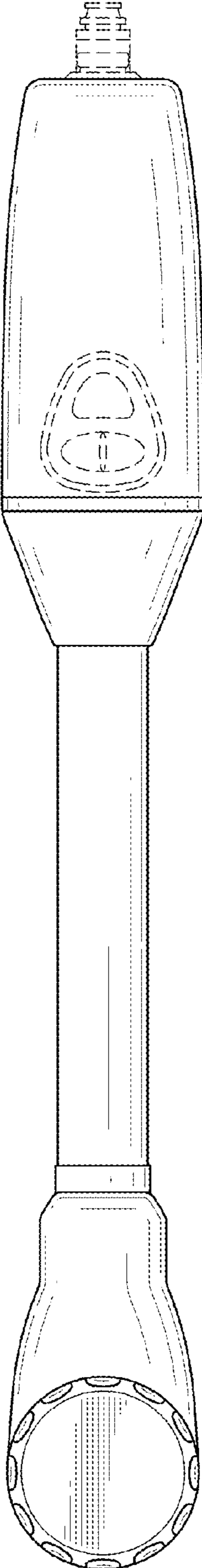


FIG.4

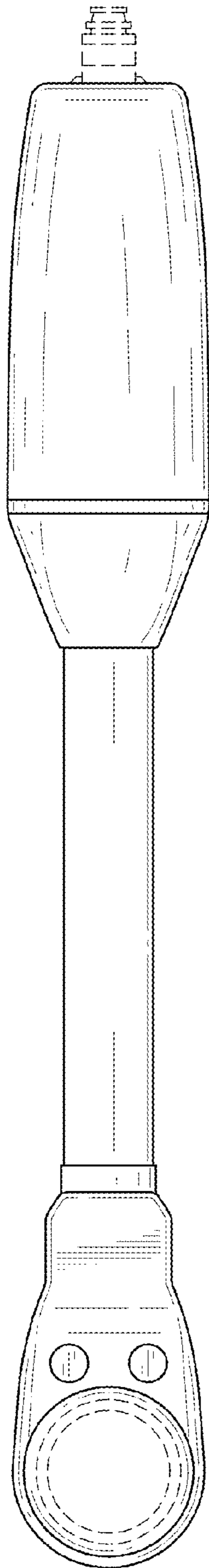


FIG.5

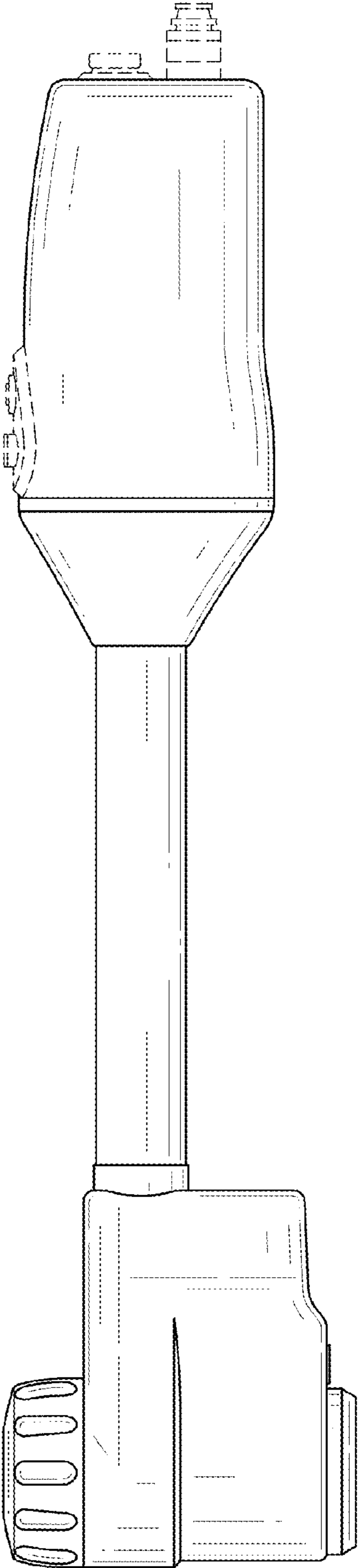


FIG.6

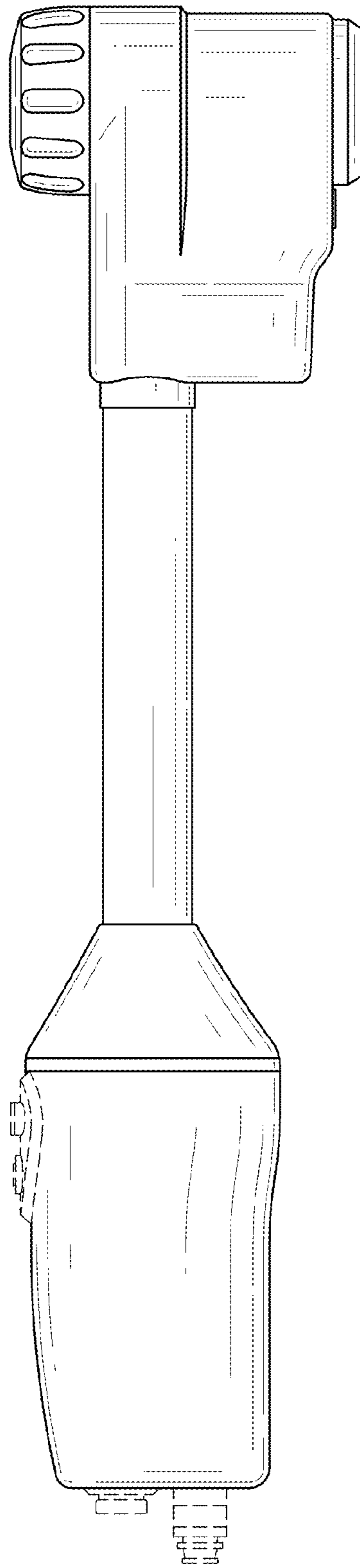


FIG. 7