

US00D760895S

(12) **United States Design Patent**  
**McMahon et al.**

(10) **Patent No.:** **US D760,895 S**

(45) **Date of Patent:** **\*\* Jul. 5, 2016**

(54) **HANDLE FOR A MEDICAL DEVICE,  
OTOSCOPE, OPHTHALMOSCOPE, OR THE  
LIKE**

D594,555 S \* 6/2009 Hsu ..... D24/137  
D619,708 S \* 7/2010 Ellman ..... D24/137  
8,459,844 B2 \* 6/2013 Lia ..... A61B 1/0661  
362/326

(71) Applicant: **Welch Allyn, Inc.**, Skaneateles Falls, NY  
(US)

D709,191 S \* 7/2014 Wood ..... D24/137  
2004/0039251 A1 \* 2/2004 Roberts ..... A61B 1/227  
600/178

(72) Inventors: **Michael T. McMahon**, Skaneateles  
Falls, NY (US); **John Haberstock**,  
Skaneateles Falls, NY (US); **Todd  
Abernethy**, Skaneateles Falls, NY (US);  
**Stephen Montgomery**, Skaneateles  
Falls, NY (US)

**OTHER PUBLICATIONS**

3.5 V Diagnostic Oscopes [online] [retrieved Jun. 10, 2014].  
Retrieved from the Internet: <URL: http://intl.welchallyn.com/apps/  
products/product.jsp?id=11-ac-100-000000001141>. (2011) 1  
page.

(73) Assignee: **WELCH ALLYN, INC.**, Skaneateles  
Falls, NY (US)

PocketScope Oscope with Throat Illuminator [online] [retrieved  
Jun. 10, 2014]. Retrieved from the Internet: <URL: http://intel.  
welchallyn.com/apps/products/product.jsp?id=11-ac-100-  
000000001148. (2011) 1 page.

(\*\*) Term: **14 Years**

(Continued)

(21) Appl. No.: **29/498,122**

*Primary Examiner* — Wan Laymon

(22) Filed: **Jul. 31, 2014**

*Assistant Examiner* — Mark Booker

(51) **LOC (10) Cl.** ..... **24-02**

(52) **U.S. Cl.**  
USPC ..... **D24/137**

(57) **CLAIM**

The ornamental design for a handle for a medical device,  
otoscope, ophthalmoscope, or the like, as shown and  
described.

(58) **Field of Classification Search**  
USPC ..... D24/137, 138, 150, 172, 37; 351/218,  
351/221, 205, 206; 606/4; D8/80, 83, 107,  
D8/300, 303  
CPC ..... A61B 1/227; A61B 3/1208; H02J 7/0045;  
H01M 2/1055; H01M 10/46; H01M 2/1005  
See application file for complete search history.

**DESCRIPTION**

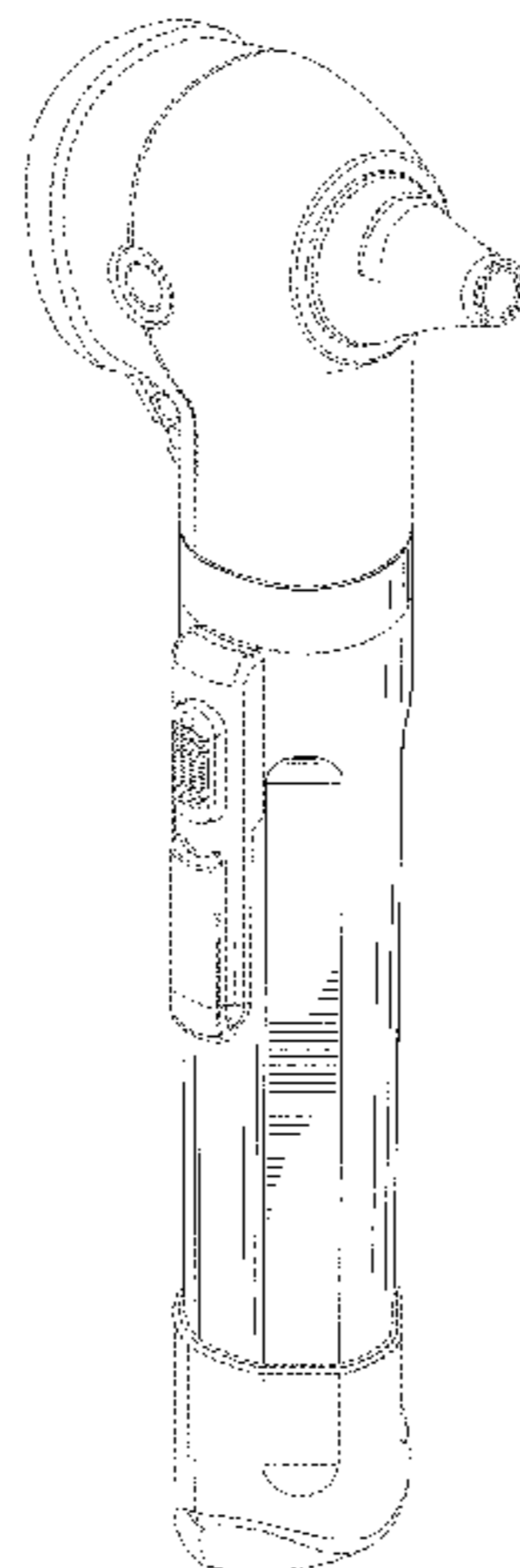
(56) **References Cited**

**U.S. PATENT DOCUMENTS**

D207,372 S \* 4/1967 Pulos ..... 600/200  
D377,393 S \* 1/1997 Sams ..... D24/137  
D423,668 S \* 4/2000 Coe ..... D24/137  
D429,333 S \* 8/2000 Sanders ..... D24/137  
6,130,520 A \* 10/2000 Wawro ..... A61B 1/227  
320/114  
D566,270 S \* 4/2008 Strom ..... D24/137  
D566,838 S \* 4/2008 Slawson ..... D24/137

FIG. 1 is a perspective view of a handle for a medical device,  
otoscope, ophthalmoscope, or the like showing our new  
design;  
FIG. 2 is a front elevation view thereof;  
FIG. 3 is a rear elevation view thereof;  
FIG. 4 is a right side elevation view thereof;  
FIG. 5 is a left side elevation view thereof;  
FIG. 6 is a top plan view thereof; and,  
FIG. 7 is a bottom plan view thereof.  
Broken lines shown immediately adjacent shaded areas rep-  
resent bounds of the claimed design and unclaimed features.  
All other broken lines are directed to unclaimed features. The  
broken lines form no part of the claimed design.

**1 Claim, 6 Drawing Sheets**



(56)

**References Cited**

OTHER PUBLICATIONS

Welch Allyn PocketScope Otoscope w/“AA” Handle and Soft Case, 1/Ea, 22821 [online] [retrieved Jun. 10, 2014]. Retrieved from the Internet: <URL: [http://www.amazon.com/Welch-Allyn-PocketScope-Otoscope-22821/dp/B000ROJ8UW/ref=pd\\_sim\\_hpc\\_3?ie=UTF8&refRID=13090GMJV3SHNBVAQPKS](http://www.amazon.com/Welch-Allyn-PocketScope-Otoscope-22821/dp/B000ROJ8UW/ref=pd_sim_hpc_3?ie=UTF8&refRID=13090GMJV3SHNBVAQPKS)>.

(undated) 2 pages.

3.5 V Standard Ophthalmoscope [online] [retrieved Jun. 10, 2014]. Retrieved from the Internet: <URL: <http://intel.welchallyn.com/apps/products/product.jsp?id=11-ac-100-000000001137>>. (2011) 1 page.

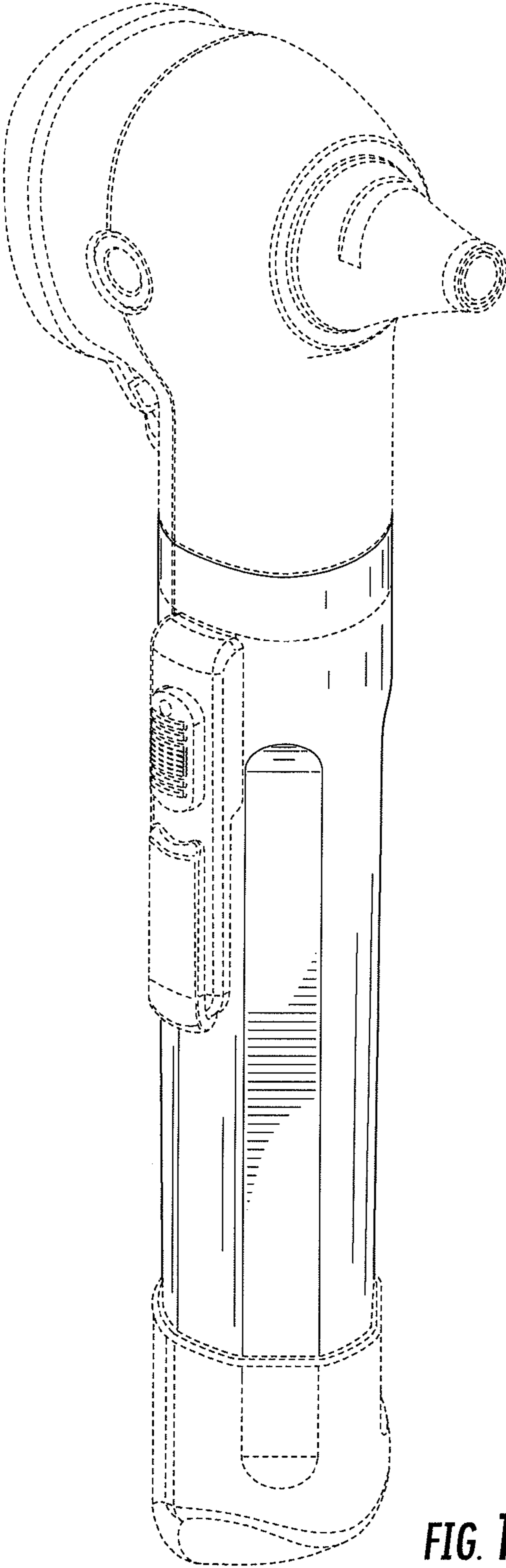
PocketScope Ophthalmoscope [online] [retrieved Jun. 10, 2014].

Retrieved from the Internet: <URL: <http://intel.welchallyn.com/apps/products/product.jsp?id=11-ac-100-000000001139>>. (2011) 1 page.

Welch Allyn 2.5v PocketScope Ophthalmoscope with AA Handle (Model 12820) [online] [retrieved Jun. 10, 2014]. Retrieved from the Internet: <URL: [http://www.amazon.com/Welch-allyn-PocketScope-Ophthalmoscope-Handle/dp/B002MBRHR0Q/ref=pd\\_sim\\_sbs\\_hpc\\_1?ie=UTF8&refRID=0KV7EFBWEAQ08K...](http://www.amazon.com/Welch-allyn-PocketScope-Ophthalmoscope-Handle/dp/B002MBRHR0Q/ref=pd_sim_sbs_hpc_1?ie=UTF8&refRID=0KV7EFBWEAQ08K...)>. (undated) 2 pages.

Welch Allyn Otoscope/opthalmoscope Diagnostic Set MOD 95001 [online] [retrieved Jun. 10, 2014]. Retrieved from the Internet: <URL: [http://www.amazon.com/Welch-Allyn-opthalmoscope-MOD-95001/dp/B000RJXUDS/ref=pd\\_sxp\\_grid\\_pt\\_0\\_1](http://www.amazon.com/Welch-Allyn-opthalmoscope-MOD-95001/dp/B000RJXUDS/ref=pd_sxp_grid_pt_0_1)>. (undated) 2 pages.

\* cited by examiner



**FIG. 1**

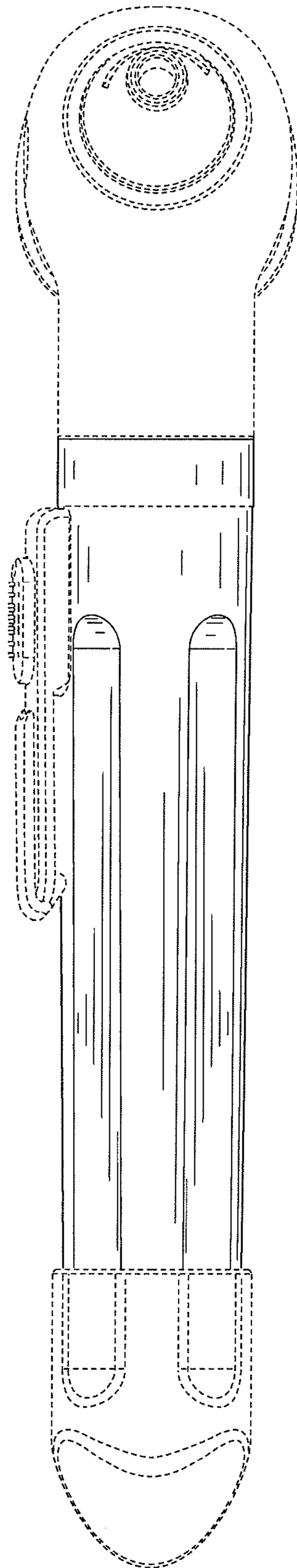
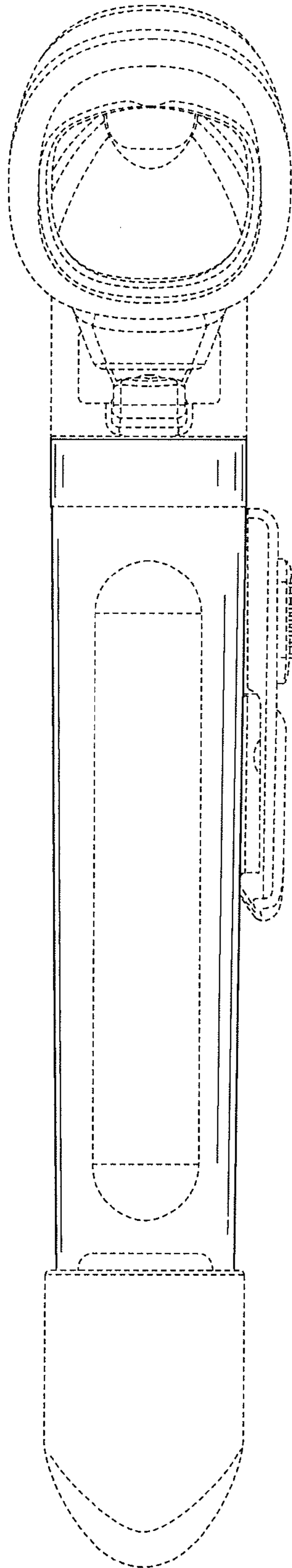


FIG. 2



**FIG. 3**

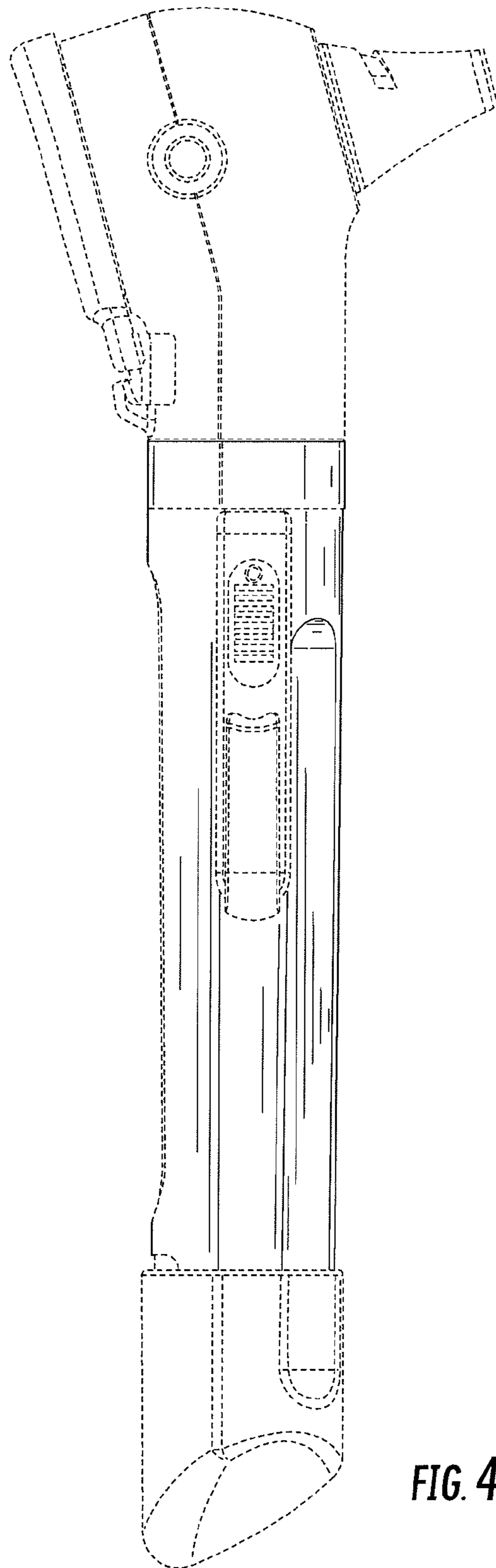


FIG. 4



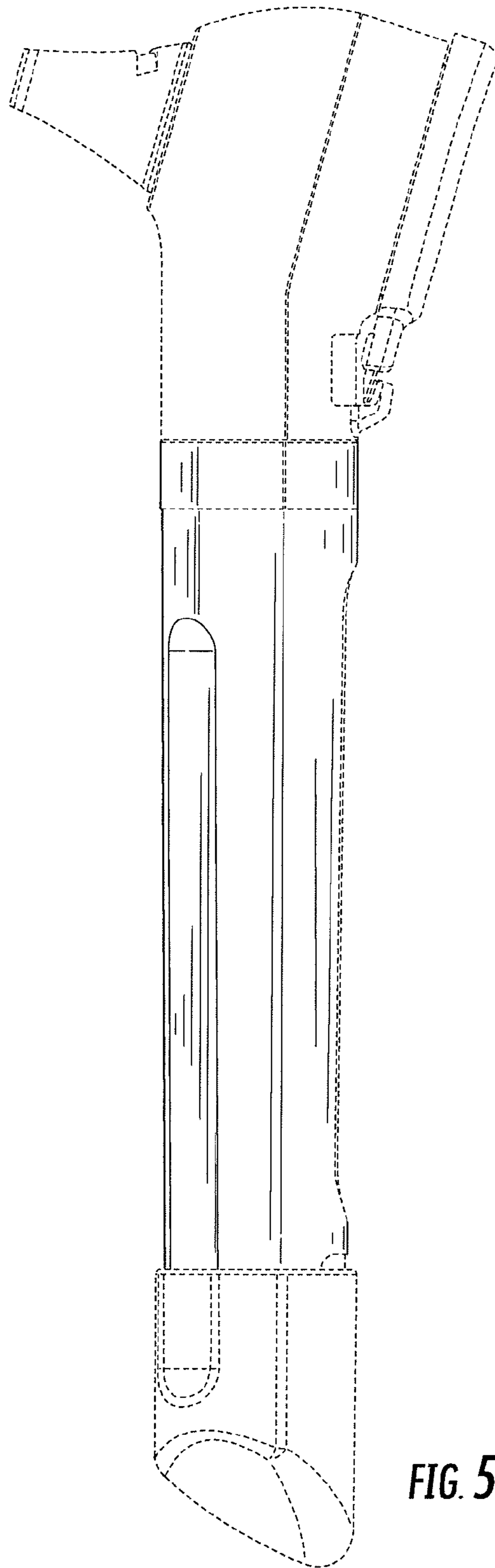
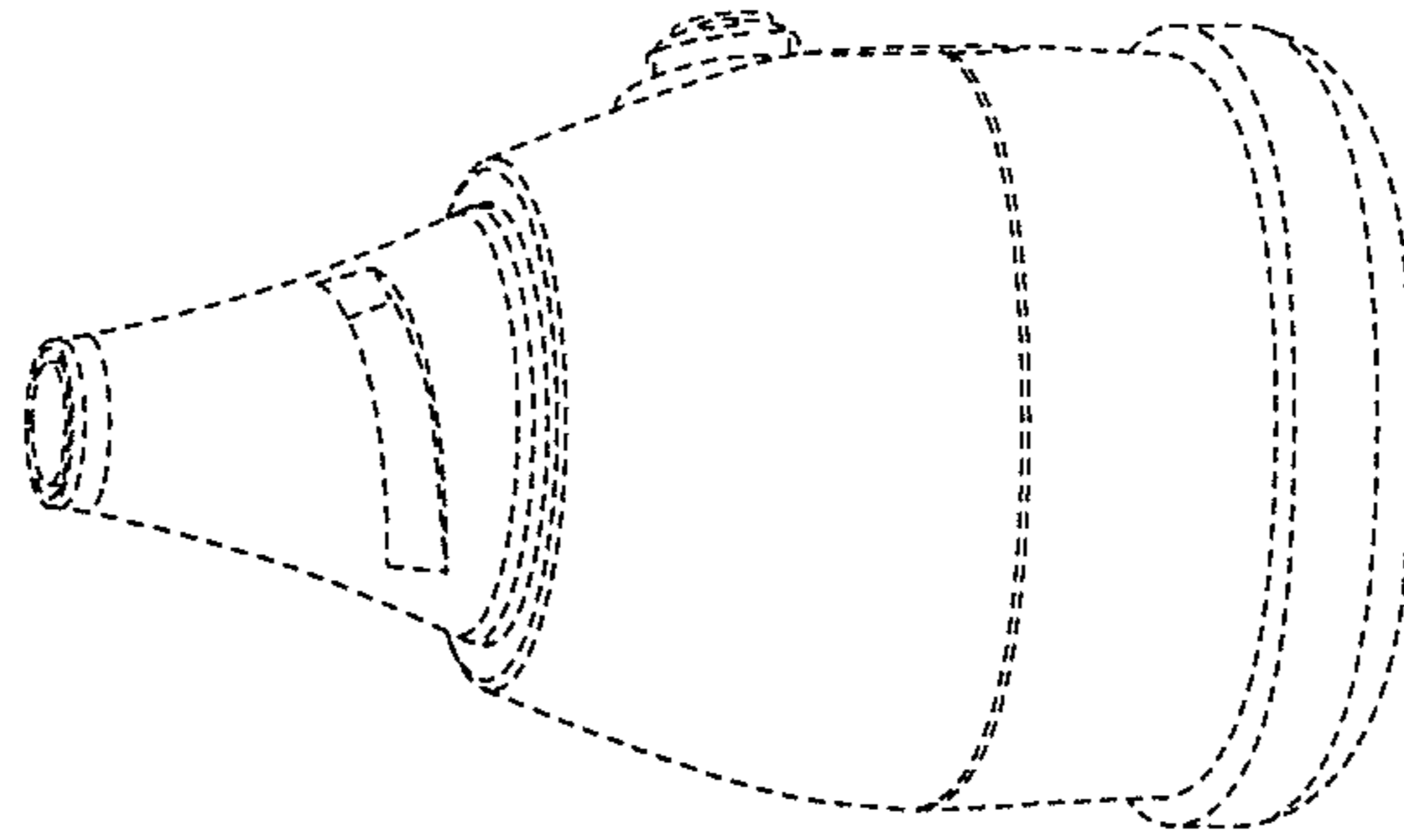
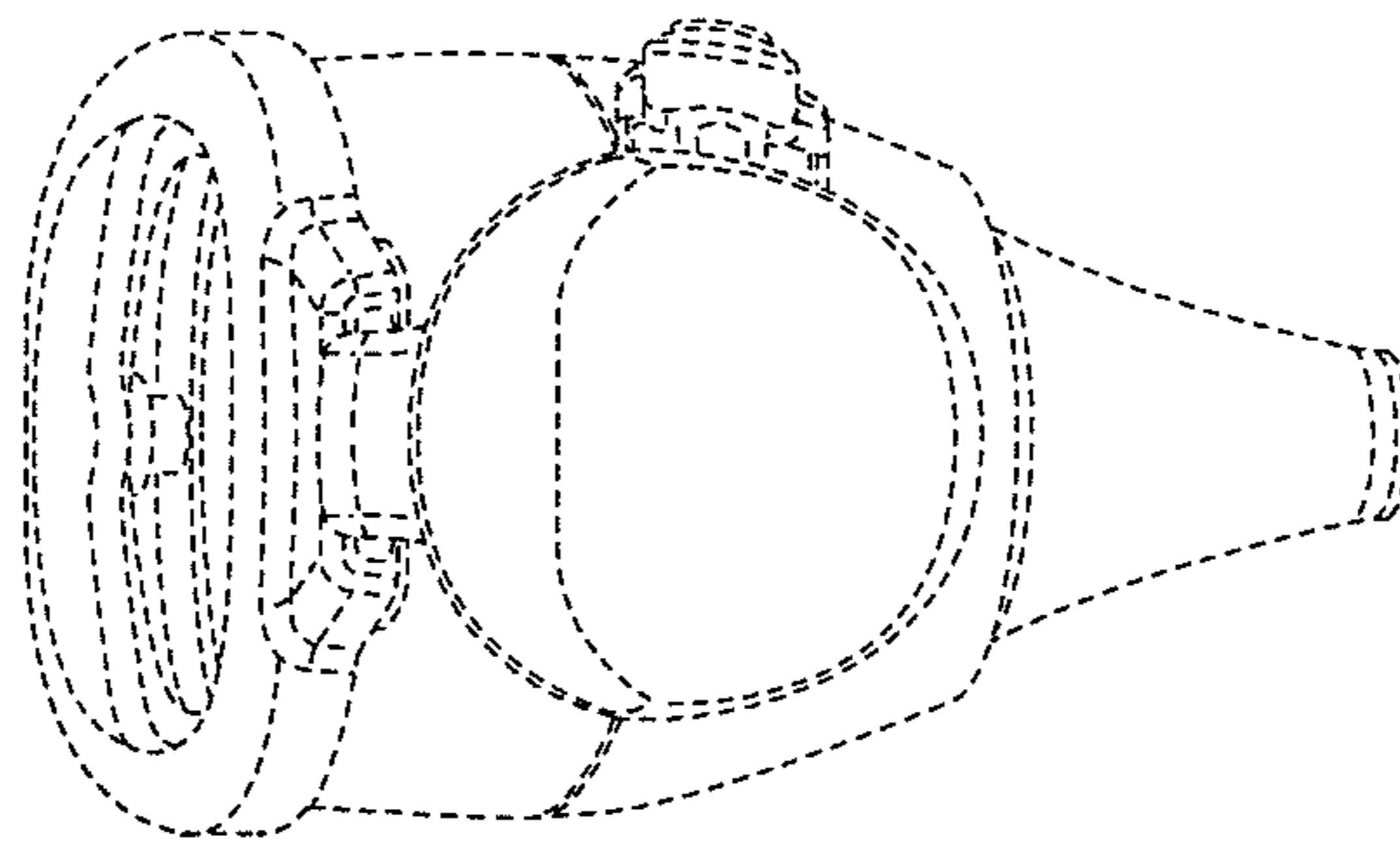


FIG. 5



**FIG. 6**



**FIG. 7**