

US00D760894S

(12) **United States Design Patent**  
**Cheney**

(10) **Patent No.:** **US D760,894 S**  
(45) **Date of Patent:** **\*\* Jul. 5, 2016**

(54) **ORTHOPEdic IMPLANT RETAINING DEVICE**

8,834,483 B2 9/2014 Cheney et al.  
D720,072 S 12/2014 Cheney et al.  
2004/0230193 A1 11/2004 Cheung et al.  
2005/0055027 A1 3/2005 Yeung et al.  
2005/0283159 A1 12/2005 Amara

(71) Applicant: **BioMedical Enterprises, Inc.**, San Antonio, TX (US)

FOREIGN PATENT DOCUMENTS

(72) Inventor: **Daniel F. Cheney**, San Antonio, TX (US)

EP 0857462 A1 8/1998  
EP 1870042 A1 12/2007

(73) Assignee: **BioMedical Enterprises, Inc.**, San Antonio, TX (US)

OTHER PUBLICATIONS

(\*\*) Term: **14 Years**

BME Sales Brochure covering Nitinol Intramedullary Fixation System introduced Mar. 4, 2010.

(21) Appl. No.: **29/509,098**

\* cited by examiner

(22) Filed: **Nov. 13, 2014**

*Primary Examiner* — Wan Laymon

(51) **LOC (10) Cl.** ..... **24-02**

*Assistant Examiner* — Mark Booker

(52) **U.S. Cl.**  
USPC ..... **D24/133**

(74) *Attorney, Agent, or Firm* — Christopher L. Makay

(58) **Field of Classification Search**  
USPC ..... D24/133, 155, 156; 623/17.11, 17.12, 623/17.15, 17.16, 18.11, 20.21, 21.13; 606/62, 63, 86 R, 86 B, 90, 99, 300  
CPC ... A61B 17/8872; A61B 17/844; A61B 17/68  
See application file for complete search history.

(57) **CLAIM**

The ornamental design for an orthopedic implant retaining device, as shown and described.

**DESCRIPTION**

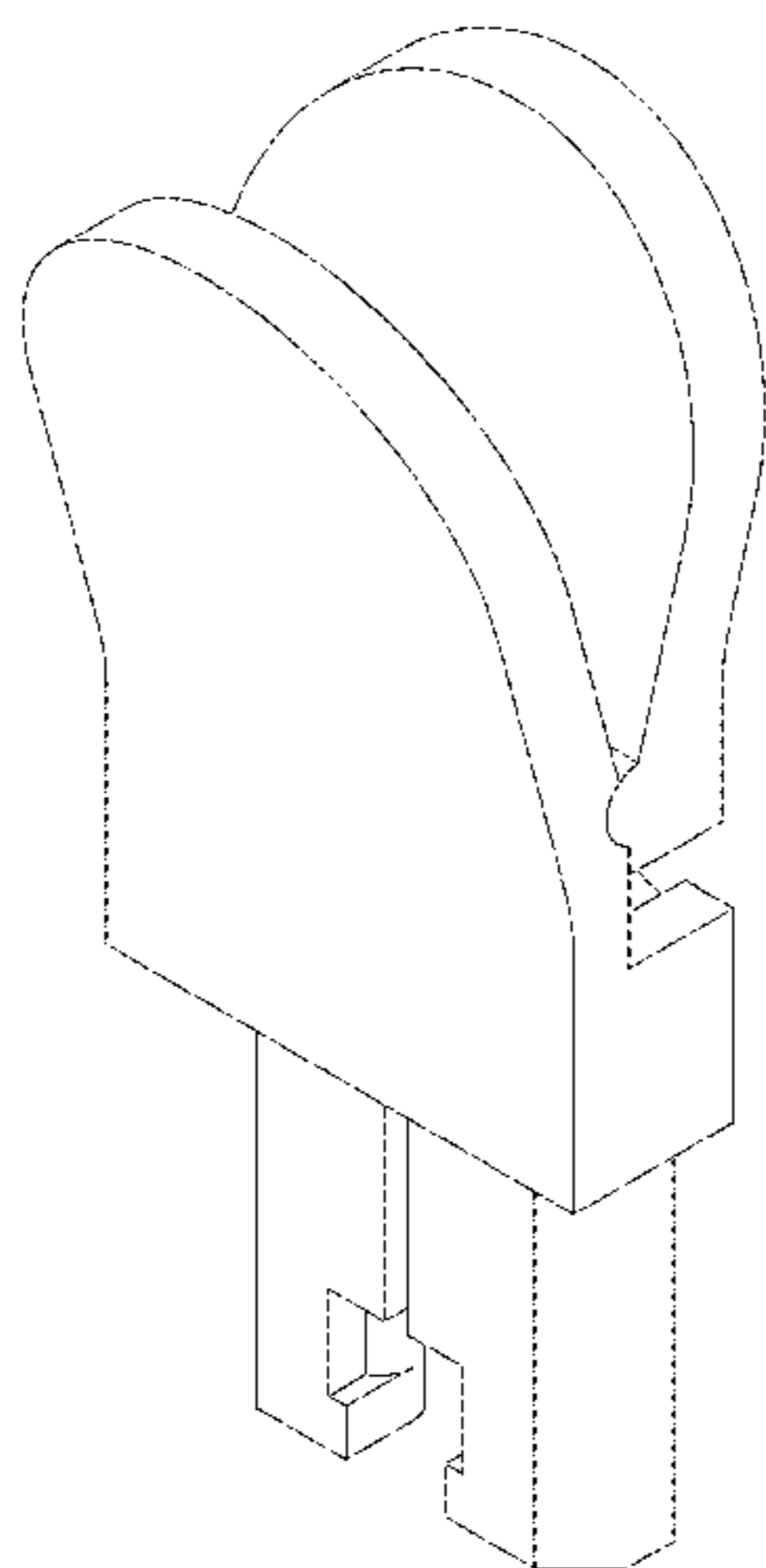
(56) **References Cited**

U.S. PATENT DOCUMENTS

1,106,241 A 8/1914 Richardson  
2,544,492 A 3/1947 Downing  
4,438,769 A 3/1984 Pratt et al.  
D388,171 S \* 12/1997 Fekete ..... D24/133  
7,052,498 B2 5/2006 Levy et al.  
8,137,351 B2 3/2012 Prandi  
8,162,942 B2 4/2012 Coati et al.  
8,262,712 B2 9/2012 Coilard-Lavirotte et al.  
D675,734 S \* 2/2013 Cheney ..... D24/145  
D676,962 S \* 2/2013 Cheney ..... D24/145  
8,394,097 B2 3/2013 Peyrot et al.  
8,475,456 B2 7/2013 Augoyard et al.  
8,596,514 B2 12/2013 Miller et al.

FIG. 1 is a perspective view of the orthopedic implant retaining device;  
FIG. 2 is a front view thereof;  
FIG. 3 is a rear view thereof;  
FIG. 4 is a left side view thereof;  
FIG. 5 is a right side view thereof;  
FIG. 6 is a top view thereof;  
FIG. 7 is a bottom view thereof; and,  
FIG. 8 is a perspective view thereof illustrating the orthopedic implant retaining device engaging an orthopedic implant.  
The broken lines shown in the figures represent portions of the orthopedic implant retaining device or an orthopedic implant that form no part of the claimed design.

**1 Claim, 8 Drawing Sheets**



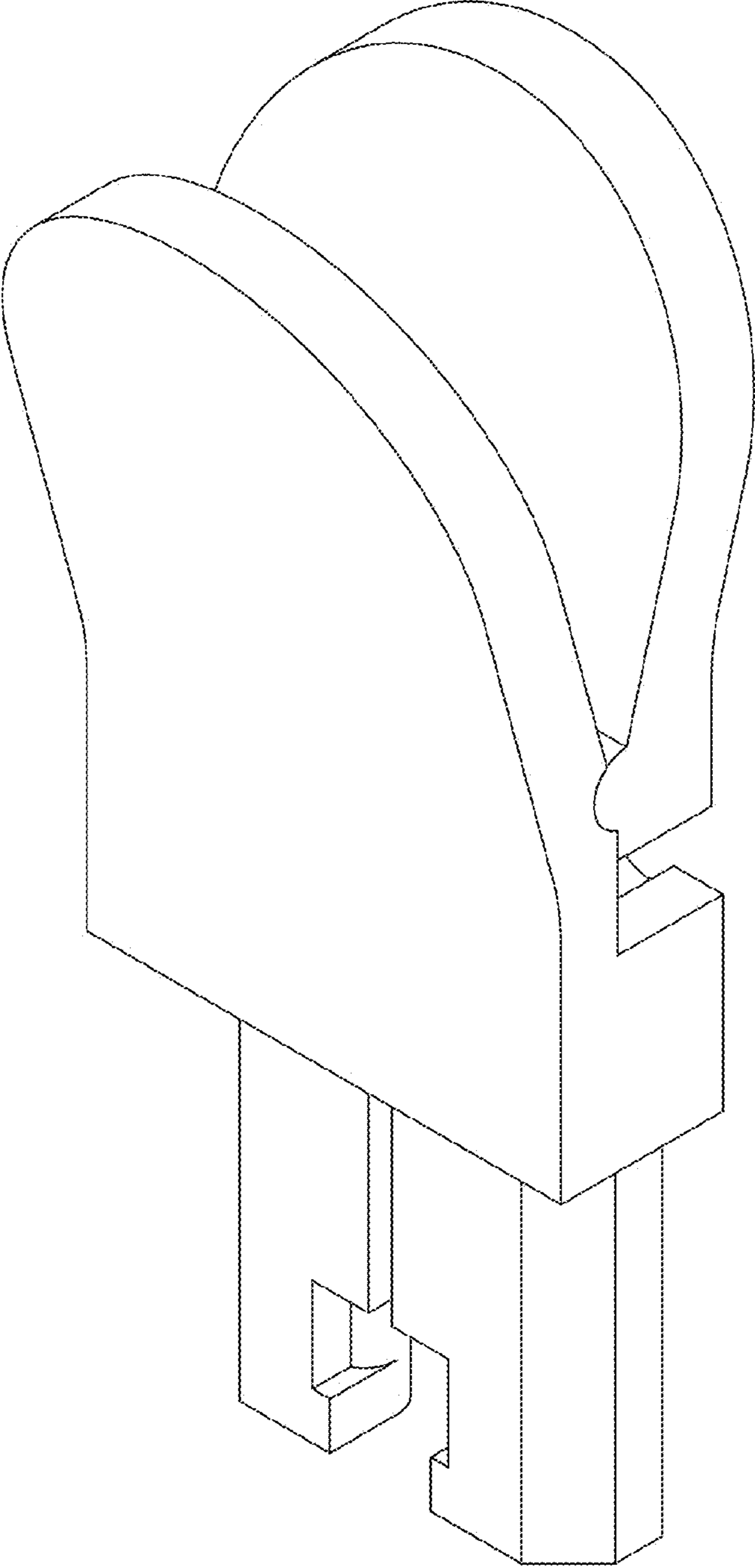


FIG. 1

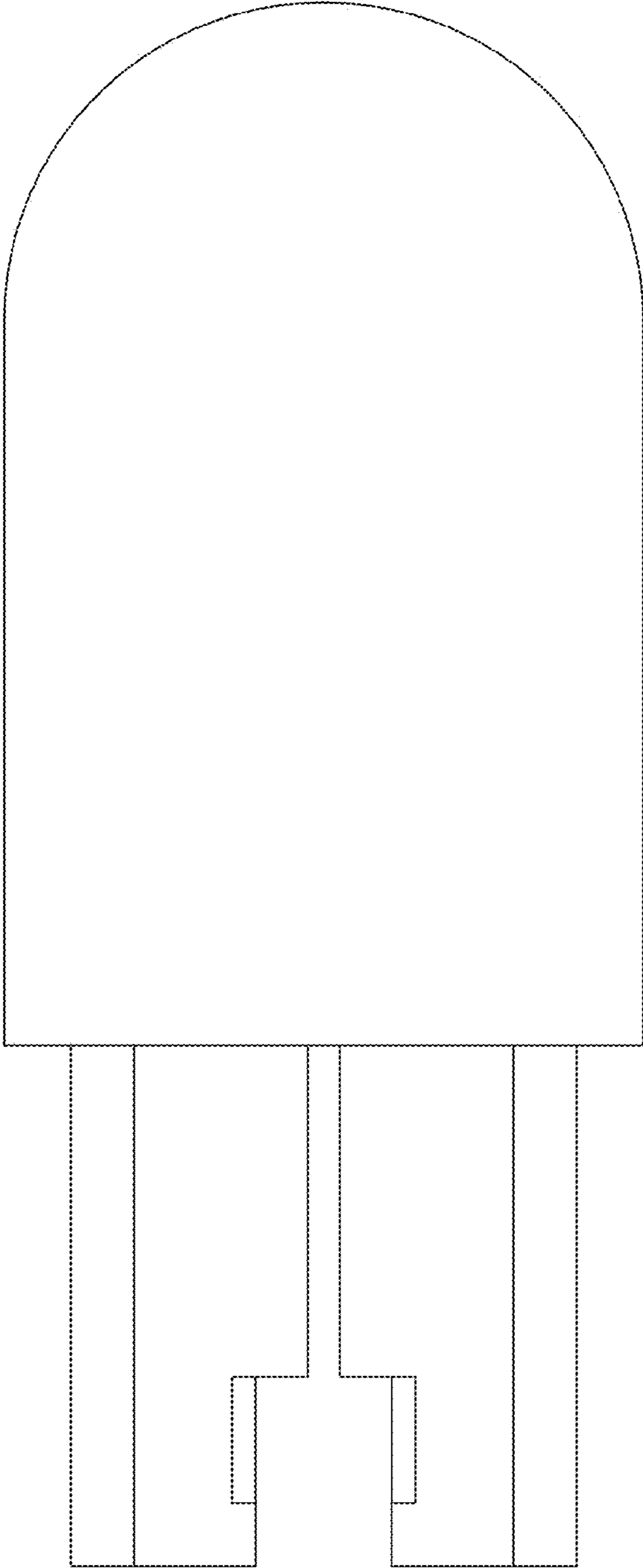


FIG. 2

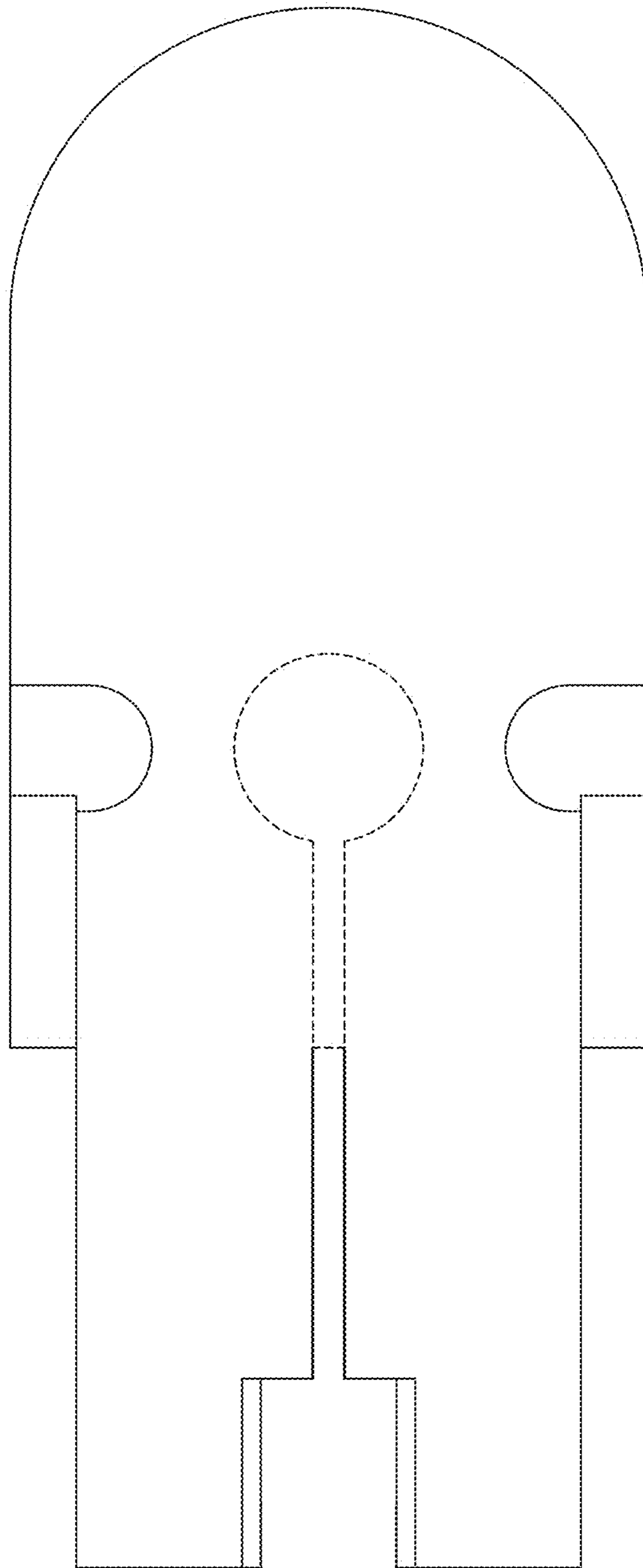


FIG 3

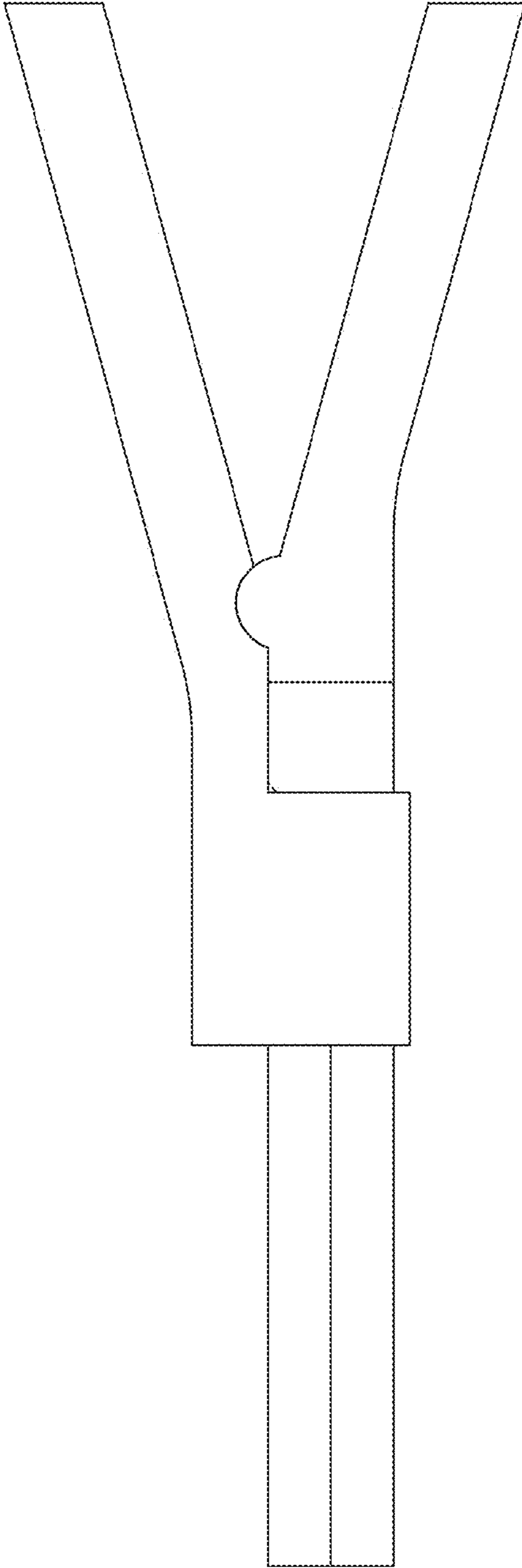


FIG 4

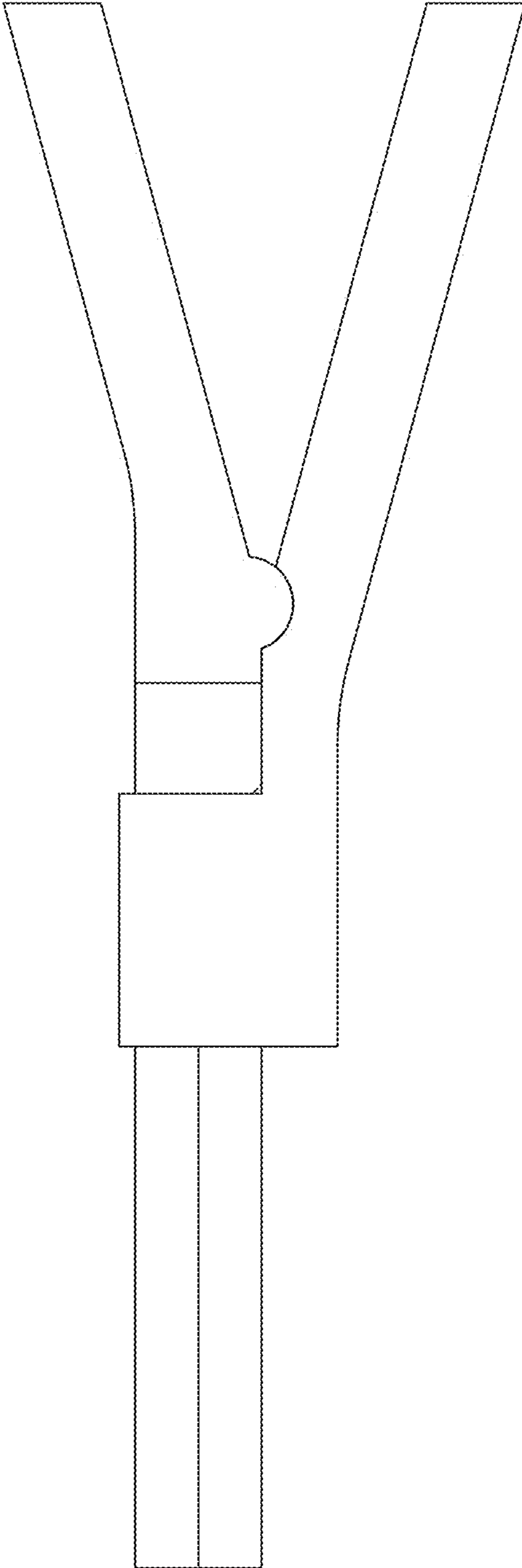


FIG 5

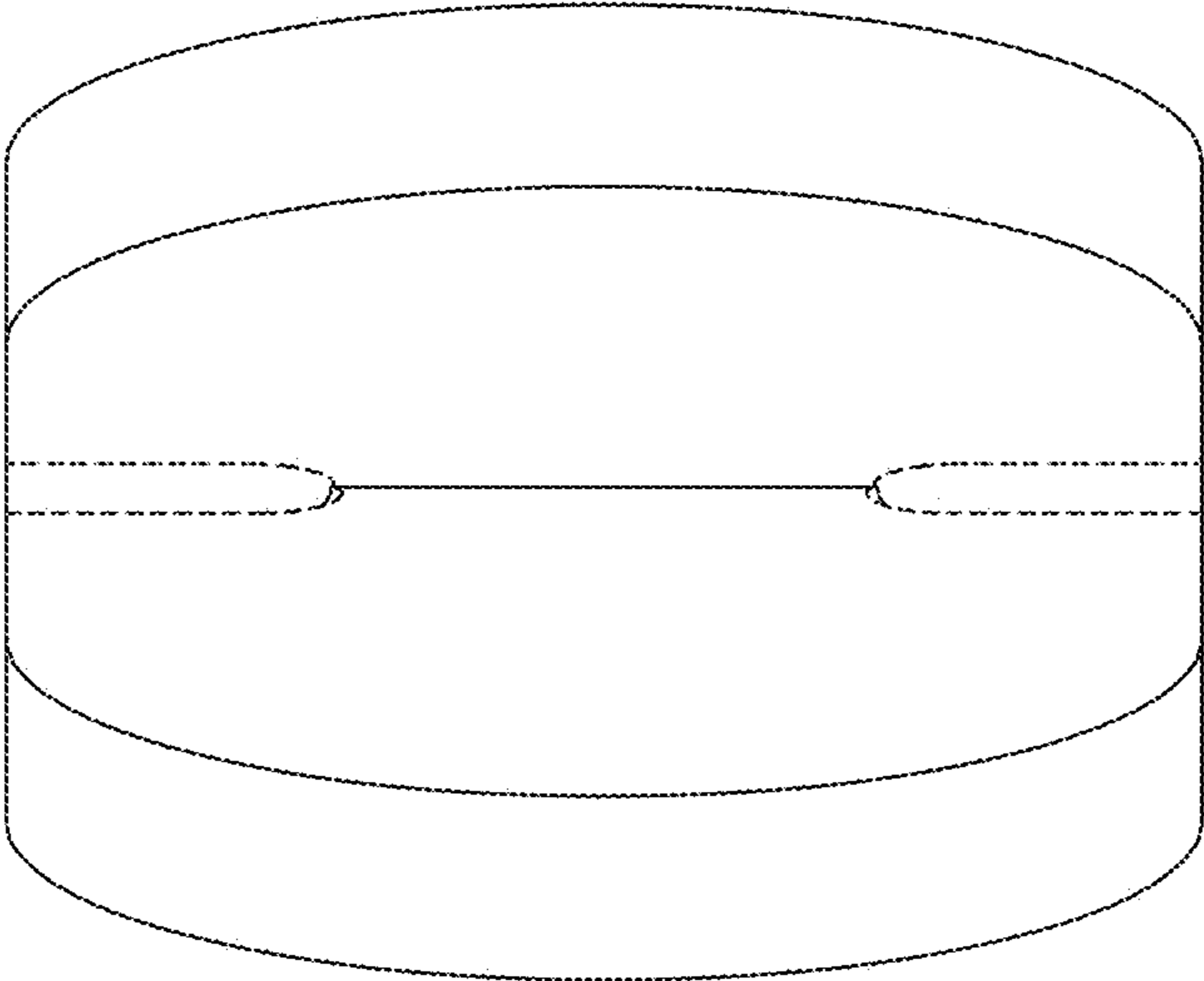


FIG 6

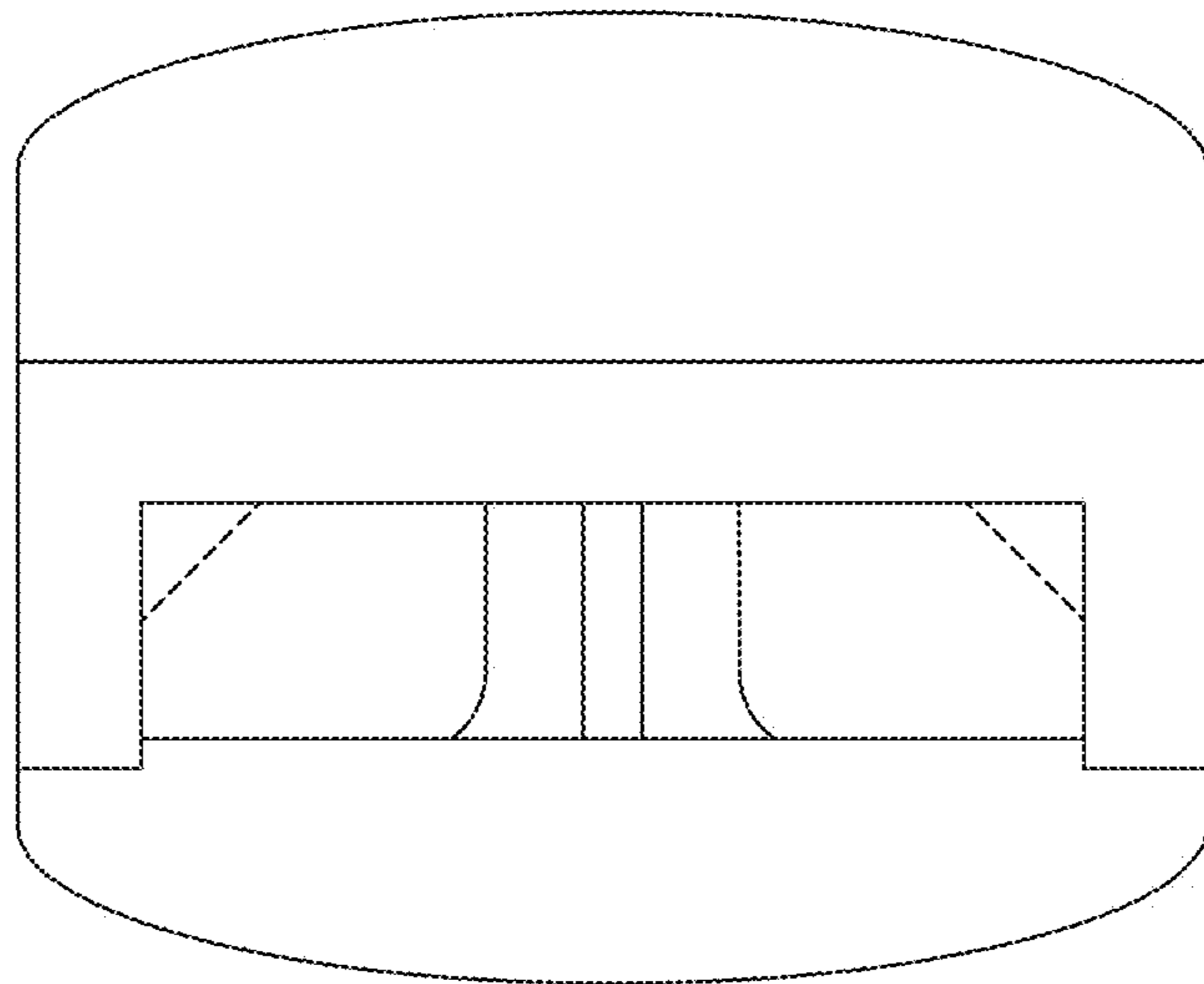


FIG 7



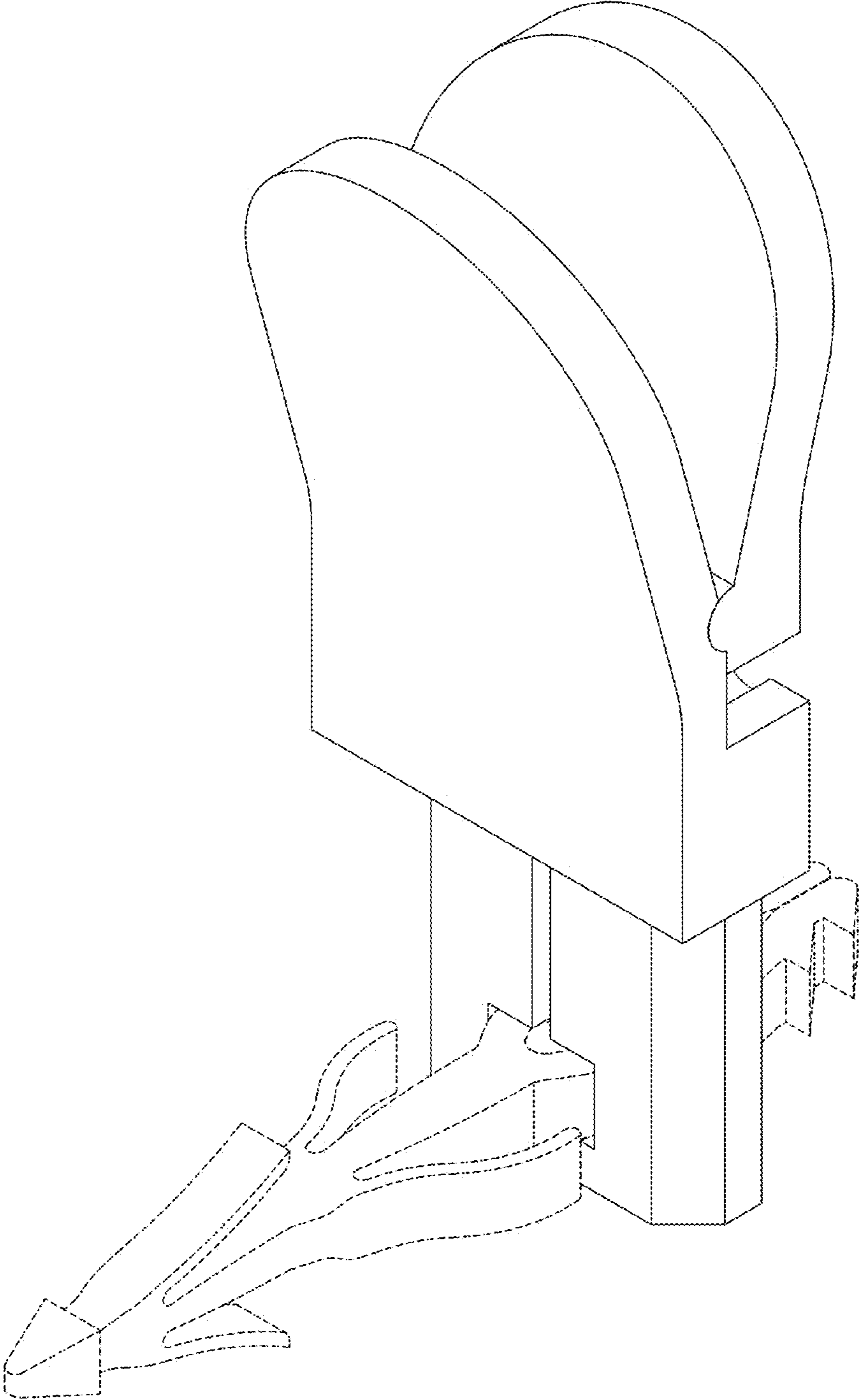


FIG. 8