



US00D760893S

(12) **United States Design Patent**  
**Honda et al.**

(10) **Patent No.:** **US D760,893 S**  
(45) **Date of Patent:** **\*\* Jul. 5, 2016**

(54) <b>MEDICAL NEEDLE CAP</b>	D460,178 S * 7/2002 Courteix ..... D24/130
	6,551,286 B1 * 4/2003 Claessens ..... A61M 5/3202
	128/919
(71) Applicant: <b>NIPRO CORPORATION</b> , Osaka-shi, Osaka (JP)	D581,046 S * 11/2008 Sudo ..... D24/130
	7,468,055 B2 * 12/2008 Prais ..... A61M 5/3202
	604/272
(72) Inventors: <b>Minoru Honda</b> , Osaka (JP); <b>Mitsuru</b> <b>Hasegawa</b> , Osaka (JP)	D612,493 S * 3/2010 Claessens ..... D24/130
	7,717,881 B2 * 5/2010 Caizza ..... A61M 5/3216
	604/164.07
(73) Assignee: <b>NIPRO CORPORATION</b> , Osaka-Shi (JP)	D640,787 S * 6/2011 Chia ..... D24/130
	D654,166 S * 2/2012 Lair ..... D24/129
	D655,001 S * 2/2012 Becker ..... D24/130
	D665,497 S * 8/2012 Marshall ..... D24/130
(**) Term: <b>15 Years</b>	D717,430 S * 11/2014 Shiraishi ..... D24/130

(21) Appl. No.: **29/528,971**

**FOREIGN PATENT DOCUMENTS**

(22) Filed: **Jun. 2, 2015**

JP	916482 S	1/1995
JP	1317982	12/2007

(30) **Foreign Application Priority Data**

\* cited by examiner

Dec. 3, 2014 (JP) ..... 2014-026995

*Primary Examiner* — David Muller

(51) **LOC (10) Cl.** ..... **24-02**

(74) *Attorney, Agent, or Firm* — Birch, Stewart, Kolasch & Birch, LLP

(52) **U.S. Cl.**  
USPC ..... **D24/130**

(58) **Field of Classification Search**  
USPC ..... D24/127–131, 112–114, 133, 186;  
606/181, 185; 604/264, 523–528, 272,  
604/187, 158, 164.01–164.11, 181, 184,  
604/227; 600/101, 139, 143; 128/200.24,  
128/207.14, 207.15

(57) **CLAIM**

The ornamental design for a medical needle cap, as shown and described.

CPC ..... A61M 5/178; A61M 3/00; A61M 5/20;  
A61M 5/31; A61M 5/3146; A61M 5/3129;  
A61M 5/3148; A61M 5/315

**DESCRIPTION**

See application file for complete search history.

FIG. 1 is a perspective view of a medical needle cap showing my new design;  
FIG. 2 is a front view thereof;  
FIG. 3 is a left side view thereof;  
FIG. 4 is a top plan view thereof;  
FIG. 5 is a bottom plan view thereof; and,  
FIG. 6 is a cross-sectional view of the portion VI-VI of FIG. 2.

(56) **References Cited**

**U.S. PATENT DOCUMENTS**

D299,865 S *	2/1989	Kamstrup-Larsen	.....	D24/130
D303,013 S *	8/1989	Konopka	.....	D24/129

**1 Claim, 4 Drawing Sheets**

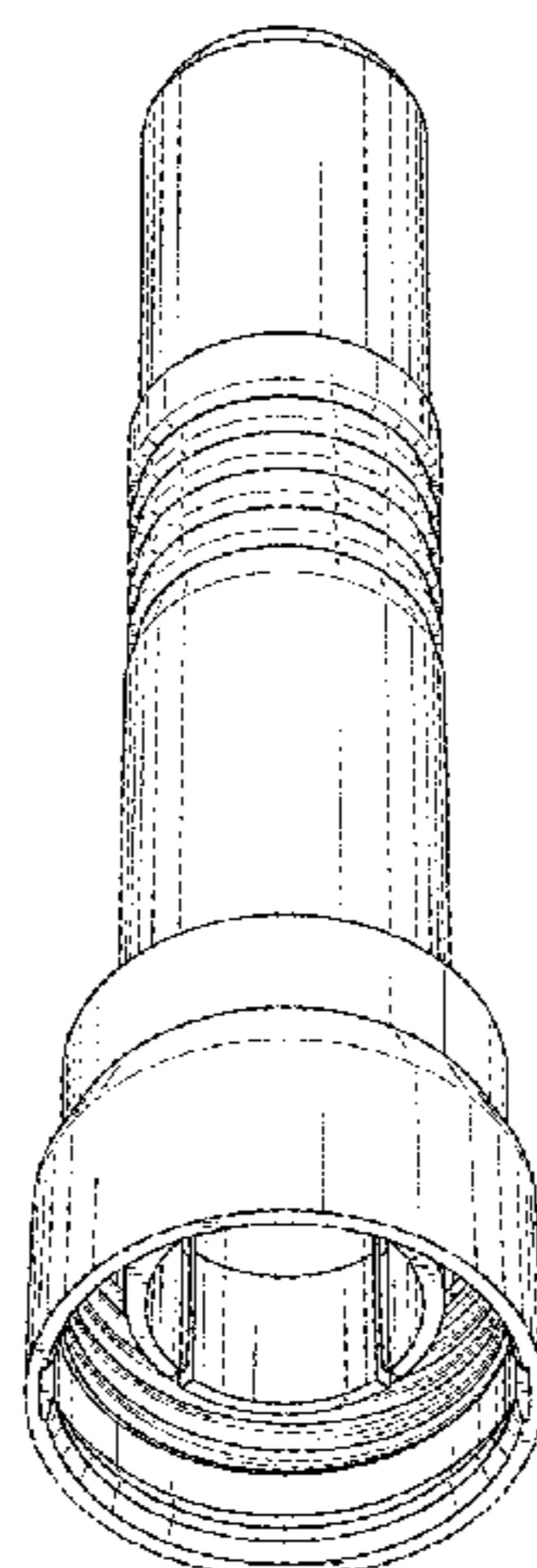


FIG. 1

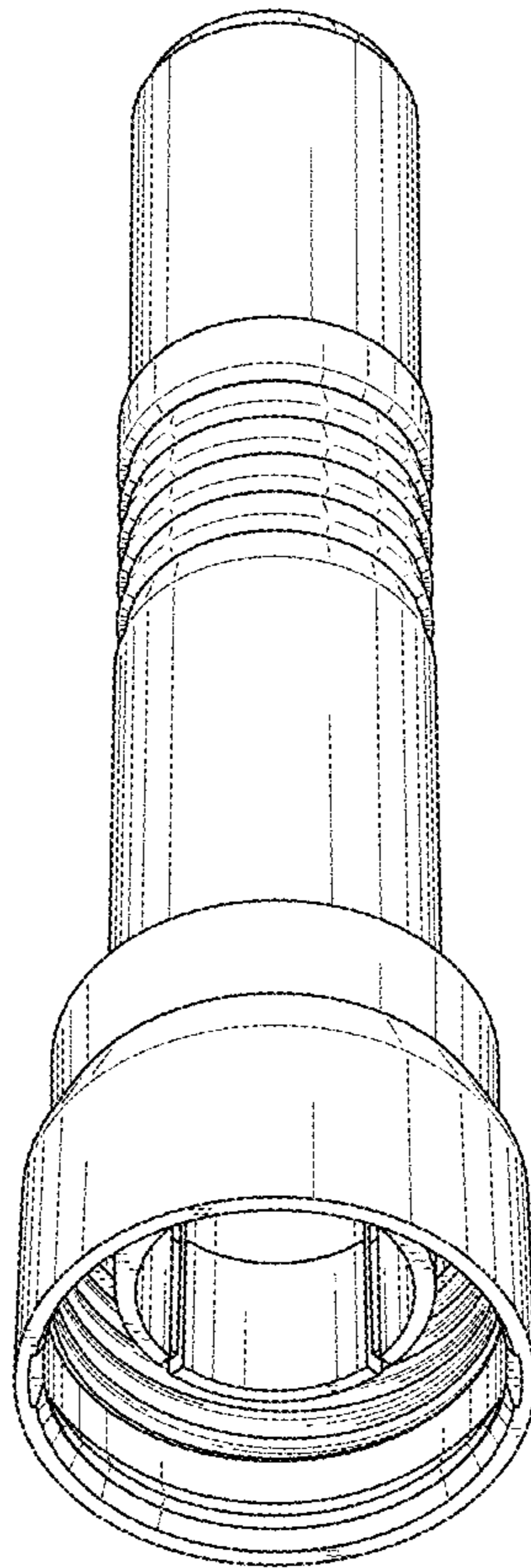


FIG.2

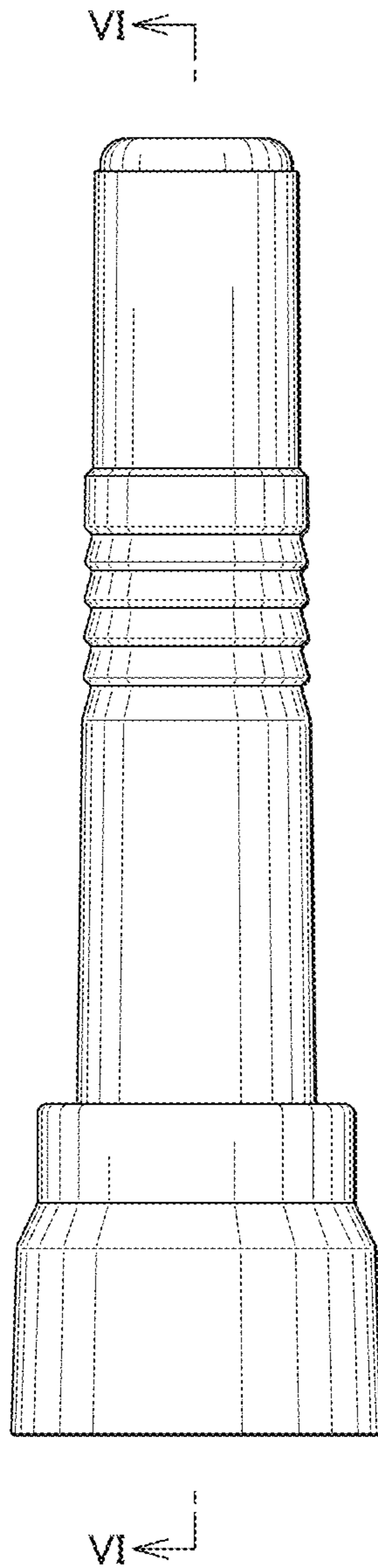


FIG.3

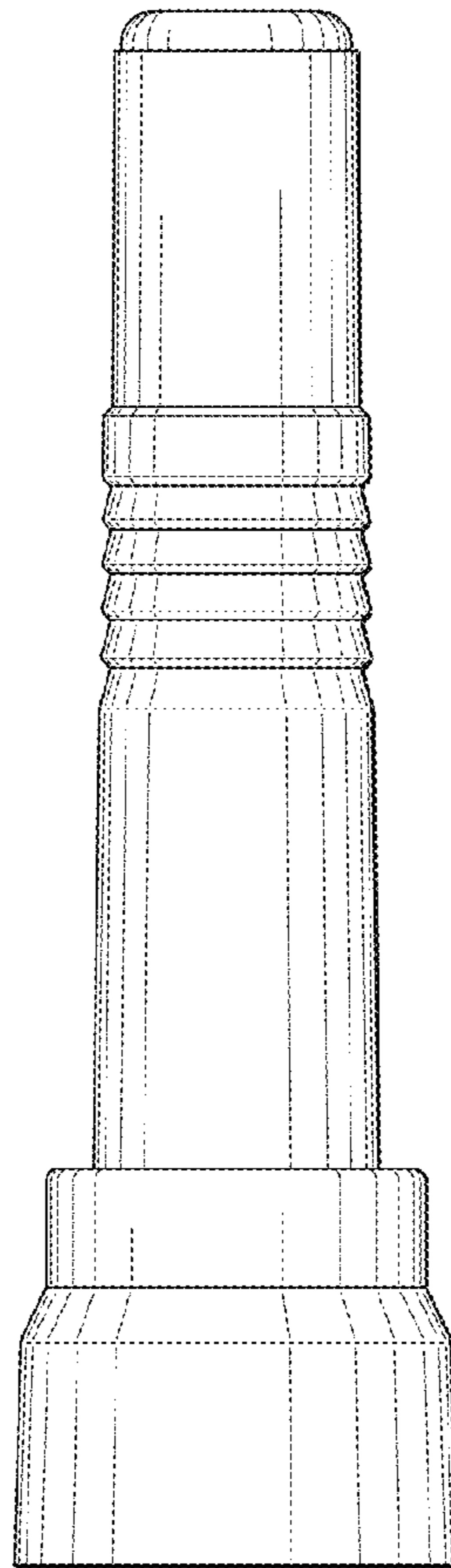


FIG.4

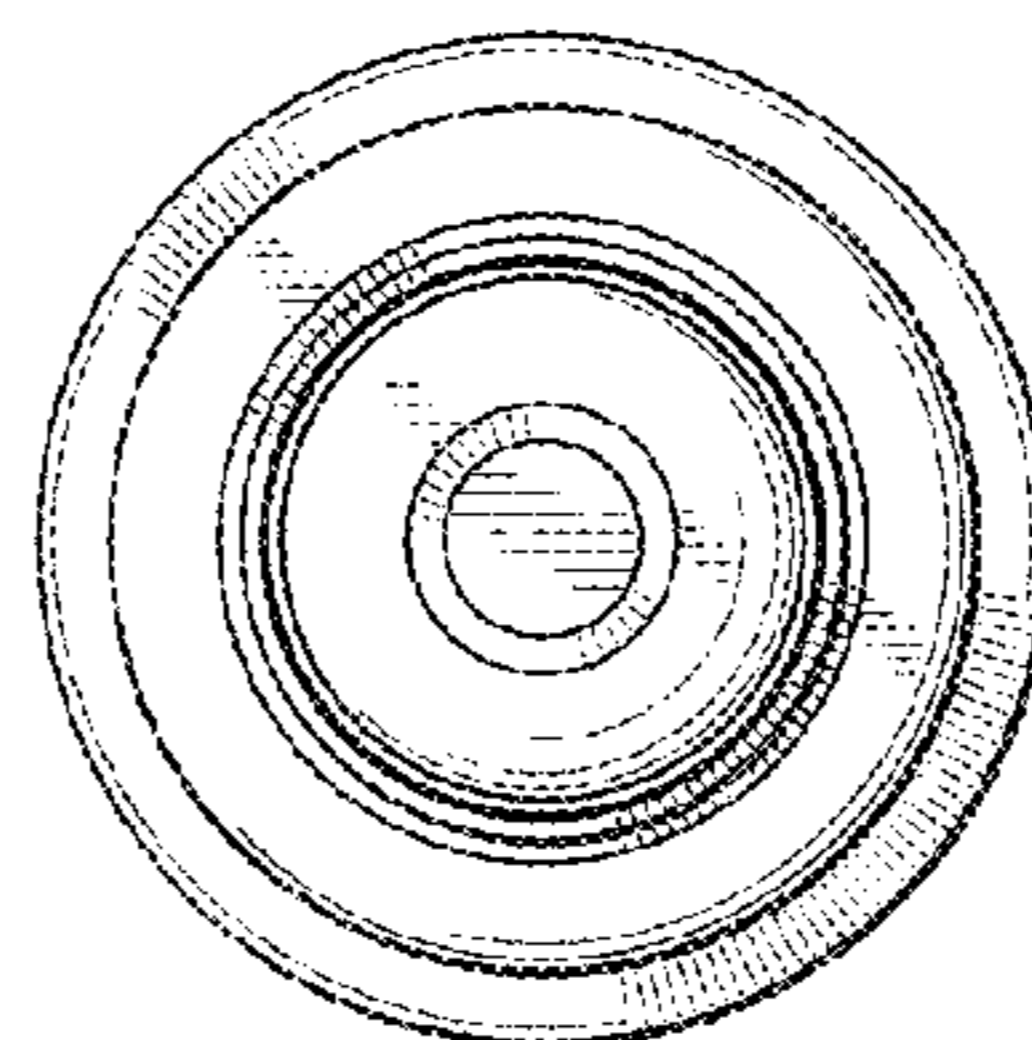


FIG.5

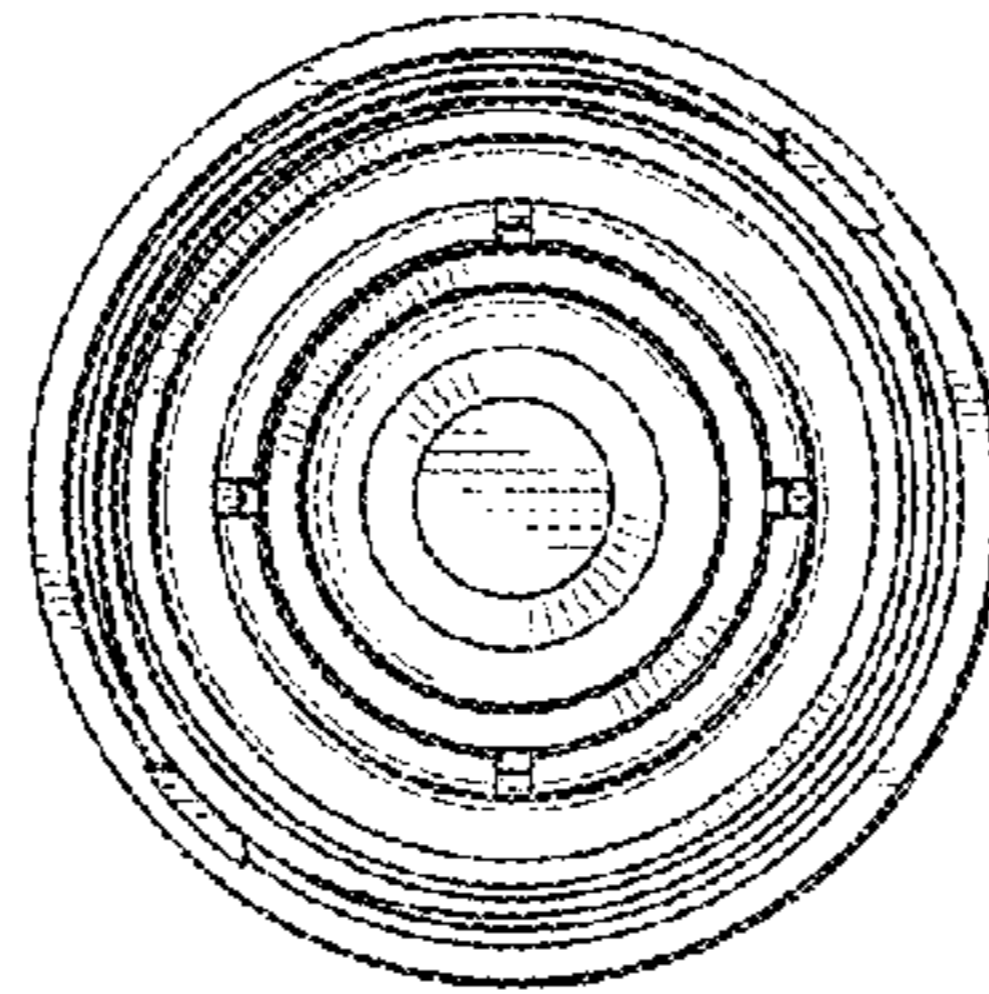


FIG.6

