



US00D760890S

(12) **United States Design Patent**
Guala

(10) **Patent No.:** **US D760,890 S**

(45) **Date of Patent:** **** Jul. 5, 2016**

(54) **DRIP CHAMBER FOR MEDICAL LINES**

(56) **References Cited**

(71) Applicant: **INDUSTRIE BORLA S.p.A.**,
Moncalieri (Torino) (IT)

U.S. PATENT DOCUMENTS

(72) Inventor: **Gianni Guala**, Turin (IT)

D462,763 S *	9/2002	Swenson	D24/130
D467,340 S *	12/2002	Mayer	D24/133
D562,977 S *	2/2008	Forlenza	D24/133
D569,508 S *	5/2008	Bacher	D24/133
D587,803 S *	3/2009	Di Sessa	D24/133
D588,693 S *	3/2009	Strong	D24/112
D591,417 S *	4/2009	Nichetti	D24/108
D597,668 S *	8/2009	Woodruff	D24/133
D605,282 S *	12/2009	Nichetti	D24/108
D636,489 S *	4/2011	D'Agostino	D24/130
D678,522 S *	3/2013	Gustavsson	D24/130
D683,842 S *	6/2013	Wang	D24/108
D718,441 S *	11/2014	Carus	D24/133

(73) Assignee: **INDUSTRIE BORLA S.P.A.**,
Moncalieri (Torino) (IT)

(**) Term: **14 Years**

(21) Appl. No.: **29/497,877**

(22) Filed: **Jul. 29, 2014**

* cited by examiner

(30) **Foreign Application Priority Data**

Jan. 29, 2014 (EM) 00239481

(51) **LOC (10) Cl.** **24-02**

(52) **U.S. Cl.**
USPC **D24/112**

(58) **Field of Classification Search**
USPC D24/112-114, 108, 130, 127, 133, 186;
606/181, 185; 604/264, 523-528, 272,
604/164.01-164.11, 187, 93.01; 600/101,
600/139, 143; 128/200.24, 207.14, 207.15
CPC . A61M 25/065; A61M 5/42; A61M 25/0612;
A61M 25/00; A61M 39/00; A61M 27/00;
A61M 25/0043; A61M 25/0067; A61M
25/0097; A61F 2/958

See application file for complete search history.

Primary Examiner — David Muller

(74) *Attorney, Agent, or Firm* — Heslin Rothenberg Farley
& Mesiti, P.C.; Victor A. Cardona, Esq.

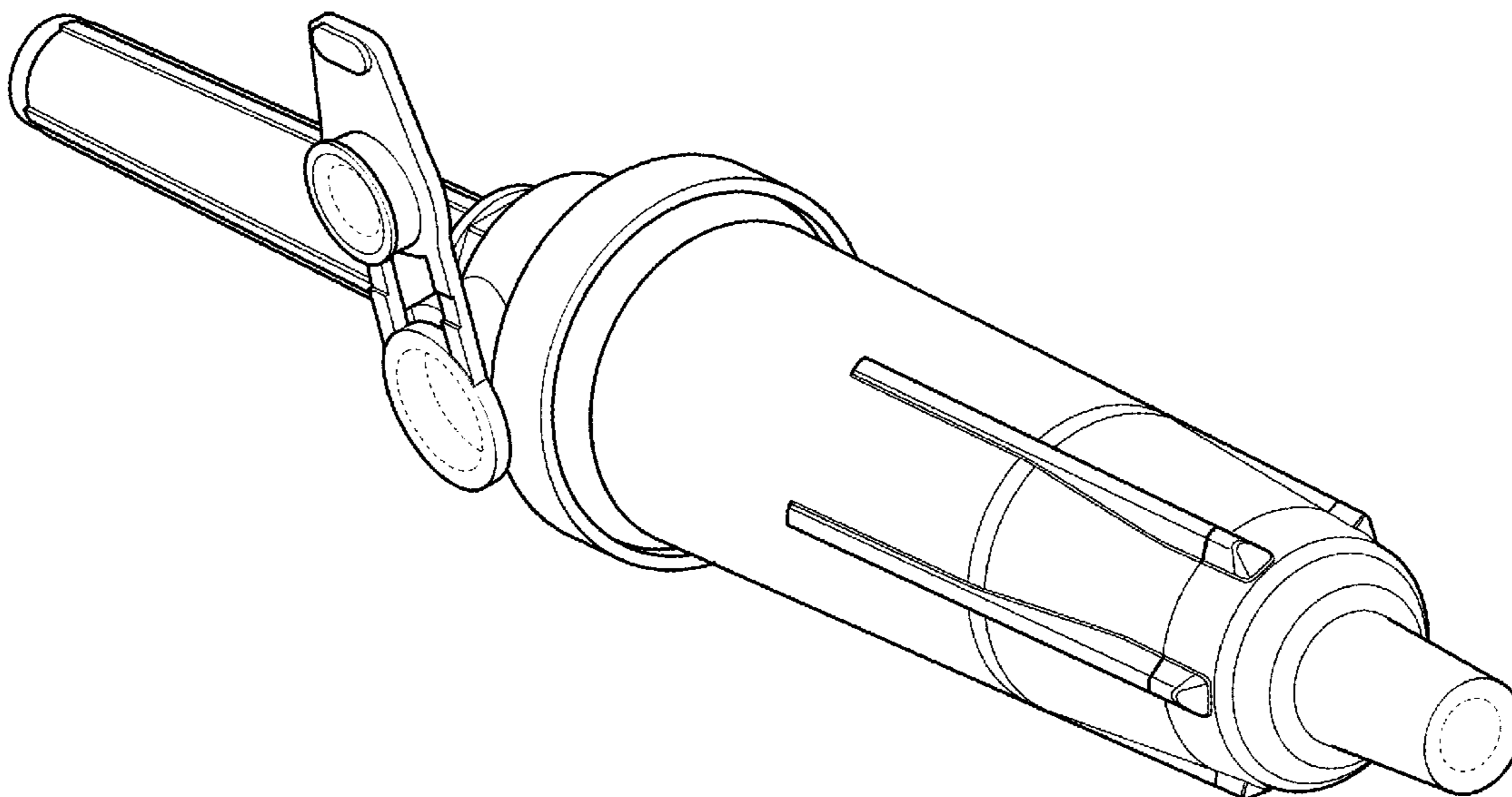
(57) **CLAIM**

The ornamental design for a drip chamber for medical lines,
as shown and described.

DESCRIPTION

FIG. 1 is a perspective view of a drip chamber comprising the
new design;
FIG. 2 is a top plan view thereof;
FIG. 3 is a bottom plan view thereof;
FIG. 4 is a left side elevation view thereof;
FIG. 5 is right side elevation view thereof;
FIG. 6 is a front elevation view thereof; and,
FIG. 7 is a rear elevation view thereof.
The broken lines shown in the drawings illustrate portions of
the drip chamber for medical lines that form no part of the
claimed design.

1 Claim, 7 Drawing Sheets



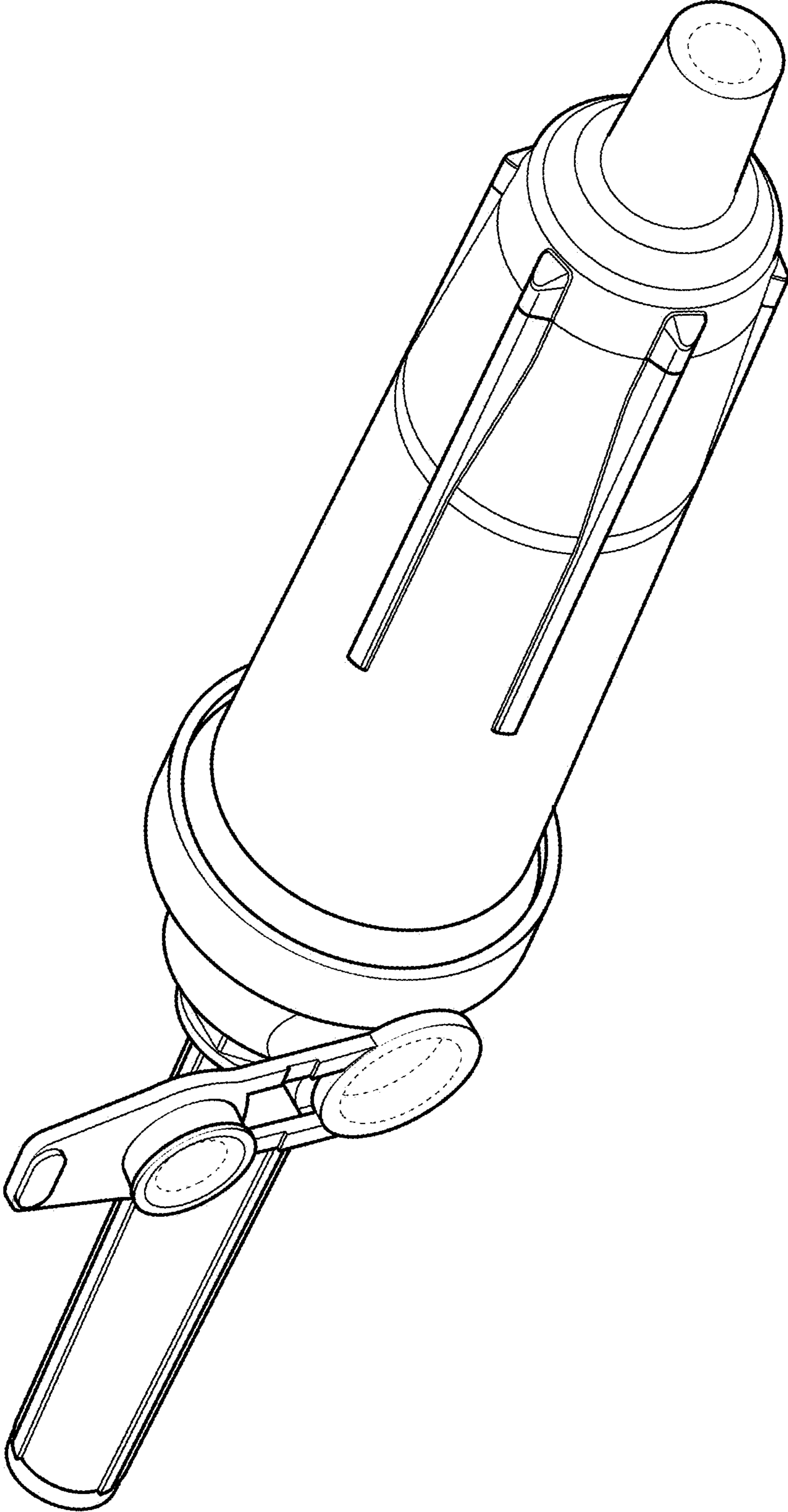


FIG. 1

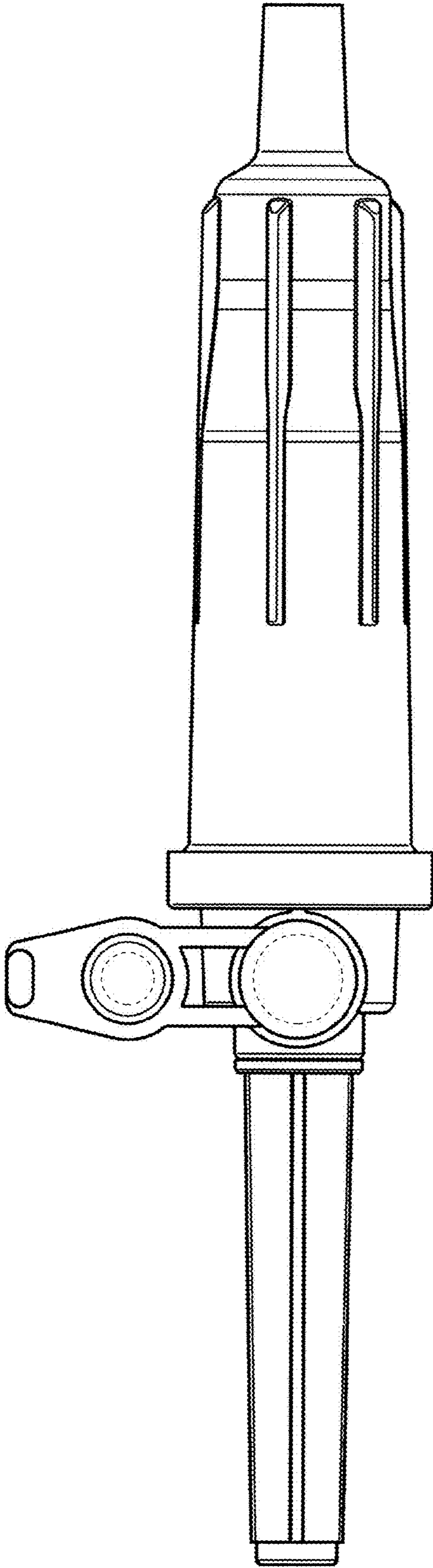


FIG. 2

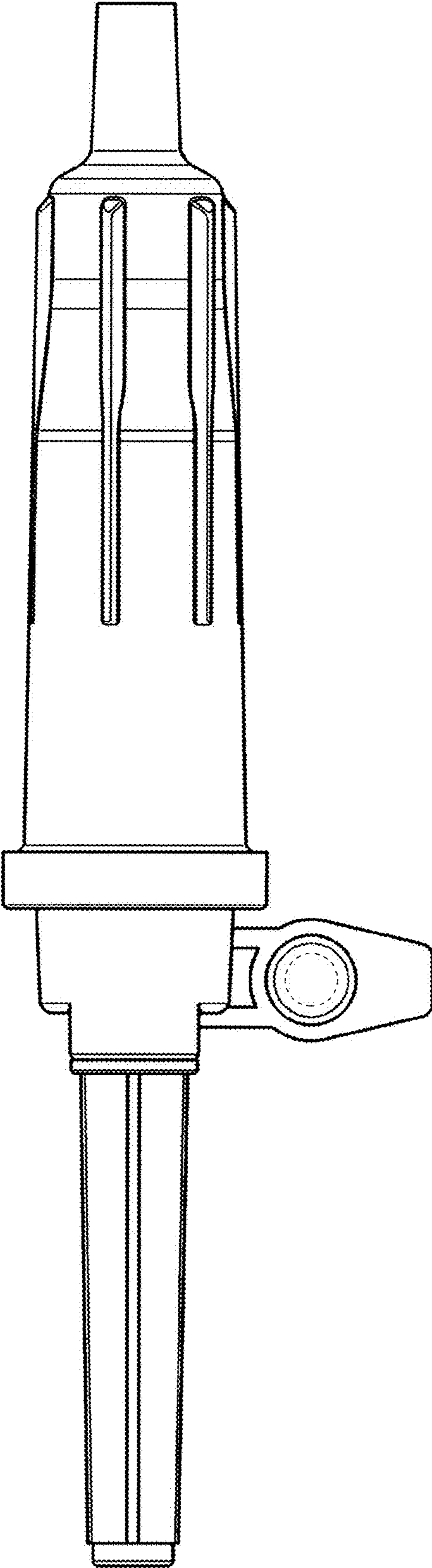


FIG. 3

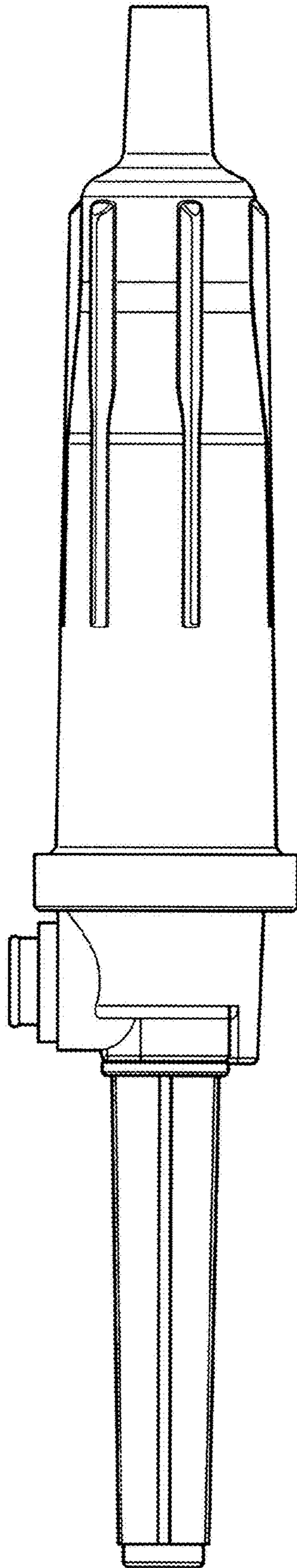


FIG. 4

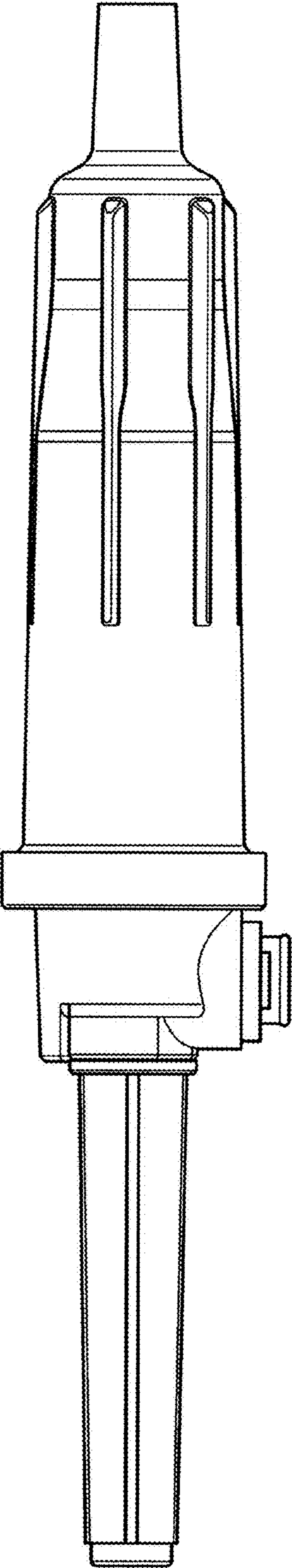


FIG. 5

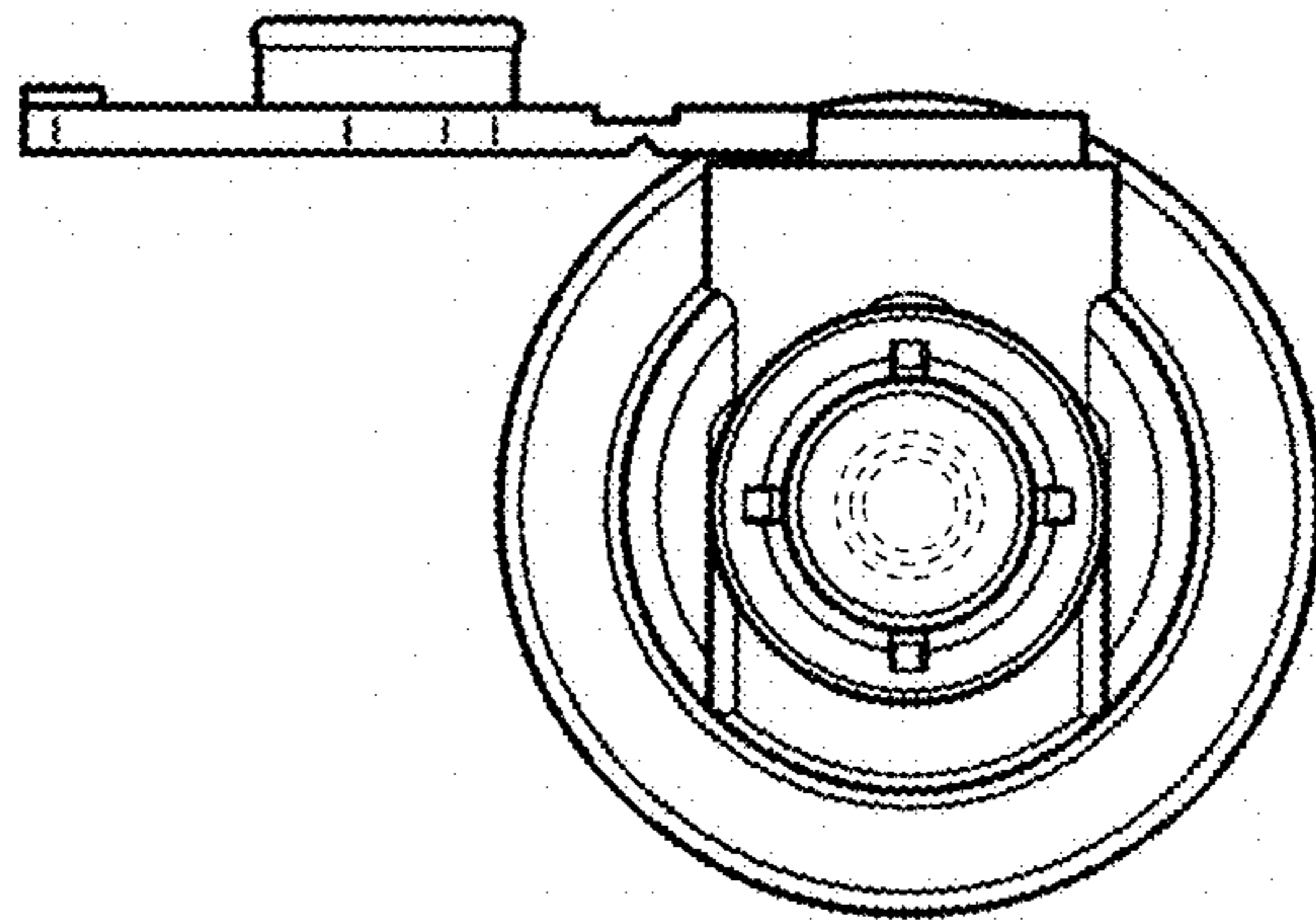


FIG. 6

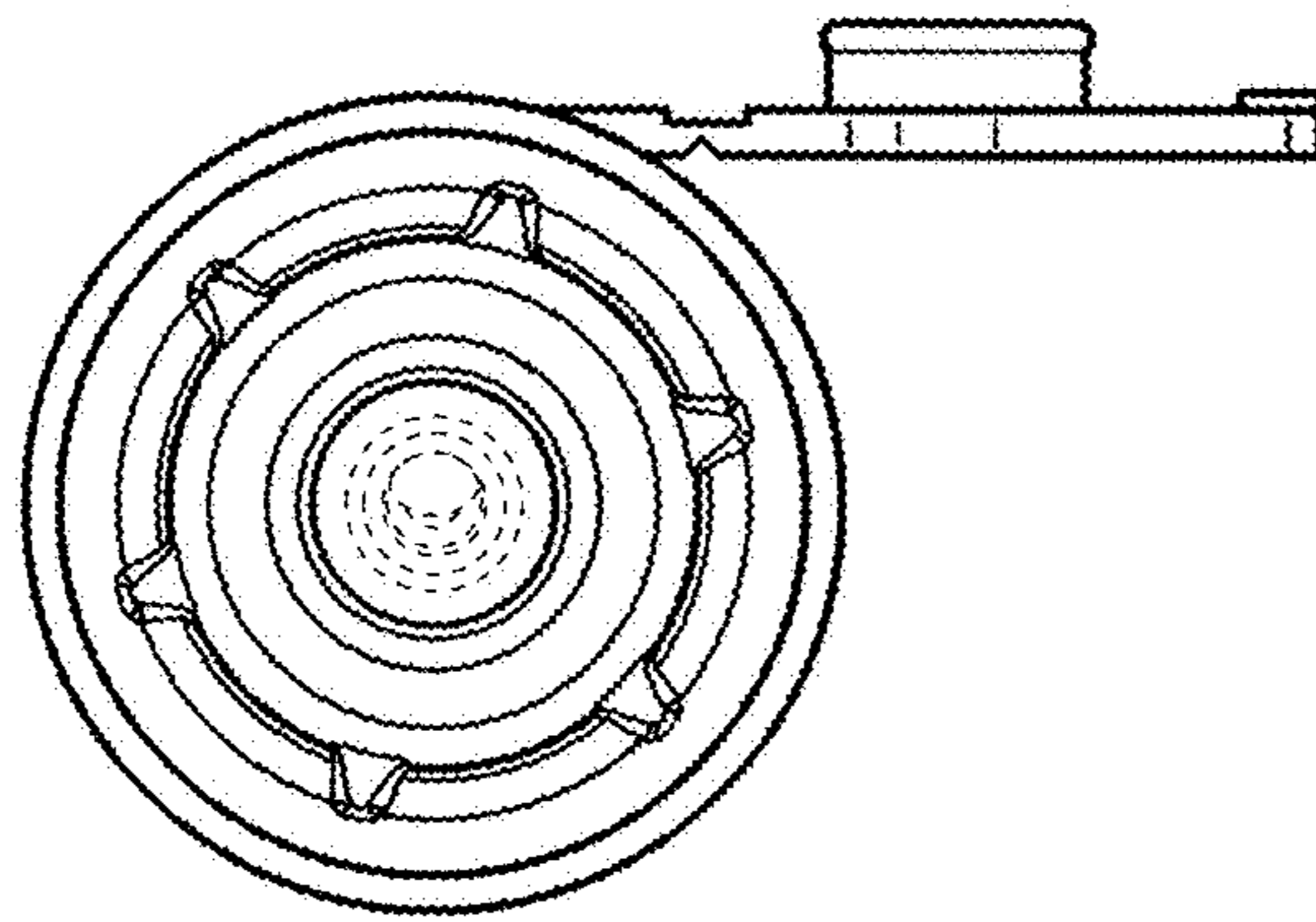


FIG. 7