



US00D760883S

(12) **United States Design Patent**
Mann

(10) **Patent No.:** **US D760,883 S**
(45) **Date of Patent:** **** Jul. 5, 2016**

(54) **AIR PURIFIER**

(71) Applicant: **Peter Allen Mann**, Austin, TX (US)

(72) Inventor: **Peter Allen Mann**, Austin, TX (US)

(73) Assignee: **ORANSI, LLC**, Austin, TX (US)

(**) Term: **14 Years**

(21) Appl. No.: **29/462,499**

(22) Filed: **Aug. 5, 2013**

(51) **LOC (10) Cl.** **23-04**

(52) **U.S. Cl.**
USPC **D23/364**

(58) **Field of Classification Search**
USPC D23/314, 325, 329, 333, 334, 335, 342,
D23/355, 356, 358, 359, 364, 386, 387, 388,
D23/389, 390, 391; D14/214, 225, 235,
D14/237, 240, 241, 255, 356, 362
CPC A61L 9/00; A61L 9/20; A61L 9/205;
A61L 9/01; A61L 9/015; A61L 9/14; A61L
9/16; F24F 1/00; F24F 3/16; F24F 3/166;
F24F 3/1603; F24F 3/14; F24F 3/12; F24F
7/00; B03C 1/00; B03C 3/32; B03C 3/15;
B03C 3/155; B03C 3/16
See application file for complete search history.

(56) **References Cited**

U.S. PATENT DOCUMENTS

D164,670 S * 10/1951 Churan et al. D23/335
D275,029 S * 8/1984 Boldt et al. D23/335
D298,770 S * 11/1988 DeMars D23/314
D440,644 S * 4/2001 Potnis et al. D23/359
6,946,103 B1 * 9/2005 Spiegel 422/186

D537,512 S * 2/2007 Nakajima D23/359
D542,289 S * 5/2007 Diebel D14/356
D549,308 S * 8/2007 Chiu D23/333
D557,783 S * 12/2007 Yoo et al. D23/359
D572,810 S * 7/2008 Chiu D23/333
D583,450 S 12/2008 Choi
D587,926 S * 3/2009 Federman D6/432
D590,487 S * 4/2009 Chen D23/333
D599,345 S * 9/2009 Ko et al. D14/356
D606,184 S * 12/2009 Chiu D23/359
D619,689 S * 7/2010 Bartlett et al. D23/329
D621,019 S * 8/2010 Kim et al. D23/356
D633,186 S * 2/2011 Fan D23/333
D651,300 S * 12/2011 Xu et al. D23/342
D669,473 S * 10/2012 Gronau et al. D14/420
D690,803 S * 10/2013 Koivisto et al. D23/364
D692,542 S * 10/2013 Robinet et al. D23/329

* cited by examiner

Primary Examiner — Eric Goodman
Assistant Examiner — Bao-Yen Nguyen

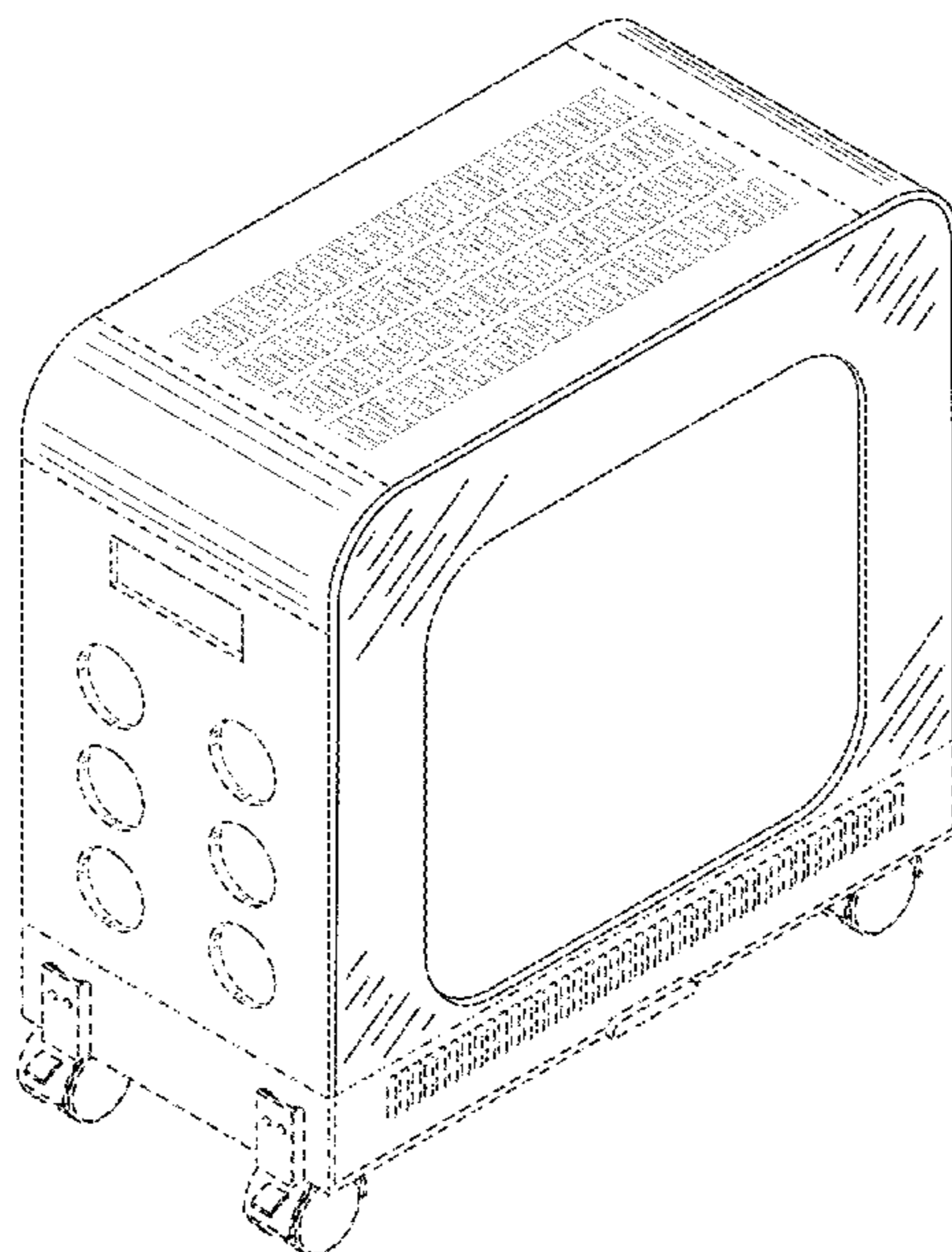
(57) **CLAIM**

The ornamental design for an air purifier, as shown and described.

DESCRIPTION

FIG. 1 is a right side elevation view of the air purifier;
FIG. 2 is a left side elevation view of the air purifier;
FIG. 3 is a front end elevation view of the air purifier;
FIG. 4 is a rear end elevation view of the air purifier;
FIG. 5 is a top plan view of the air purifier;
FIG. 6 is a bottom plan view of the air purifier;
FIG. 7 is a right rear perspective view of the air purifier; and,
FIG. 8 is a right front perspective view of the air purifier.
The broken lines depict portions of the air purifier and form no part of the claimed design.

1 Claim, 5 Drawing Sheets



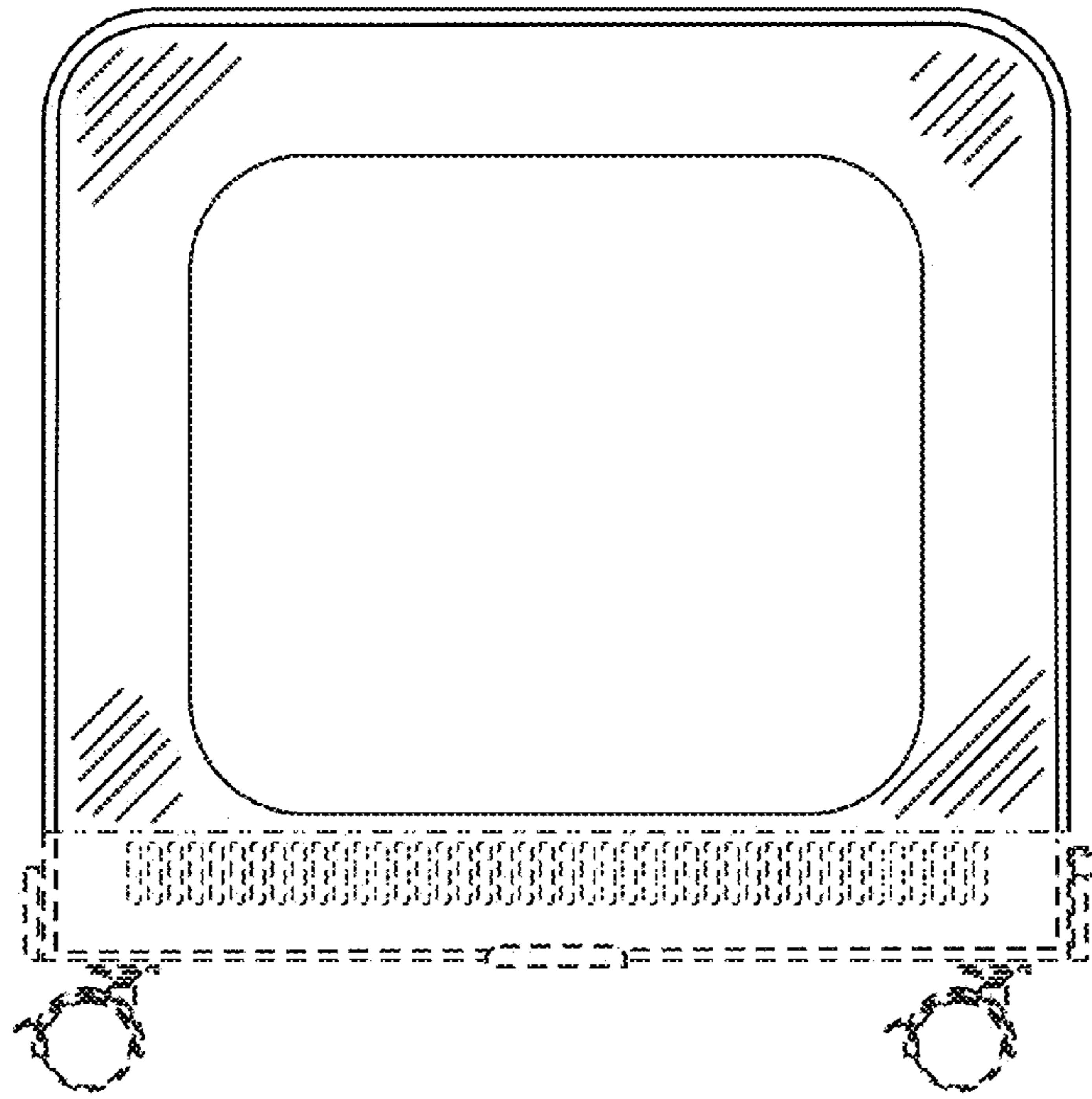


FIG. 1

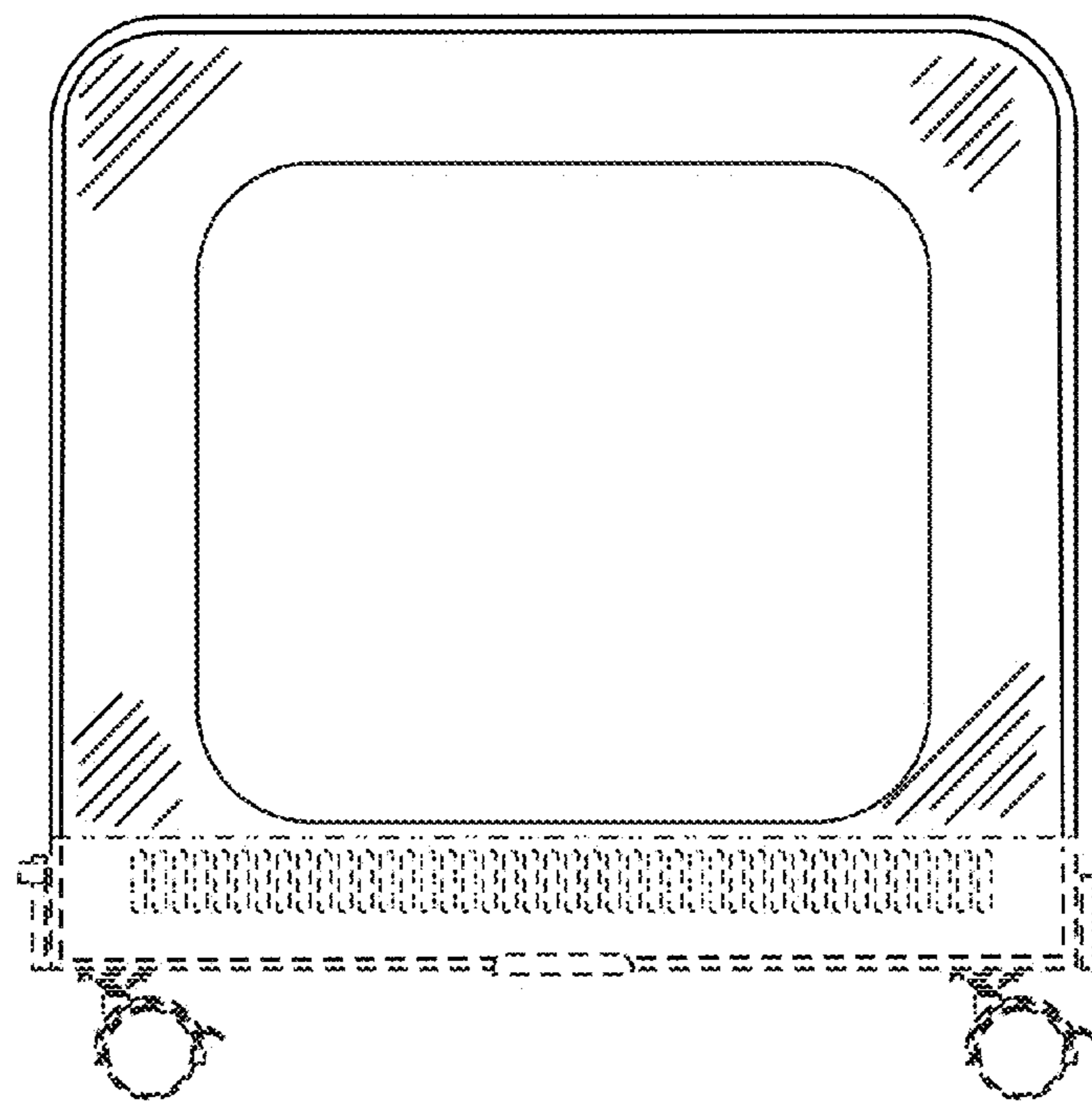


FIG. 2

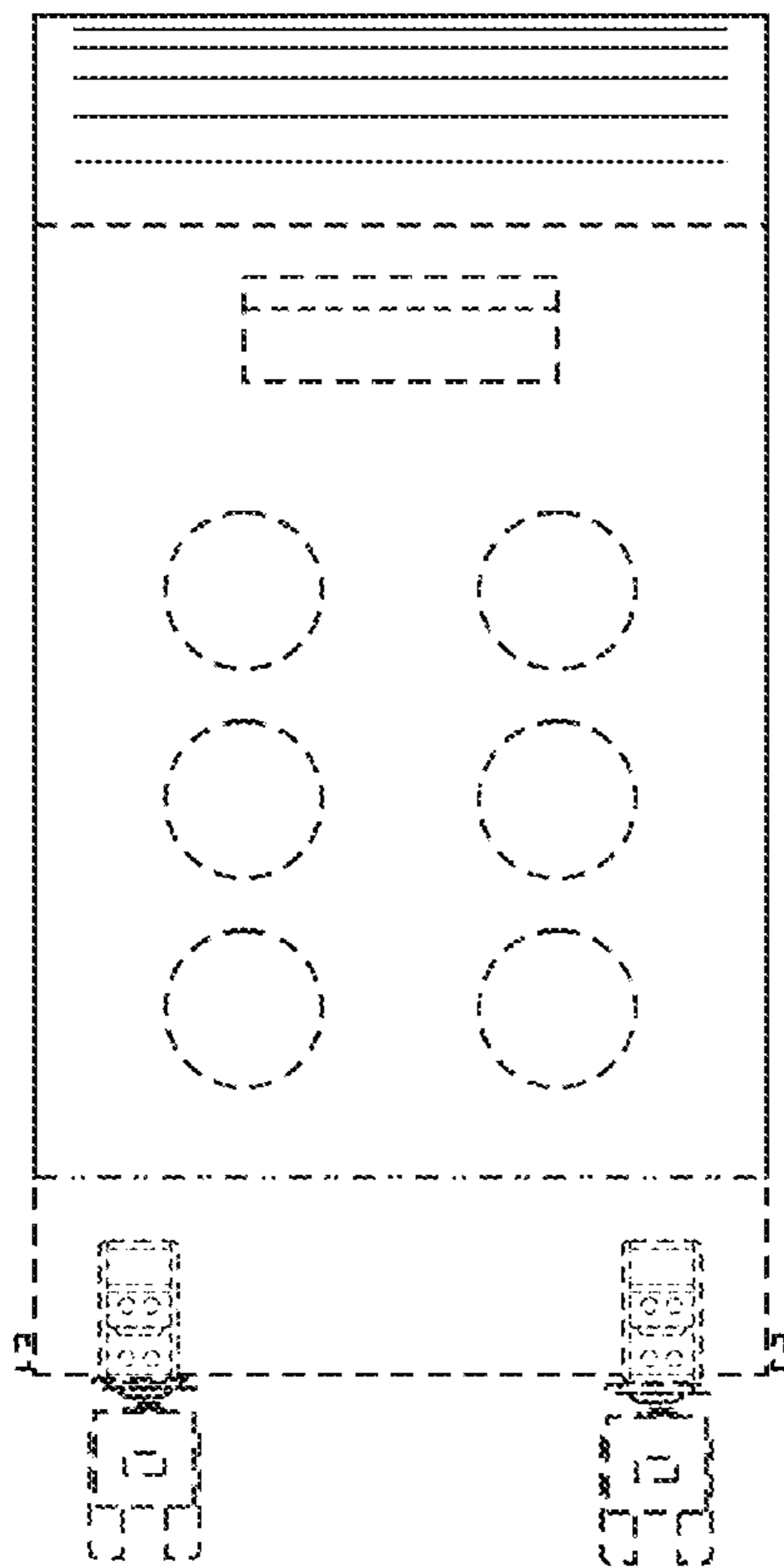


FIG. 3

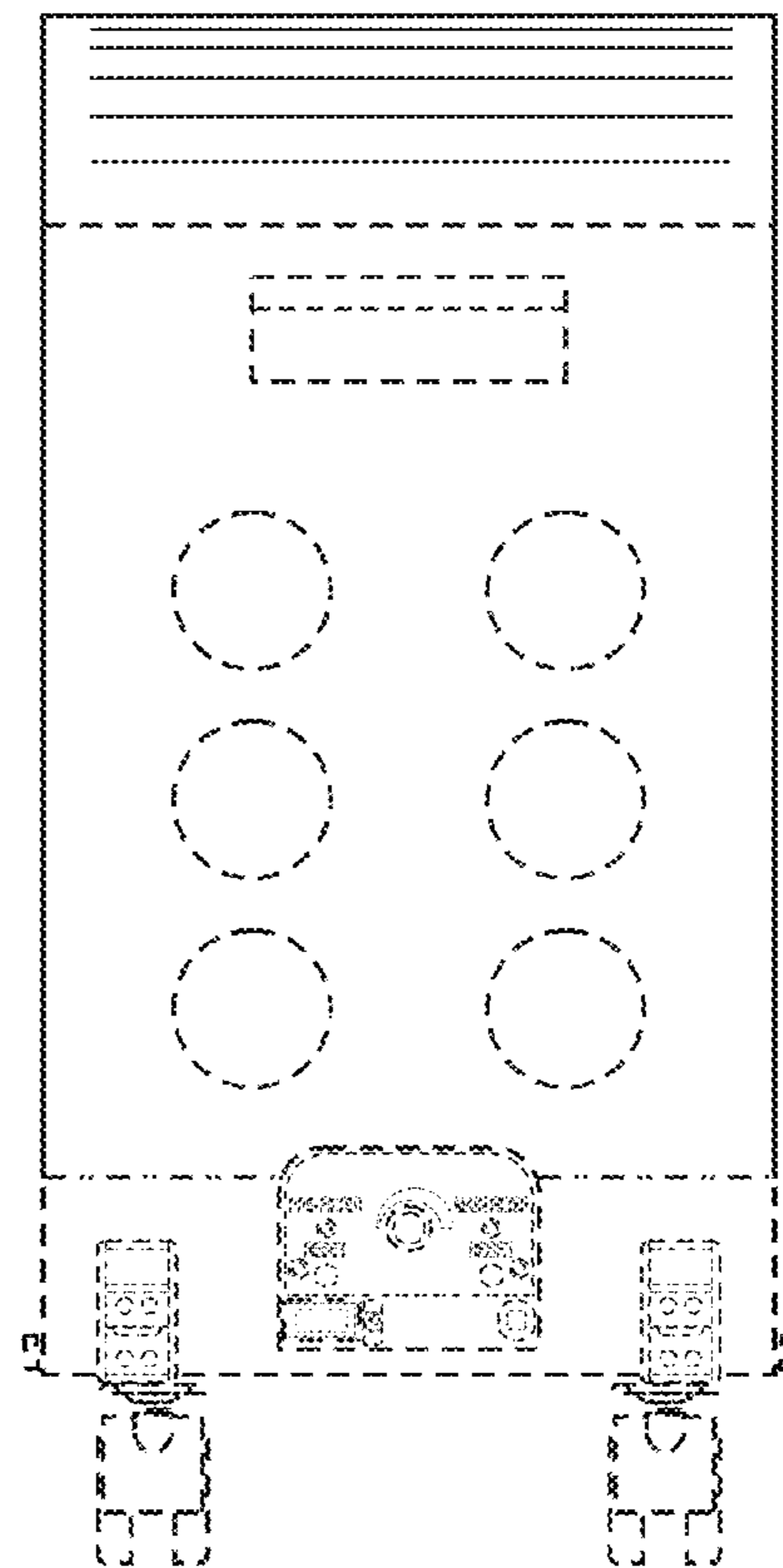


FIG. 4

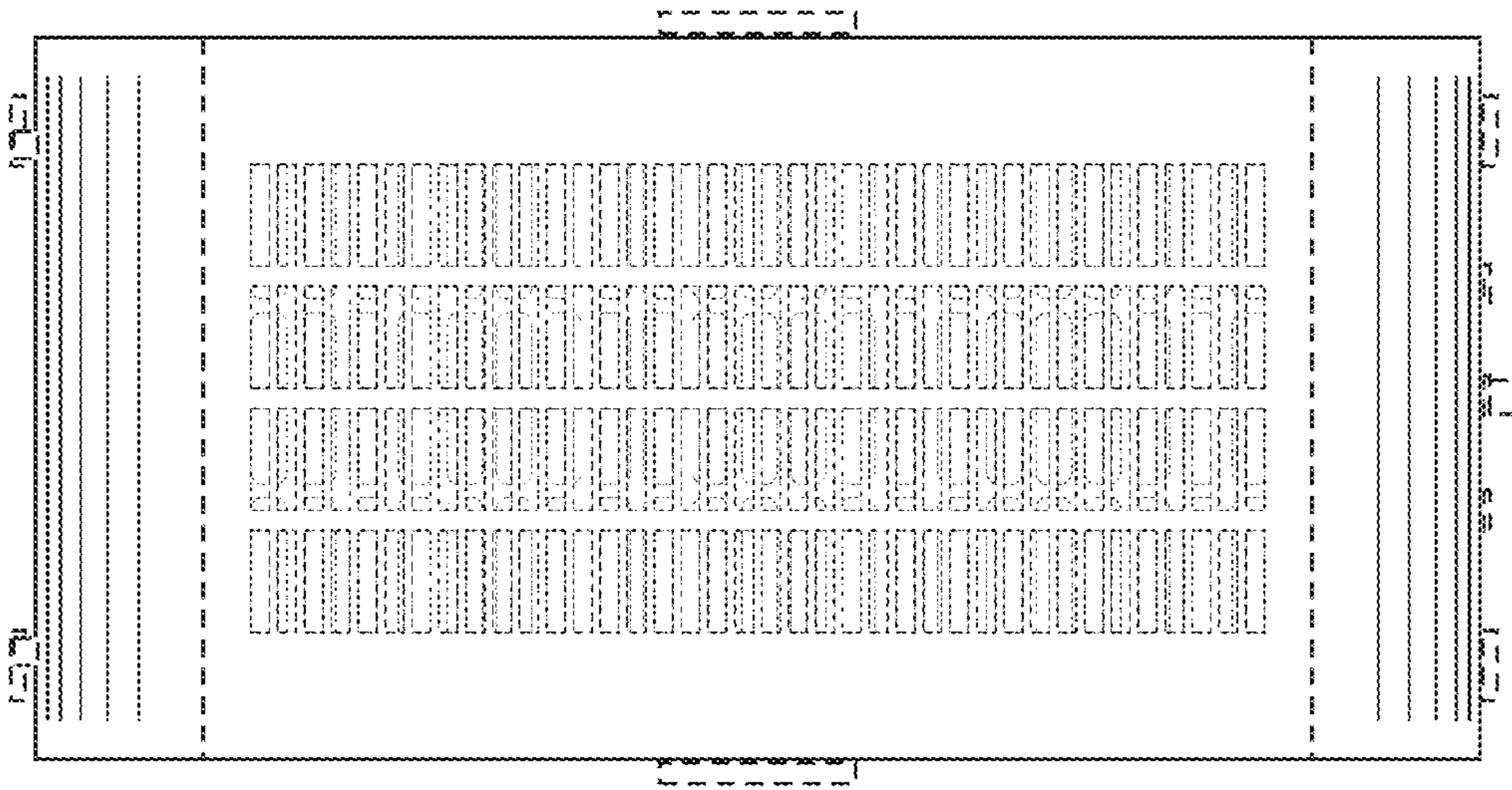


FIG. 5

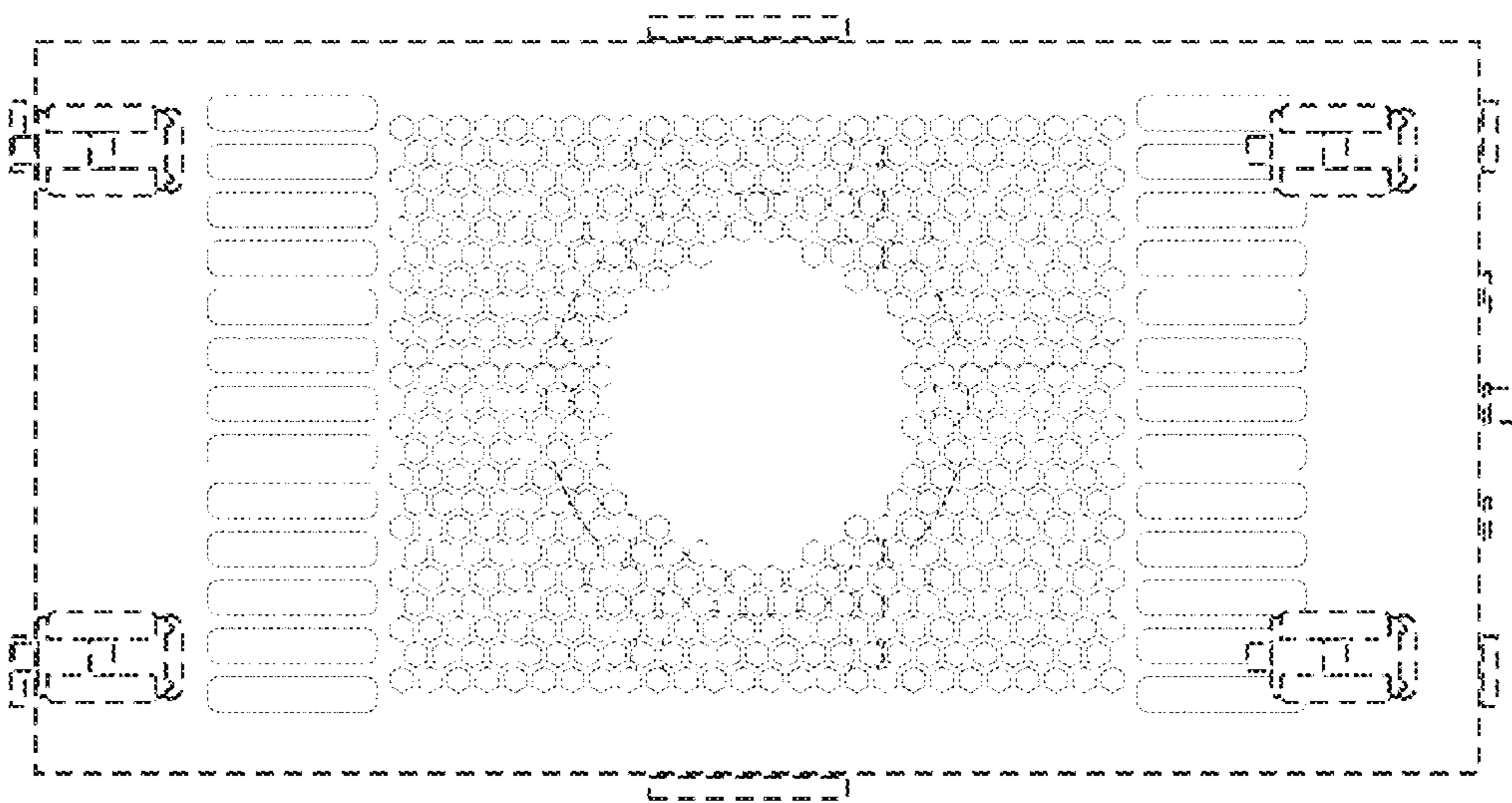


FIG. 6

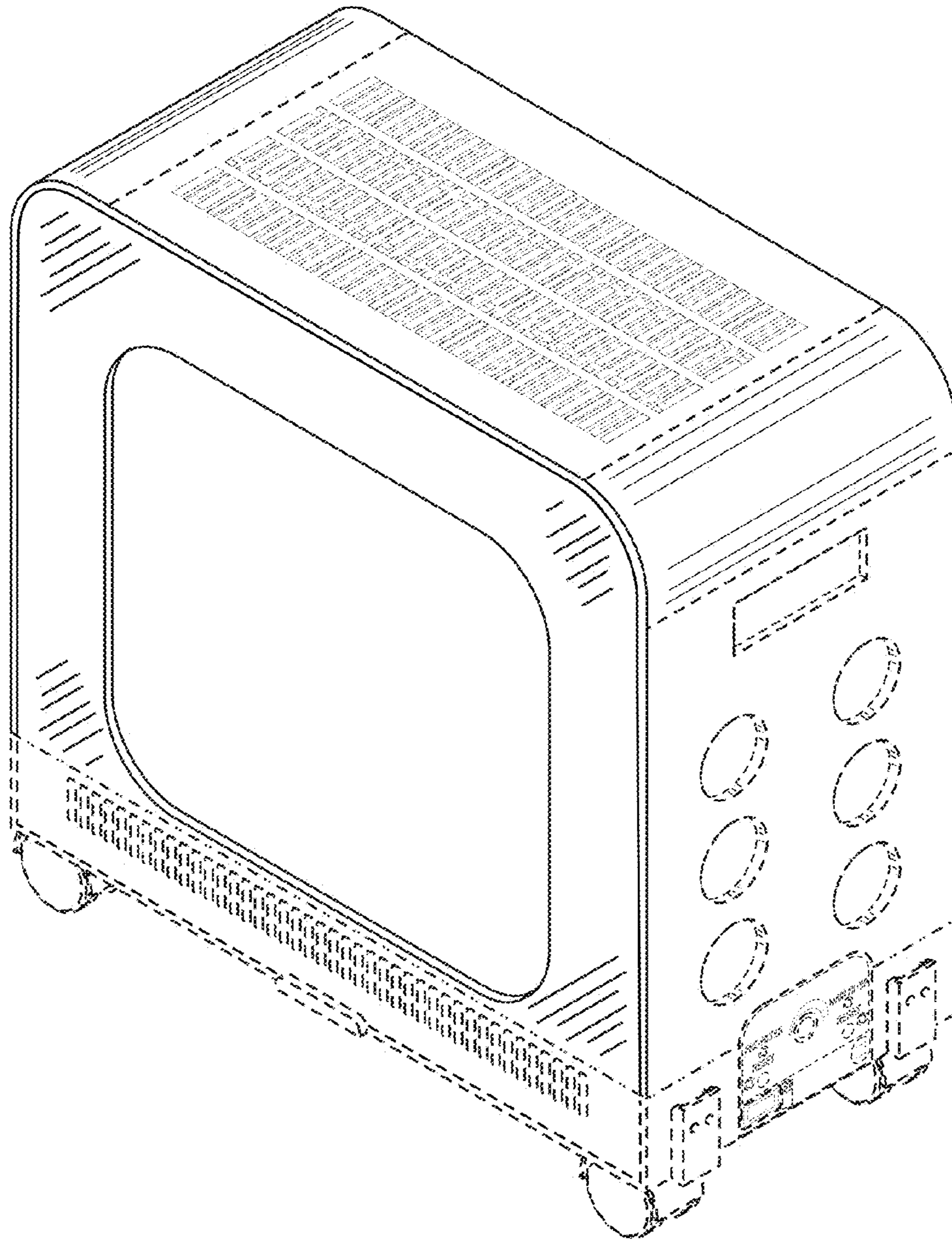


FIG. 7

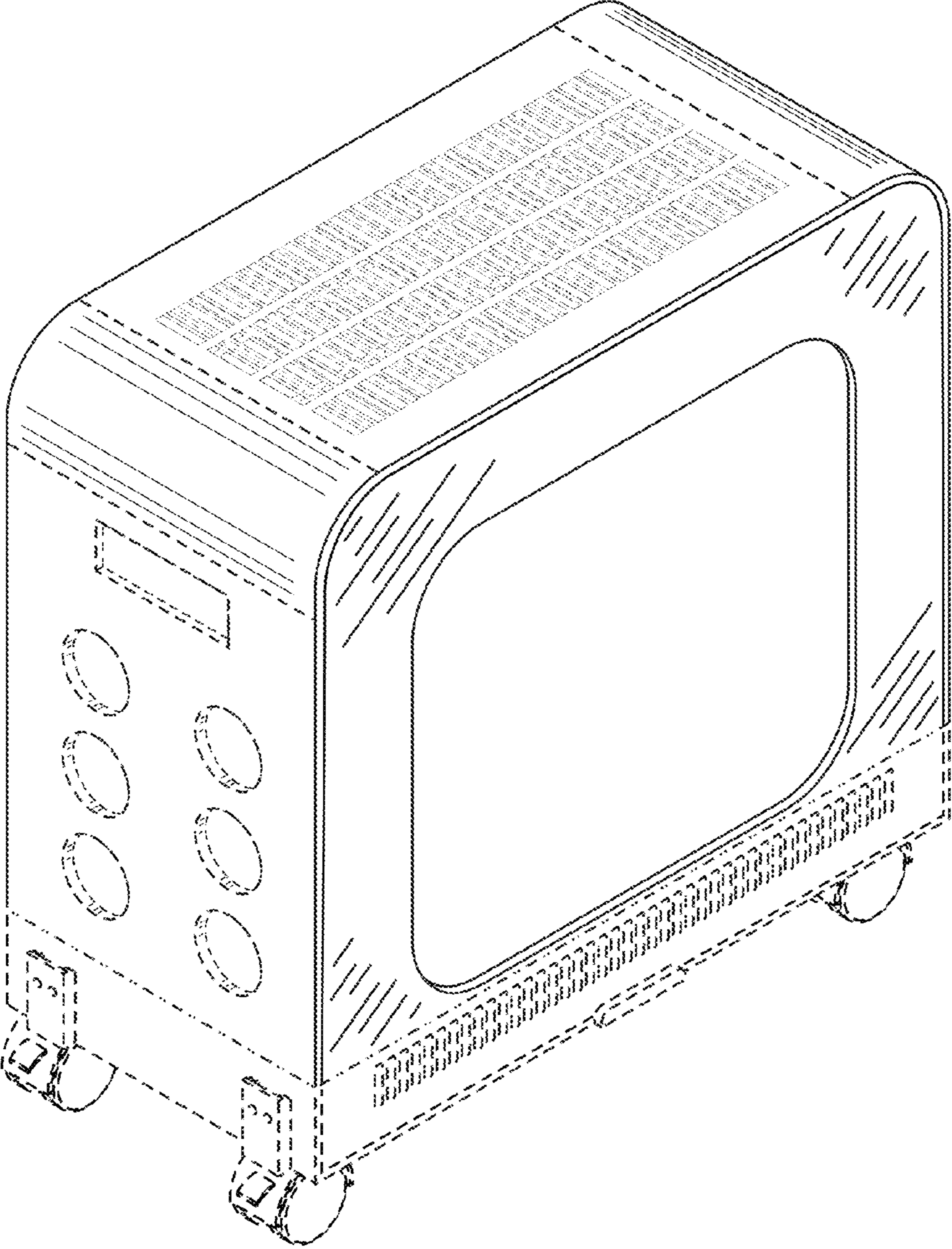


FIG. 8