

US00D760881S

(12) **United States Design Patent**
Saitou

(10) **Patent No.:** **US D760,881 S**
(45) **Date of Patent:** **** Jul. 5, 2016**

(54) **AIR CONDITIONER**

(71) Applicant: **Yumi Saitou**, Kusatsu (JP)

(72) Inventor: **Yumi Saitou**, Kusatsu (JP)

(73) Assignee: **DAIKIN INDUSTRIES LTD.**,
Osaka-Shi, Osaka-Fu (JP)

(**) Term: **14 Years**

(21) Appl. No.: **29/514,453**

(22) Filed: **Jan. 13, 2015**

(30) **Foreign Application Priority Data**

Sep. 8, 2014 (JP) 2014-019826

(51) **LOC (10) Cl.** **23-04**

(52) **U.S. Cl.**
USPC **D23/351**

(58) **Field of Classification Search**
USPC D23/324-327, 332-334, 342-344,
D23/351-354, 370, 385, 388; 165/121;
454/284; 62/259.1, 298, 407

CPC F24F 13/08; F24F 13/15; F24F 13/1413;
F24F 1/00; F24F 1/27; F24F 2001/0048

See application file for complete search history.

(56) **References Cited**

U.S. PATENT DOCUMENTS

D310,711 S * 9/1990 Welch D23/325
D311,244 S * 10/1990 Allard D23/325
D558,866 S * 1/2008 Yamamoto D23/351
D700,306 S * 2/2014 Seki D23/351
D700,307 S * 2/2014 Seki D23/351
D720,062 S * 12/2014 Guojie D23/351

D720,445 S * 12/2014 Murai D23/351
D720,842 S * 1/2015 Chouji D23/351
D740,404 S * 10/2015 Li D23/351
D744,076 S * 11/2015 Xu D23/351
2012/0122389 A1* 5/2012 Kishimoto F24F 1/0007
454/284
2015/0300678 A1* 10/2015 Niimura F24F 13/20
454/284

OTHER PUBLICATIONS

Kinja-img [online]. Retrieved on Mar. 22, 2016 from URL: http://i.kinja-img.com/gawker-media/image/upload/s--nv5IVkrA--/c_fit,fl_progressive,q_80,w_636/18mbayic8cen0jpg.jpg.*

* cited by examiner

Primary Examiner — Susan Bennett Hattan

Assistant Examiner — Keith Wilson

(74) *Attorney, Agent, or Firm* — Manabu Kanesaka

(57) **CLAIM**

The ornamental design for an air conditioner, as shown and described.

DESCRIPTION

FIG. 1 is a perspective view of an air conditioner showing my new design;

FIG. 2 is a front view thereof;

FIG. 3 is a rear view thereof;

FIG. 4 is a plan view thereof;

FIG. 5 is a bottom view thereof;

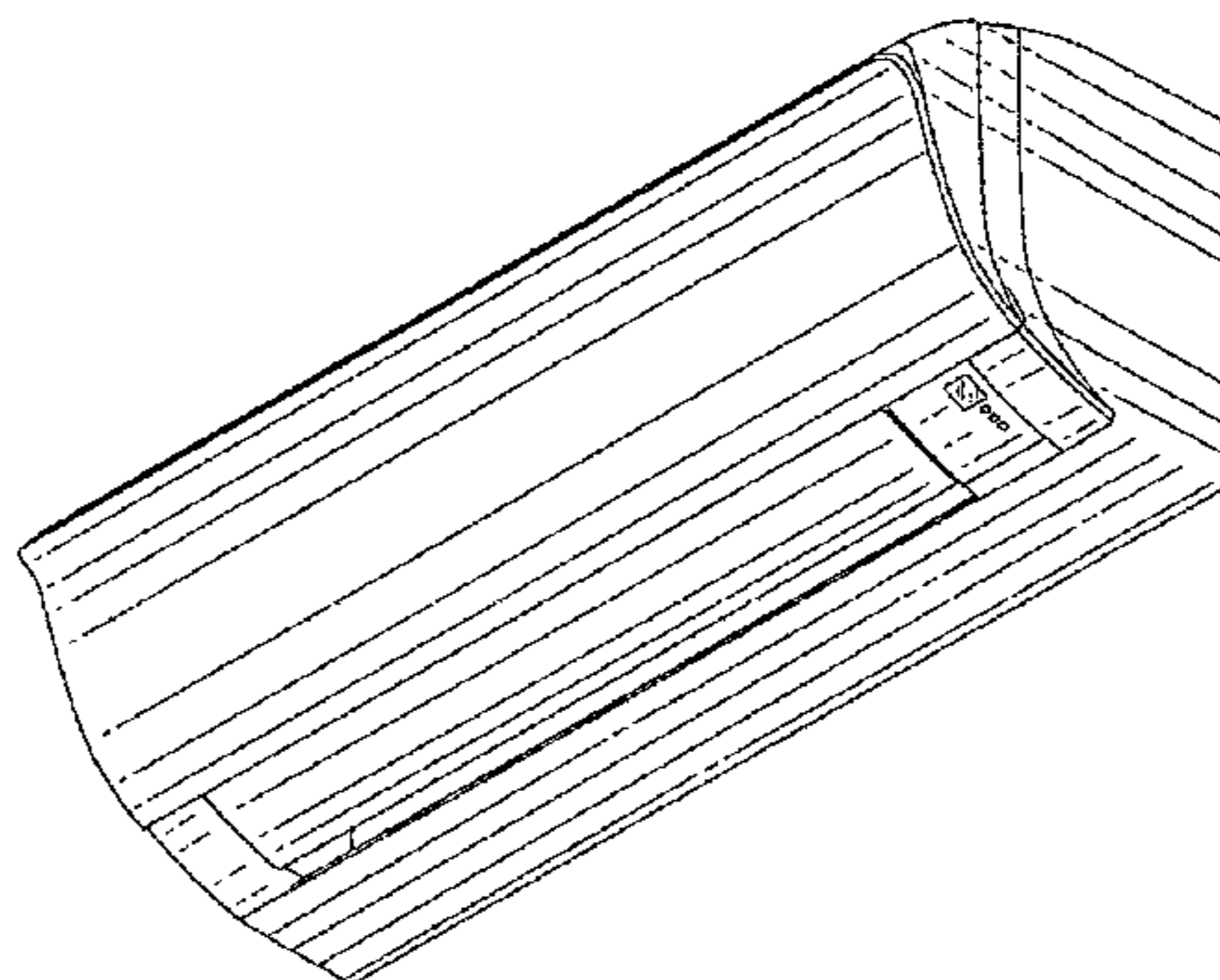
FIG. 6 is a left side view thereof;

FIG. 7 is a right side view thereof; and,

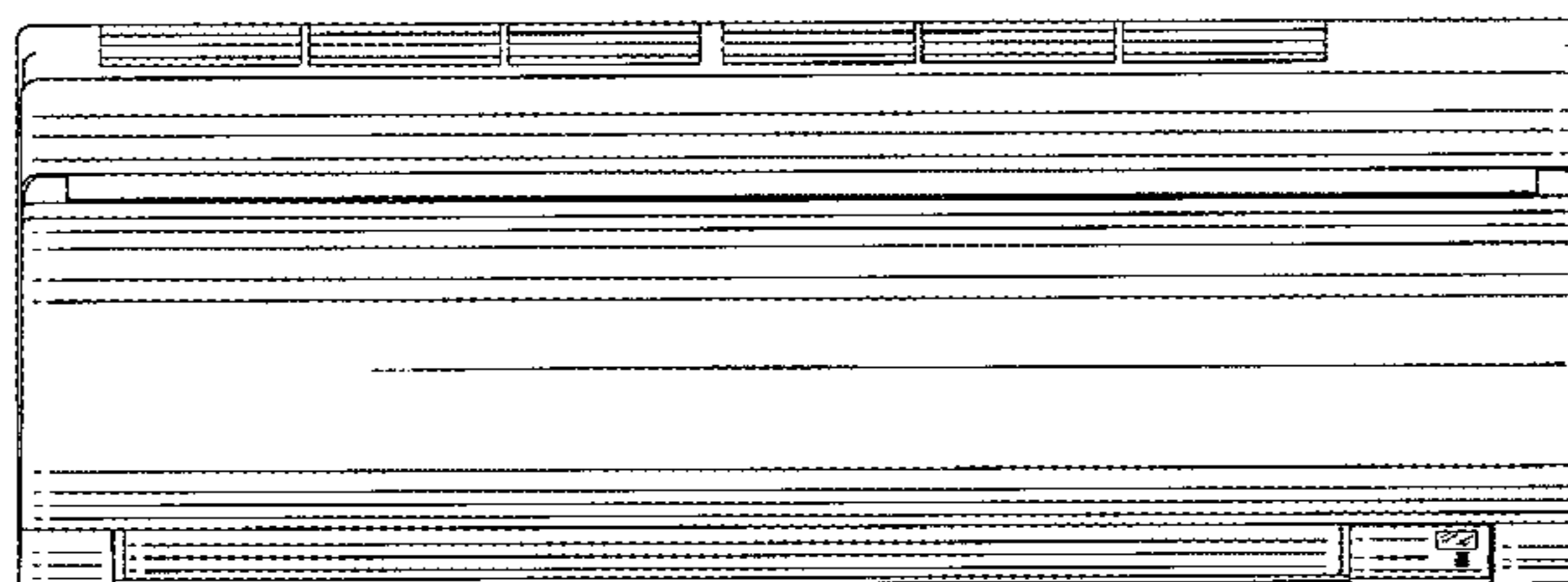
FIG. 8 is a cross-sectional view thereof along the line 8-8 in FIG. 2.

The broken lines depict portions of the air conditioner that form no part of claimed design.

1 Claim, 3 Drawing Sheets



8 -



8 -

Fig. 1

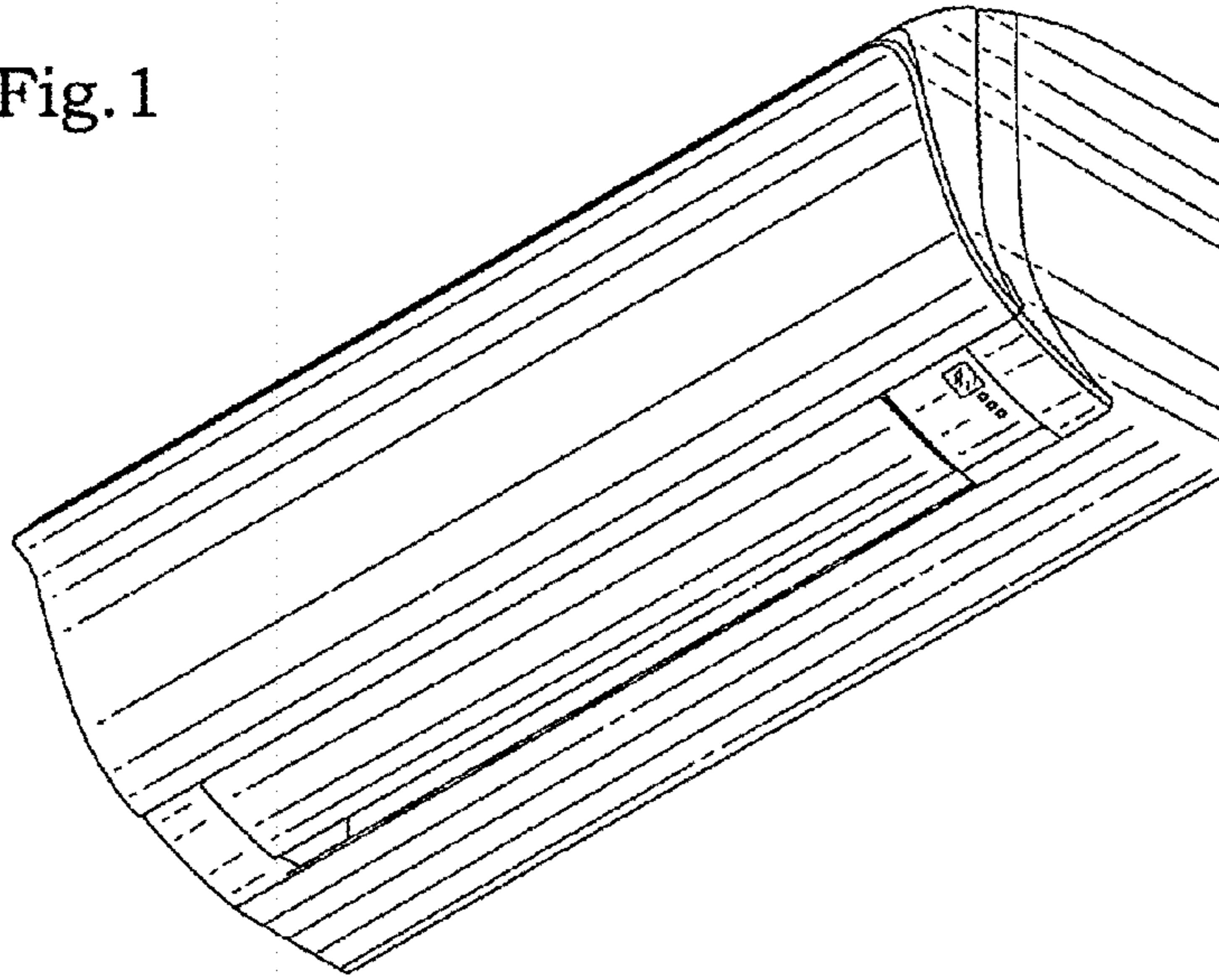
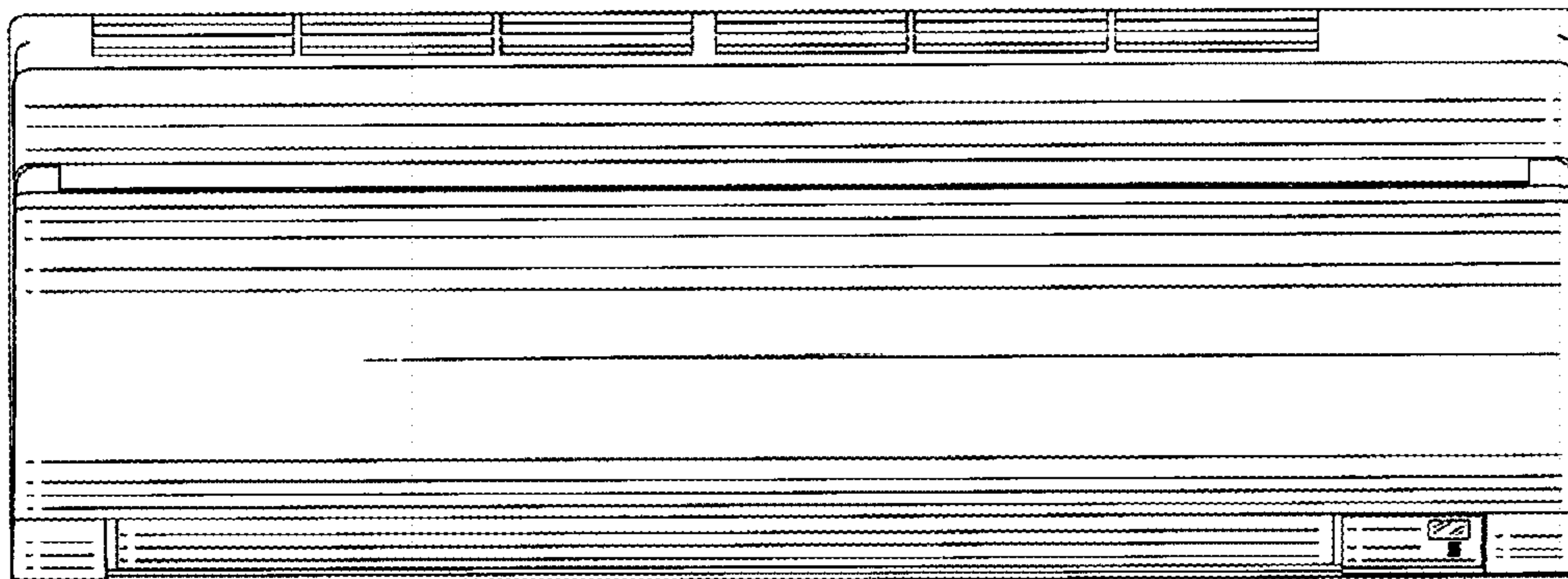


Fig. 2

8 ↙



8 ↘

Fig. 3

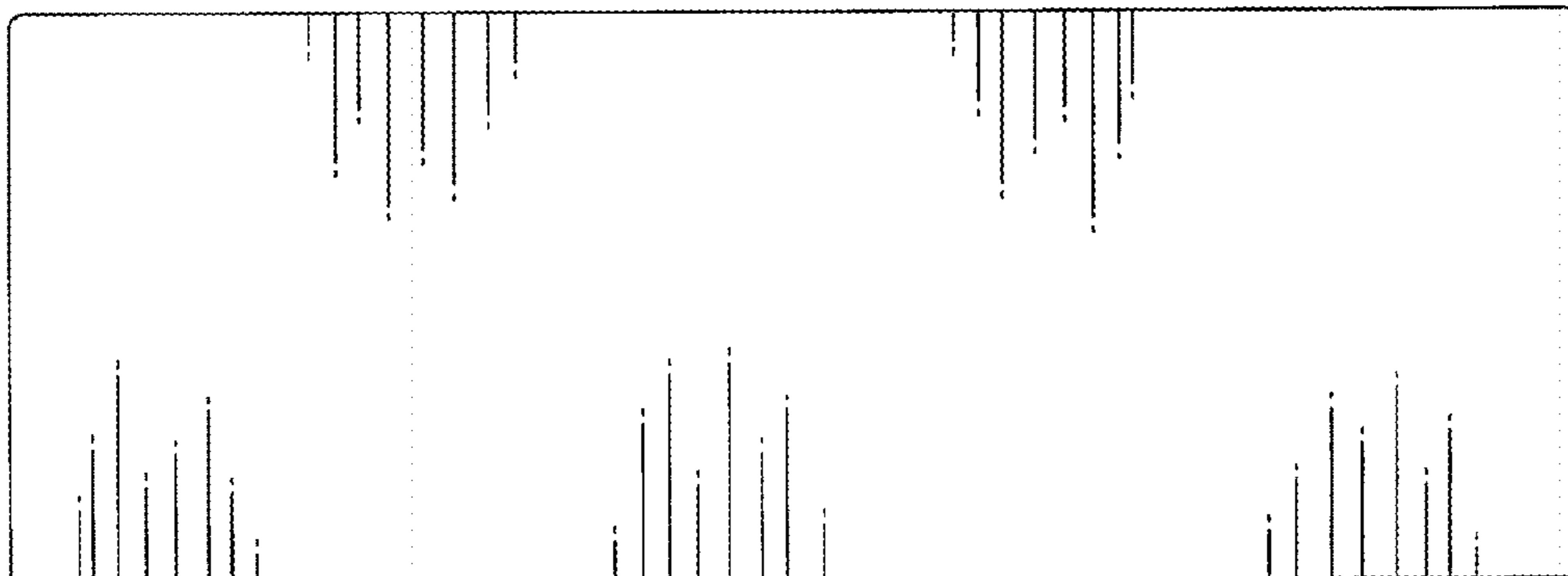


Fig.4

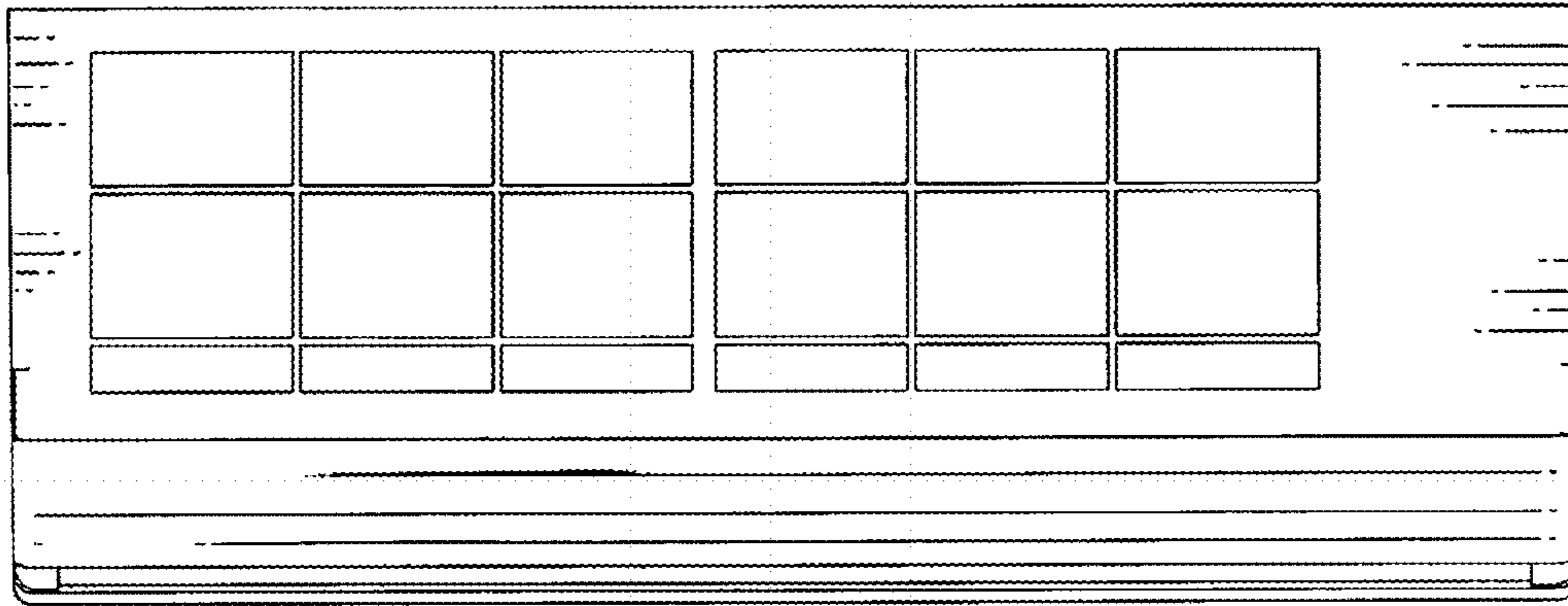


Fig.5

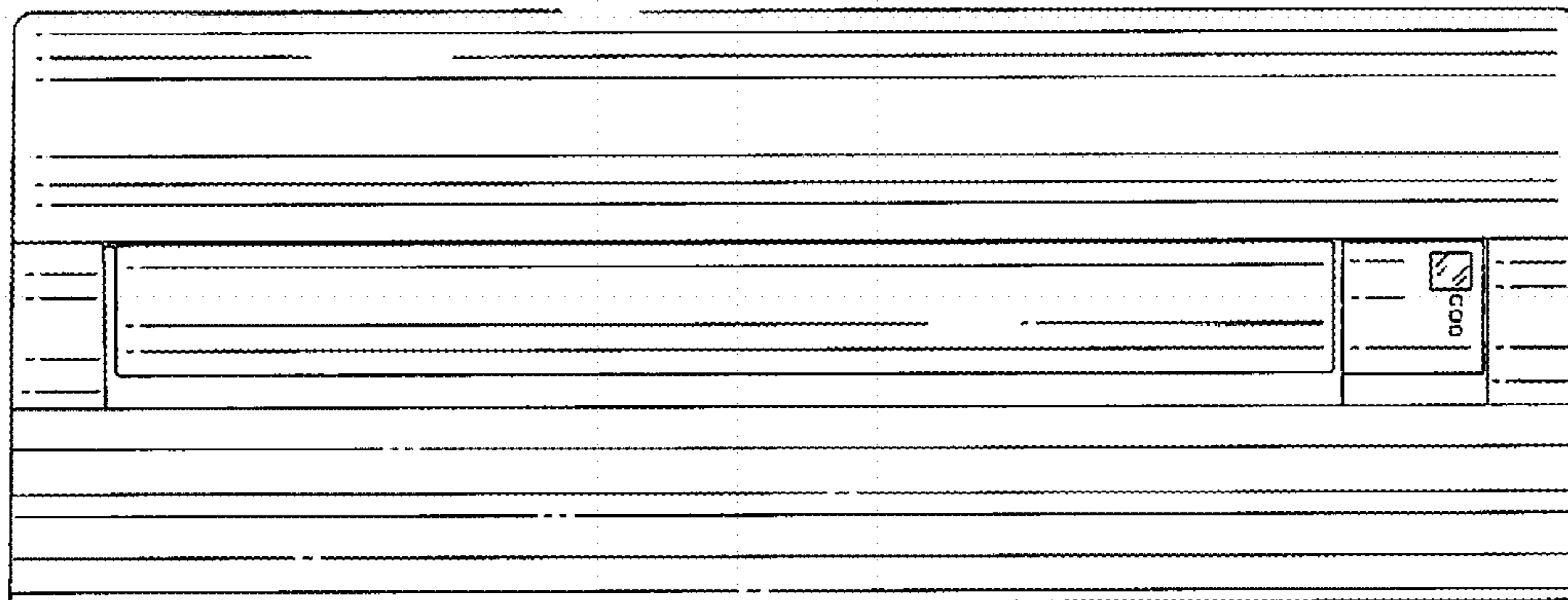


Fig.6

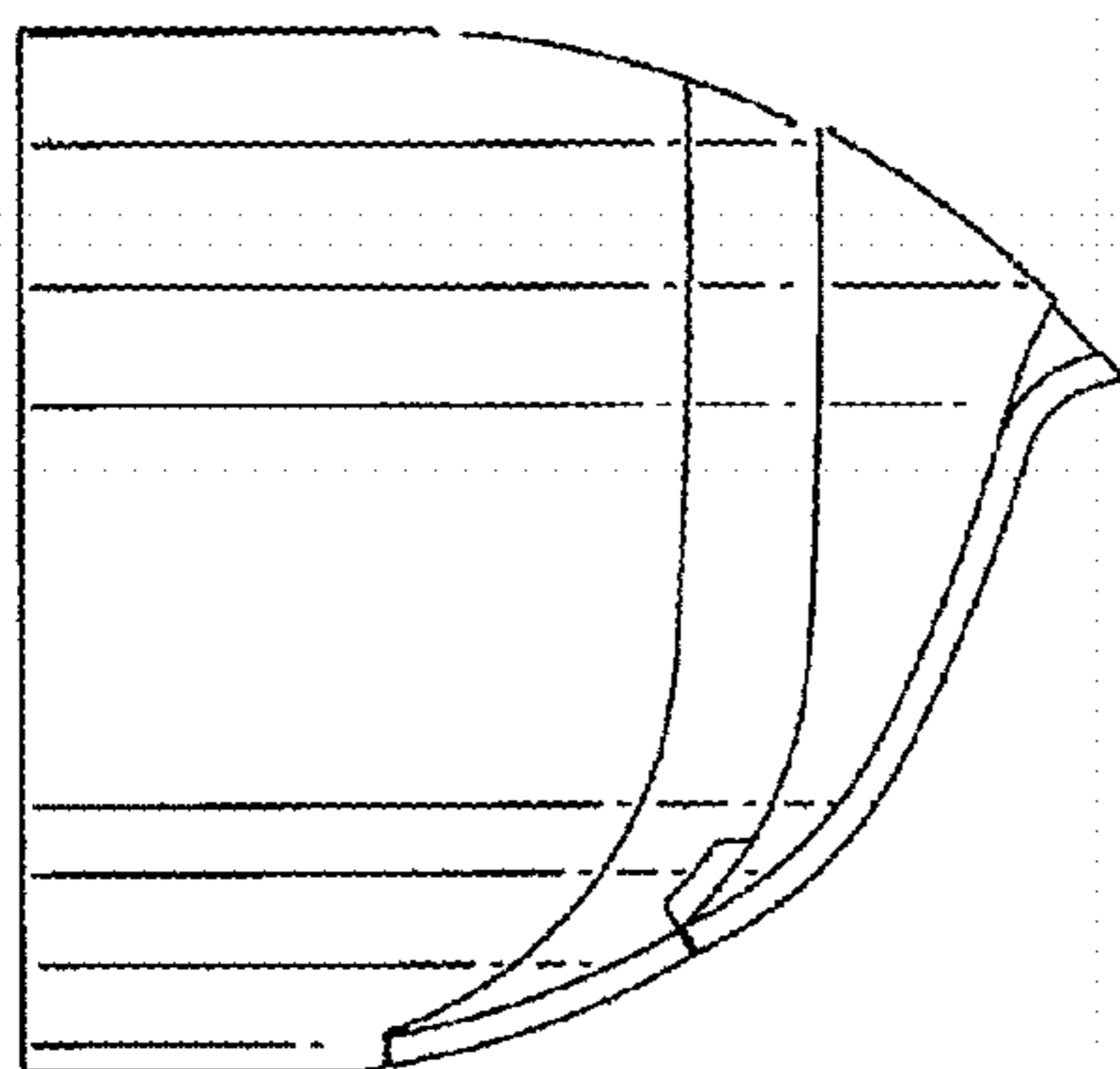


Fig.7

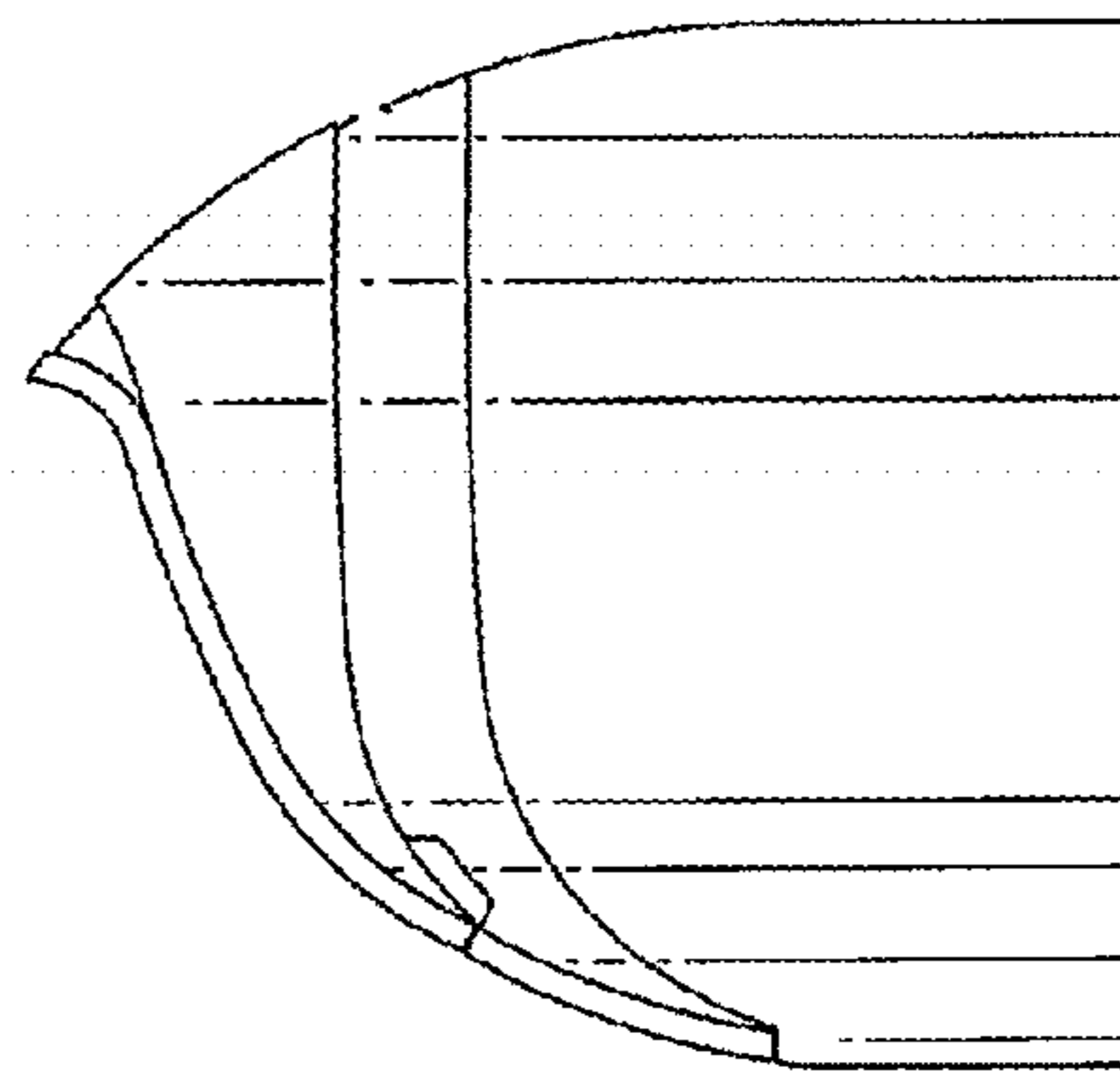


Fig.8

