



US00D760880S

(12) **United States Design Patent**  
**Jenkins**

(10) **Patent No.:** **US D760,880 S**  
(45) **Date of Patent:** **\*\* Jul. 5, 2016**

(54) **OUTDOOR HEATER**  
(71) Applicant: **Bond Manufacturing Co., Inc.**,  
Antioch, CA (US)  
(72) Inventor: **James Cameron Jenkins**, Marco Island,  
FL (US)  
(73) Assignee: **Bond Manufacturing Co., Inc.**,  
Antioch, CA (US)

D390,935 S \* 2/1998 Bosje ..... D23/314  
6,044,836 A \* 4/2000 Oliver, Jr. .... F24C 3/14  
126/41 R  
6,227,843 B1 \* 5/2001 Pedersen ..... F24C 3/006  
126/41 R  
D455,205 S \* 4/2002 Davis ..... D23/343  
6,769,907 B2 \* 8/2004 Doud ..... F23D 99/00  
126/519  
D713,021 S \* 9/2014 Goodyear ..... D23/343  
D718,569 S \* 12/2014 Chiang ..... D7/337  
D729,914 S \* 5/2015 Kinchen ..... D23/332  
2008/0105252 A1 \* 5/2008 Barbour ..... F24B 3/00  
126/521  
2013/0269674 A1 \* 10/2013 Junge, Sr. .... A47J 37/0704  
126/30

(\*\*) Term: **14 Years**  
(21) Appl. No.: **29/490,177**  
(22) Filed: **May 7, 2014**

\* cited by examiner

*Primary Examiner* — T. Chase Nelson  
*Assistant Examiner* — Ania Aman  
(74) *Attorney, Agent, or Firm* — Sterne, Kessler, Goldstein  
& Fox P.L.L.C.

(30) **Foreign Application Priority Data**  
Nov. 28, 2013 (CN) ..... 2013 3 0584804  
(51) **LOC (10) Cl.** ..... **23-03**  
(52) **U.S. Cl.**  
USPC ..... **D23/332**  
(58) **Field of Classification Search**  
USPC ..... D23/317, 314, 332, 333, 334, 335, 337,  
D23/342, 351, 355, 378, 370, 381, 364, 336,  
D23/341, 343, 348, 401; D7/332-337,  
D7/402-405, 352; 126/30  
CPC ..... F24B 1/18; F24B 1/182; F24B 1/1808;  
F24B 1/181  
See application file for complete search history.

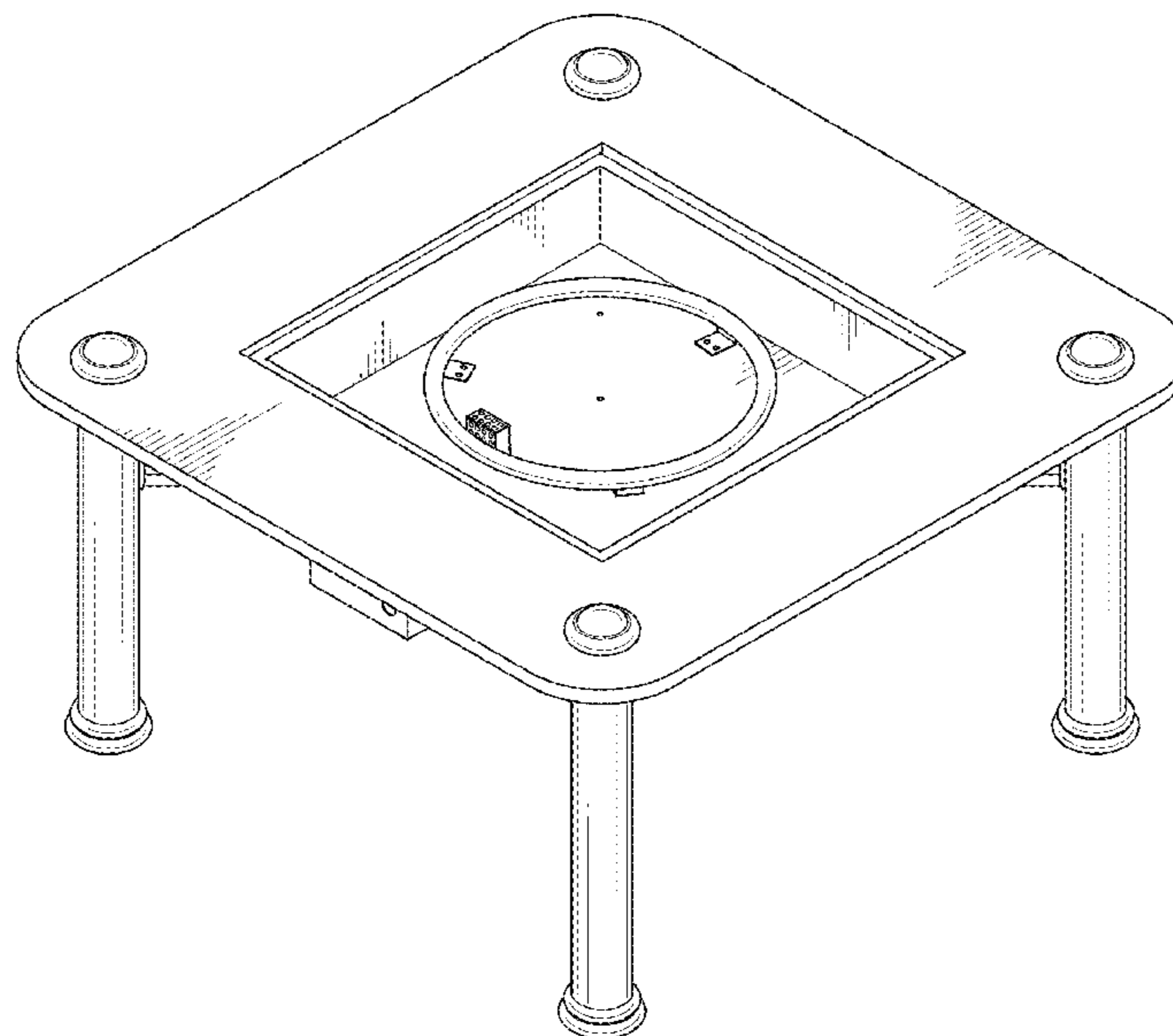
(56) **References Cited**  
U.S. PATENT DOCUMENTS  
3,447,530 A \* 6/1969 Santeramo ..... A47J 37/0763  
126/25 R  
4,884,551 A \* 12/1989 Hait ..... F24C 1/16  
126/25 R

(57) **CLAIM**  
The ornamental design for an outdoor heater, as shown and  
described.

**DESCRIPTION**

FIG. 1 is a top front perspective view of an outdoor heater  
showing my new design;  
FIG. 2 is a front view thereof;  
FIG. 3 is a rear view thereof;  
FIG. 4 is a left side view thereof;  
FIG. 5 is a right side view thereof;  
FIG. 6 is a top plan view thereof; and,  
FIG. 7 is a bottom plan view thereof.

**1 Claim, 5 Drawing Sheets**



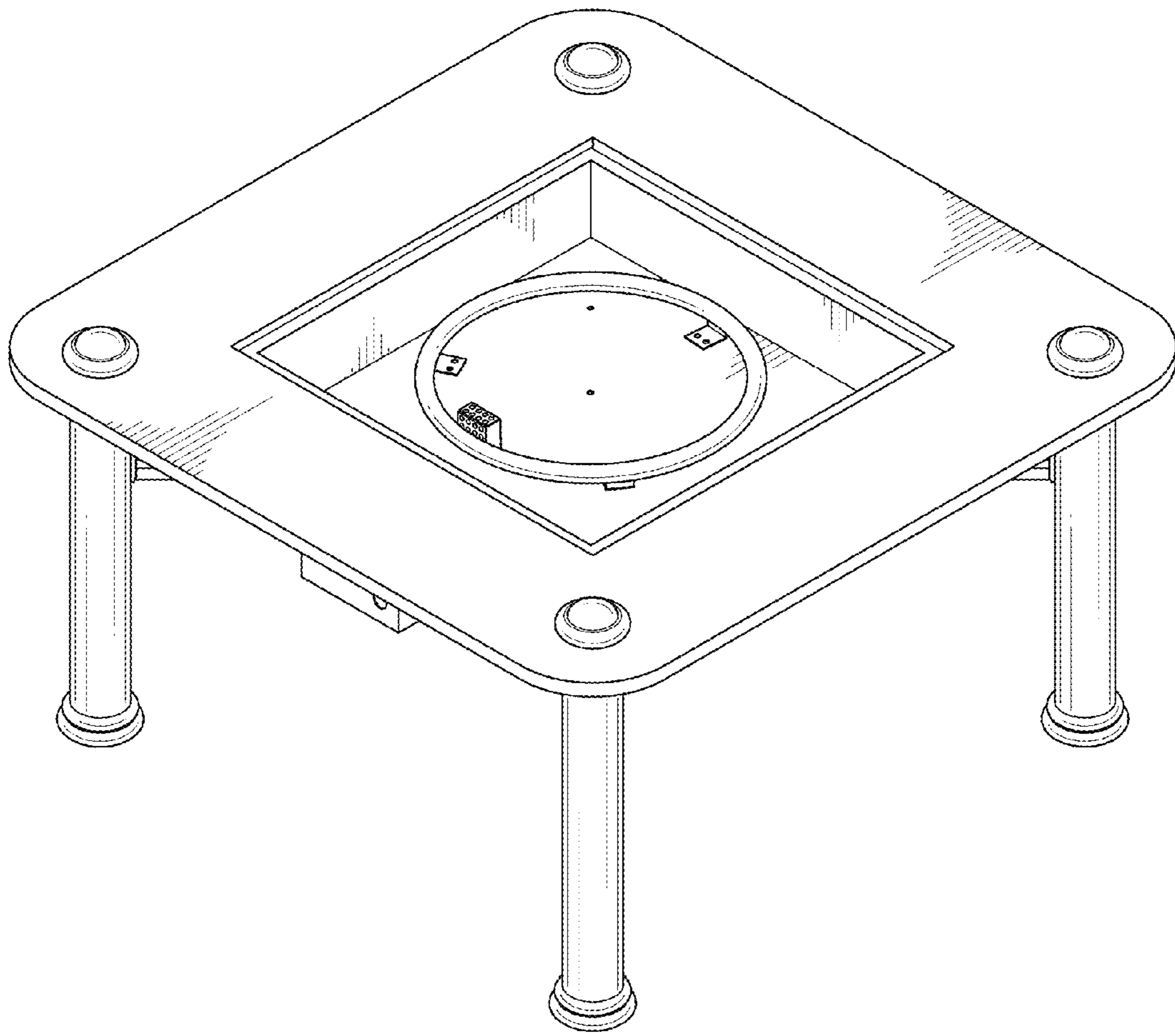


FIG. 1

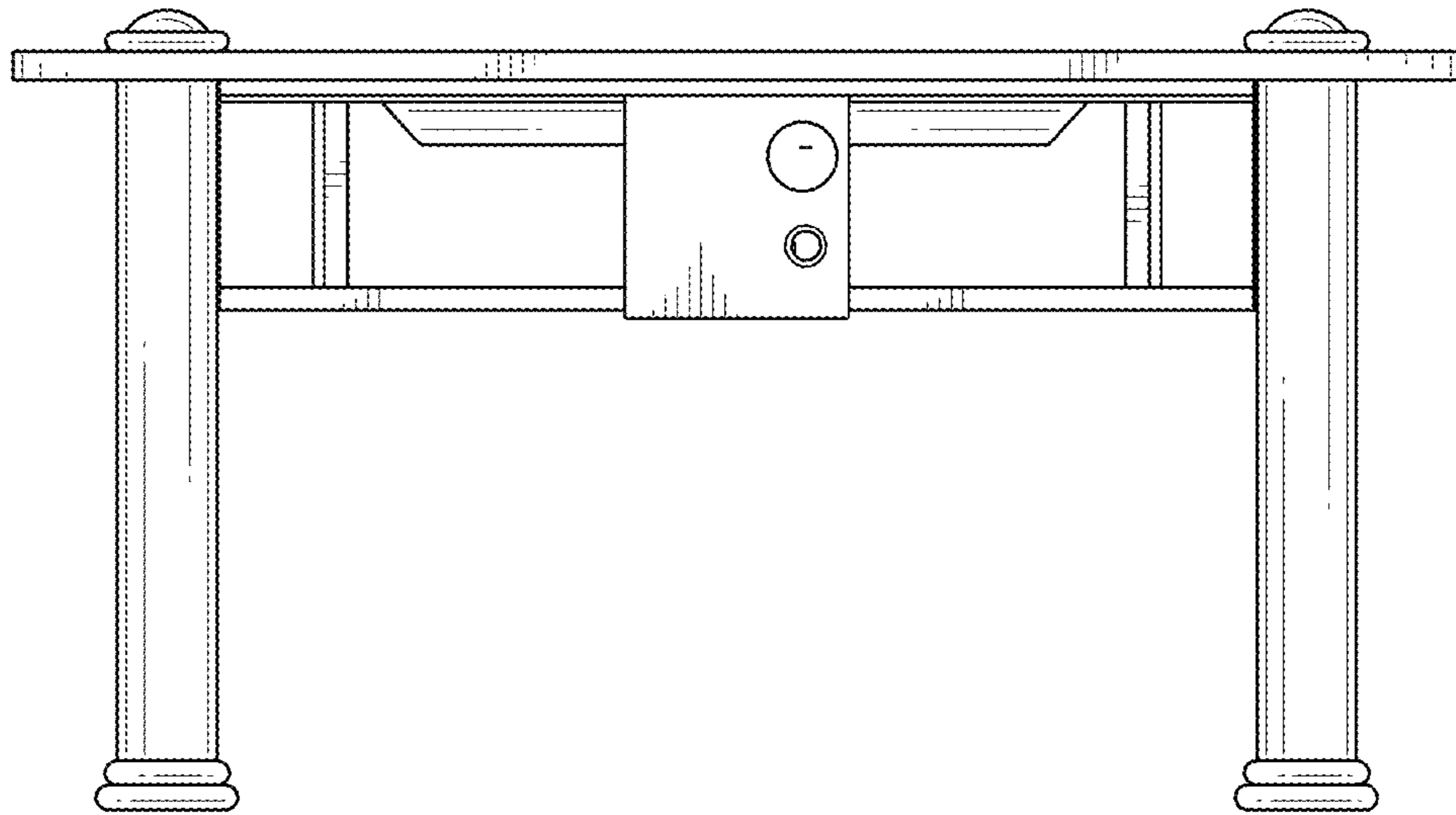


FIG. 2

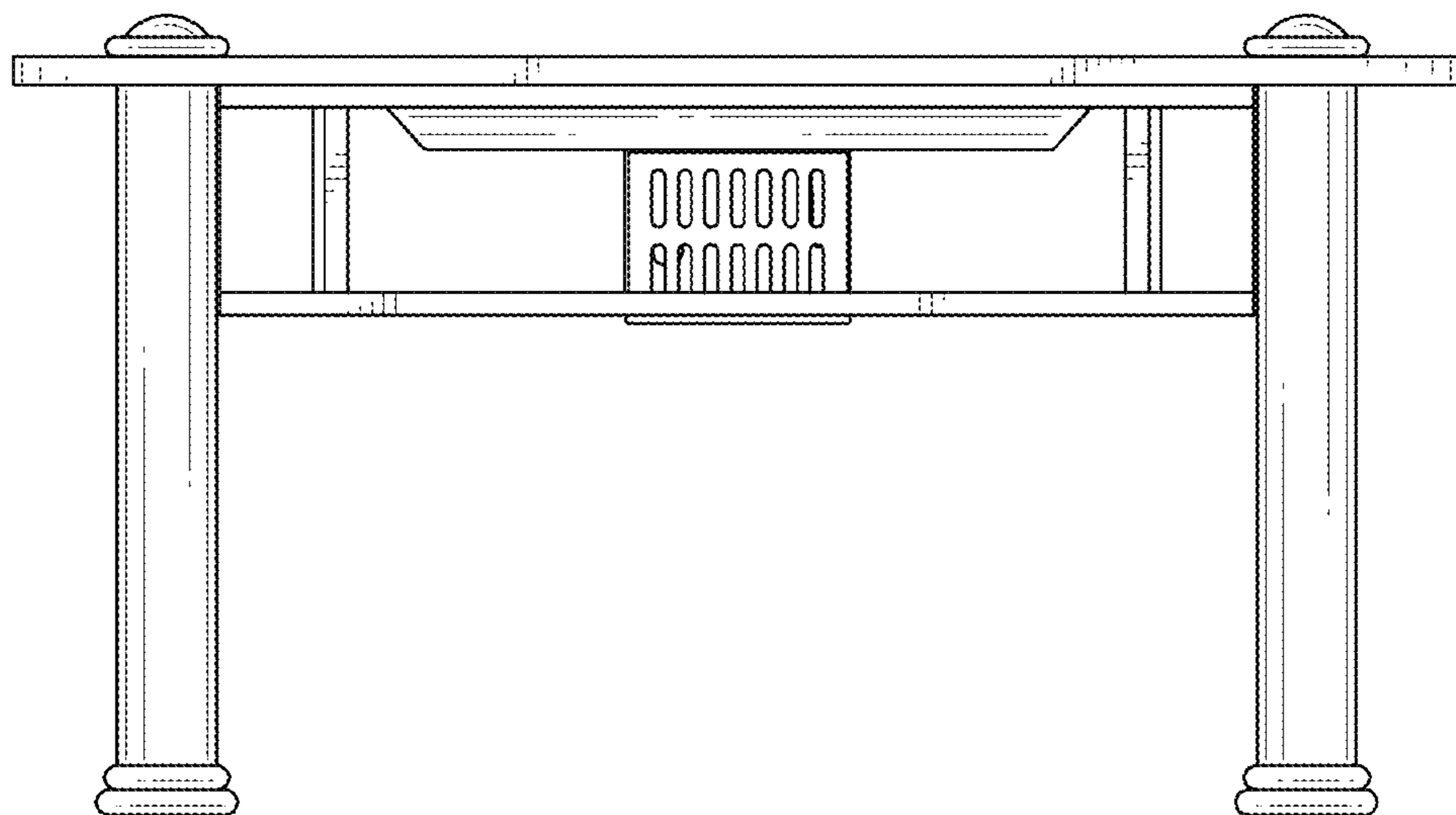


FIG. 3

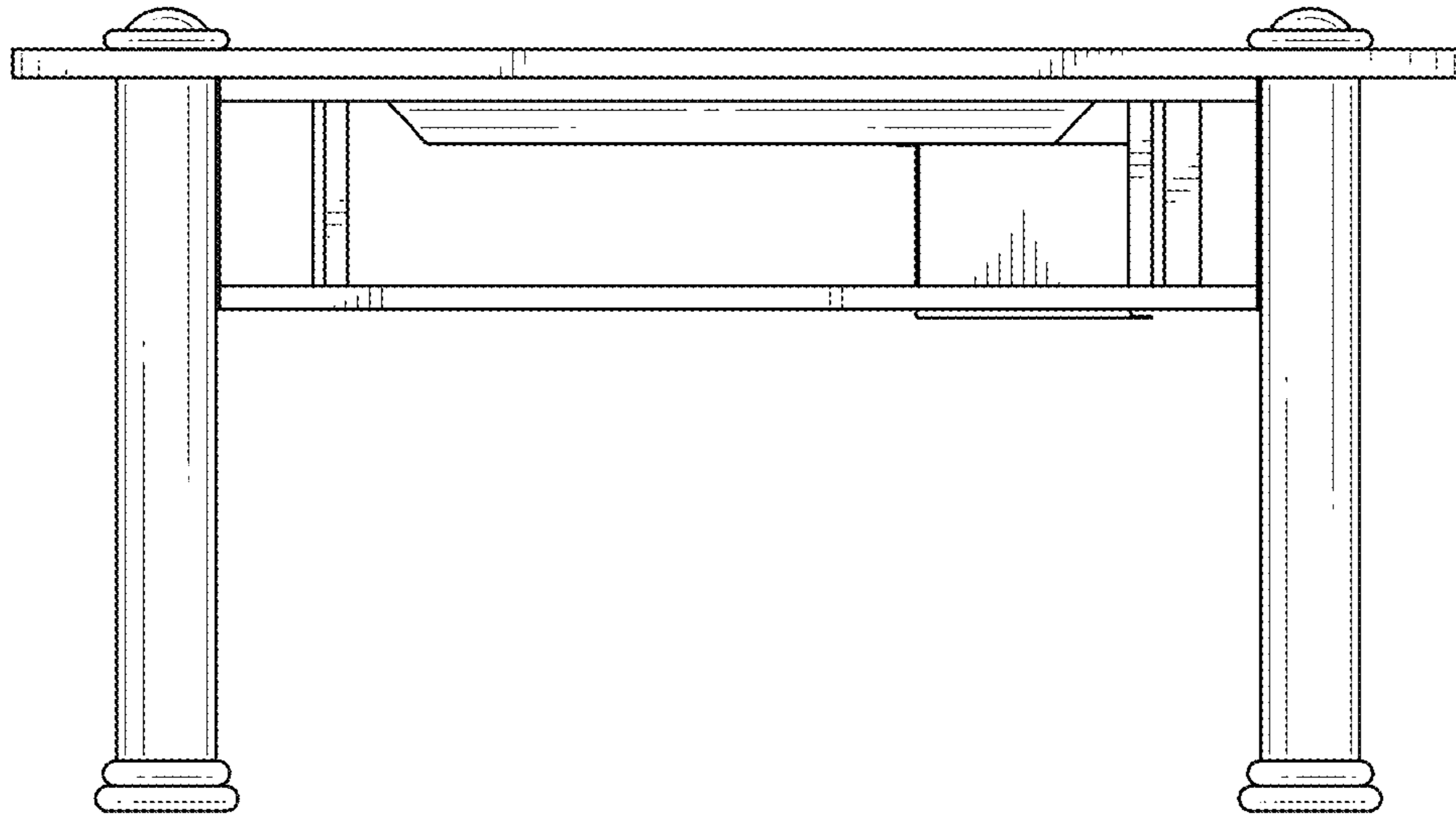


FIG. 4

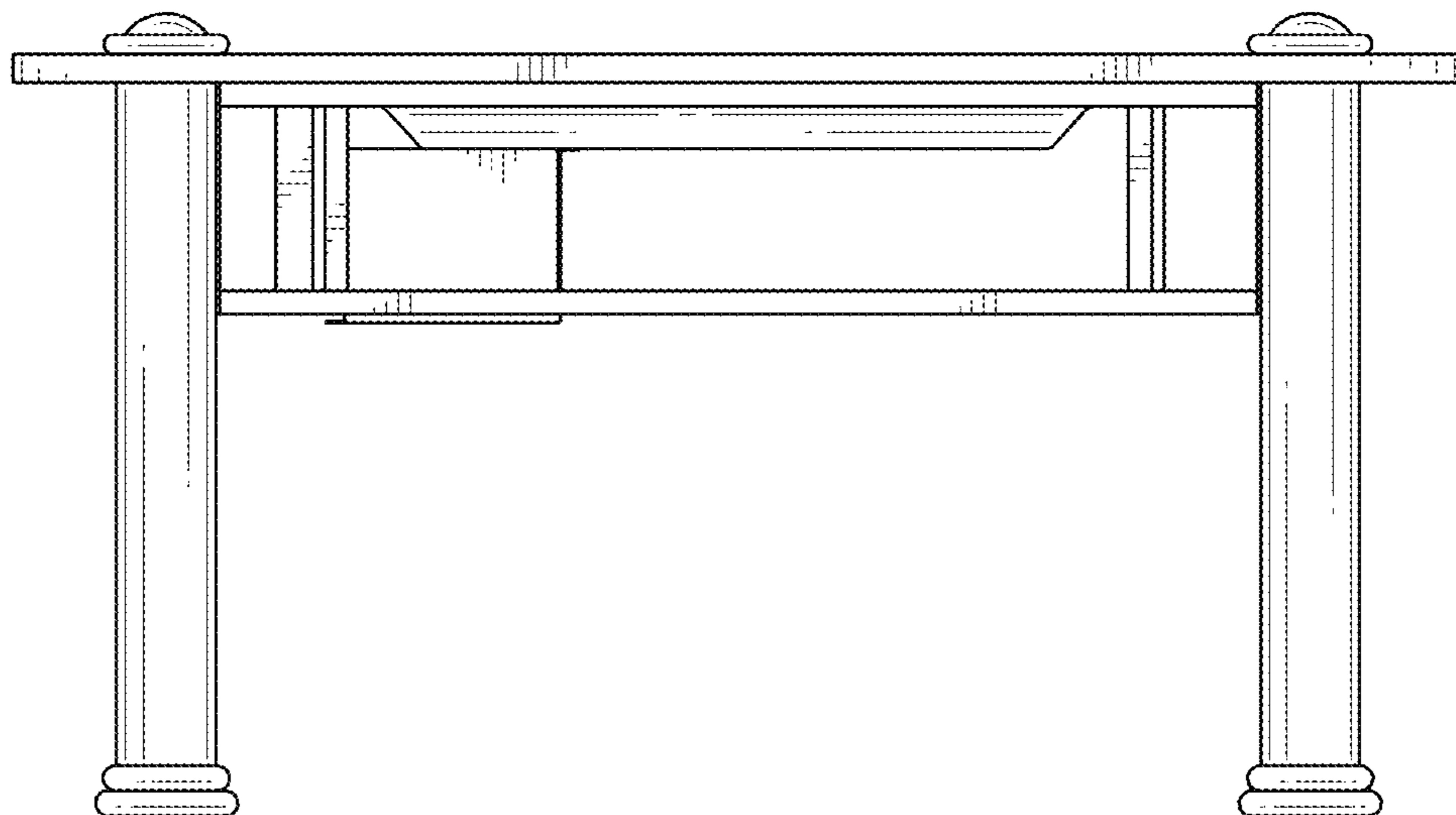


FIG. 5

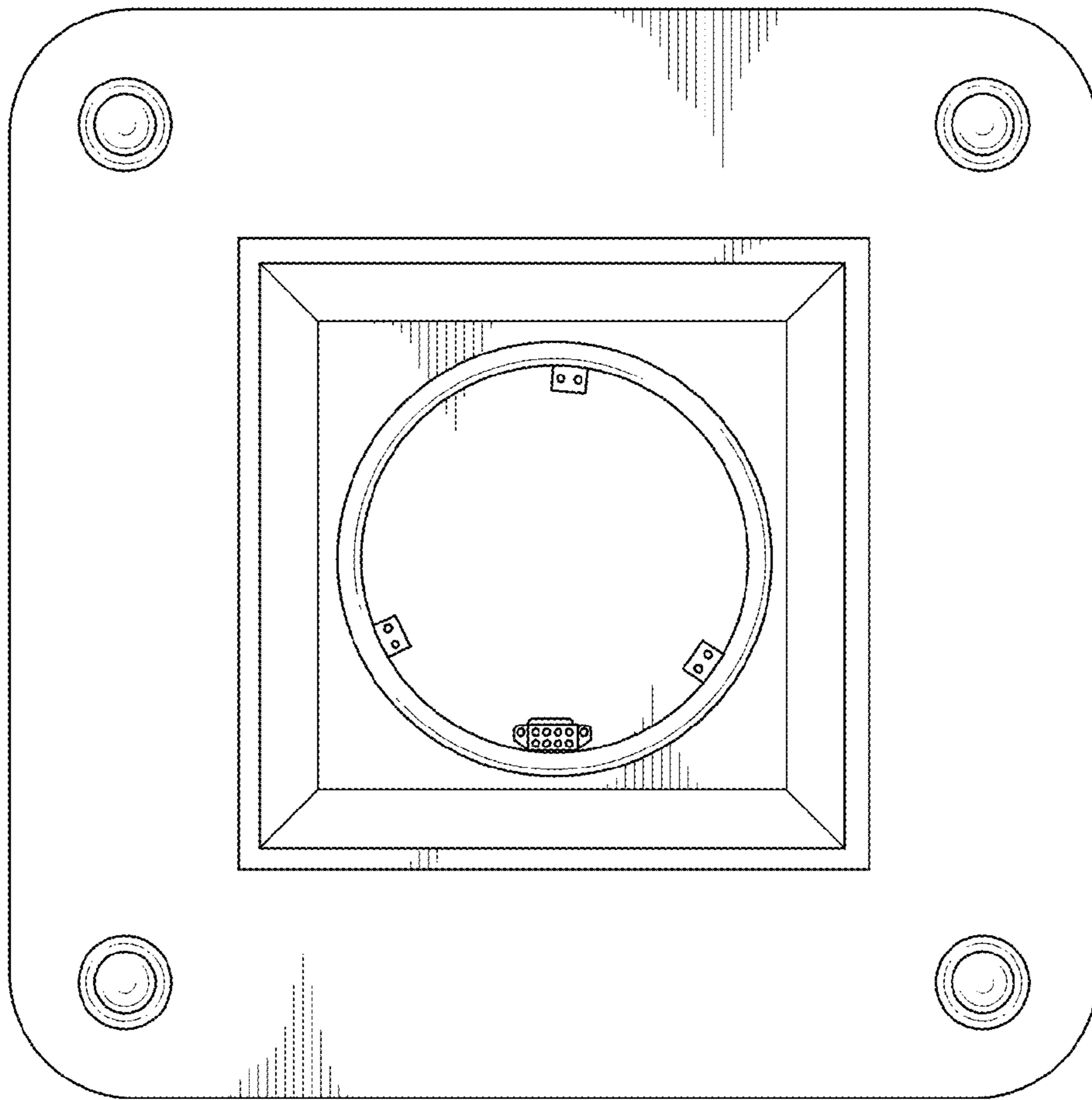


FIG. 6

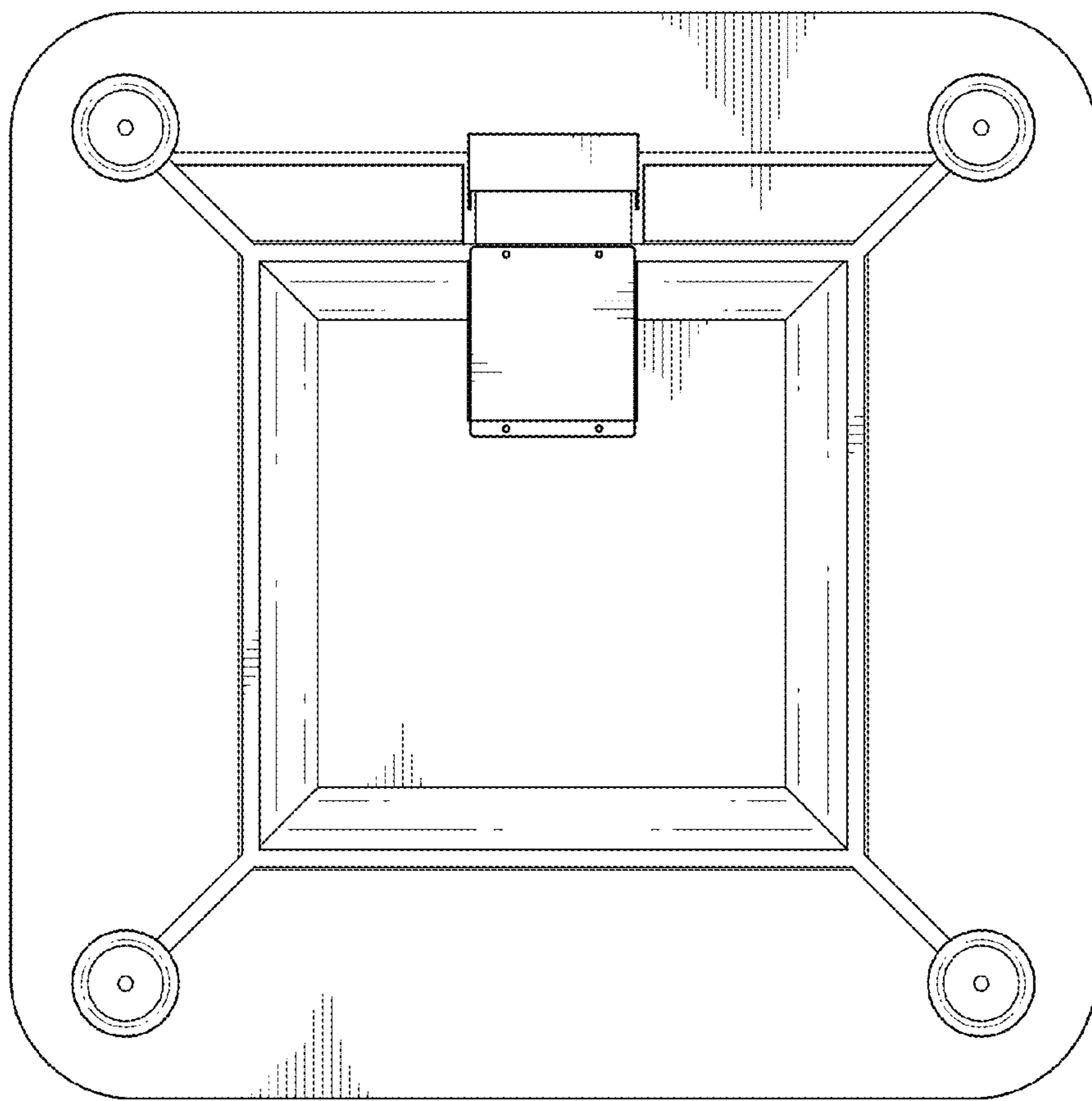


FIG. 7