



US00D760876S

(12) **United States Design Patent**  
**Kozak**

(10) **Patent No.:** **US D760,876 S**  
(45) **Date of Patent:** **\*\* Jul. 5, 2016**

(54) **HOSE MENDER**

(71) Applicant: **Fairview Fittings and Manufacturing Inc.**, North Tonawanda, NY (US)

(72) Inventor: **Joe Byron Kozak**, Hamilton (CA)

(73) Assignee: **FAIRVIEW FITTINGS AND MANUFACTURING INC.**, North Tonawanda, NY (US)

(\*\*) Term: **14 Years**

(21) Appl. No.: **29/508,520**

(22) Filed: **Nov. 7, 2014**

**Related U.S. Application Data**

(63) Continuation of application No. 29/479,280, filed on Jan. 14, 2014.

(51) **LOC (10) Cl.** ..... **23-01**

(52) **U.S. Cl.**  
USPC ..... **D23/266**

(58) **Field of Classification Search**  
USPC ..... D23/259-269; D8/382, 387  
CPC ..... F16L 19/02; F16L 19/028; F16L 19/0225;  
F16L 19/025; F16L 9/00; F16L 27/00; F02M  
55/02; F02M 55/00; F02M 55/025; F02M  
55/005

See application file for complete search history.

(56) **References Cited**

**U.S. PATENT DOCUMENTS**

D56,927 S \* 1/1921 Humphrey ..... D23/262  
D57,343 S \* 3/1921 Humphrey ..... D23/262

(Continued)

**OTHER PUBLICATIONS**

Hose End Kit for 3/8" ID Air Brake Hose, Tramec Inc., 2012, 1 page.

*Primary Examiner* — Eric Goodman  
*Assistant Examiner* — Daniel J Domino

(74) *Attorney, Agent, or Firm* — Hodgson Russ LLP

(57) **CLAIM**

The ornamental design for a hose mender, as shown and described.

**DESCRIPTION**

A portion of the disclosure of this patent document contains material which is subject to copyright protection. This patent document may show and/or describe matter which is or may become trade dress of the owner. The copyright and trade dress owner has no objection to the facsimile reproduction by anyone of the patent disclosure as it appears in the Patent and Trademark Office patent files or records, but otherwise reserves all copyright and trade dress rights whatsoever.

FIG. 1 is an exploded front perspective view of a first embodiment of the hose mender showing my new design, the hose mender including a barb and a ring;

FIG. 2 is a top view thereof, the hose mender shown in an assembled position on an exemplary hose, the bottom view being mirror symmetrical thereof;

FIG. 3 is another view thereof, showing a sectional view of the ring portion taken along the line 3-3 of FIG. 7;

FIG. 4 is a top view of the barb shown in FIG. 1;

FIG. 5 is a rear view of the barb shown in FIG. 1;

FIG. 6 is a front view of the barb shown in FIG. 1;

FIG. 7 is a top view of the ring shown in FIG. 1;

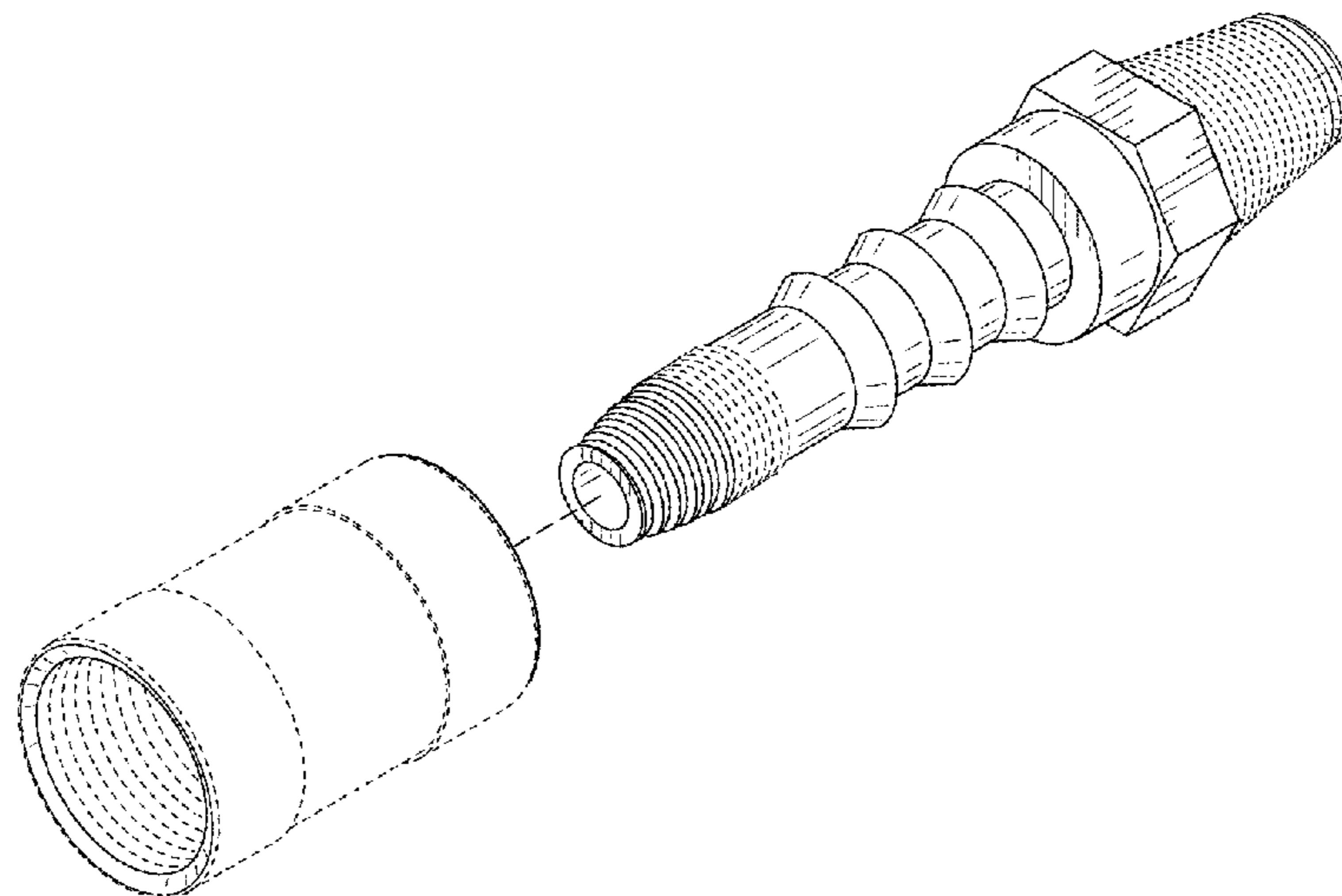
FIG. 8 is a sectional view of the ring taken along the line 3-3 of FIG. 7;

FIG. 9 is a rear view of the ring shown in FIG. 1; and,

FIG. 10 is a front view of the ring shown in FIG. 1.

The broken lines illustrate portions of the Hose Mender or environmental features that form no part of the claimed design.

**1 Claim, 2 Drawing Sheets**



(56)

**References Cited**

U.S. PATENT DOCUMENTS

D254,863 S *	4/1980	Hayes	.....	D23/262	D607,546 S *	1/2010	Forsythe	.....	D23/262
D262,969 S *	2/1982	Howes	.....	239/533.12	D608,422 S *	1/2010	Forsythe	.....	D23/262
D282,962 S *	3/1986	Gerber	.....	285/239	D608,423 S *	1/2010	Forsythe	.....	D23/262
D333,178 S *	2/1993	Novy	.....	285/239	D608,424 S *	1/2010	Katsuta	.....	D23/266
D396,730 S *	8/1998	Schaupp	.....	D23/259	D726,289 S *	4/2015	Mahmood	.....	D23/266
D406,881 S *	3/1999	Kuwabara	.....	D23/262	D733,842 S *	7/2015	Allred	.....	D23/259
D413,967 S *	9/1999	Yuen	.....	D23/262	D736,359 S *	8/2015	Melo	.....	D23/262
D451,174 S *	11/2001	Patteson	.....	D23/262	D738,471 S *	9/2015	Melo	.....	D23/262
D451,584 S *	12/2001	Patteson	.....	D23/262	D744,072 S *	11/2015	Wildfang	.....	D23/266
D530,796 S *	10/2006	Zielke	.....	D23/262	D746,959 S *	1/2016	Kury	.....	D23/266
D584,802 S *	1/2009	Goodridge	.....	D23/262	D747,785 S *	1/2016	Ruprecht	.....	D23/262
D597,637 S *	8/2009	Krohmer	.....	D23/266	D748,763 S *	2/2016	Berardi	.....	D23/262
					D748,764 S *	2/2016	Berardi	.....	D23/262
					D749,195 S *	2/2016	Otaka	.....	D15/5
					D749,196 S *	2/2016	Otaka	.....	D15/5

\* cited by examiner

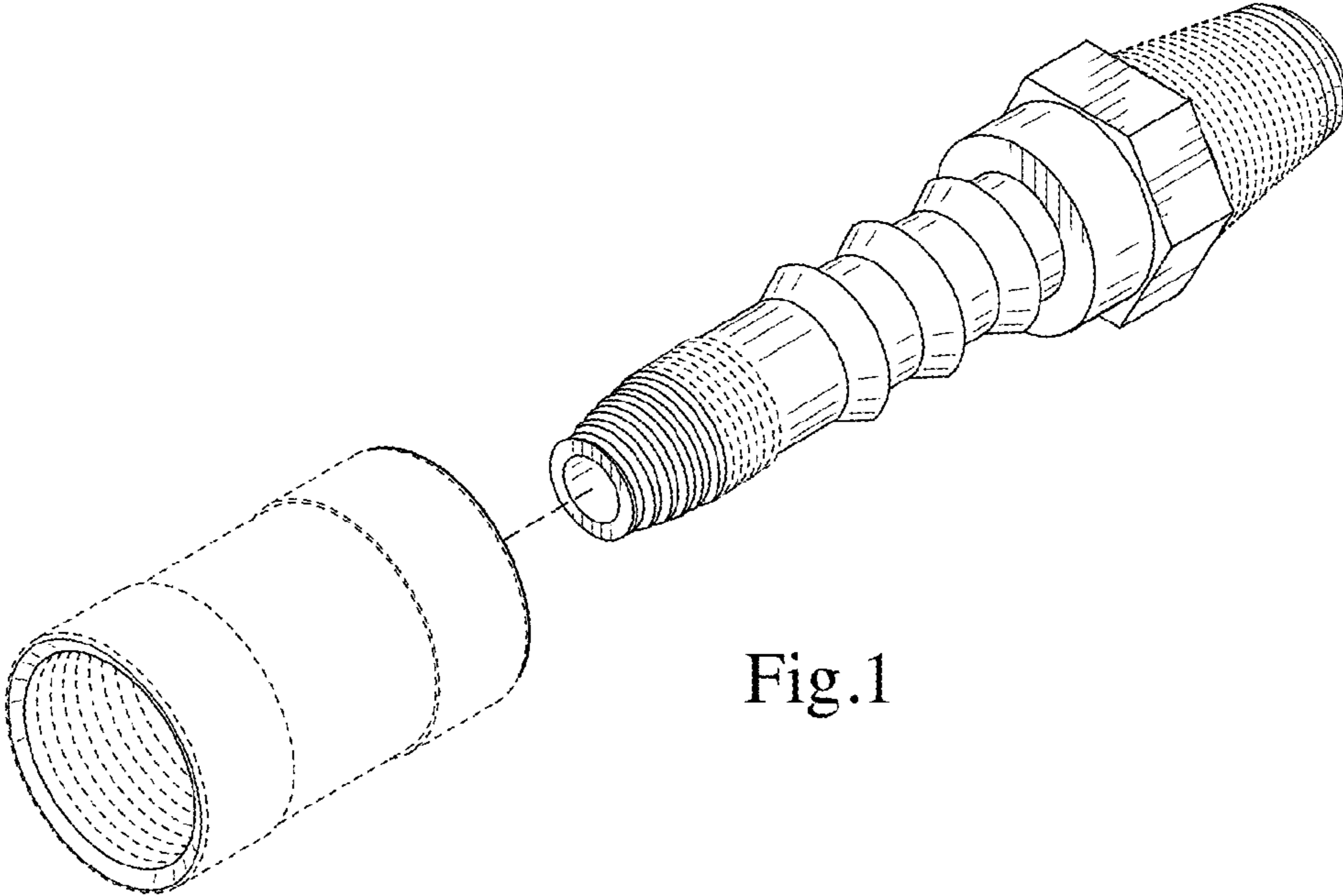


Fig.1

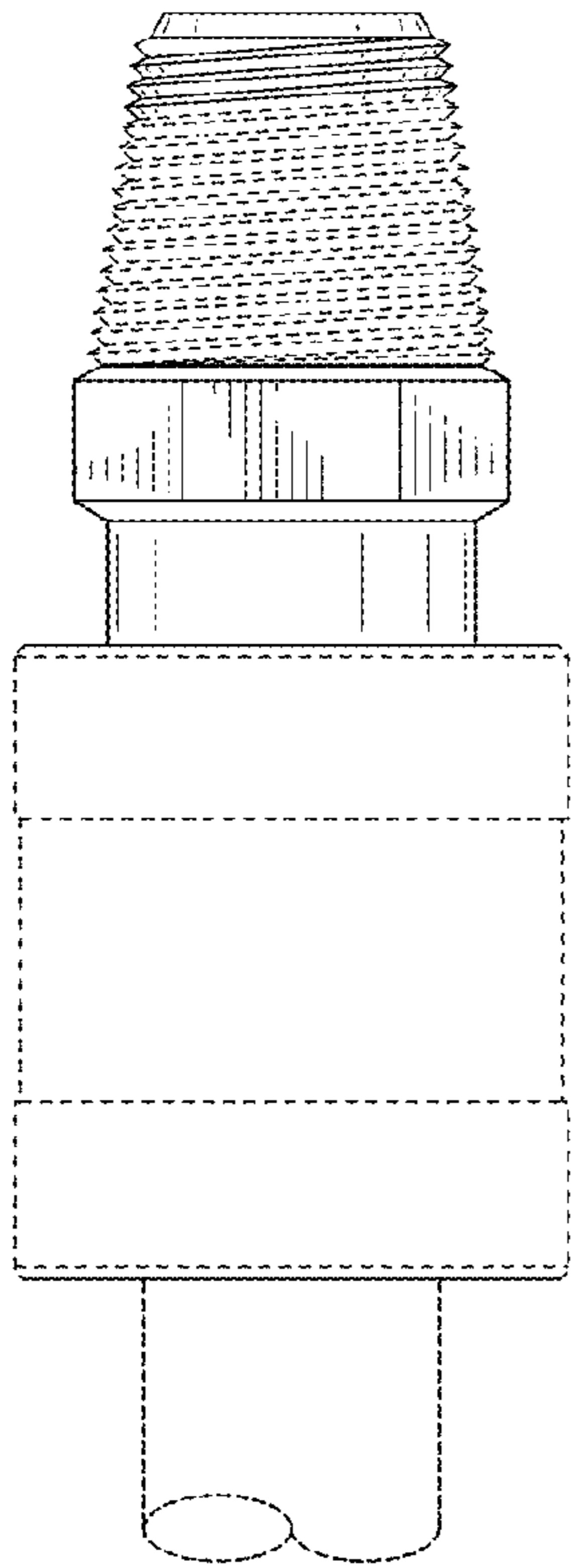


Fig.2

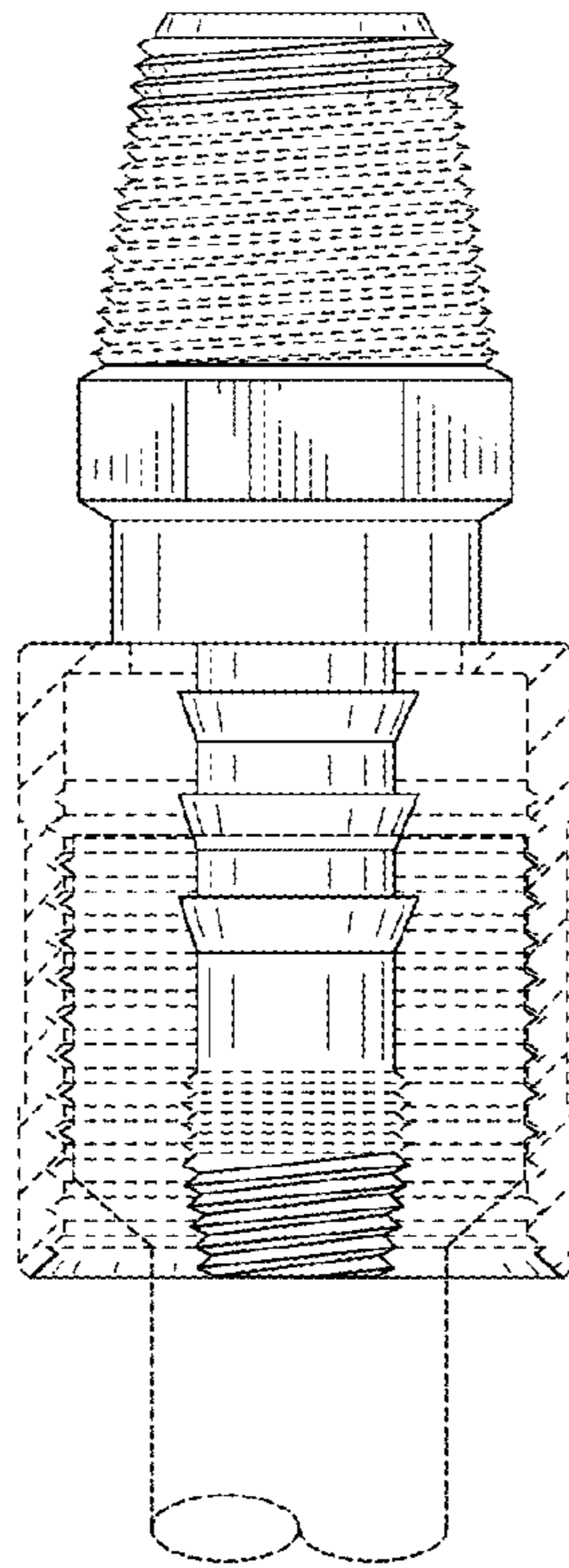


Fig.3

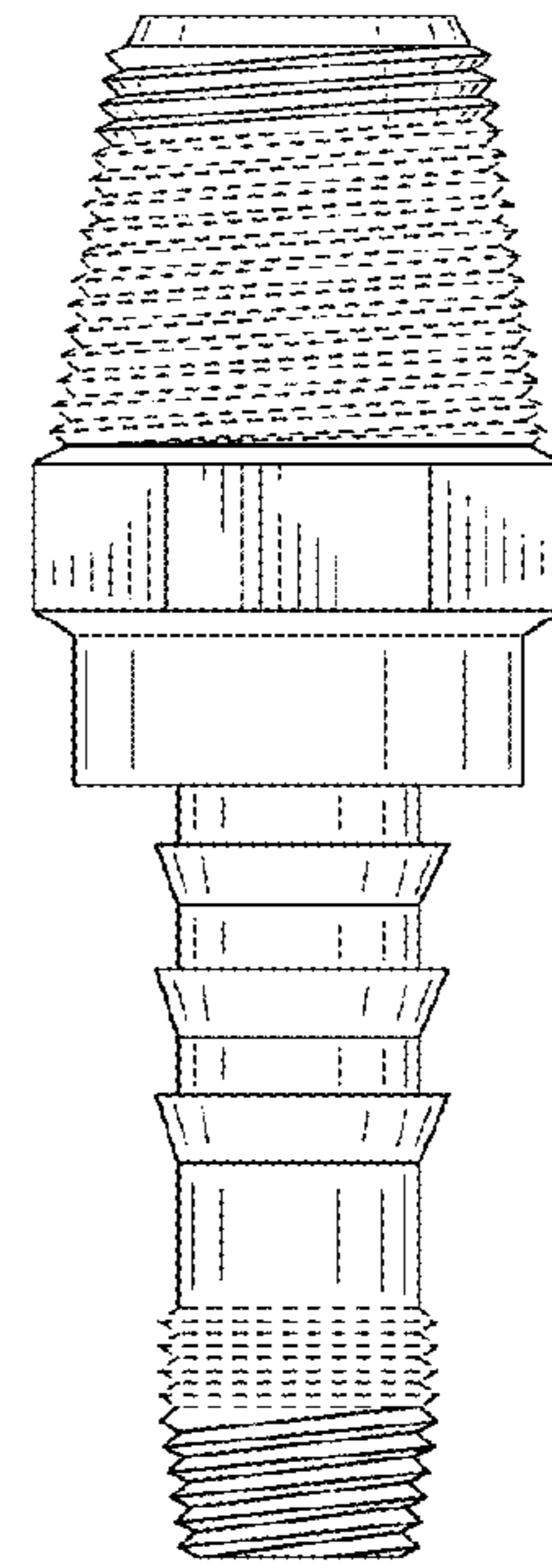


Fig.4

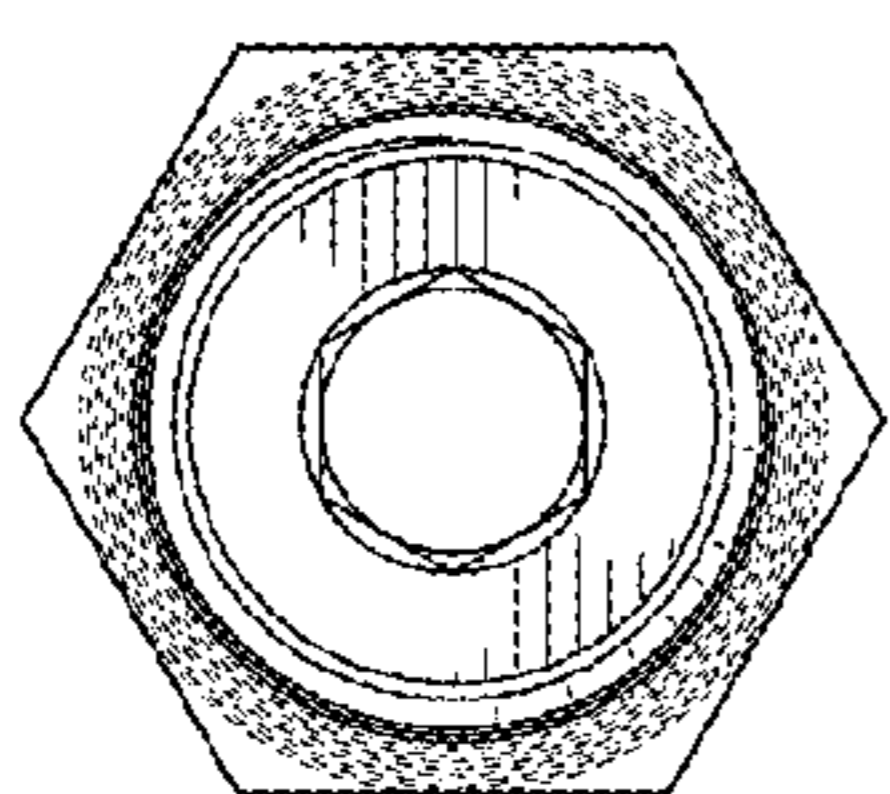


Fig.5

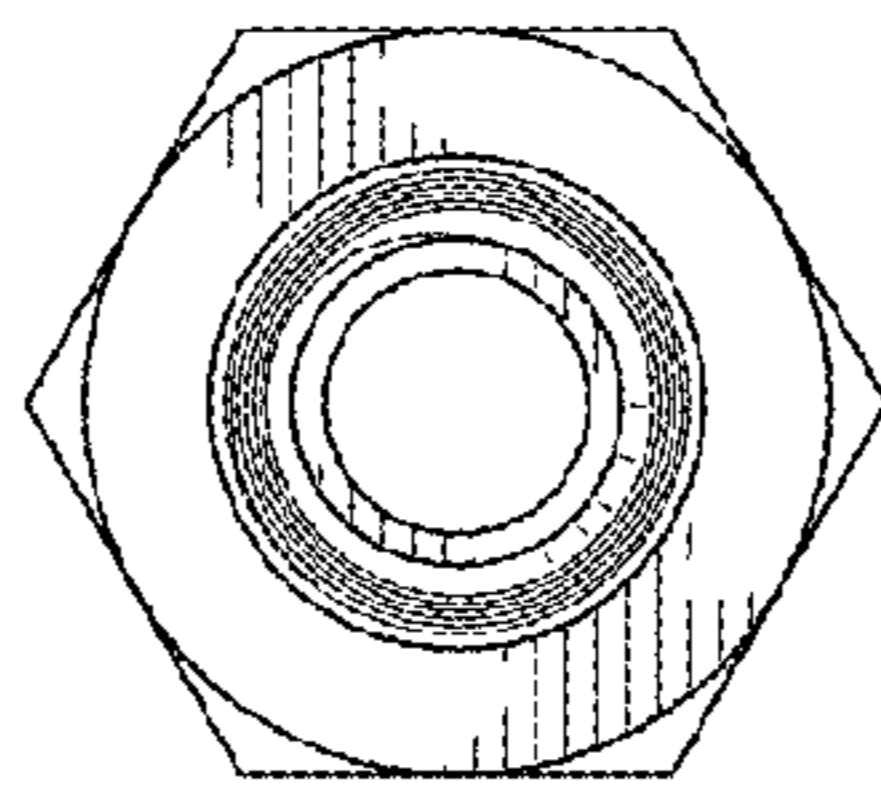


Fig.6

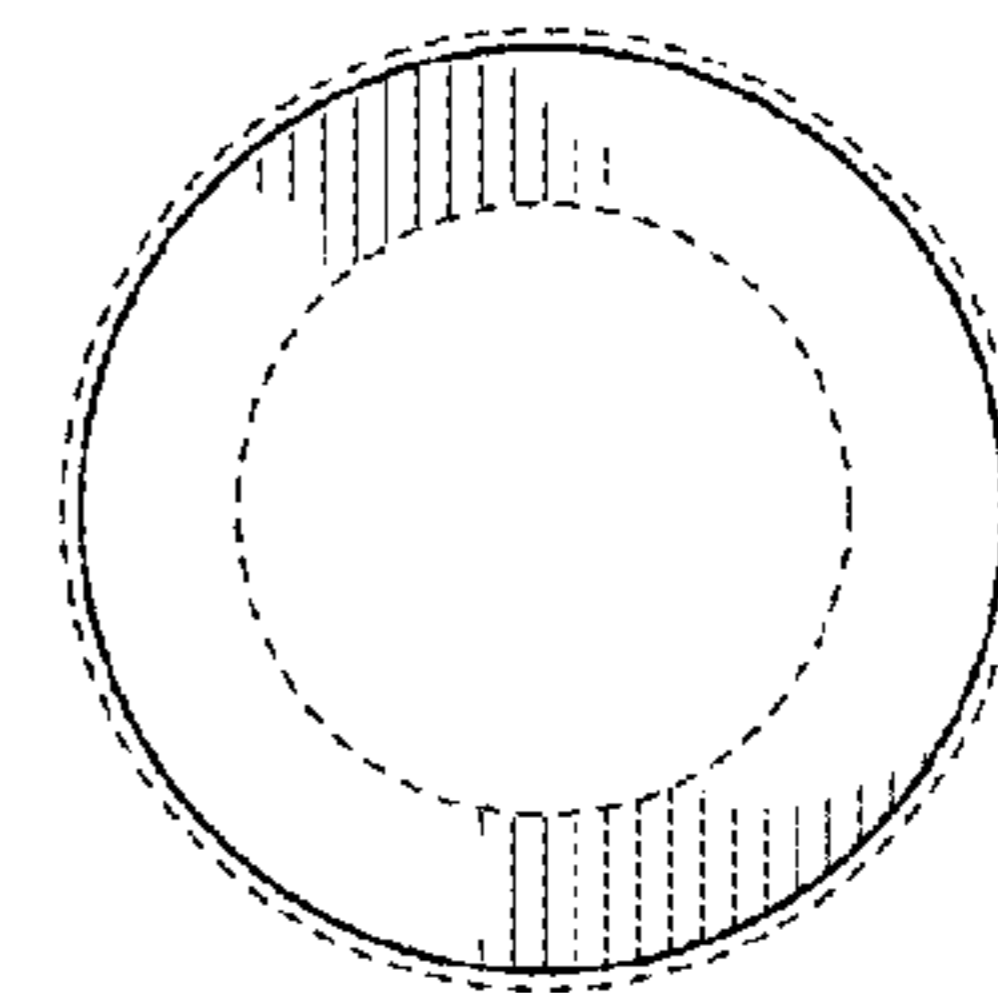


Fig.9

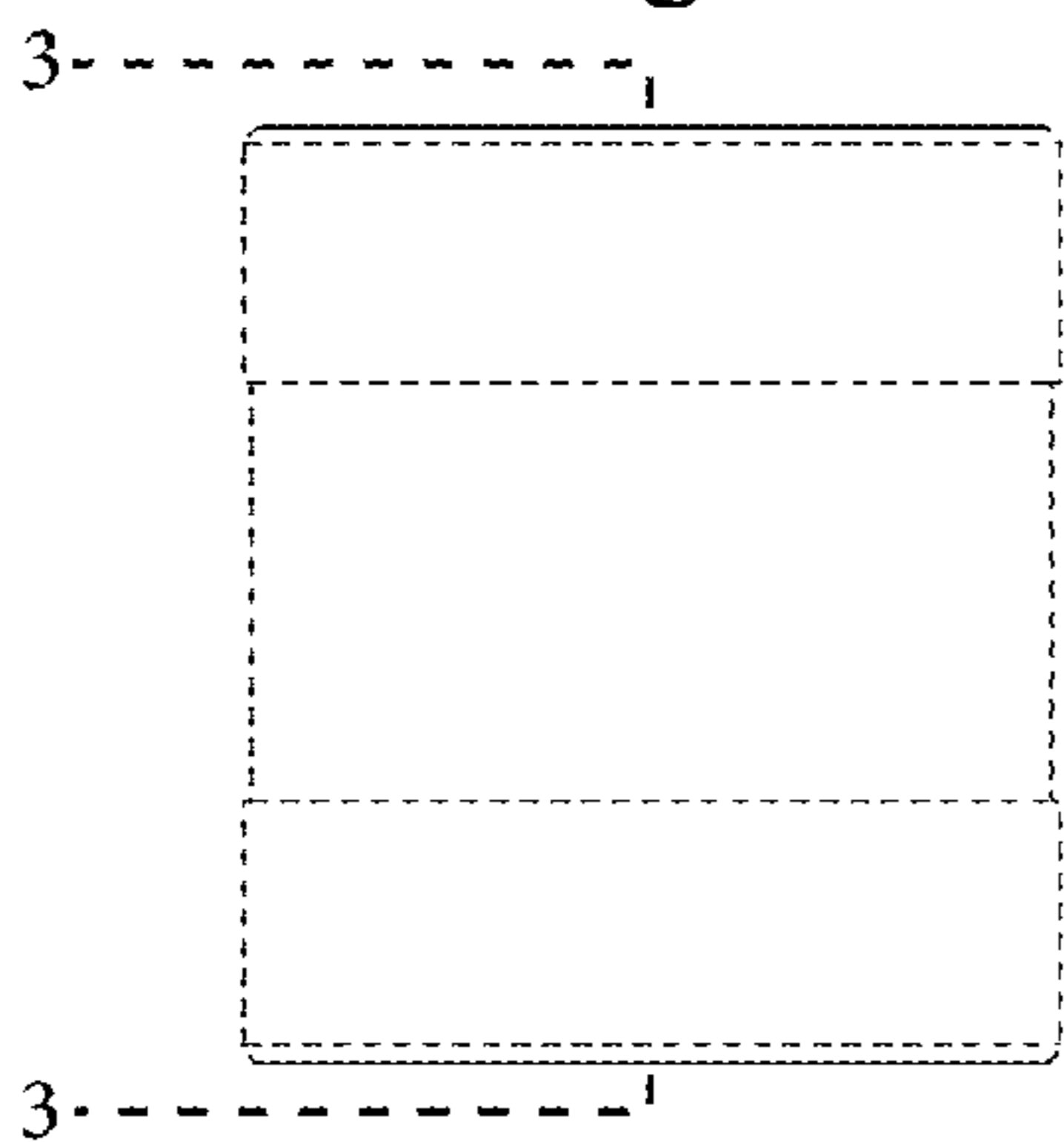


Fig.7

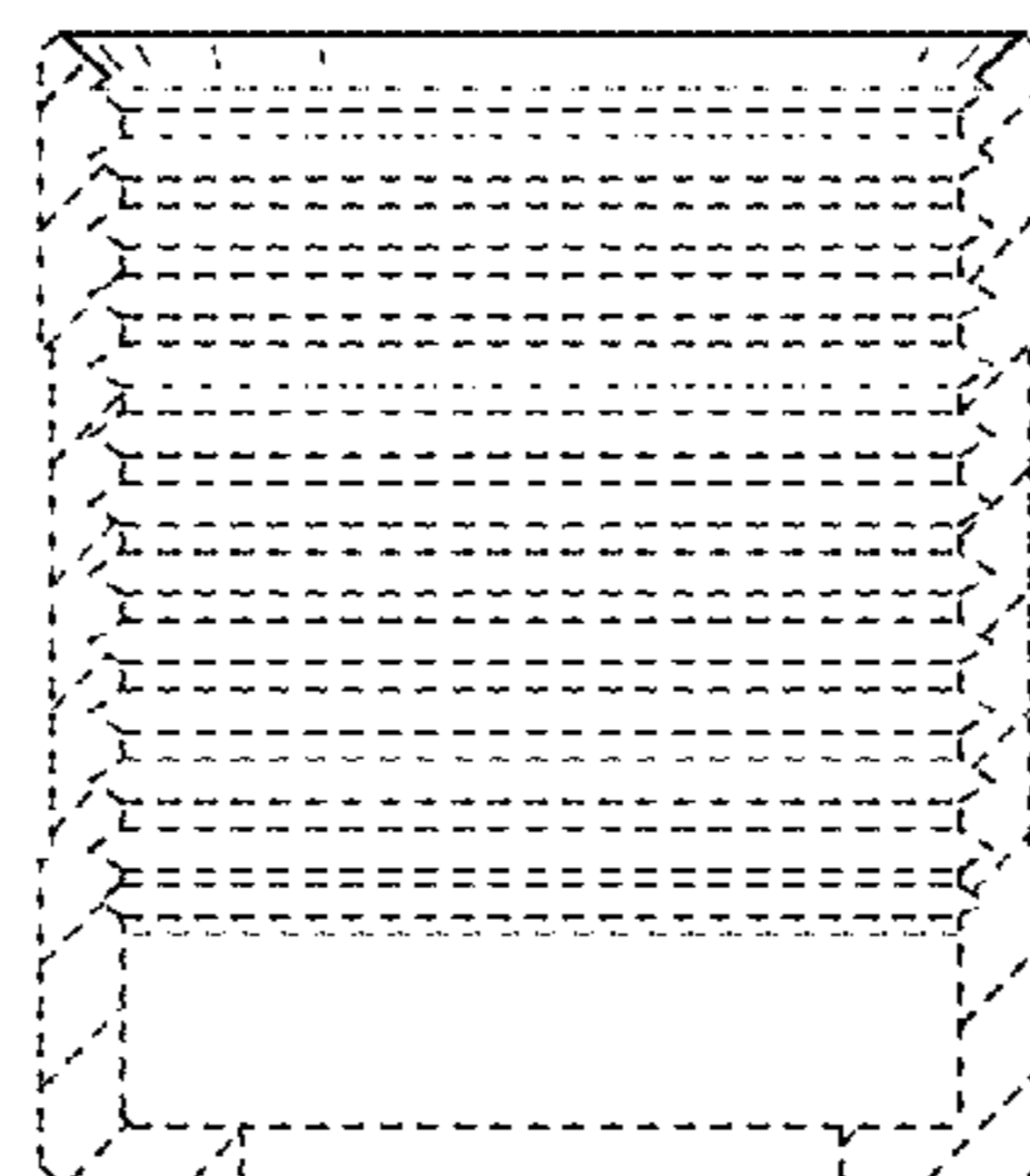


Fig.8

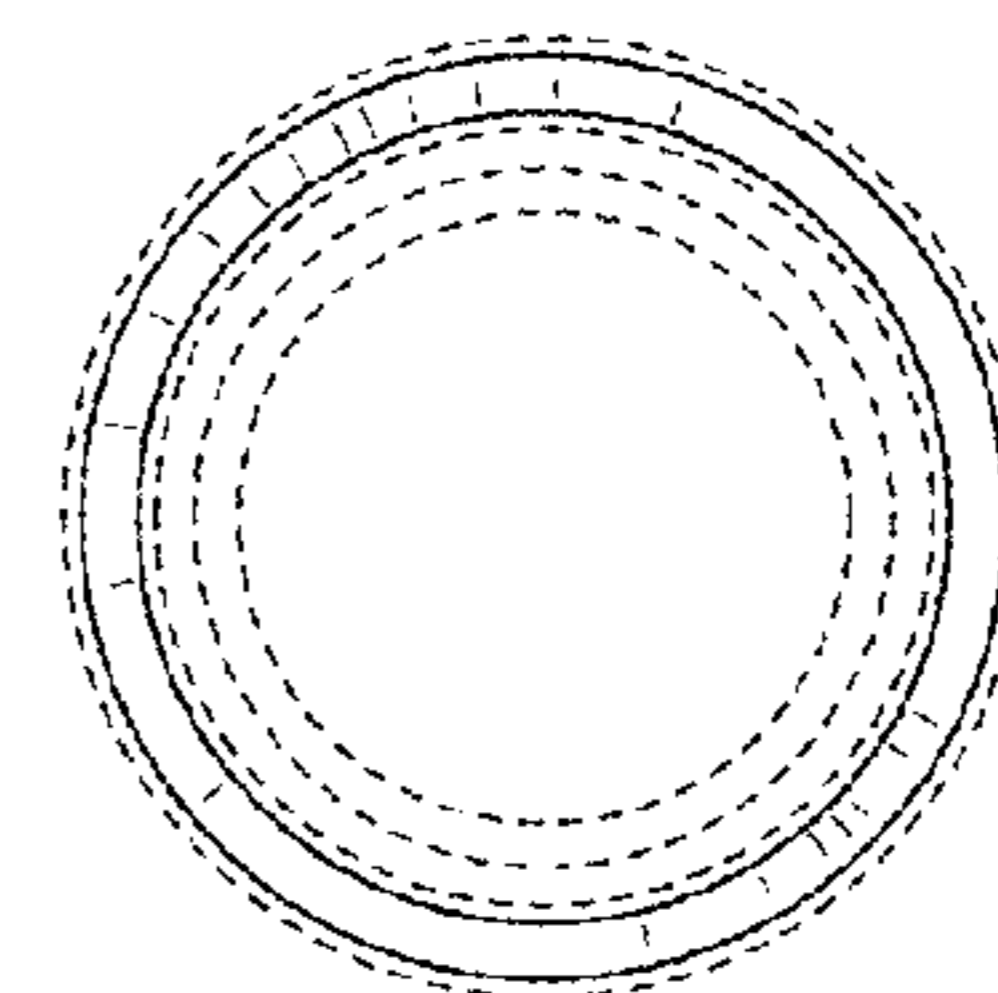


Fig.10