

US00D760874S

(12) **United States Design Patent**
Ball et al.

(10) **Patent No.:** **US D760,874 S**
(45) **Date of Patent:** **** Jul. 5, 2016**

- (54) **HYDRANT ENCLOSURE**
- (71) Applicant: **WCM Industries, Inc.**, Colorado Springs, CO (US)
- (72) Inventors: **William T. Ball**, Colorado Springs, CO (US); **Eric Pilarczyk**, Colorado Springs, CO (US)
- (73) Assignee: **WCM Industries, Inc.**, Colorado Springs, CO (US)

- D614,736 S * 4/2010 Freiler D23/260
- 8,042,565 B2 10/2011 Ball et al.
- D656,223 S * 3/2012 Cronje D23/233
- 8,353,309 B1 * 1/2013 Embry A62C 35/20
137/382
- D680,621 S * 4/2013 Foster D23/233
- D681,784 S * 5/2013 Liljegren D23/262
- D715,405 S * 10/2014 McAlpine D23/233
- D720,046 S * 12/2014 Morodomi D23/233
- D721,787 S * 1/2015 Yoshimura D23/233
- D721,788 S * 1/2015 Pifer D23/233
- D722,674 S * 2/2015 Lipkens D23/207
- D722,676 S * 2/2015 Gaertner D23/233

(**) Term: **14 Years**

(Continued)

(21) Appl. No.: **29/519,131**

OTHER PUBLICATIONS

(22) Filed: **Mar. 2, 2015**

Notice of Allowance for U.S. Appl. No. 29/514,306, mailed Apr. 24, 2015 10 pages.

(51) **LOC (10) Cl.** **23-01**

(Continued)

(52) **U.S. Cl.**

USPC **D23/259**

(58) **Field of Classification Search**

USPC D23/259, 233-237, 249, 260-263, 265, D23/266, 499; D24/129

CPC E03B 9/02; F16K 27/12; F16K 35/10; F16K 27/067; F16K 1/00; E03D 11/16; F16L 27/04; F16L 39/00; F16L 33/225; F16L 23/18; E21B 33/047

See application file for complete search history.

Primary Examiner — John Windmuller

Assistant Examiner — Steven Czyz

(74) *Attorney, Agent, or Firm* — Sheridan Ross P.C.

(57)

CLAIM

The ornamental design for a hydrant enclosure, as shown and described.

DESCRIPTION

(56) **References Cited**

U.S. PATENT DOCUMENTS

- D180,010 S * 4/1957 Britton et al. D23/235
- D216,791 S * 3/1970 Woodford et al. D23/234
- D228,554 S * 10/1973 Magorien et al. D23/263
- D245,255 S * 8/1977 Porter D23/260
- D275,616 S * 9/1984 Gray D10/84
- D283,204 S * 4/1986 McDonald D10/96
- D285,824 S * 9/1986 Anderson D23/214
- D318,718 S * 7/1991 Blatt D13/133
- 5,964,246 A * 10/1999 Meeker E03B 7/12
137/360
- 6,948,512 B2 * 9/2005 McKeague E03B 9/04
134/168 C
- D612,465 S * 3/2010 Salser D23/266

FIG. 1 is a perspective view of the hydrant enclosure showing the new design;

FIG. 2 is a front elevation view thereof;

FIG. 3 is a rear elevation view thereof;

FIG. 4 is a right elevation view thereof;

FIG. 5 is a left elevation view thereof;

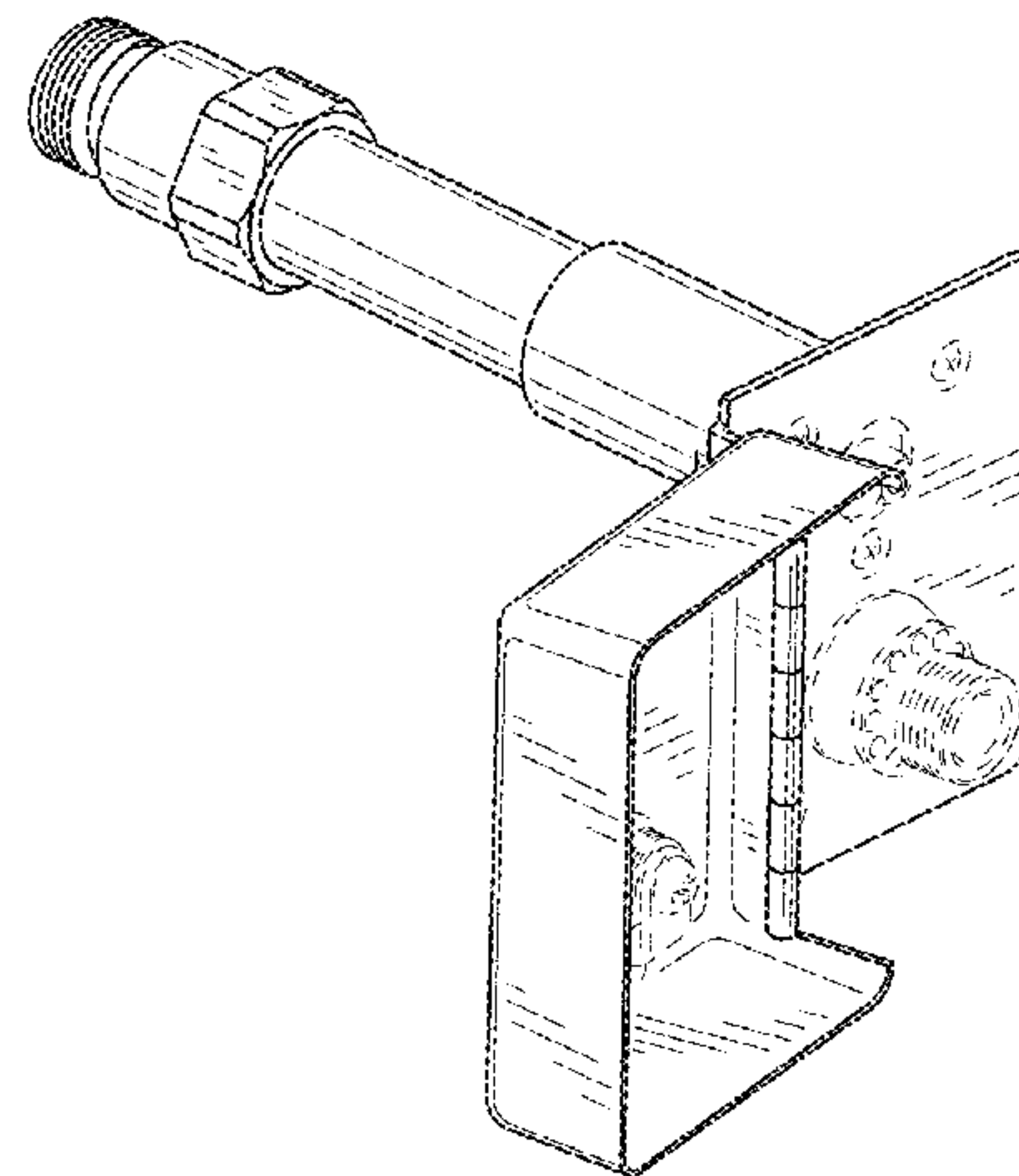
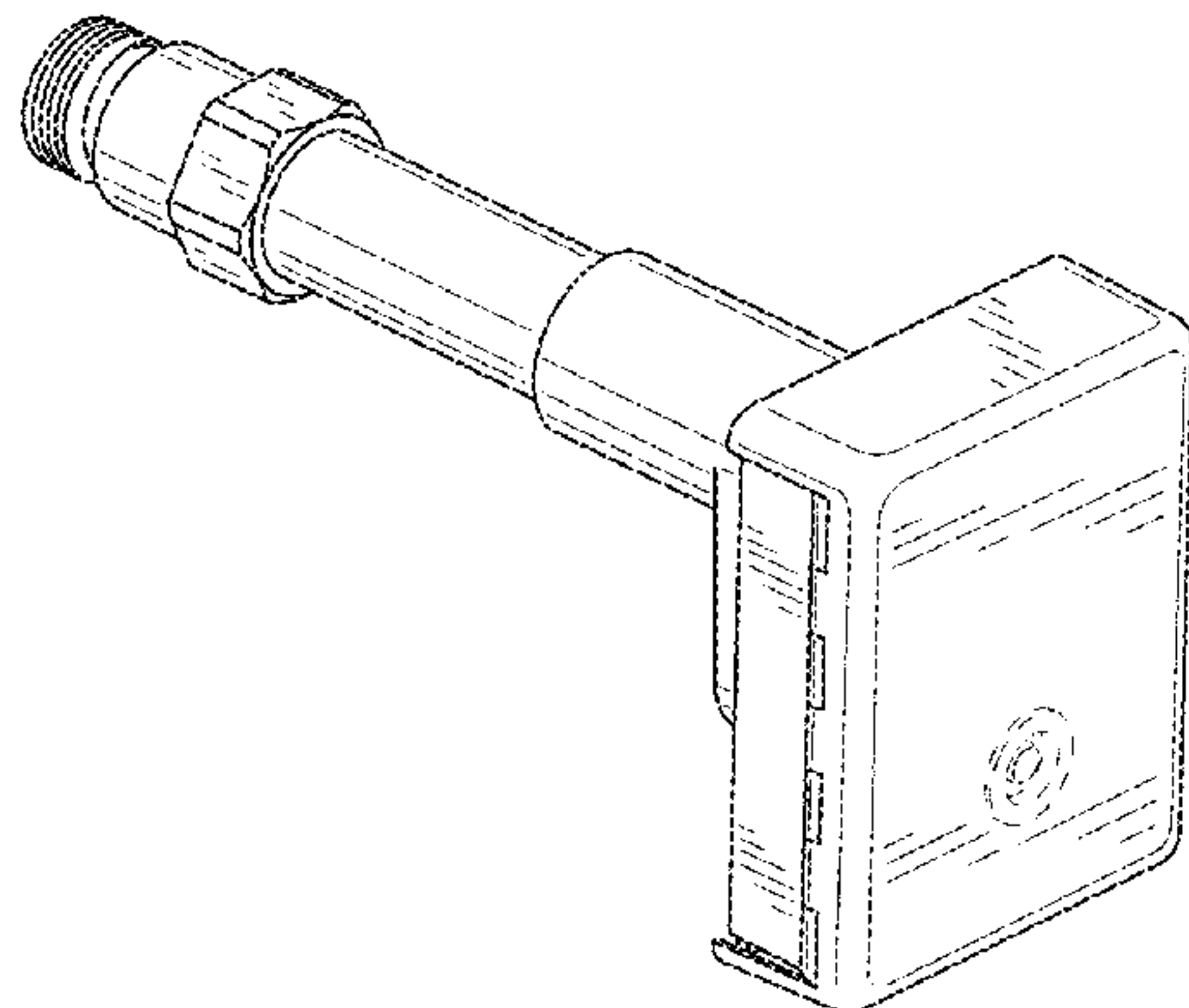
FIG. 6 is a top plan view thereof;

FIG. 7 is a bottom plan view thereof; and,

FIG. 8 is a perspective view thereof, wherein a door of the enclosure is shown in an open position.

The broken lines depict portions of the article that form no part of the claimed design.

1 Claim, 6 Drawing Sheets



(56)

References Cited

U.S. PATENT DOCUMENTS

8,973,599	B2	3/2015	Stanaland	
D729,352	S *	5/2015	Ball	D23/259
D729,353	S *	5/2015	Ball	D23/259
D733,844	S *	7/2015	Ball	D23/259
D733,845	S *	7/2015	Ball	D23/259
D737,942	S *	9/2015	Ball	D23/259
2004/0000337	A1 *	1/2004	Cooper	A62C 37/50 137/377
2006/0086921	A1 *	4/2006	Ball	E03B 9/025 251/148
2011/0062834	A1 *	3/2011	Ball	A62C 35/20 312/215
2014/0202558	A1 *	7/2014	Chou	F16K 27/12 137/377
2015/0000767	A1 *	1/2015	Ball	E03B 9/025 137/382
2015/0240460	A1	8/2015	Ball et al.	

OTHER PUBLICATIONS

Notice of Allowance for U.S. Appl. No. 29/514,307, mailed May 7, 2015 7 pages.

Notice of Allowance for U.S. Appl. No. 29/514,308, mailed Jul. 7, 2015 7 pages.

U.S. Appl. No. 29/529,465, filed Jun. 8, 2015, Ball et al.

U.S. Appl. No. 29/503,651, filed Sep. 29, 2014, Ball et al.

U.S. Appl. No. 29/503,653, filed Sep. 29, 2014, Ball et al.

Notice of Allowance for U.S. Appl. No. 29/503,651, mailed Mar. 3, 2015, 10 pages.

Notice of Allowance for U.S. Appl. No. 29/503,653, mailed Mar. 4, 2015, 10 pages.

Official Action for U.S. Appl. No. 29/514,306, mailed Mar. 4, 2015, 9 pages.

Official Action for U.S. Appl. No. 29/514,307, mailed Mar. 11, 2015, 7 pages.

Official Action for U.S. Appl. No. 29/514,308, mailed Mar. 11, 2015, 7 pages.

U.S. Appl. No. 29/514,306, filed Jan. 10, 2015, Ball et al.

U.S. Appl. No. 29/514,307, filed Jan. 10, 2015, Ball et al.

U.S. Appl. No. 29/514,308, filed Jan. 10, 2015, Ball et al.

U.S. Appl. No. 29/519,956, filed Mar. 9, 2015, Ball et al.

U.S. Appl. No. 29/519,957, filed Mar. 9, 2015, Ball et al.

* cited by examiner

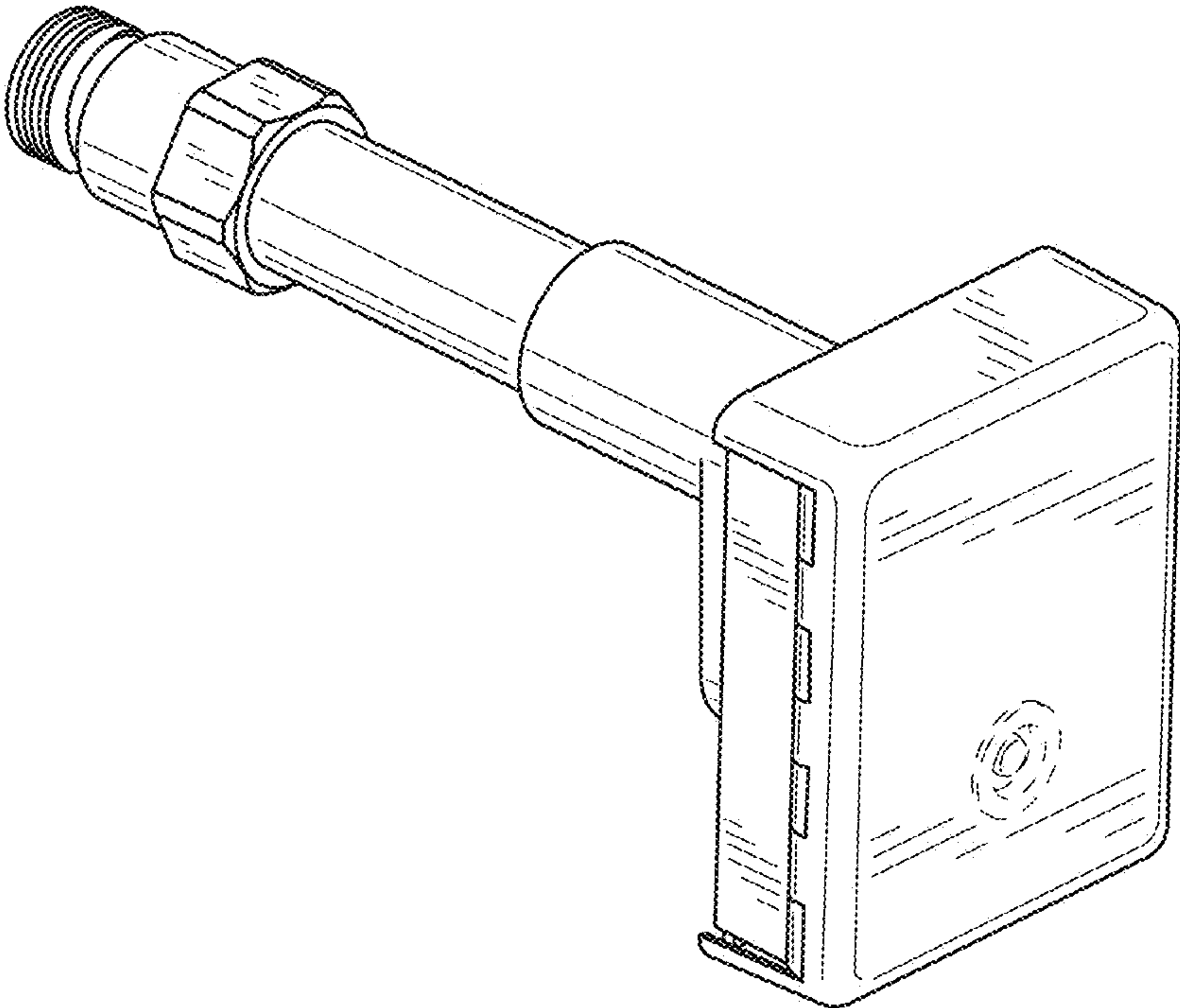


FIG. 1

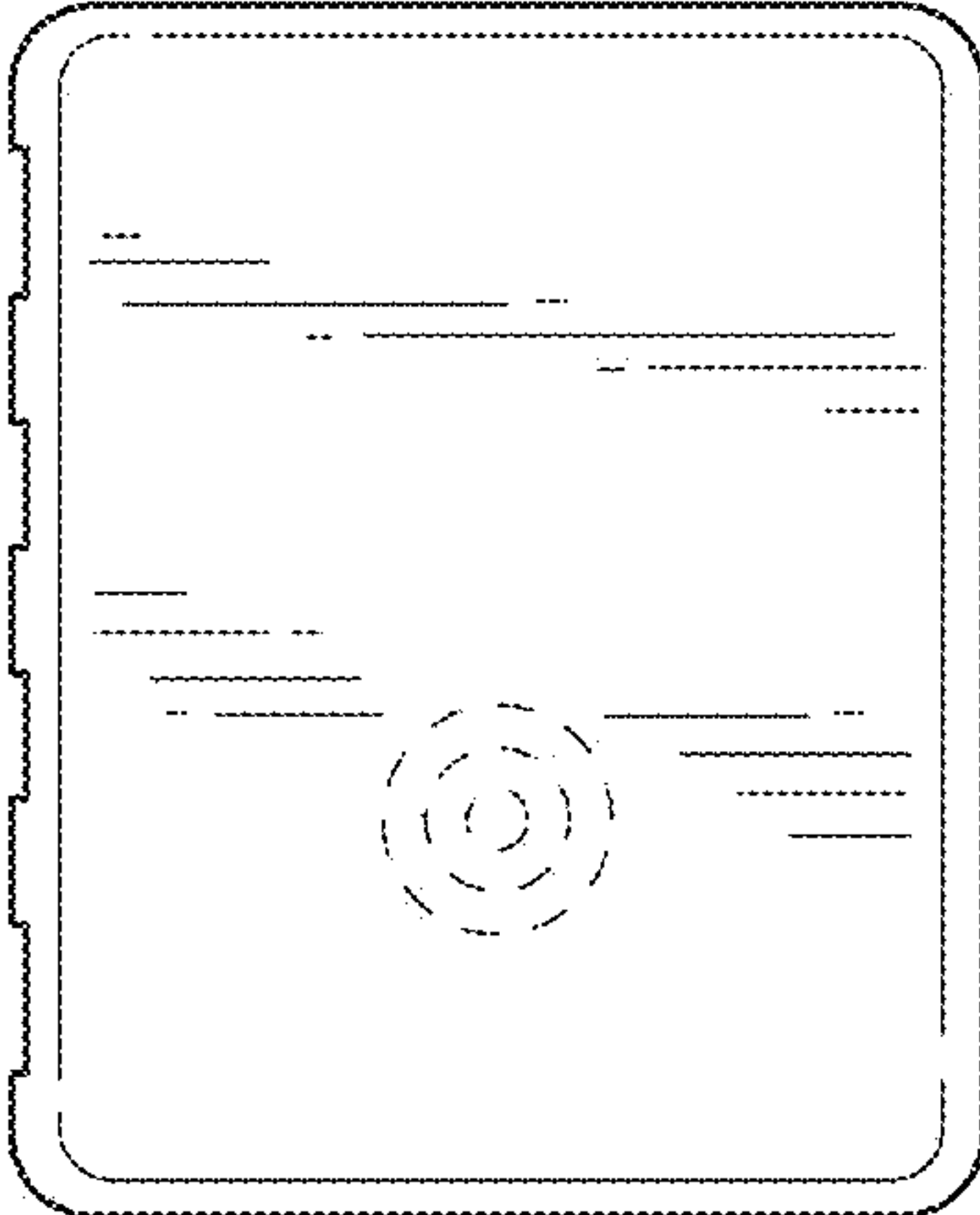


FIG. 2

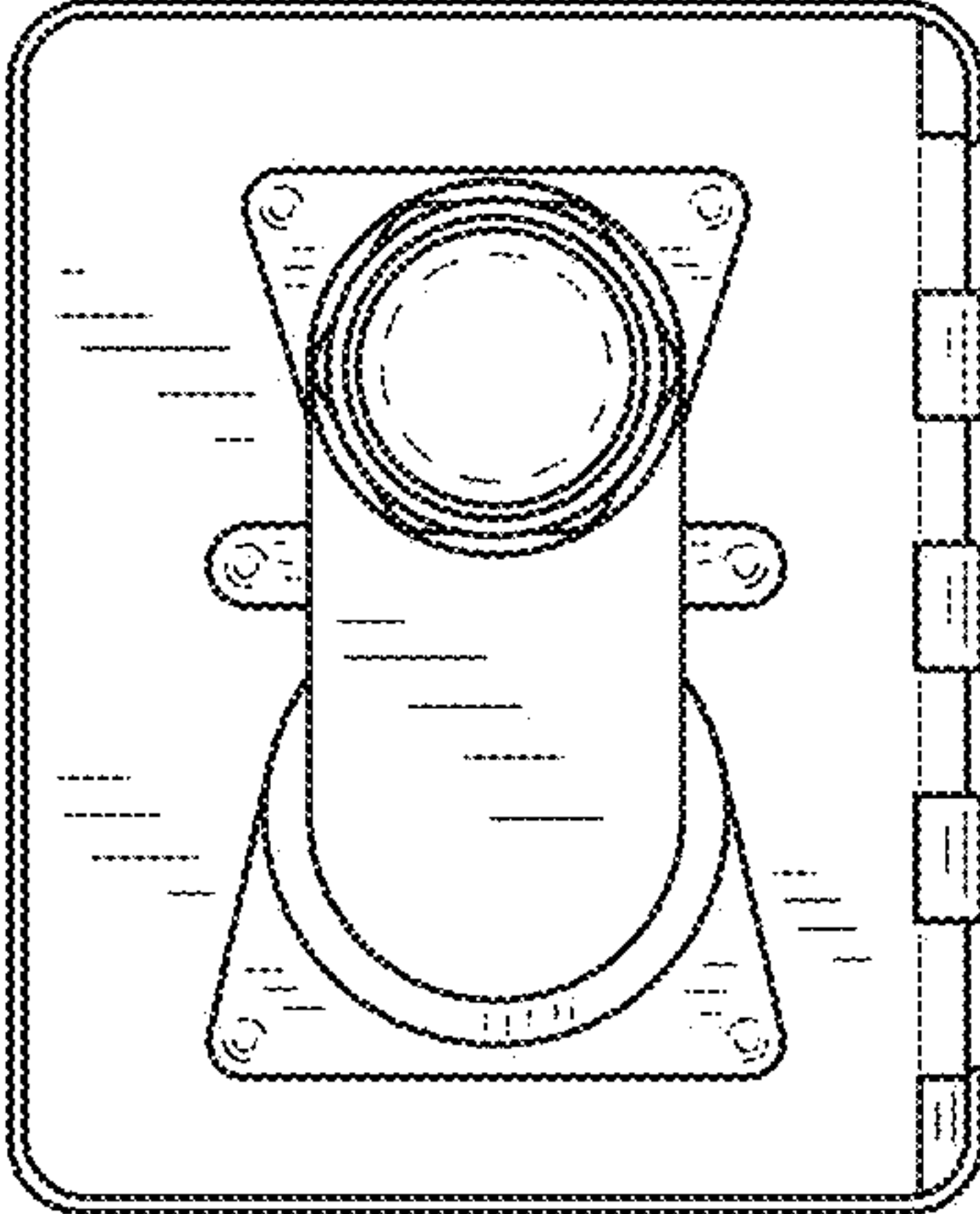


FIG. 3

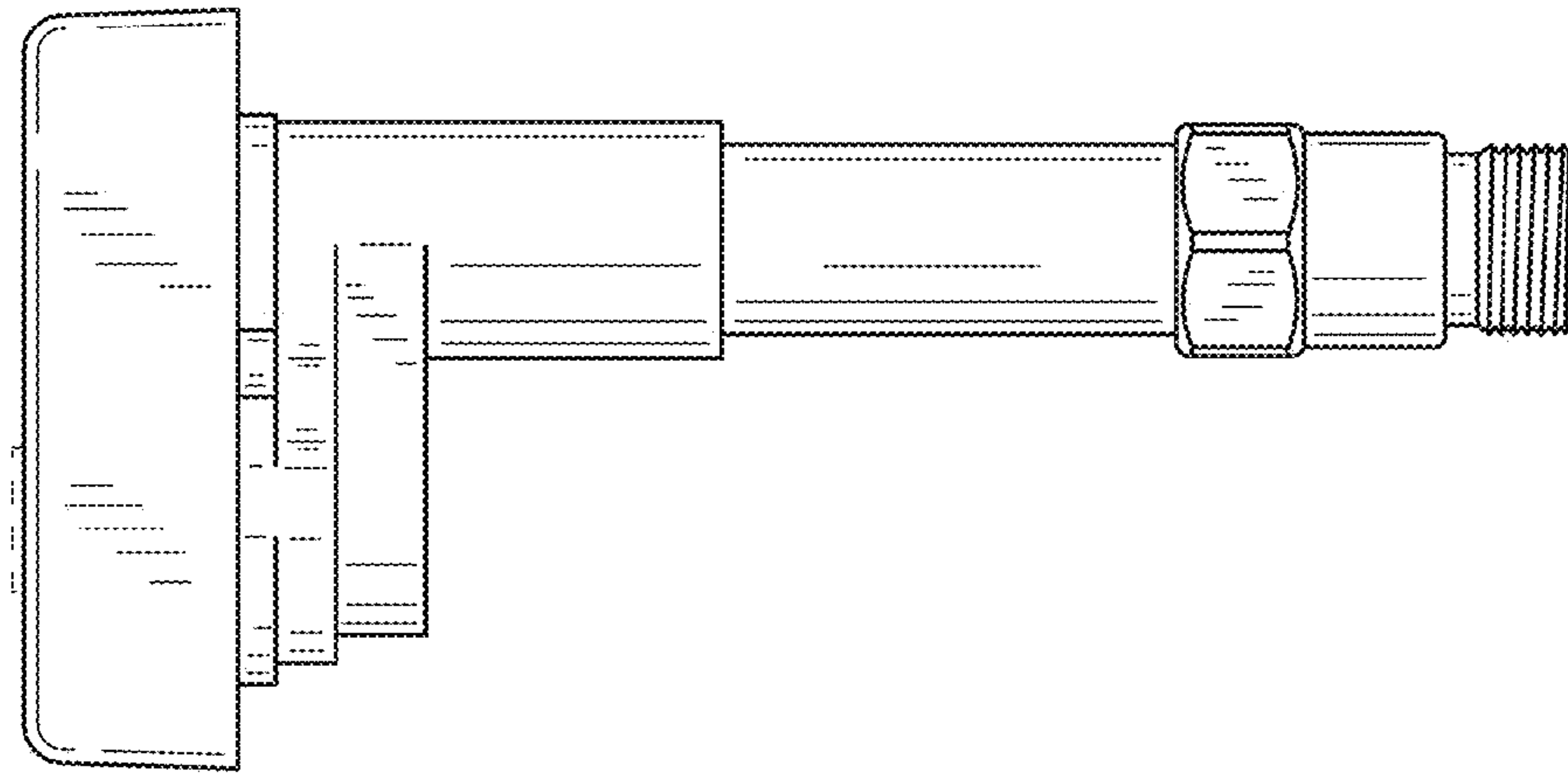


FIG. 4

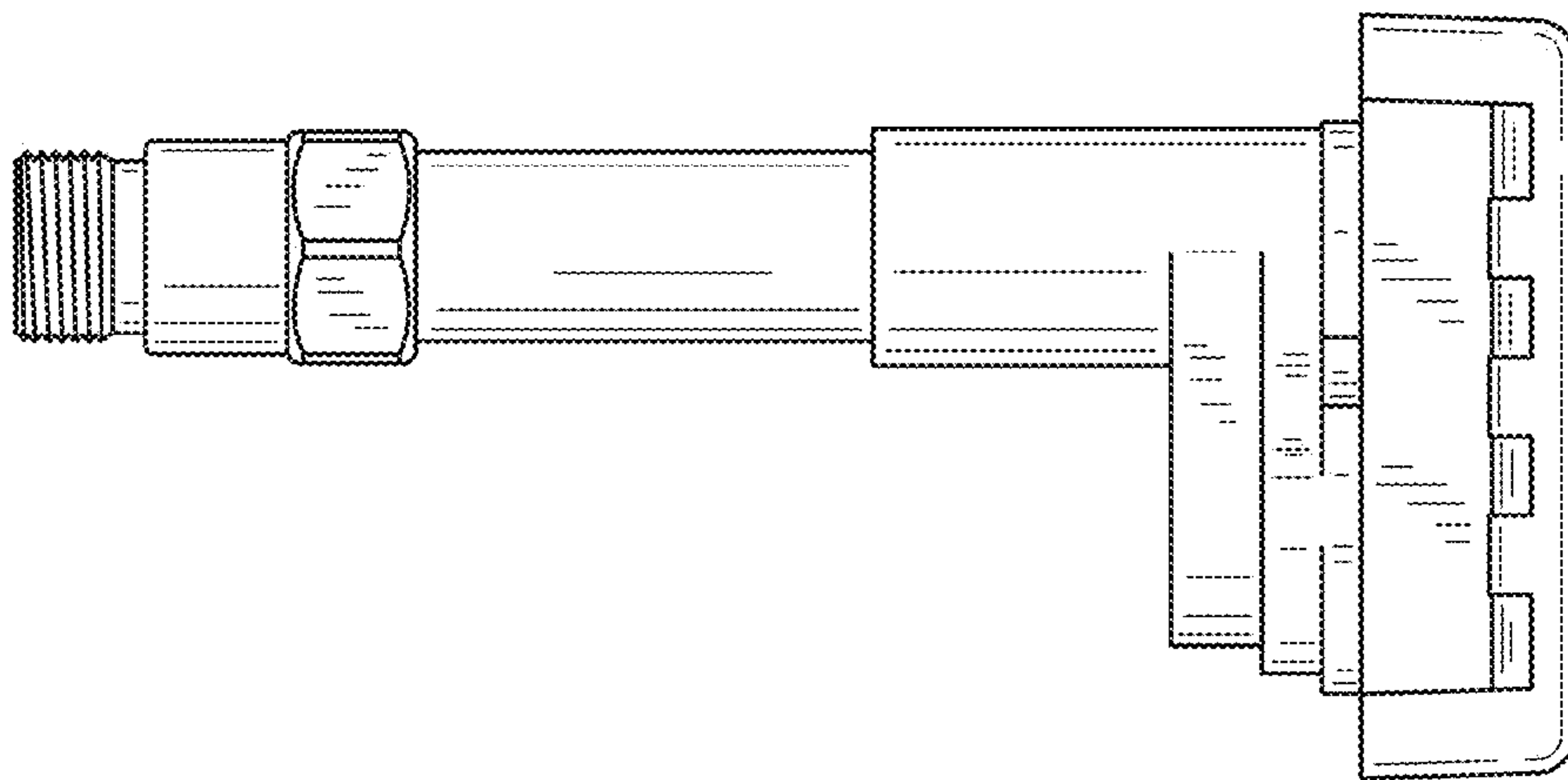


FIG. 5

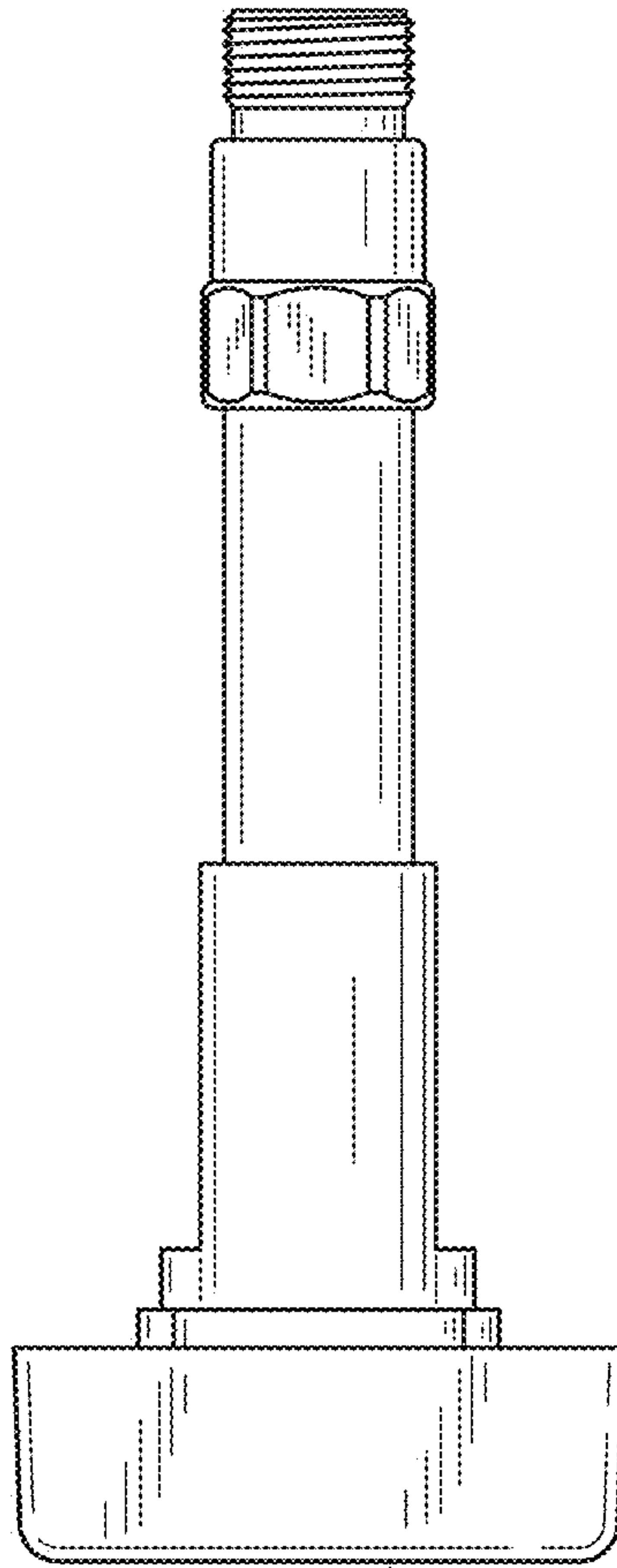


FIG.6

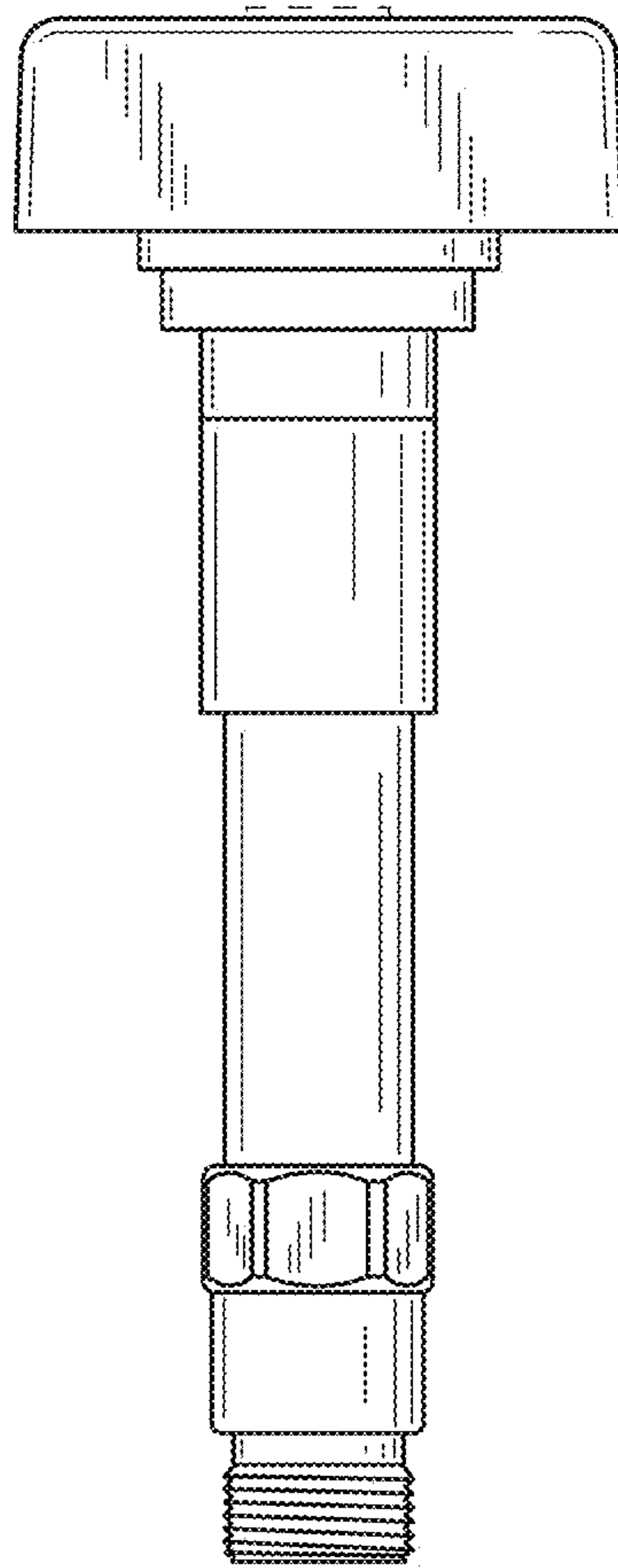


FIG.7

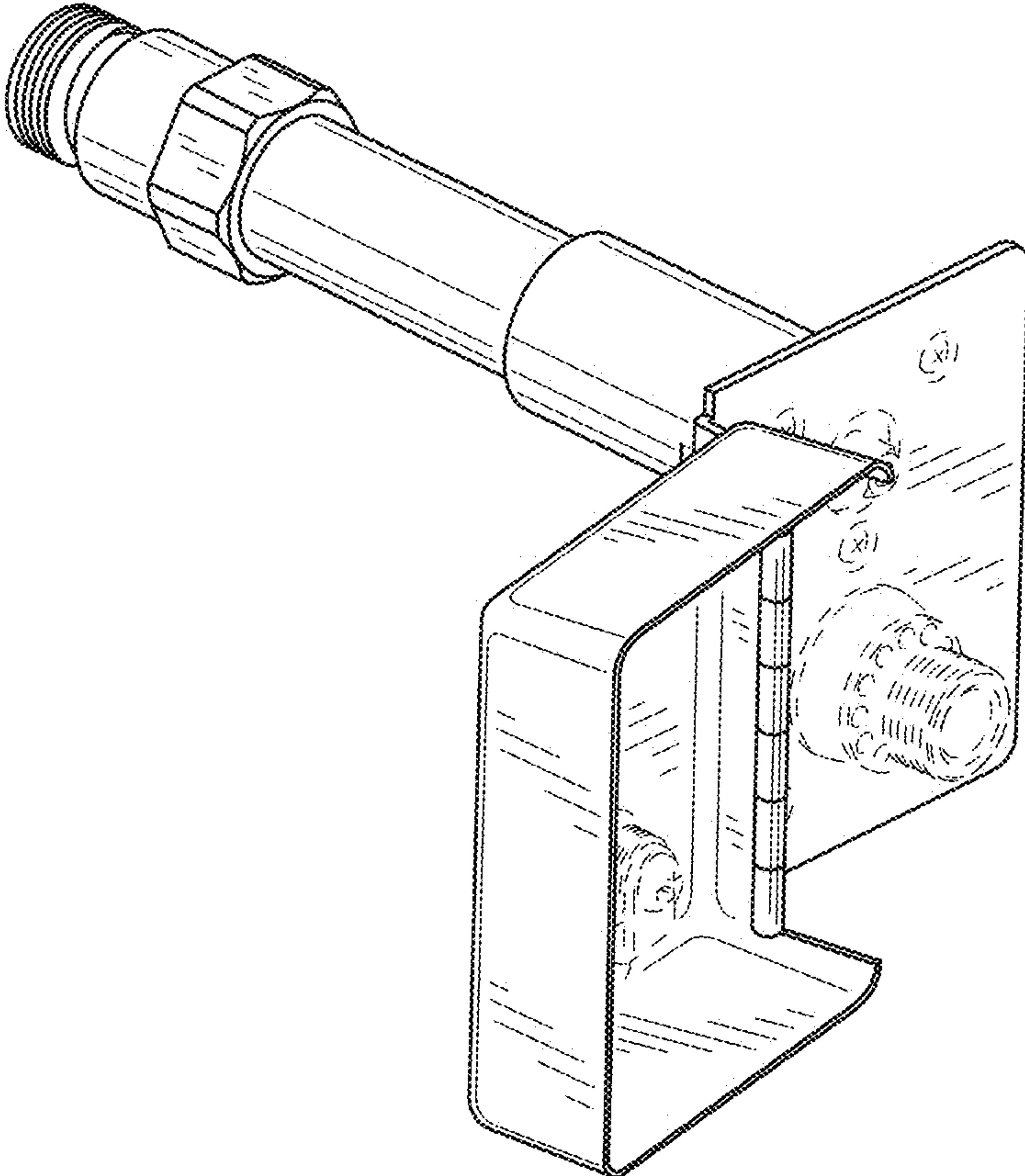


FIG.8