



US00D760873S

(12) **United States Design Patent**
Koelper et al.

(10) **Patent No.:** **US D760,873 S**
(45) **Date of Patent:** **** Jul. 5, 2016**

- (54) **CONNECTORS FOR A Y-CONNECTOR**
- (71) Applicant: **Corpak MedSystems, Inc.**, Buffalo Grove, IL (US)
- (72) Inventors: **Crystal E. Koelper**, North Barrington, IL (US); **John L. Morici**, Wauconda, IL (US)
- (73) Assignee: **CORPAK MEDSYSTEMS, INC.**, Buffalo Grove, IL (US)
- (**) Term: **14 Years**
- (21) Appl. No.: **29/510,184**
- (22) Filed: **Nov. 25, 2014**
- (51) **LOC (10) Cl.** **23-01**
- (52) **U.S. Cl.**
USPC **D23/259**
- (58) **Field of Classification Search**
USPC D23/259–263, 266–269, 233; 251/215, 251/216; 285/369, 372, 373, 417, 133.11, 285/133.3, 133.21, 133.4, 133.5, 133.6
CPC F16L 11/00; F16L 37/252; F16L 41/007; E03C 1/26; E03C 1/262; E03C 1/28; E03F 5/04; A61B 5/00; A61M 25/09016
See application file for complete search history.

- 4,162,546 A * 7/1979 Shortell D06F 39/083 137/602
- 4,474,392 A * 10/1984 Vassallo F16L 37/084 285/347
- 4,480,656 A * 11/1984 Johnson D06F 39/08 134/186
- 4,583,772 A * 4/1986 Vassallo F16L 37/084 285/347
- 5,007,664 A * 4/1991 Mann B23K 9/325 285/132.1
- 5,104,150 A * 4/1992 Bard F16L 19/062 138/89
- 5,257,826 A * 11/1993 Prassas F16L 47/04 285/12
- 5,344,193 A * 9/1994 Rio F16L 35/00 137/312
- D389,562 S * 1/1998 Picton D23/263
- D435,637 S * 12/2000 Wales D23/263
- D456,494 S * 4/2002 Whitfield D23/259
- 6,442,879 B1 * 9/2002 Callendar A47G 1/0616 206/486
- D612,918 S * 3/2010 Alcebo D23/266
- D650,888 S * 12/2011 Moretto D23/259
- D654,990 S * 2/2012 Coley D23/266
- D658,273 S * 4/2012 Cardo D23/263

* cited by examiner

Primary Examiner — Sandra Snapp
(74) *Attorney, Agent, or Firm* — K&L Gates LLP

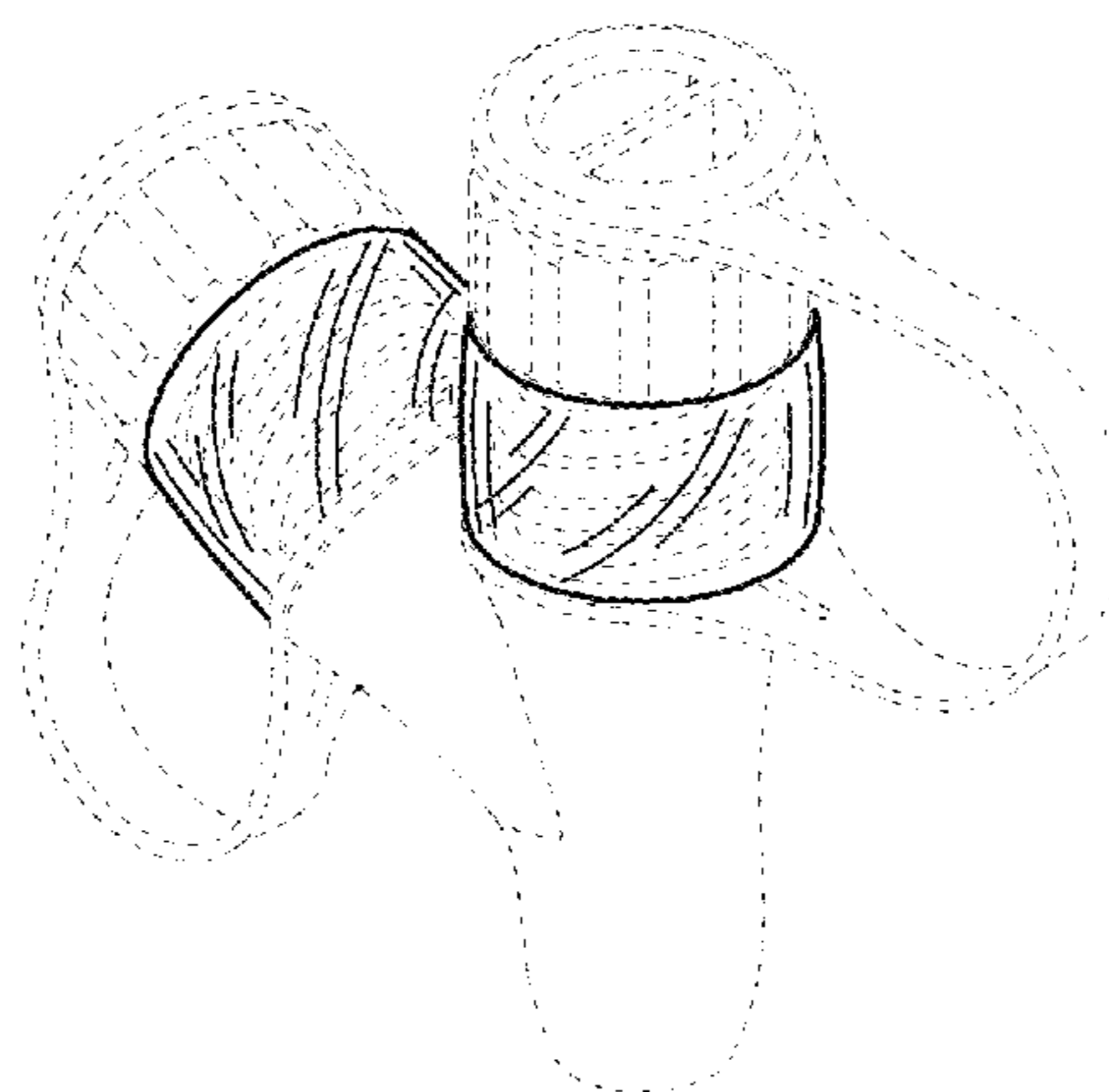
(57) **CLAIM**
The ornamental design for connectors for a Y-connector, as shown and described.

DESCRIPTION

FIG. 1 illustrates a perspective view of connectors for a Y-connector according to the present invention; FIG. 2 illustrates a front side elevational view thereof; FIG. 3 illustrates a back side elevational view thereof; FIG. 4 illustrates a right side elevational view thereof; FIG. 5 illustrates a left side elevational view thereof; FIG. 6 illustrates a top plan view thereof; FIG. 7 illustrates a bottom plan view thereof; and, FIG. 8 illustrates a front side elevational view thereof. The ornamental design that is claimed is shown in solid lines in the drawings. Any broken lines in the drawings are for illustrative purposes only and form no part of the claimed design.

1 Claim, 4 Drawing Sheets

- (56) **References Cited**
U.S. PATENT DOCUMENTS
- 1,910,070 A * 5/1933 Spaeth F16L 37/252 141/382
- D204,184 S * 3/1966 Schulze D23/263
- 3,291,670 A * 12/1966 Usab B29C 49/04 156/245
- 3,346,887 A * 10/1967 Sommer E03C 1/122 285/129.1
- 3,376,897 A * 4/1968 Dolder F16L 41/023 137/861
- 3,894,302 A * 7/1975 Lasater E03C 1/1225 138/37
- 4,070,044 A * 1/1978 Carrow B29C 66/7394 156/86



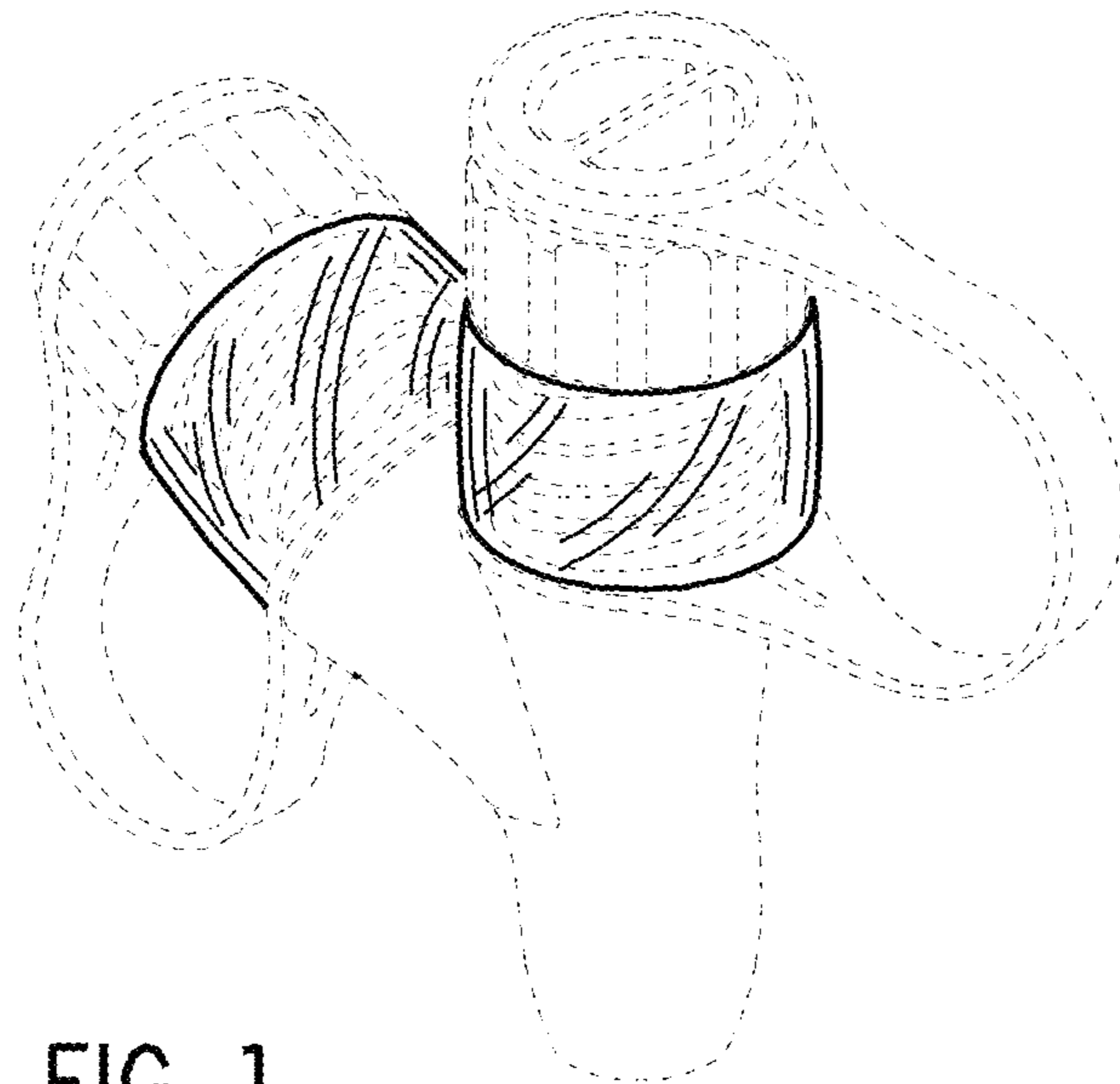


FIG. 1

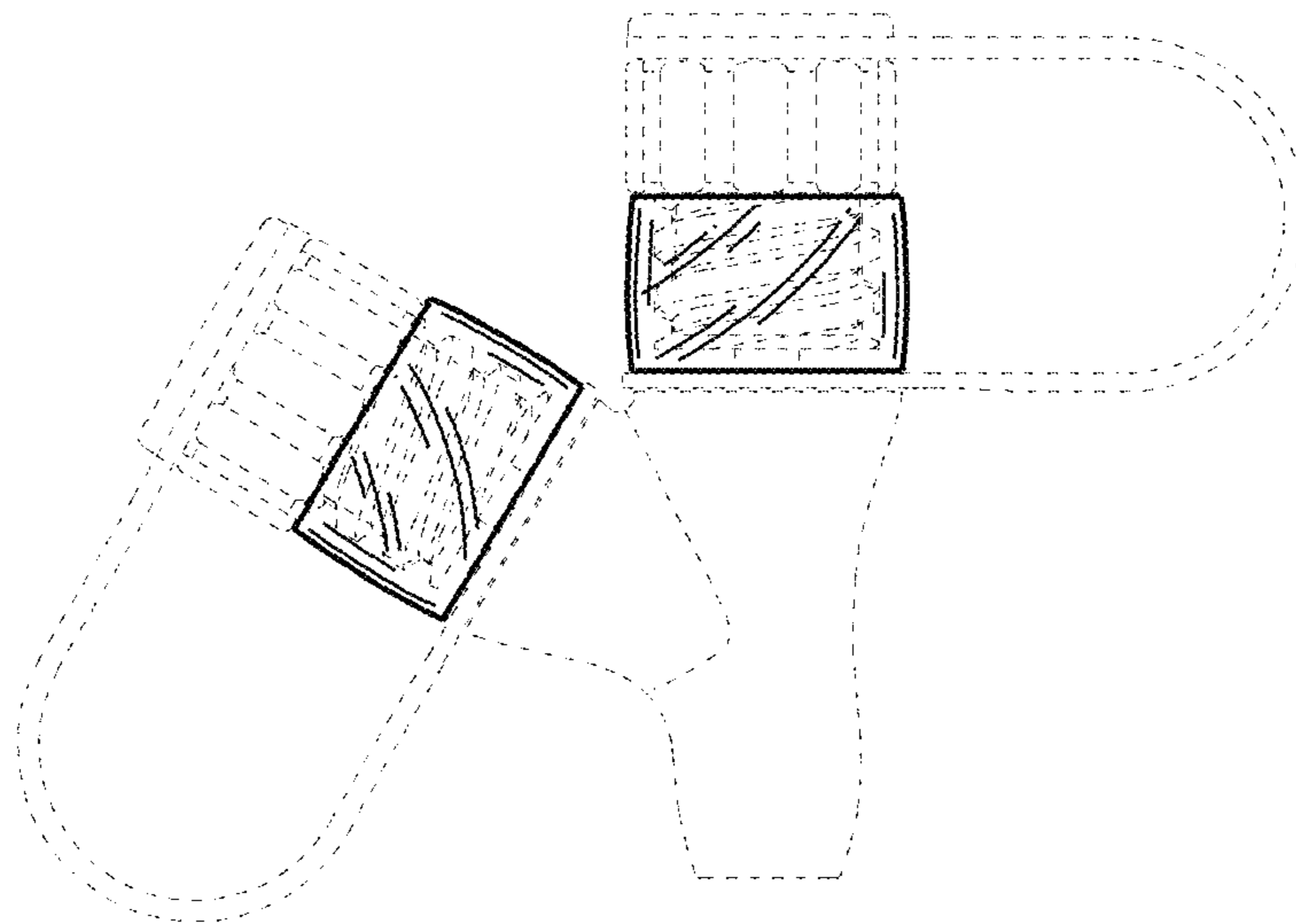


FIG. 2

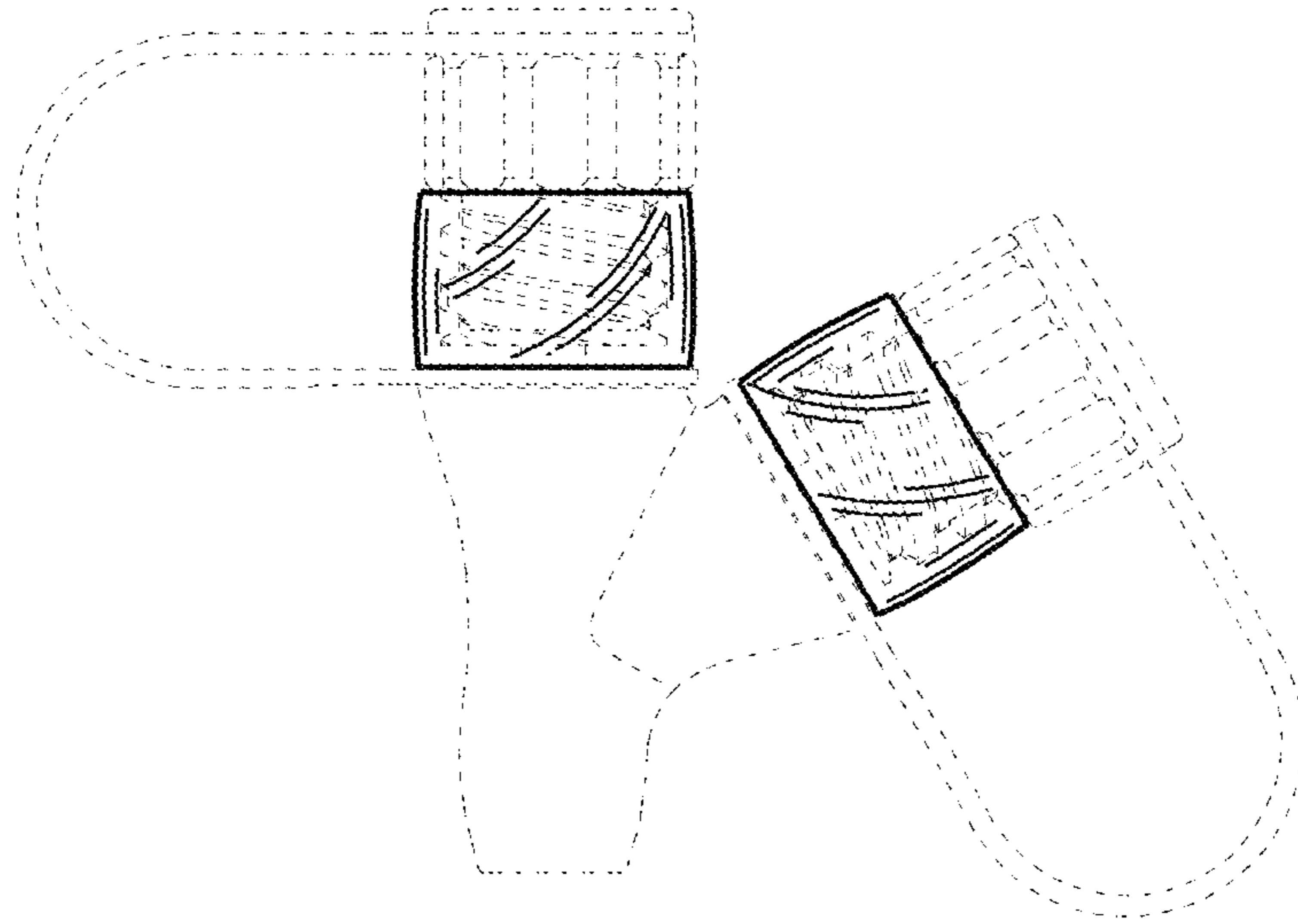


FIG. 3

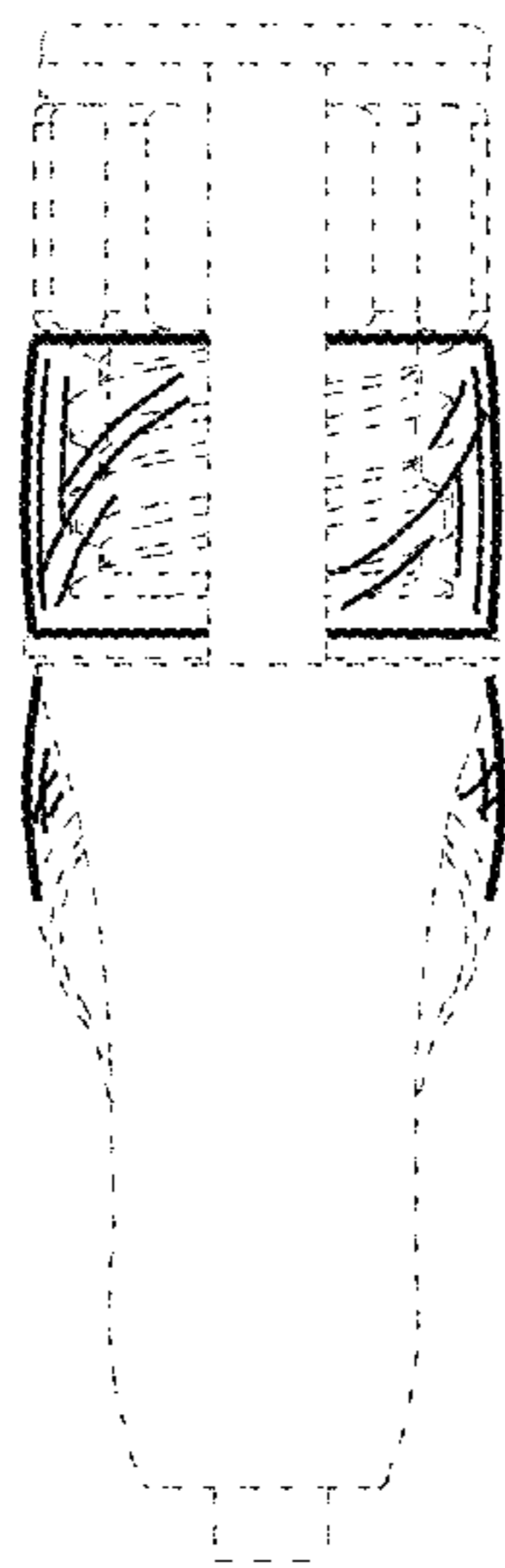


FIG. 4

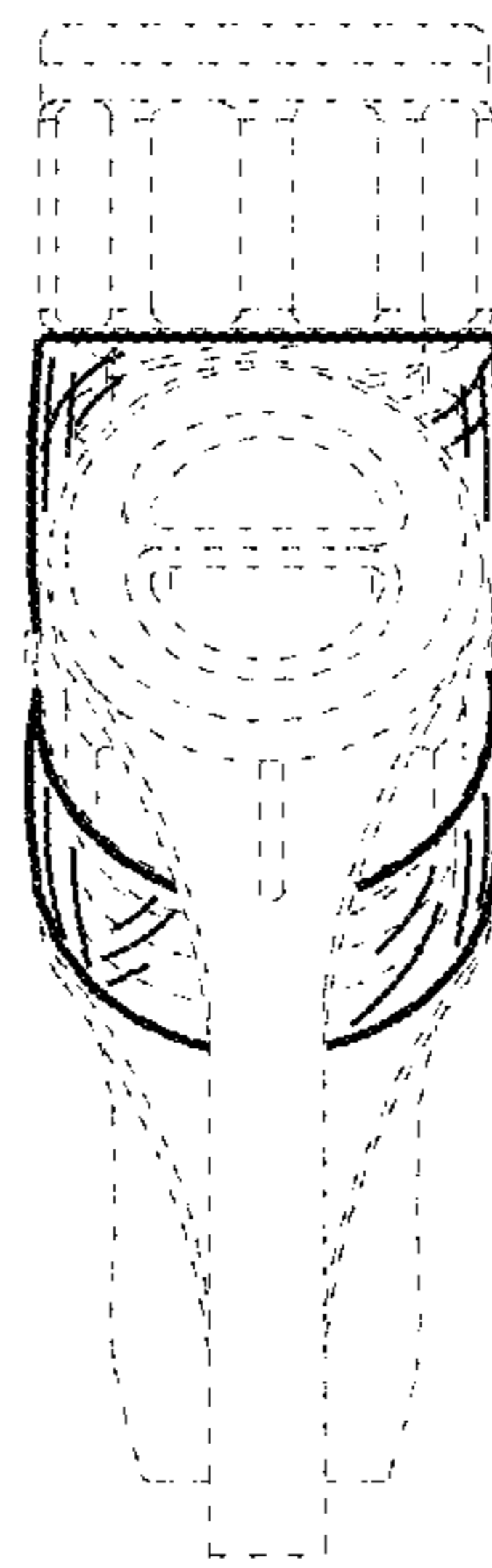


FIG. 5

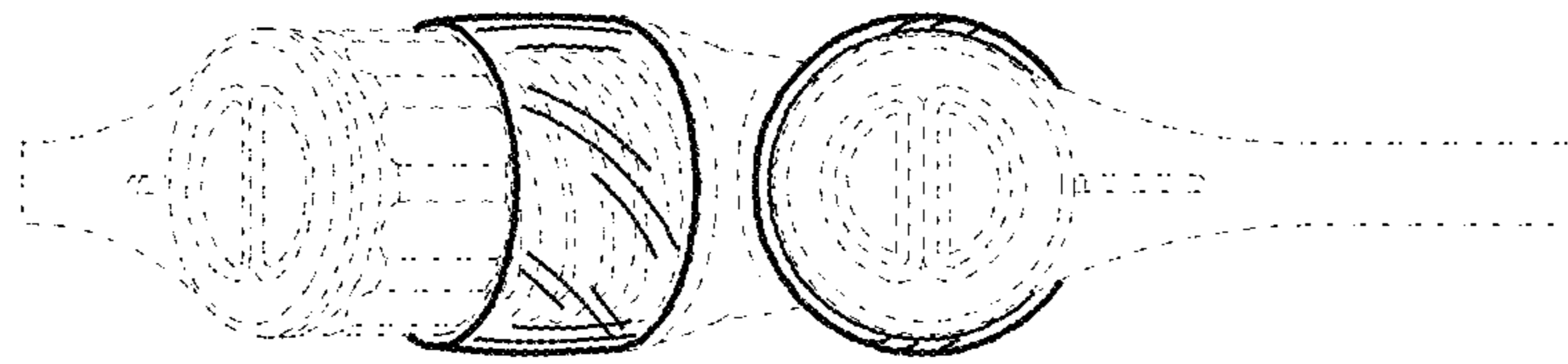


FIG. 6

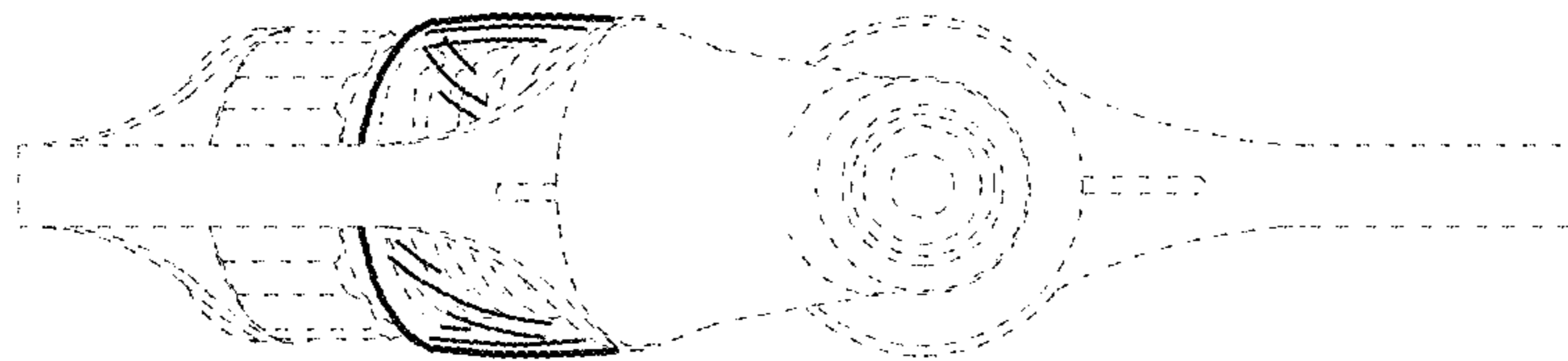


FIG. 7

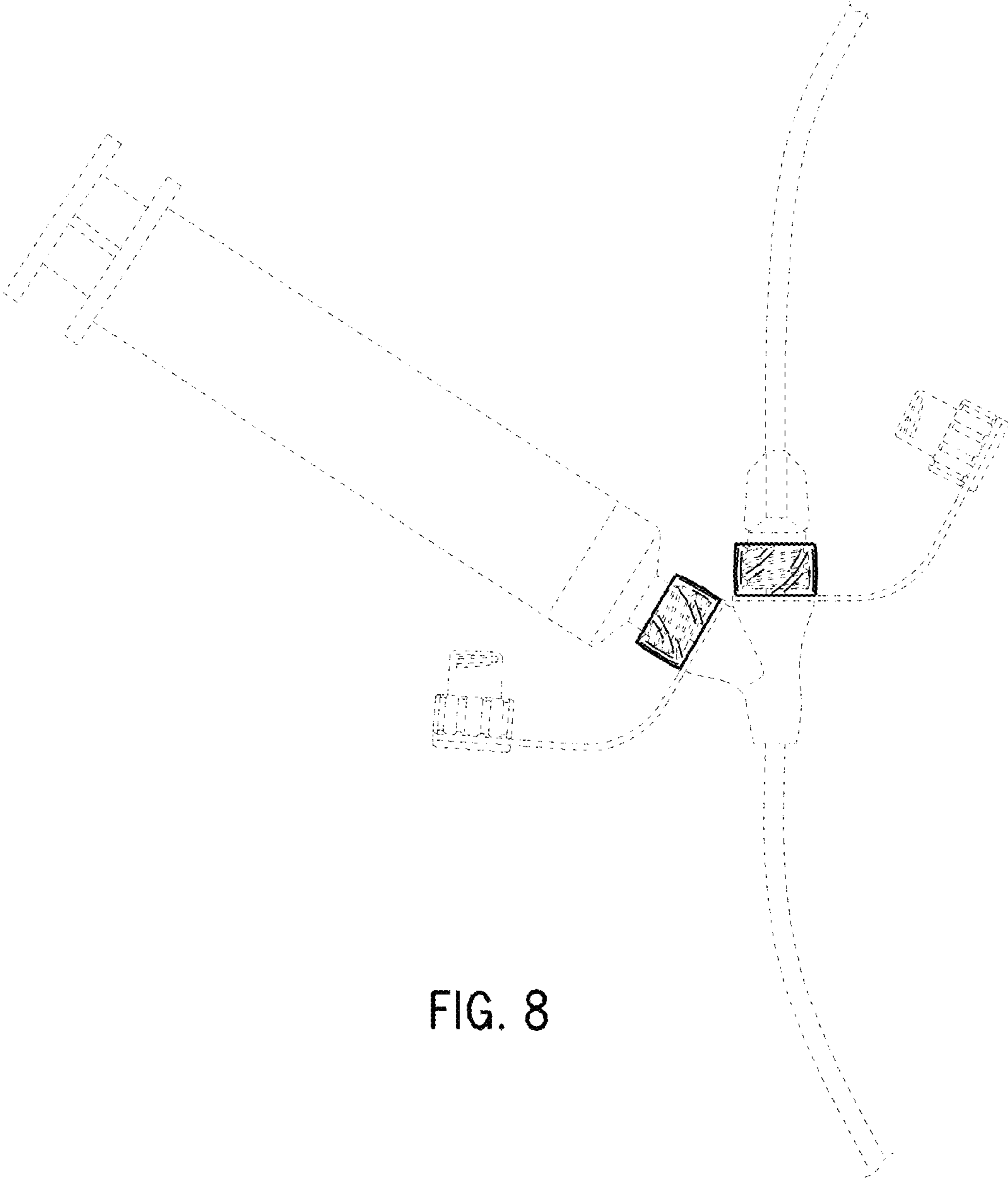


FIG. 8