



US00D760871S

(12) **United States Design Patent**
Boyer

(10) **Patent No.:** **US D760,871 S**
(45) **Date of Patent:** **** Jul. 5, 2016**

(54) **GAS PRESSURE REGULATOR HAVING
STACKED INDICATORS**

(71) Applicant: **Victor Equipment Company**, Denton,
TX (US)

(72) Inventor: **Robert A. Boyer**, Flower Mound, TX
(US)

(73) Assignee: **Victor Equipment Company**, Denton,
TX (US)

(**) Term: **14 Years**

(21) Appl. No.: **29/481,054**

(22) Filed: **Jan. 31, 2014**

Related U.S. Application Data

(63) Continuation of application No. 29/333,532, filed on
Mar. 11, 2009, now abandoned.

(51) **LOC (10) Cl.** **23-01**

(52) **U.S. Cl.**
USPC **D23/233**

(58) **Field of Classification Search**
USPC D23/259-263, 266-269, 233; 251/215,
251/216; 285/369, 372, 373, 417, 133.11,
285/133.3, 133.21, 133.4, 133.5, 133.6
CPC F16L 11/00; F16L 37/252; F16L 41/007;
E03C 1/26; E03C 1/262; E03C 1/28; E03F
5/04; A61B 5/00; A61M 25/09016

See application file for complete search history.

(56) **References Cited**

U.S. PATENT DOCUMENTS

2,195,728	A *	4/1940	Jones	G05D 16/0602
					137/454.5
2,618,908	A *	11/1952	Salter	G05D 16/10
					137/315.04
2,747,607	A *	5/1956	Matasovic	G05D 16/0663
					137/505.11
2,770,252	A *	11/1956	Bass, Sr.	G05D 16/0602
					137/505.12
2,946,223	A *	7/1960	Lauer, Jr.	F17C 13/06
					137/382
D288,469	S *	2/1987	Pryor	D10/84
D458,986	S *	6/2002	Doki	D23/235
D512,672	S *	12/2005	Yamazaki	D12/192
D529,847	S *	10/2006	Montijo	D12/192
D674,469	S *	1/2013	Boyer	D23/235
D698,010	S *	1/2014	Boyer	D23/235

* cited by examiner

Primary Examiner — Sandra Snapp

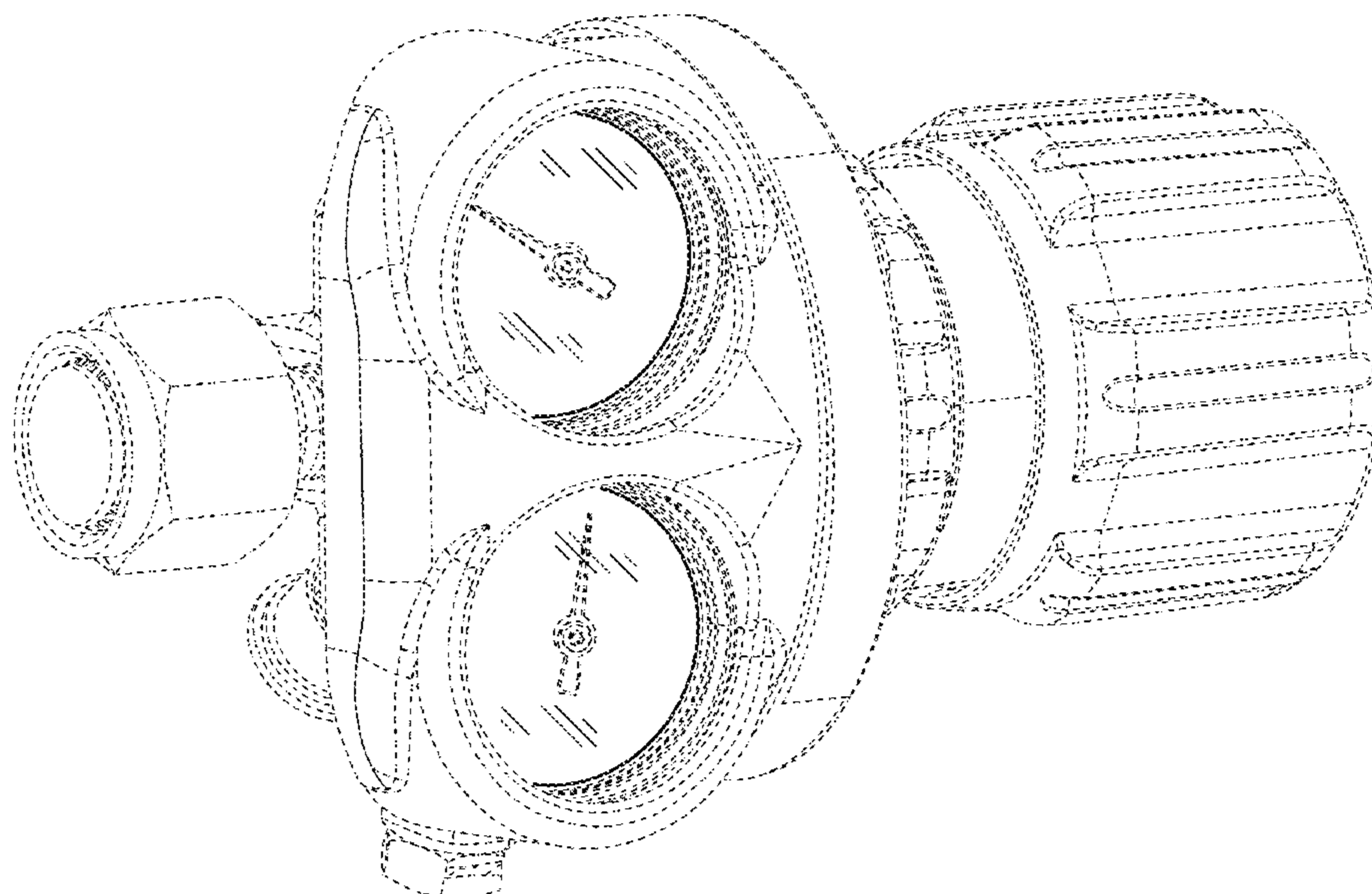
(57) **CLAIM**

The ornamental design for a gas pressure regulator having
stacked indicators, as shown and described.

DESCRIPTION

FIG. 1 is a front view of the gas pressure regulator having
stacked indicators;
FIG. 2 is a perspective view thereof;
FIG. 3 is another perspective view thereof;
FIG. 4 is another perspective view thereof;
FIG. 5 is a rear view thereof; and,
FIG. 6 is a bottom view thereof.
The broken lines are included for the purpose of illustrating
environmental structure and to show the claimed stacked
configuration of the indicators relative to the regulator body
and forms no part of the claimed design.

1 Claim, 6 Drawing Sheets



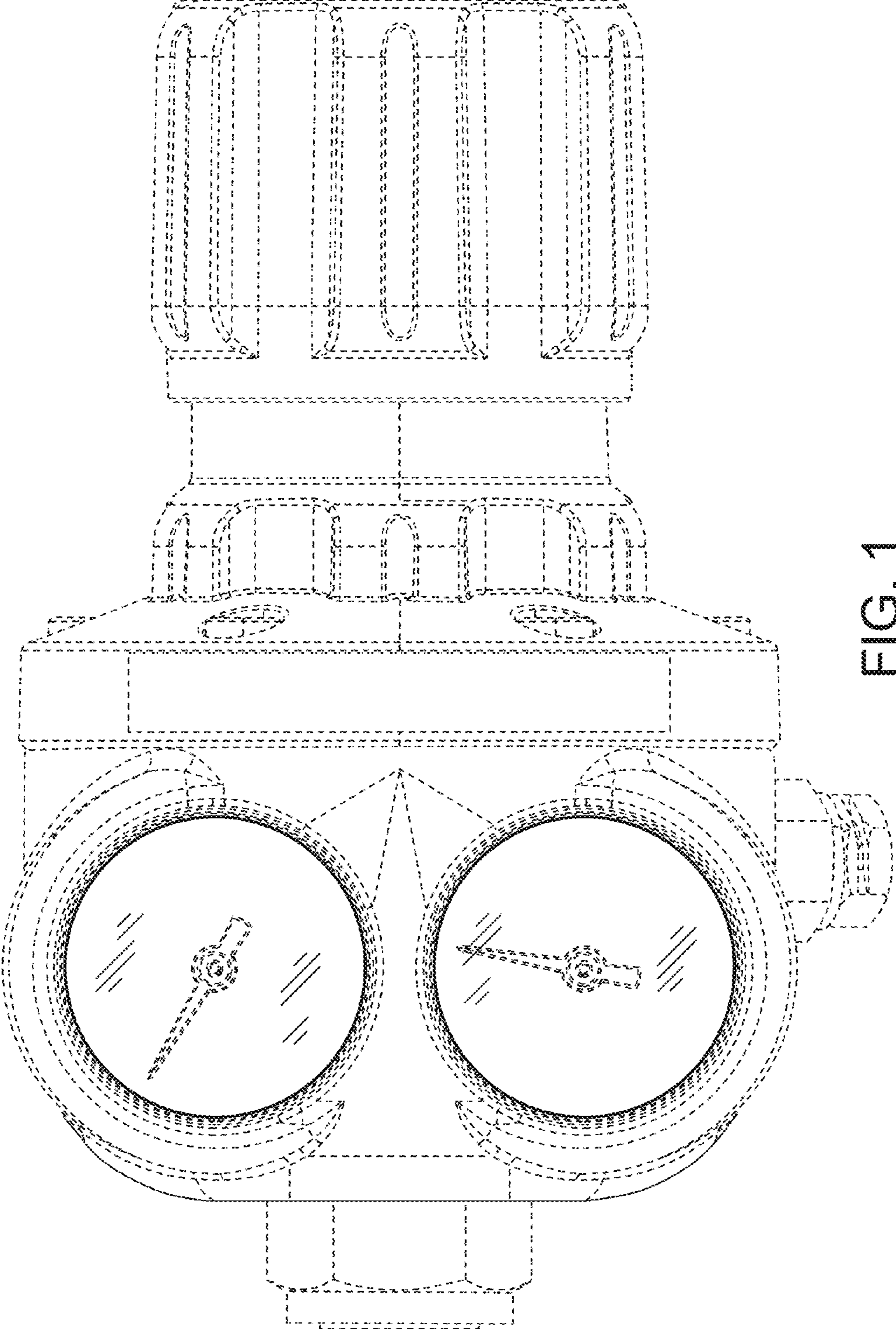


FIG. 1

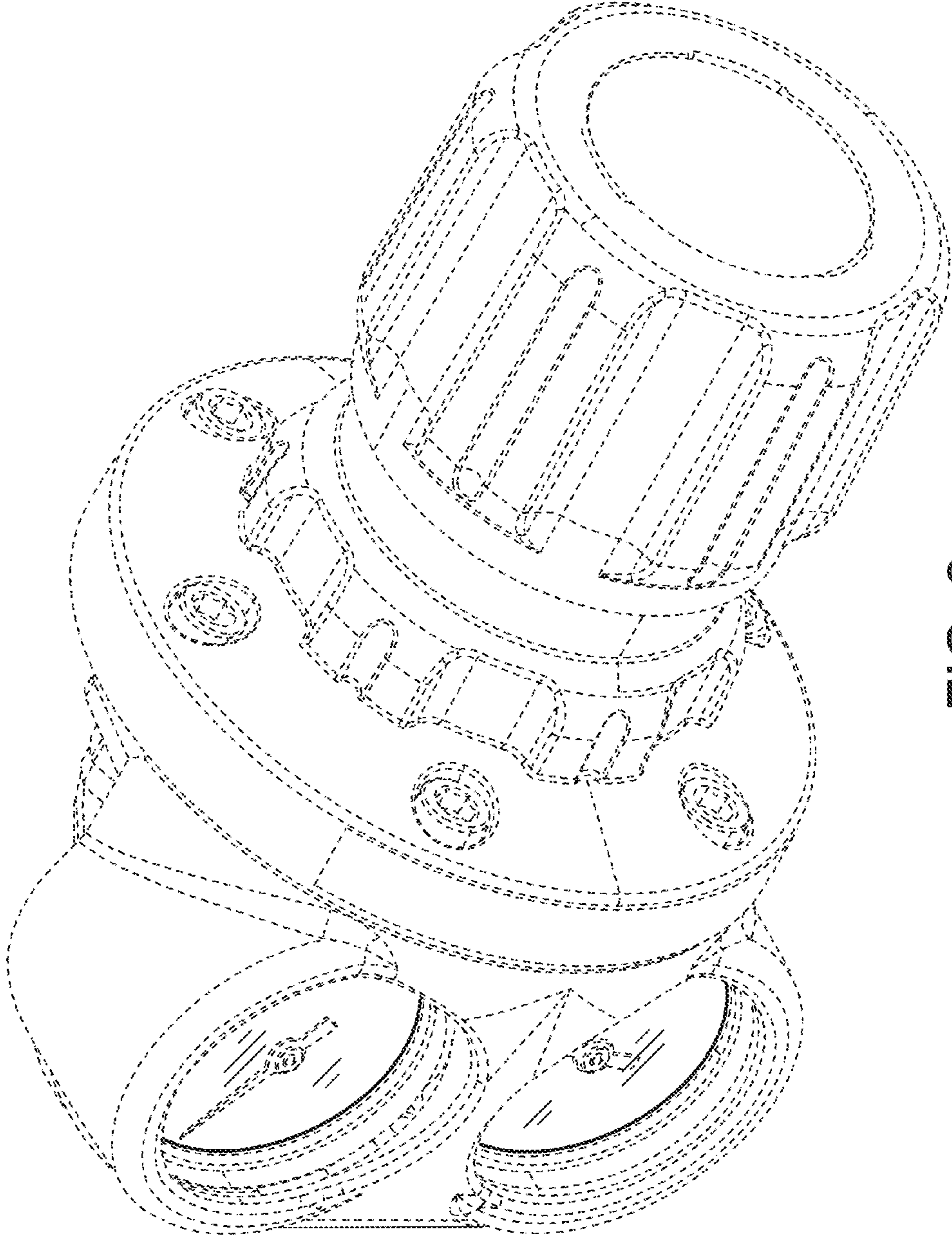


FIG. 2

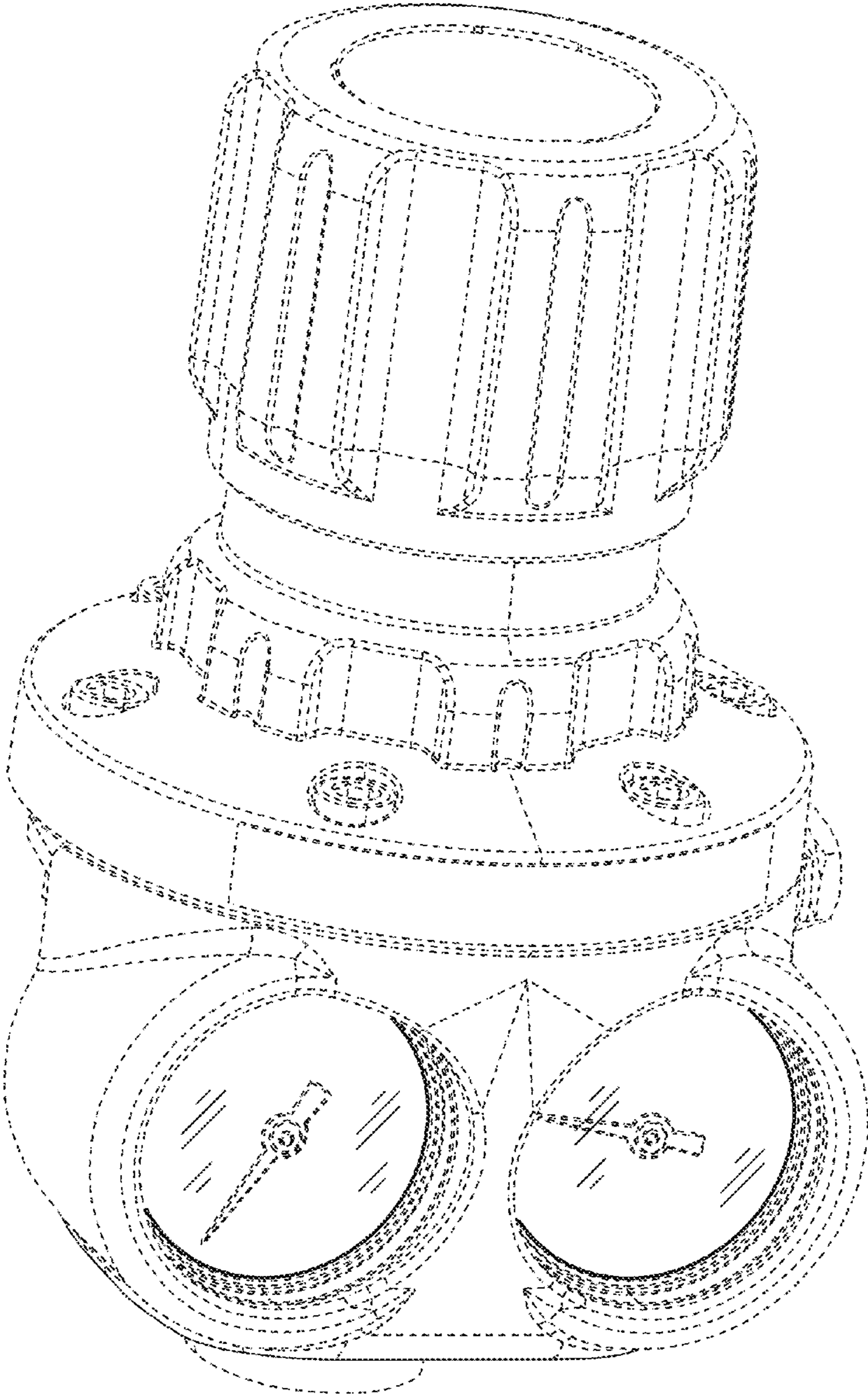


FIG. 3

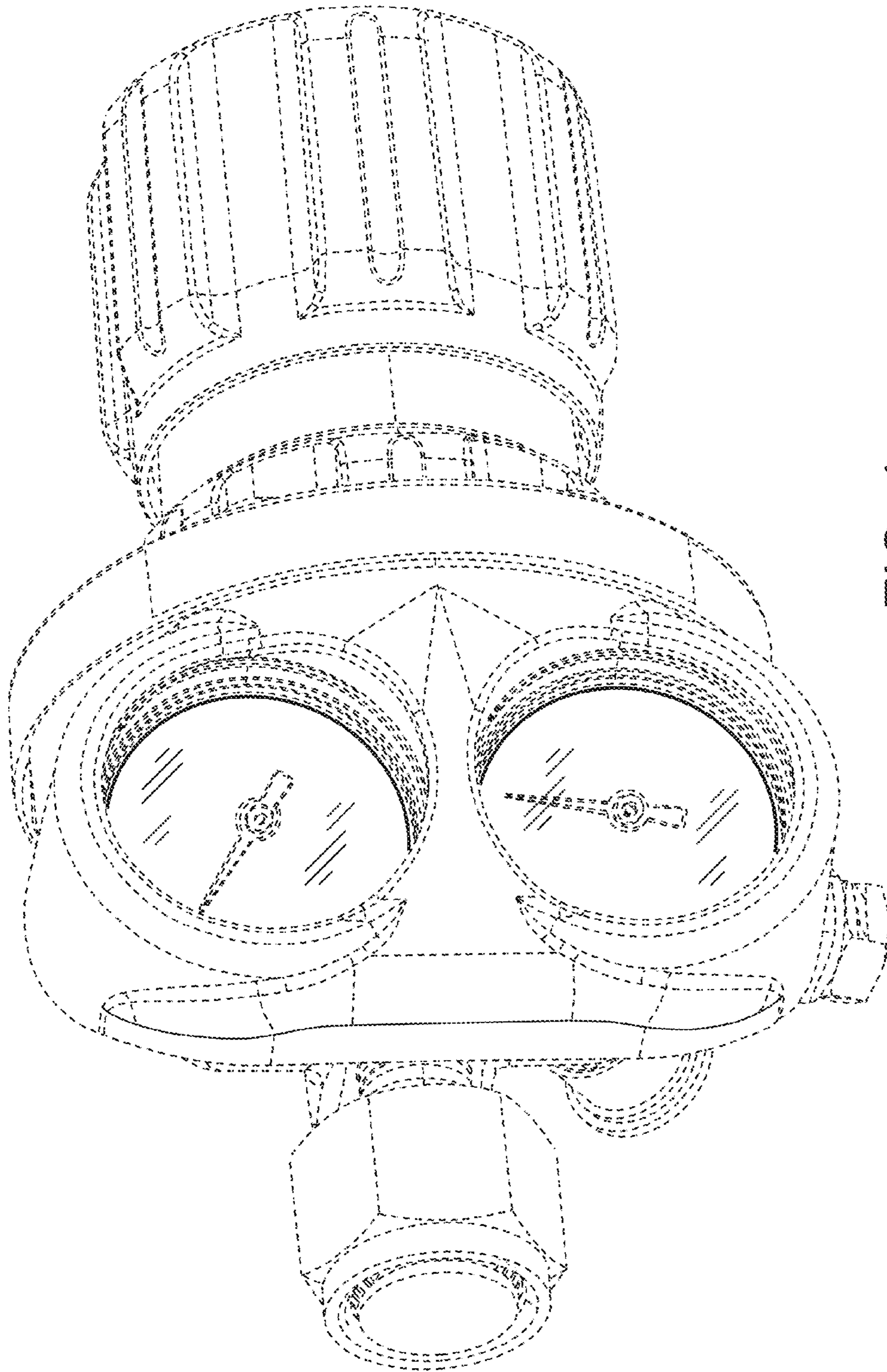


FIG. 4

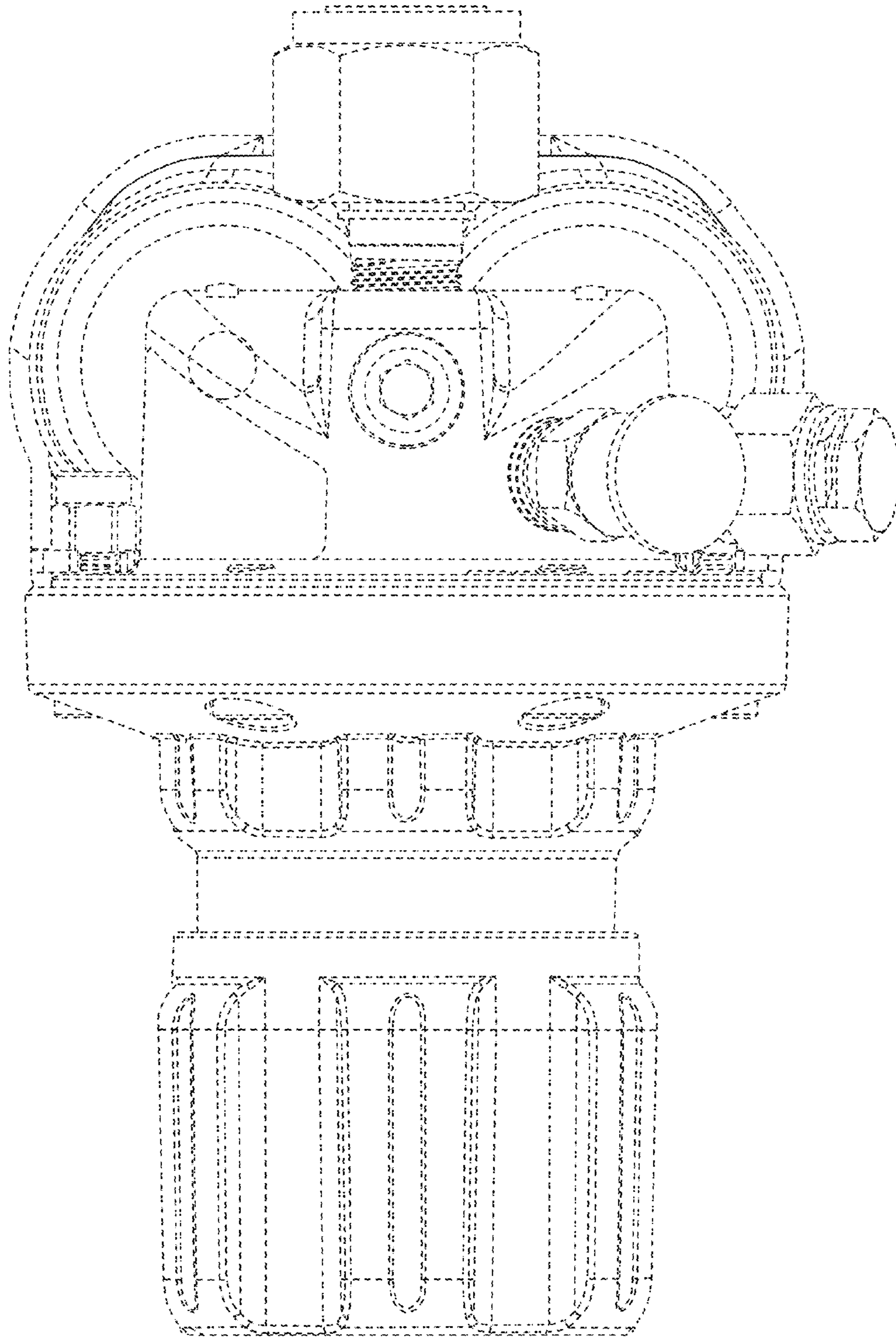


FIG. 5

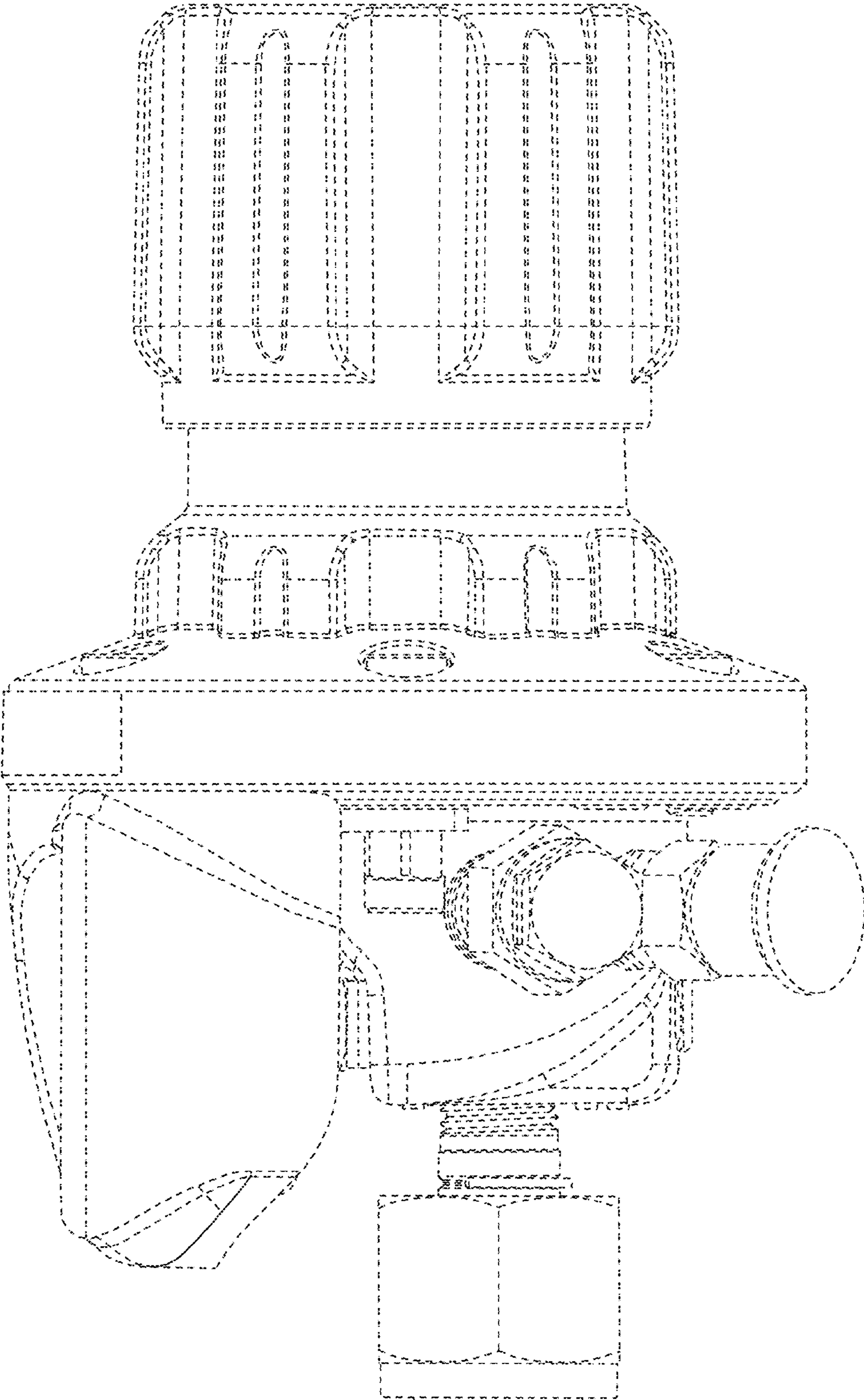


FIG. 6