



US00D760870S

(12) **United States Design Patent**  
**Popek et al.**

(10) **Patent No.:** **US D760,870 S**  
(45) **Date of Patent:** **\*\* Jul. 5, 2016**

(54) **SPRAYER**

(71) Applicant: **Telebrands Corp.**, Fairfield, NJ (US)

(72) Inventors: **Bruce P. Popek**, South Windsor, CT (US); **Victor Kruk**, Clarkston, MI (US); **Richard F. Andrus**, Monterey, MA (US)

(73) Assignee: **Telebrands, Corp.**, Fairfield, NJ (US)

(\*\*) Term: **14 Years**

(21) Appl. No.: **29/516,136**

(22) Filed: **Jan. 29, 2015**

(51) **LOC (10) Cl.** ..... **23-01**

(52) **U.S. Cl.**  
USPC ..... **D23/225**

(58) **Field of Classification Search**  
USPC ..... D23/213, 225, 202; 239/302, 332, 337, 239/373  
CPC ..... B65D 83/20  
See application file for complete search history.

(56) **References Cited**

U.S. PATENT DOCUMENTS

D235,063	S	*	5/1975	Gunzel et al.	.....	D23/225
D281,900	S	*	12/1985	Gunzel, Jr.	.....	D23/225
4,809,913	A		3/1989	Gunlock		
4,913,356	A		4/1990	Gunlock		
5,183,206	A		2/1993	Gavin		
5,372,310	A		12/1994	Ketcham		
D432,372	S	*	10/2000	Iaciofano	.....	D23/225
7,322,534	B2	*	1/2008	Bartsch	.....	B01J 47/002 239/302
7,703,703	B2		4/2010	Gavin		

D644,715	S		9/2011	Woodling		
D672,434	S		12/2012	Perez		
D675,713	S	*	2/2013	Christensen	.....	D23/225
D708,301	S	*	7/2014	Jackson	.....	D23/225
D709,988	S	*	7/2014	Ford	.....	D23/213

OTHER PUBLICATIONS

Hydro Mousse, available at [www.revealingreviews.com](http://www.revealingreviews.com), accessed on Nov. 13, 2014.

Miracle Grow Garden Feeder, available at [www.wjamaligarden.com](http://www.wjamaligarden.com); accessed on Nov. 18, 2014.

Miracle Grow Garden Feeder, available at [www.lowes.com](http://www.lowes.com), accessed on Nov. 18, 2014.

\* cited by examiner

*Primary Examiner* — Robin V Webster

(74) *Attorney, Agent, or Firm* — Cooper & Dunham, LLP

(57) **CLAIM**

The ornamental design for a sprayer, as shown and described.

**DESCRIPTION**

FIG. 1 is a perspective view of a sprayer in accordance with the present design;

FIG. 2 is a front view thereof;

FIG. 3 is a back view thereof;

FIG. 4 is a left side view thereof;

FIG. 5 is a right side view thereof;

FIG. 6 is a top view thereof; and,

FIG. 7 is a bottom view thereof.

The broken lines are for illustrative purposes only and represent no part of the claimed design. The shading represents contour of the claimed design.

**1 Claim, 7 Drawing Sheets**

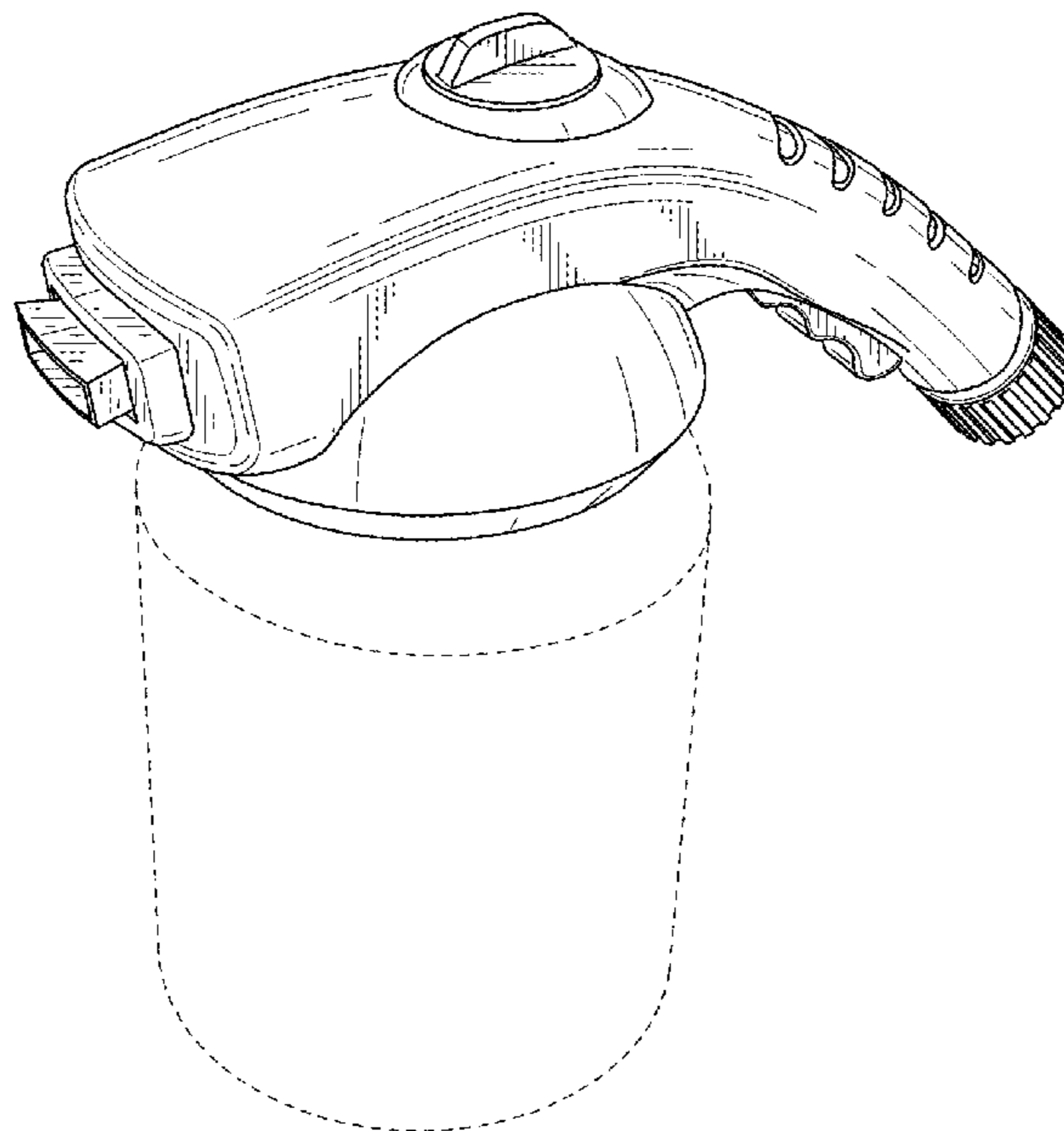


FIG. 1

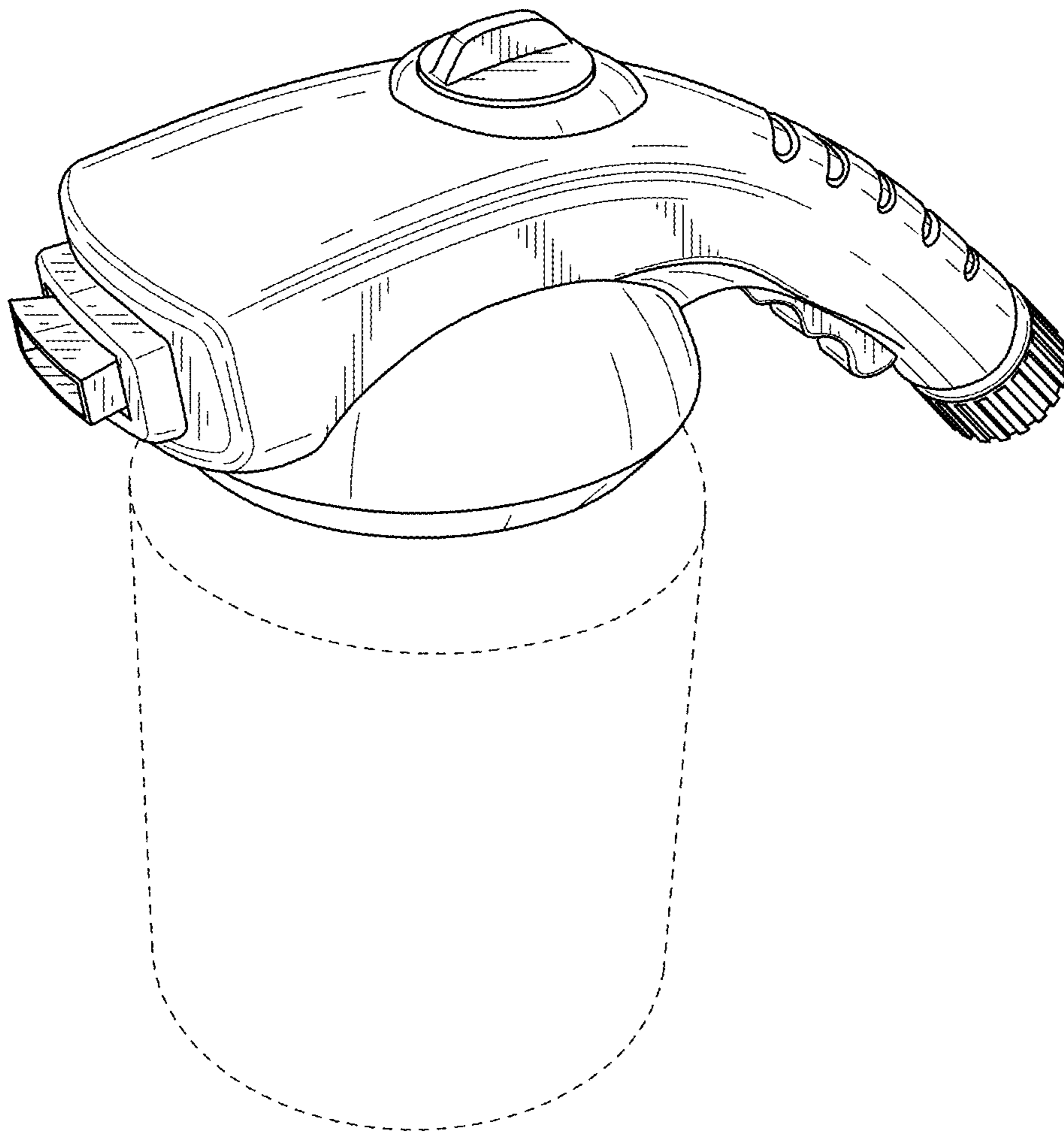


FIG. 2

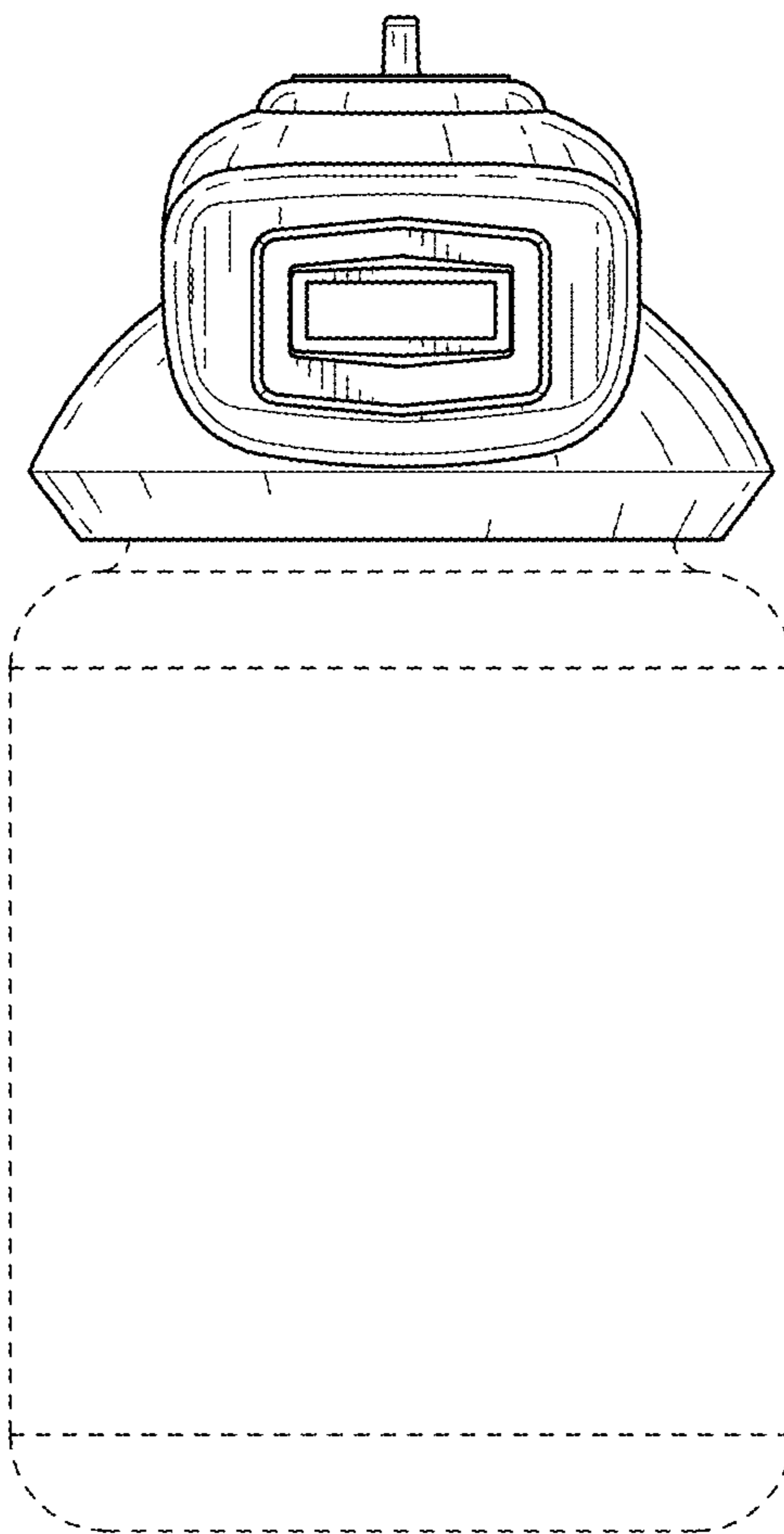


FIG. 3

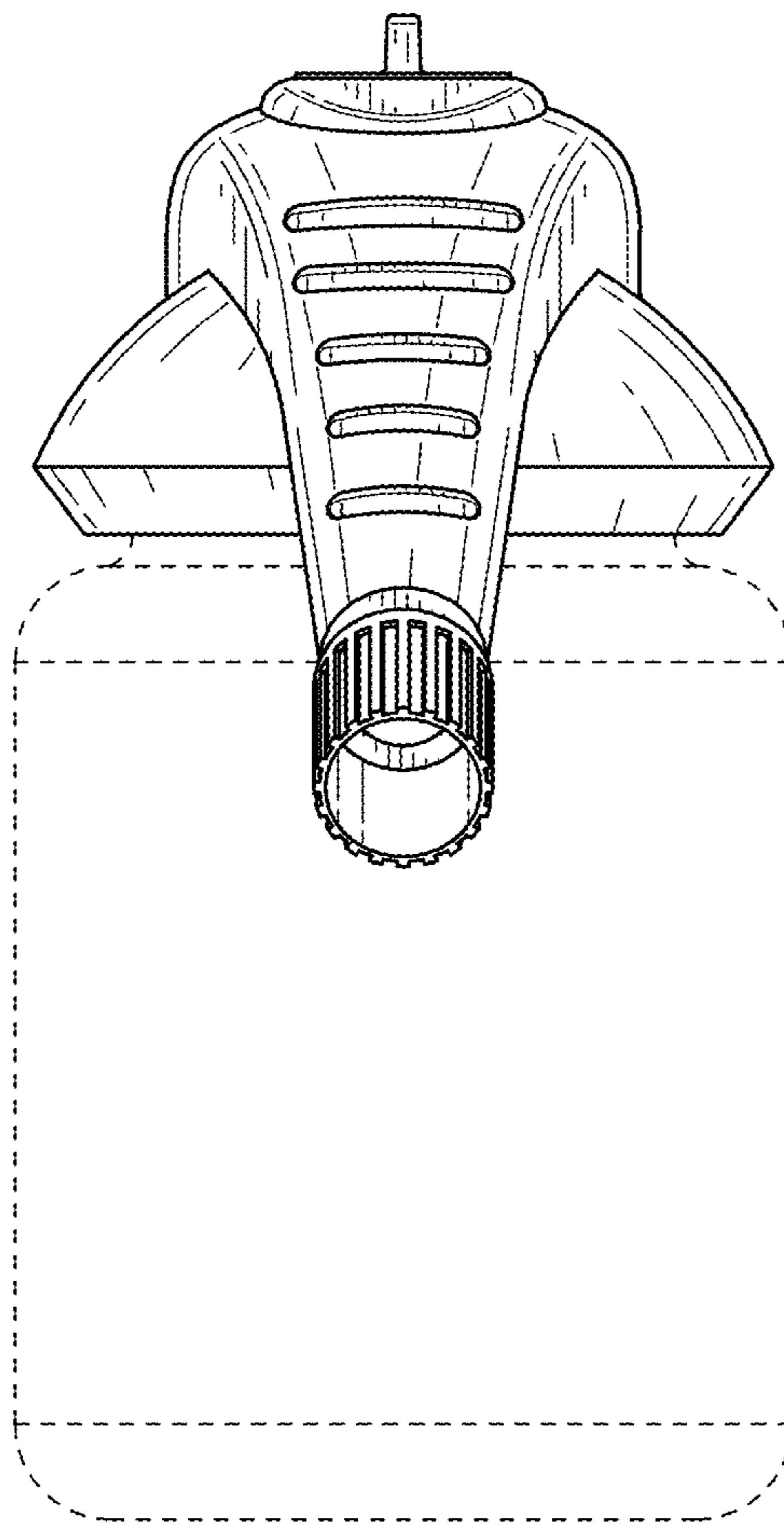


FIG. 4

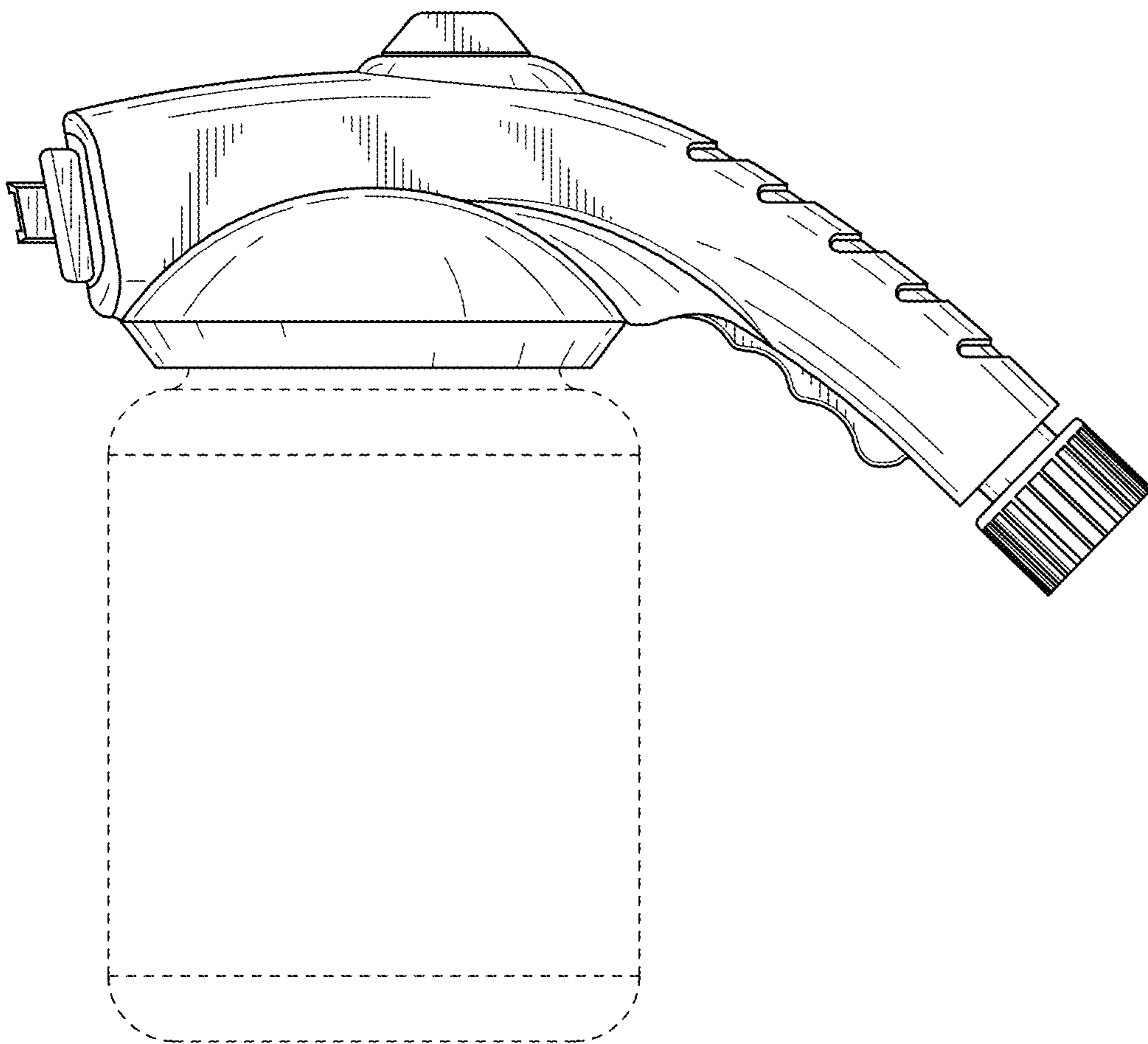


FIG. 5

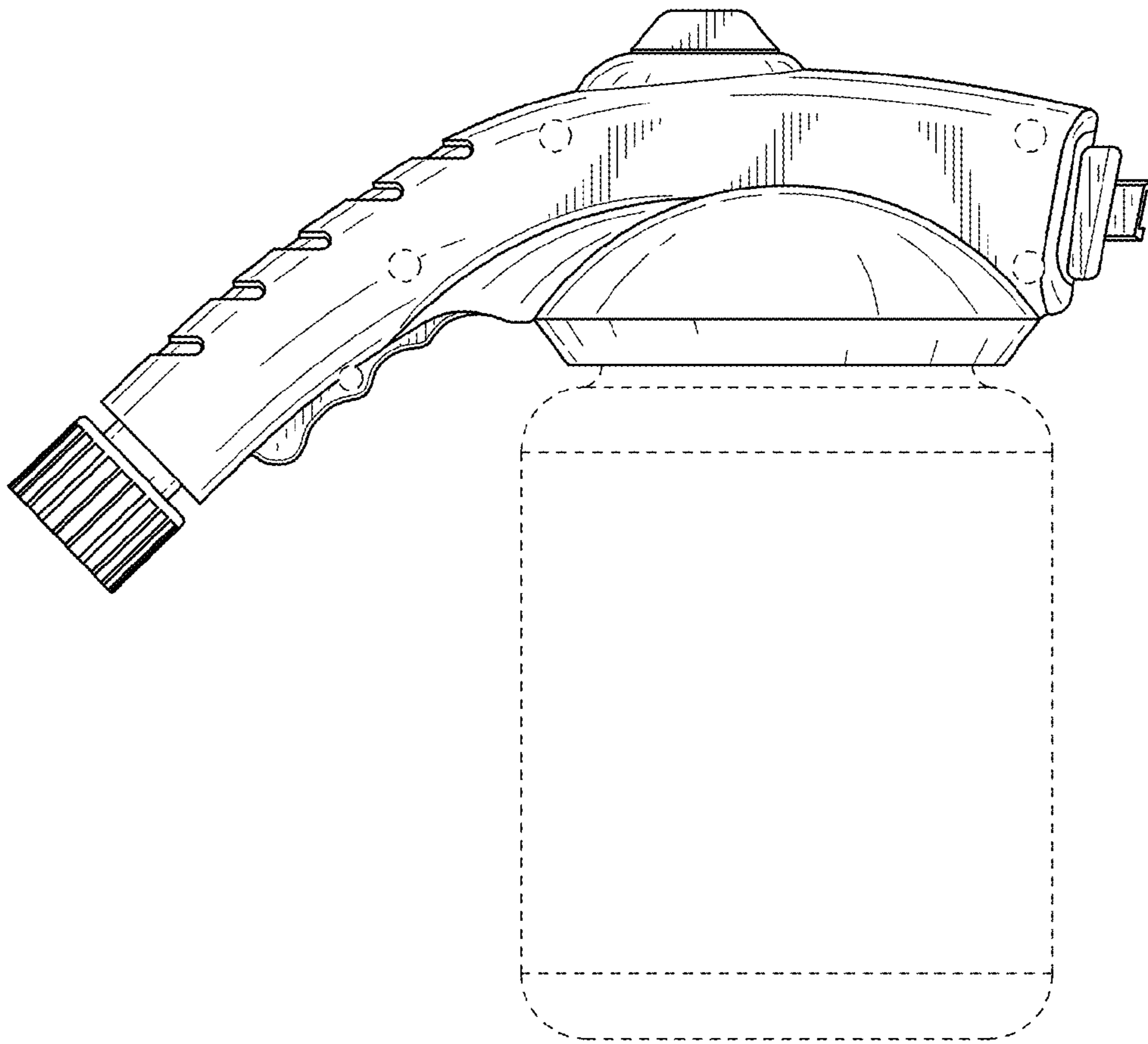




FIG. 6

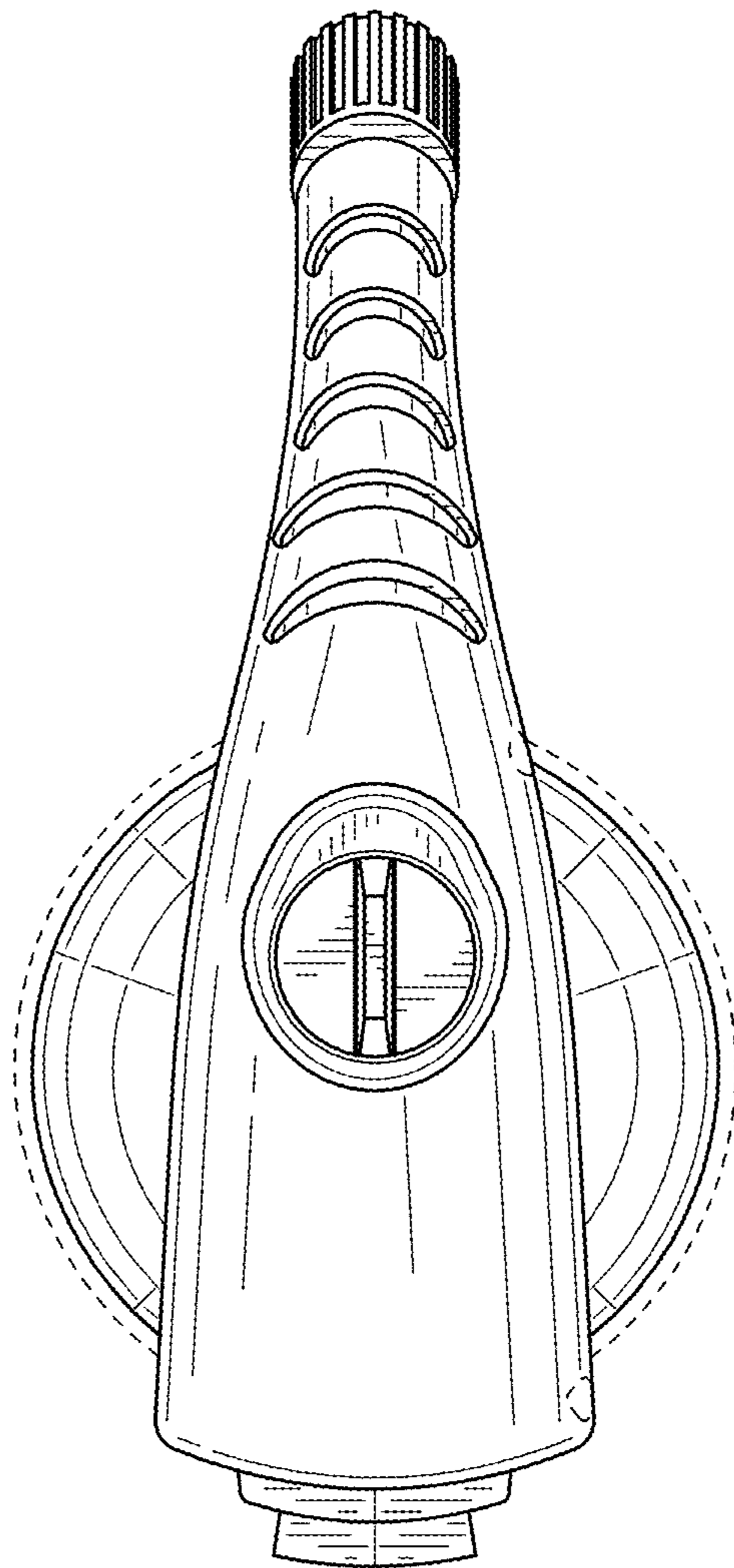


FIG. 7

