



US00D760869S

(12) **United States Design Patent**
Sanders

(10) **Patent No.:** **US D760,869 S**
(45) **Date of Patent:** **** Jul. 5, 2016**

(54) **GASOLINE CAN WITH OFF-SET SPOUT**

(71) Applicant: **Joseph A. Sanders**, Vernon (CA)

(72) Inventor: **Joseph A. Sanders**, Vernon (CA)

(73) Assignee: **Joseph A. Sanders**, Vernon, British Columbia (CA)

(**) Term: **14 Years**

(21) Appl. No.: **29/507,540**

(22) Filed: **Oct. 28, 2014**

(51) **LOC (10) Cl.** **23-01**

(52) **U.S. Cl.**
USPC **D23/211.1**

(58) **Field of Classification Search**

USPC D9/500, 516, 530, 763-783, 527, 528,
D9/531, 533-535, 547; 215/381-385;
220/660, 669, 675; D23/211.1, 211.2,
D23/212; D12/218

CPC B21D 51/26; B21D 51/383; B29C 66/71;
B65D 1/40; B65D 1/0223; B65D 1/0246;
B65D 17/163; B65D 17/165; B65D 25/00;
B65D 2215/02; B65D 2517/0094; B65D
2519/00502; B65D 2543/00296; Y10T
29/49826

See application file for complete search history.

(56) **References Cited**

U.S. PATENT DOCUMENTS

D205,166 S *	6/1966	Price	D9/527
D214,995 S *	8/1969	Shutt	D23/211.1
D270,237 S *	8/1983	Hestehave	D9/524
D284,641 S *	7/1986	Jones	D9/524
D338,158 S *	8/1993	Poirier	D23/211.1
D358,330 S *	5/1995	Kahl	D23/211.1
D569,476 S *	5/2008	Munlin	D23/211.1
D648,632 S *	11/2011	Ferguson	D9/524

* cited by examiner

Primary Examiner — Keli L Hill

(74) *Attorney, Agent, or Firm* — Gowling WLG (Canada) LLP

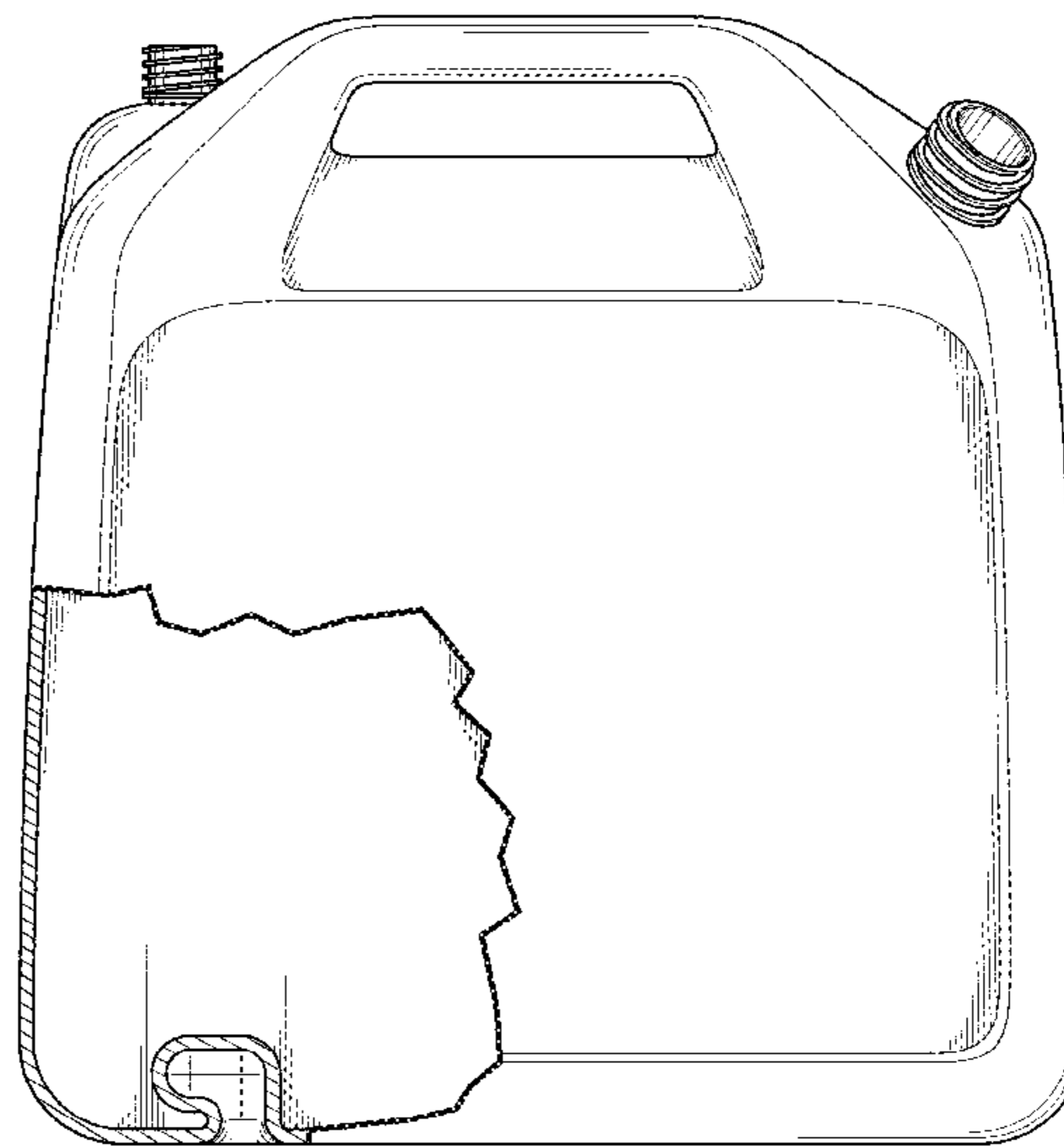
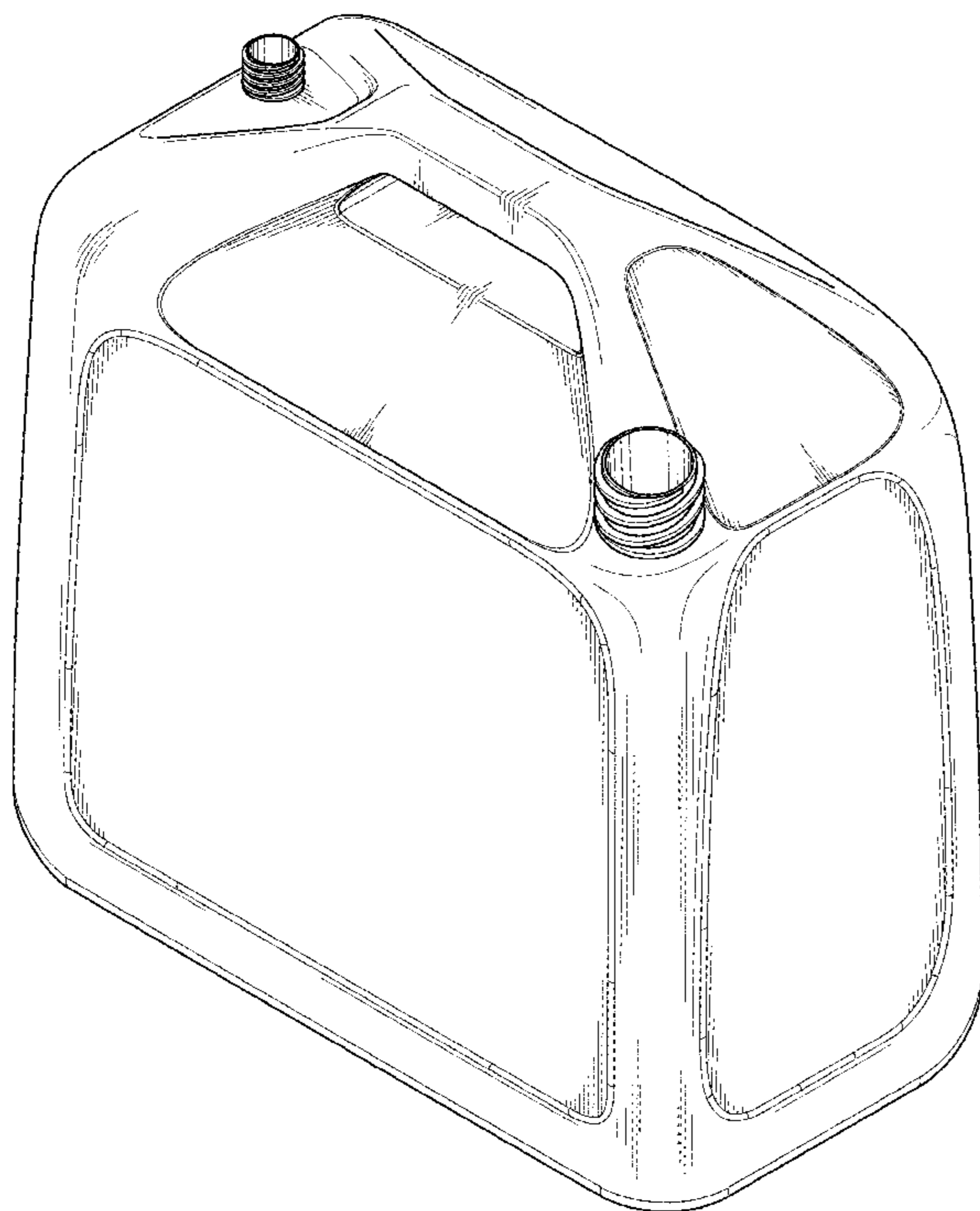
(57) **CLAIM**

The ornamental design for a gasoline can with off-set spout, as shown and described.

DESCRIPTION

FIG. 1 is a front perspective view of a gasoline can with off-set spout, showing my new design; FIG. 2 is a top plan view thereof; FIG. 3 is a bottom plan view thereof; FIG. 4 is a front elevation view thereof; FIG. 5 is a rear elevation view thereof; FIG. 6 is a side elevation view thereof; FIG. 7 is an opposite side view thereof; and, FIG. 8 is a duplicate view of FIG. 6, shown with a portion of the sidewall broken away to show a detail incorporated into the bottom of the claimed design.

1 Claim, 7 Drawing Sheets



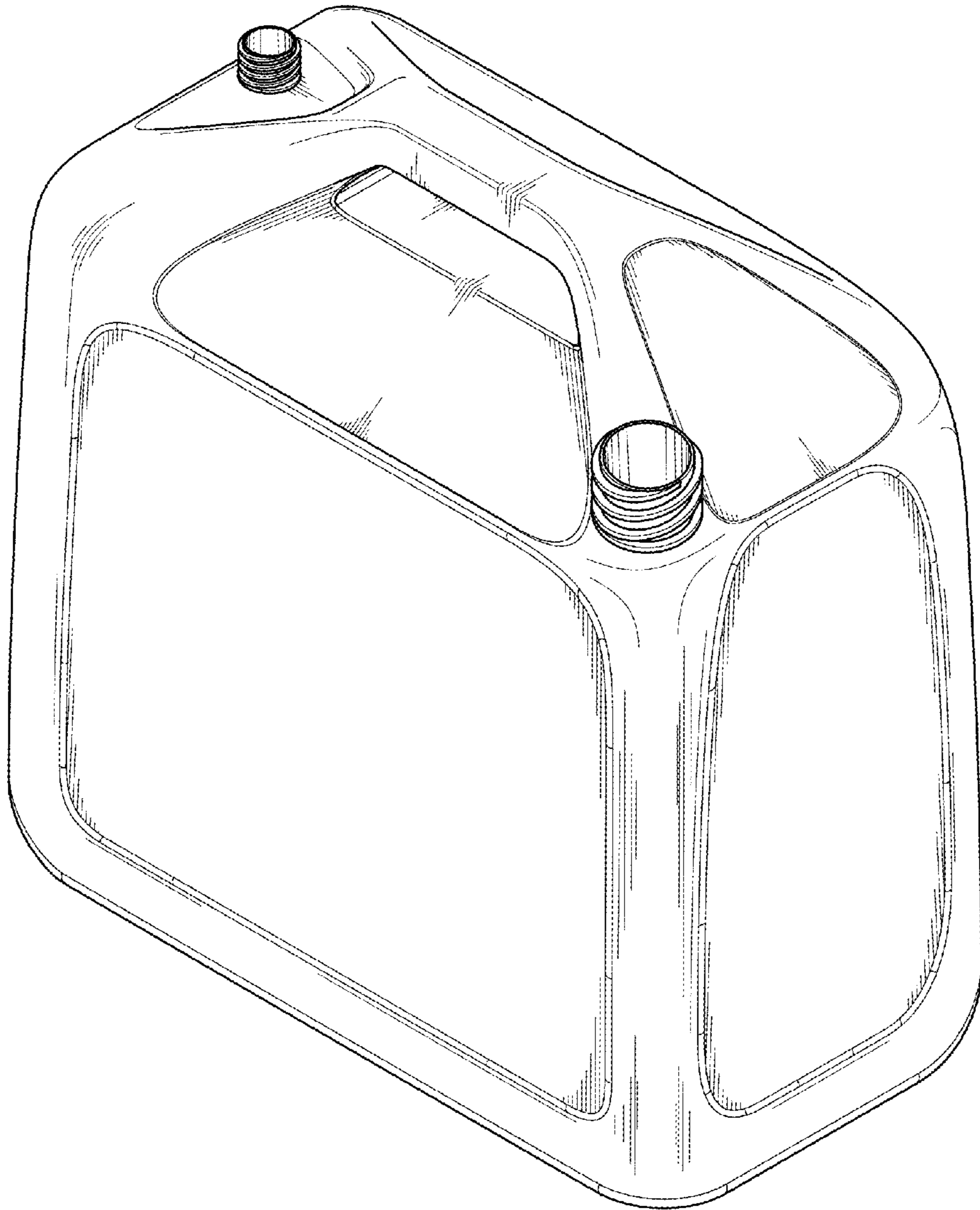


FIG. 1

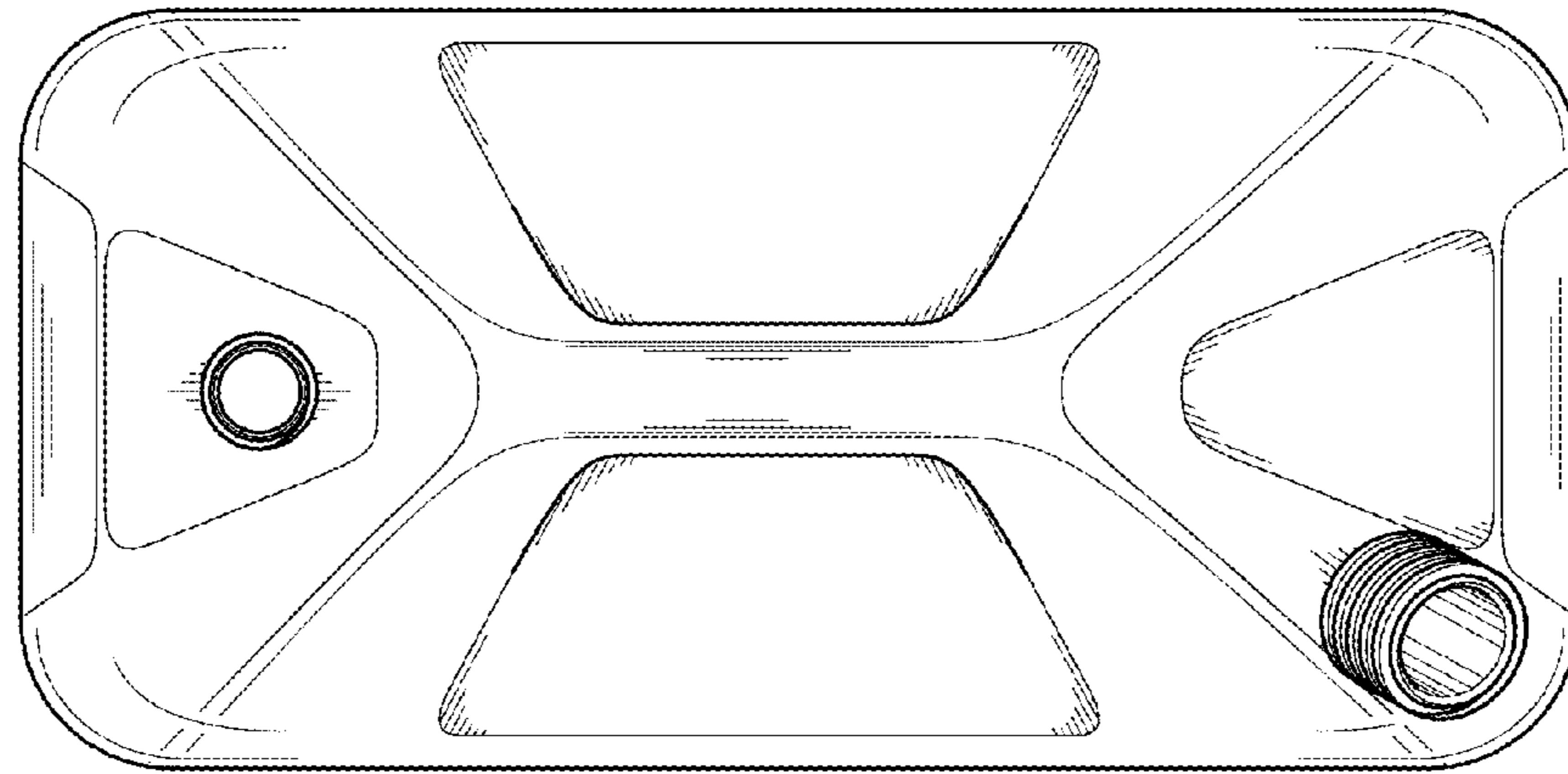


FIG. 2

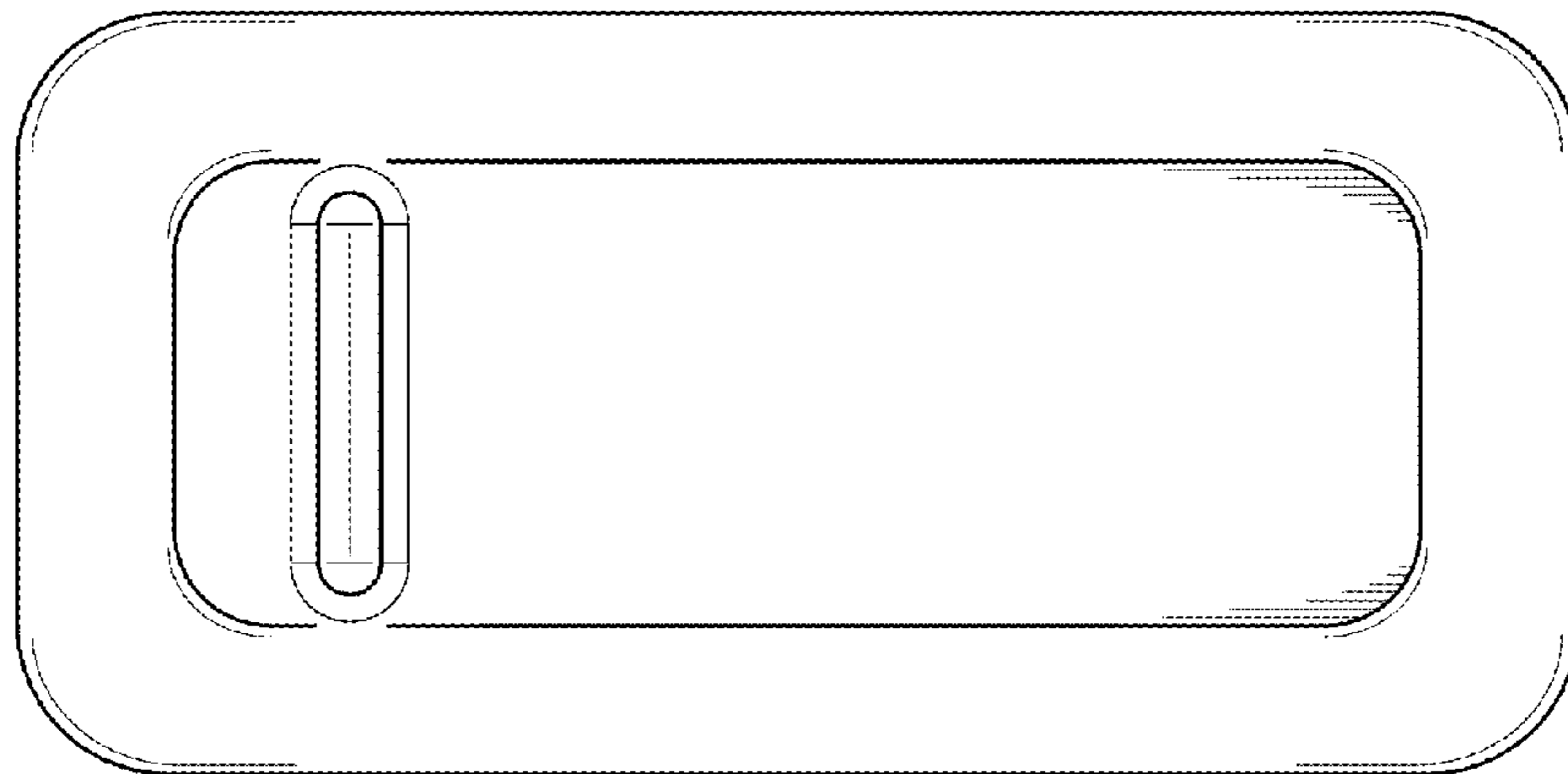


FIG. 3

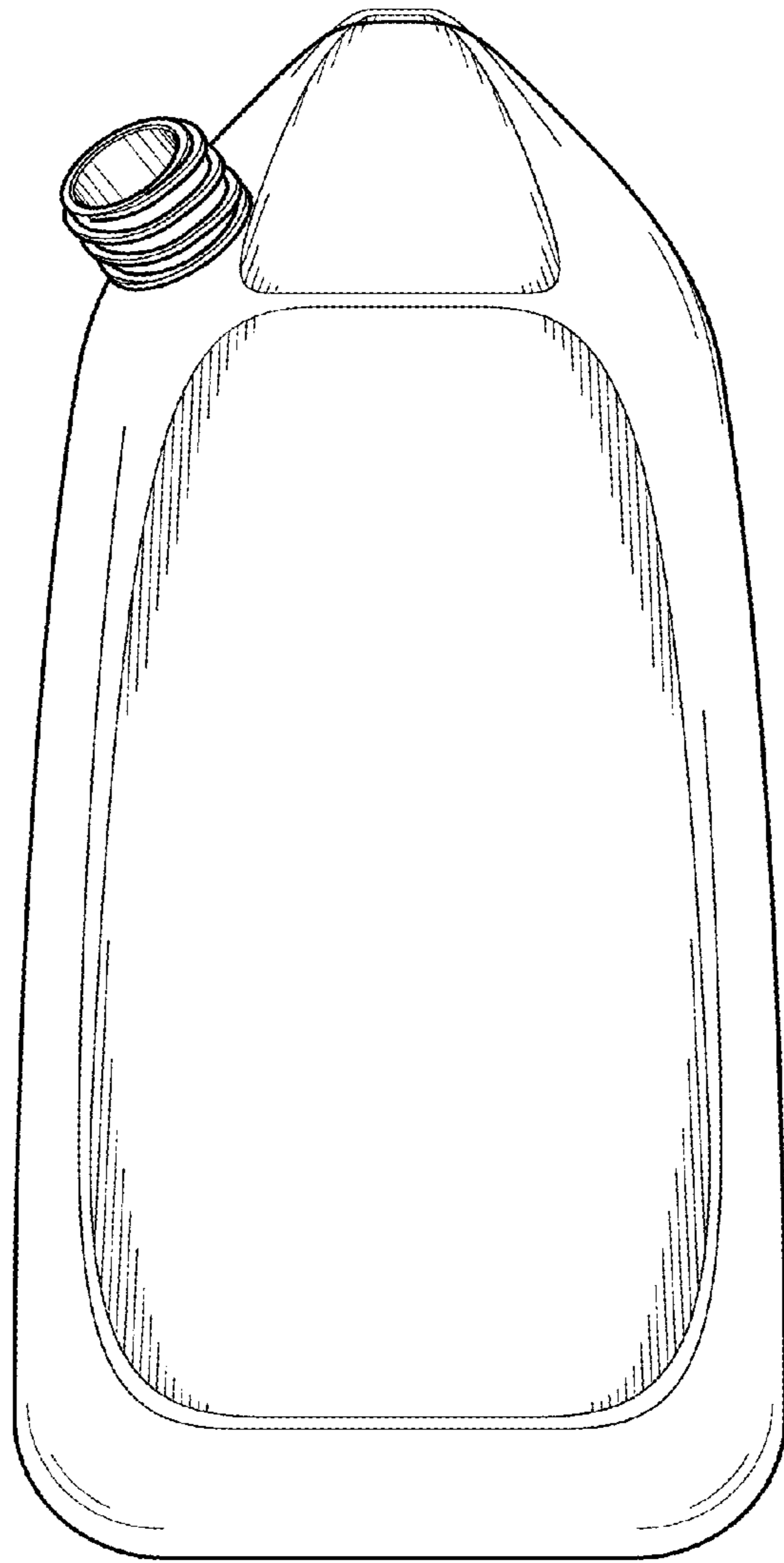


FIG. 4

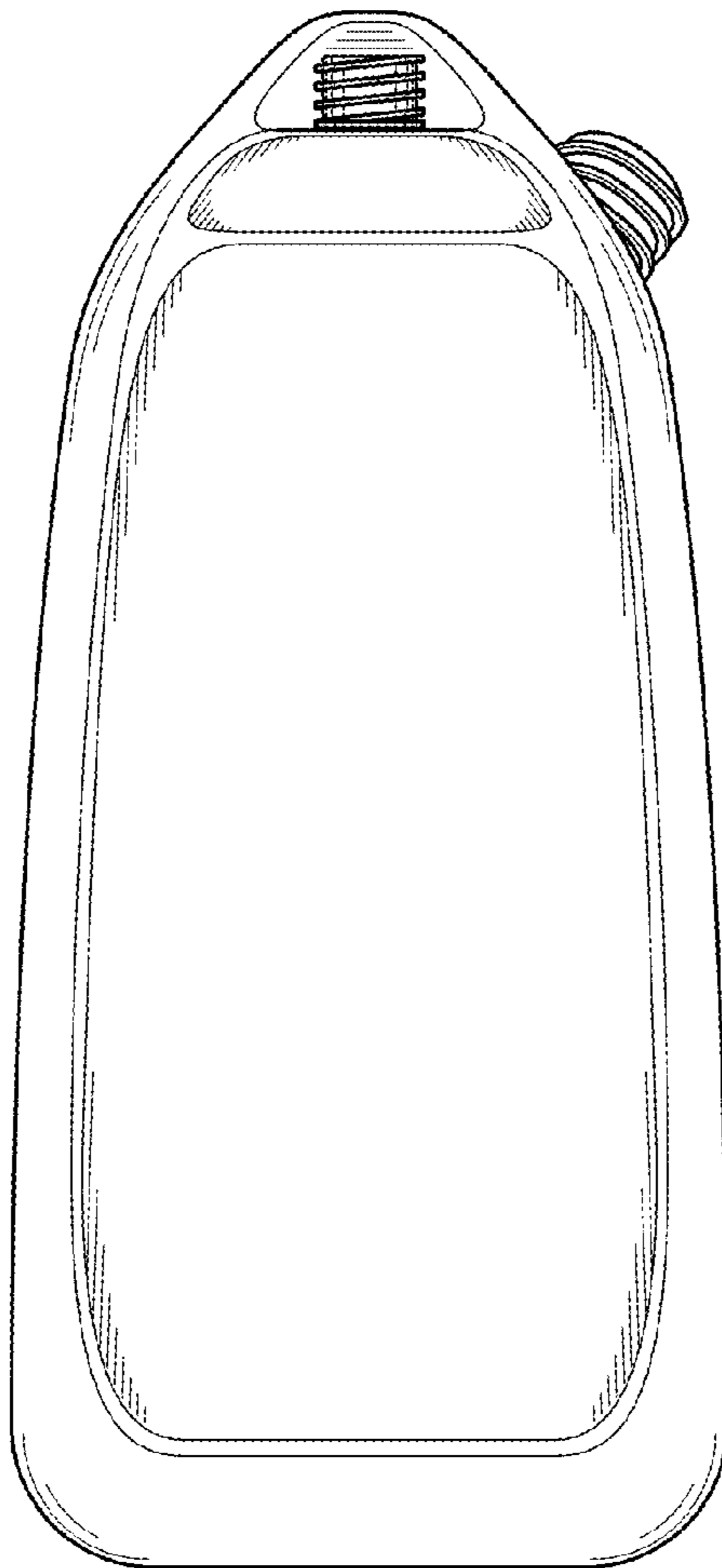


FIG. 5

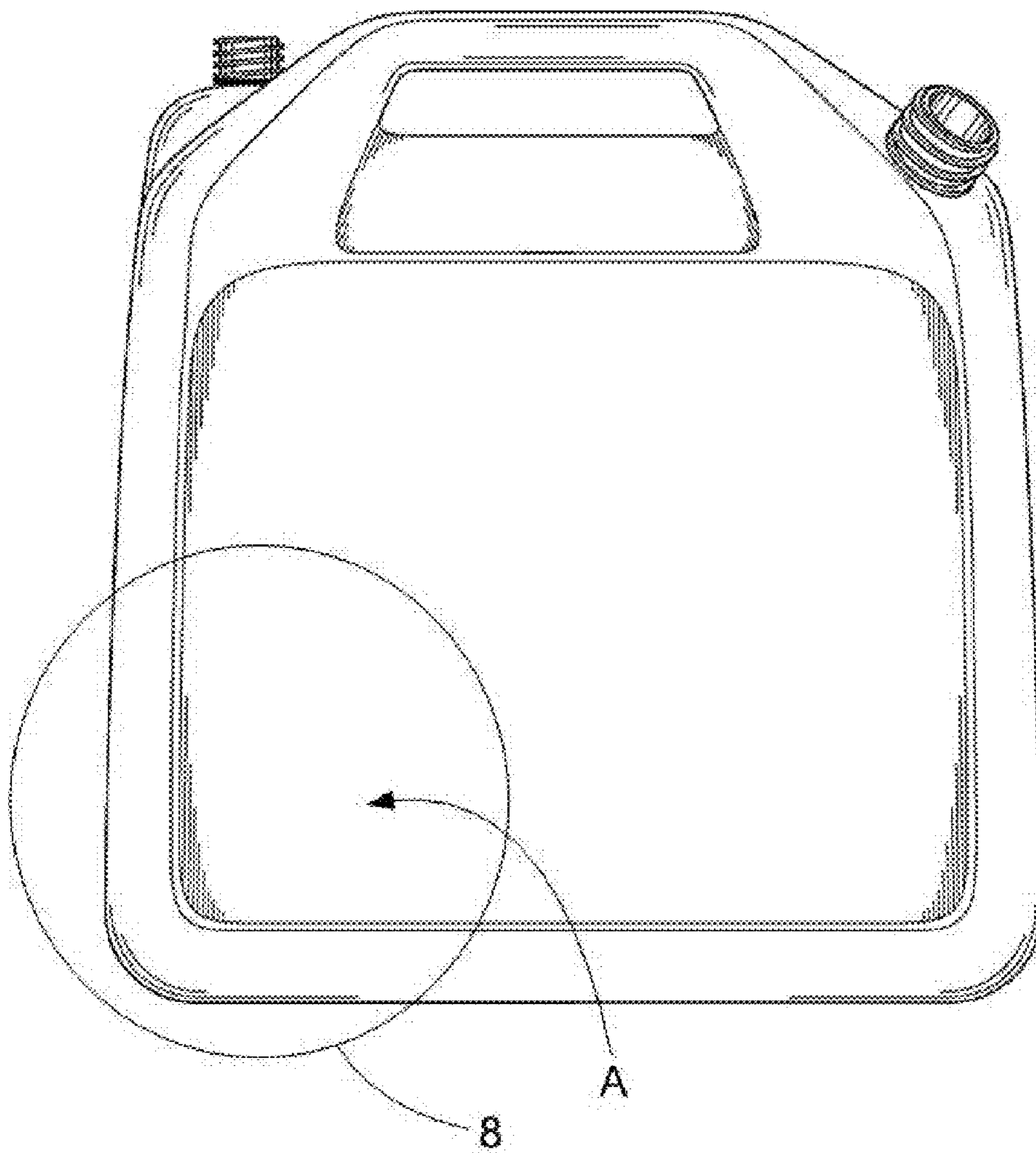


FIG. 6

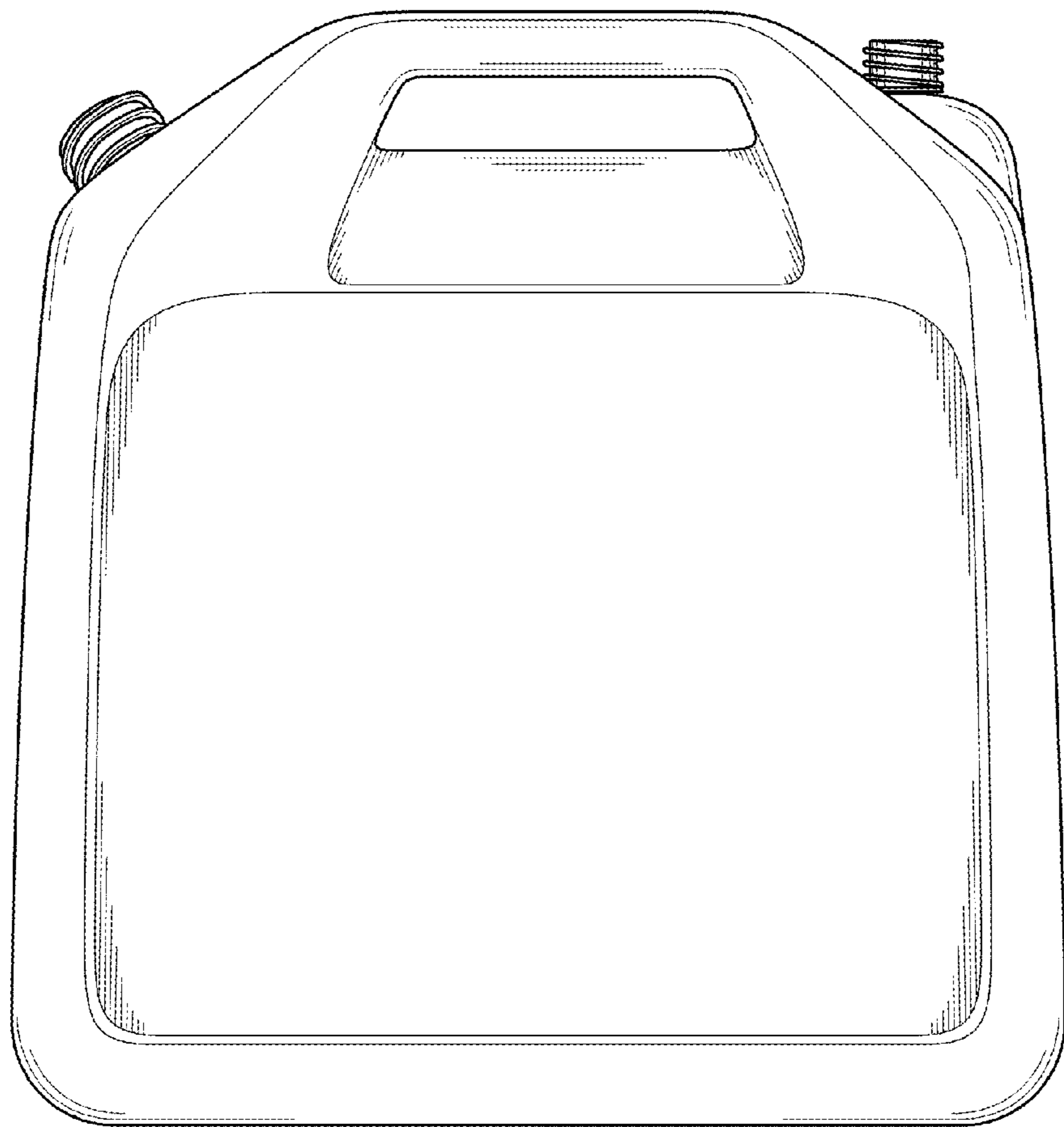


FIG. 7

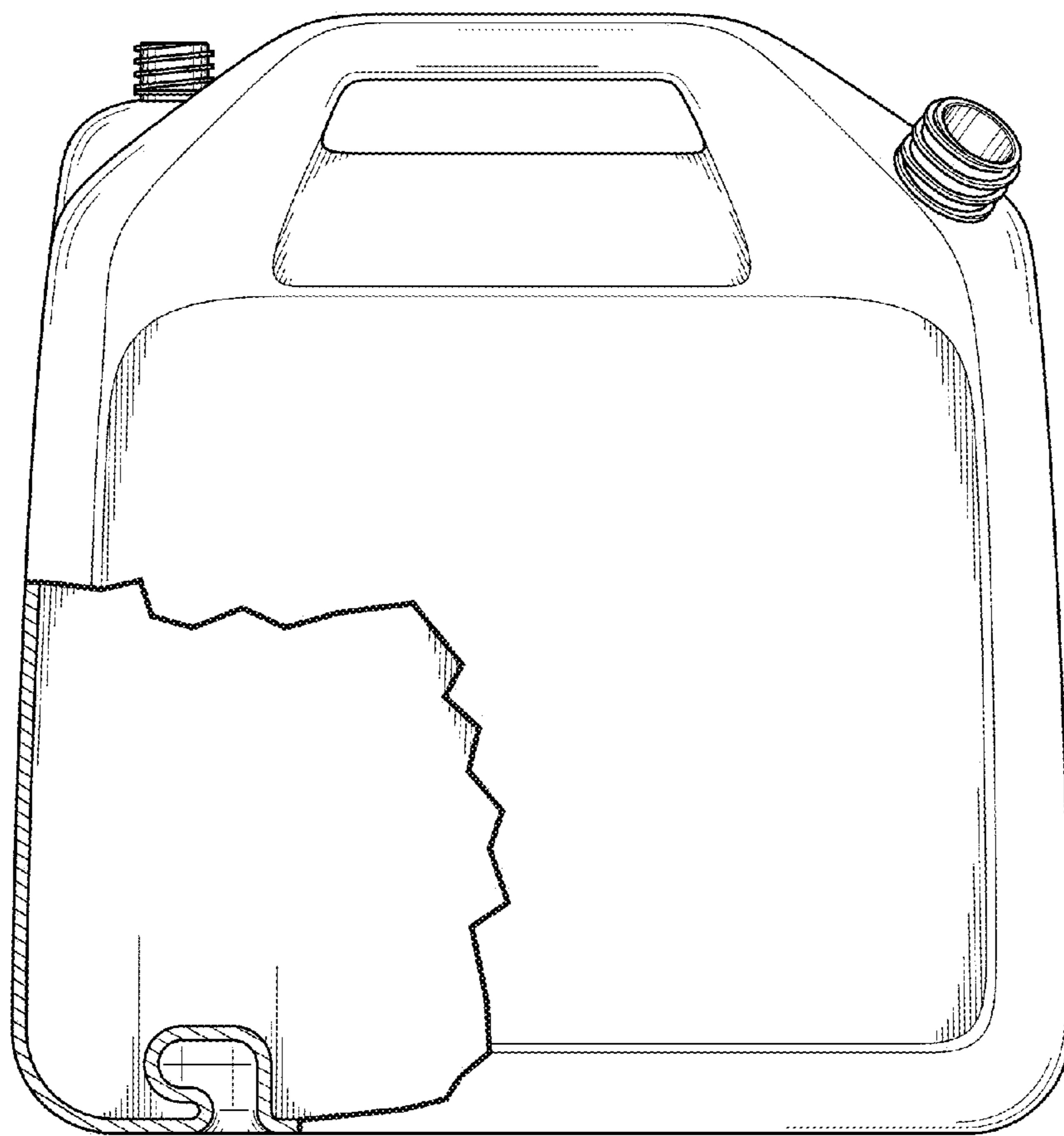


FIG. 8