



US00D760867S

(12) **United States Design Patent**  
**Nitta**

(10) **Patent No.:** **US D760,867 S**  
(45) **Date of Patent:** **\*\* Jul. 5, 2016**

(54) **BAIT RIGGING SYSTEM**

(71) Applicant: **Gye Shoon-Min Ulu Nitta**, Honolulu,  
HI (US)

(72) Inventor: **Gye Shoon-Min Ulu Nitta**, Honolulu,  
HI (US)

(\*\*) Term: **14 Years**

(21) Appl. No.: **29/519,303**

(22) Filed: **Mar. 4, 2015**

(51) **LOC (10) Cl.** ..... **22-05**

(52) **U.S. Cl.**  
USPC ..... **D22/134**

(58) **Field of Classification Search**  
USPC ..... D22/126-134; 43/17.2, 17.5, 6.5, 42,  
43/42.06, 42.08  
CPC ..... A01K 75/00; A01K 75/02; A01K 85/00;  
A01K 85/16

See application file for complete search history.

(56) **References Cited**

U.S. PATENT DOCUMENTS

1,812,632 A \* 6/1931 Harrington ..... A01K 75/02  
43/17.5  
D151,481 S \* 10/1948 Williammowicz ..... 43/42.06  
3,521,394 A \* 7/1970 Wintersberger ..... A01K 85/16  
43/42.06  
8,904,700 B1 \* 12/2014 Kacines ..... A01K 85/00  
43/17.2

\* cited by examiner

*Primary Examiner* — Catheri Oliver-Garcia

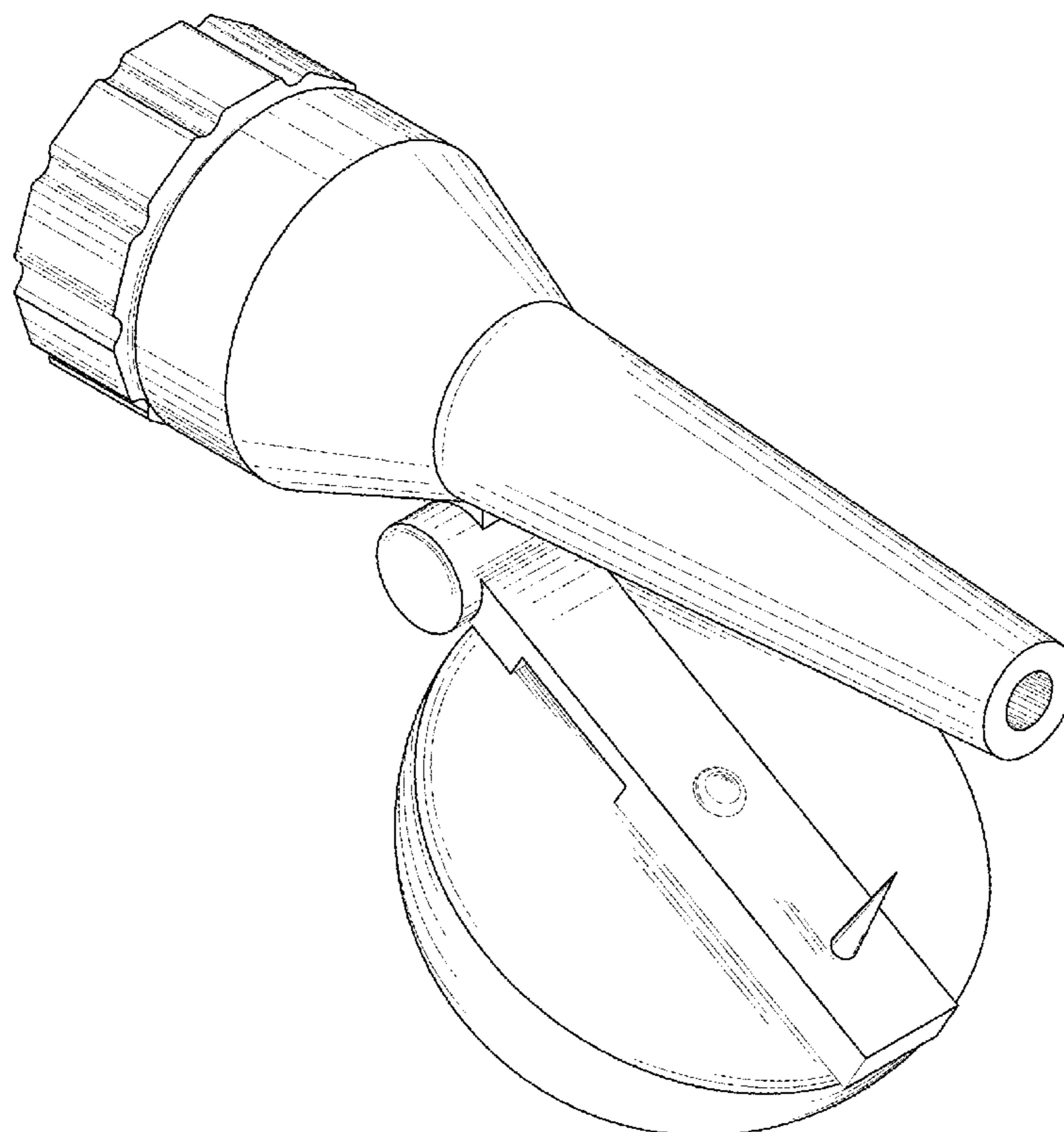
(57) **CLAIM**

The ornamental design for a bait rigging system, as shown and described.

**DESCRIPTION**

FIG. 1 is a front and right perspective view of the bait rigging system showing my new design;  
FIG. 2 is a front elevation view thereof;  
FIG. 3 is a rear elevation view thereof;  
FIG. 4 is a left elevation view thereof;  
FIG. 5 is a right elevation view thereof;  
FIG. 6 is a top plan view thereof;  
FIG. 7 is a bottom plan view thereof; and,  
FIG. 8 is a front view of the bait rigging system secured inside the mouth of a dead fish via a zip tie.  
The broken line showing a fish and a zip tie in FIG. 8 is included for the purpose of illustrating environmental structure and forms no part of the claimed design.

**1 Claim, 8 Drawing Sheets**



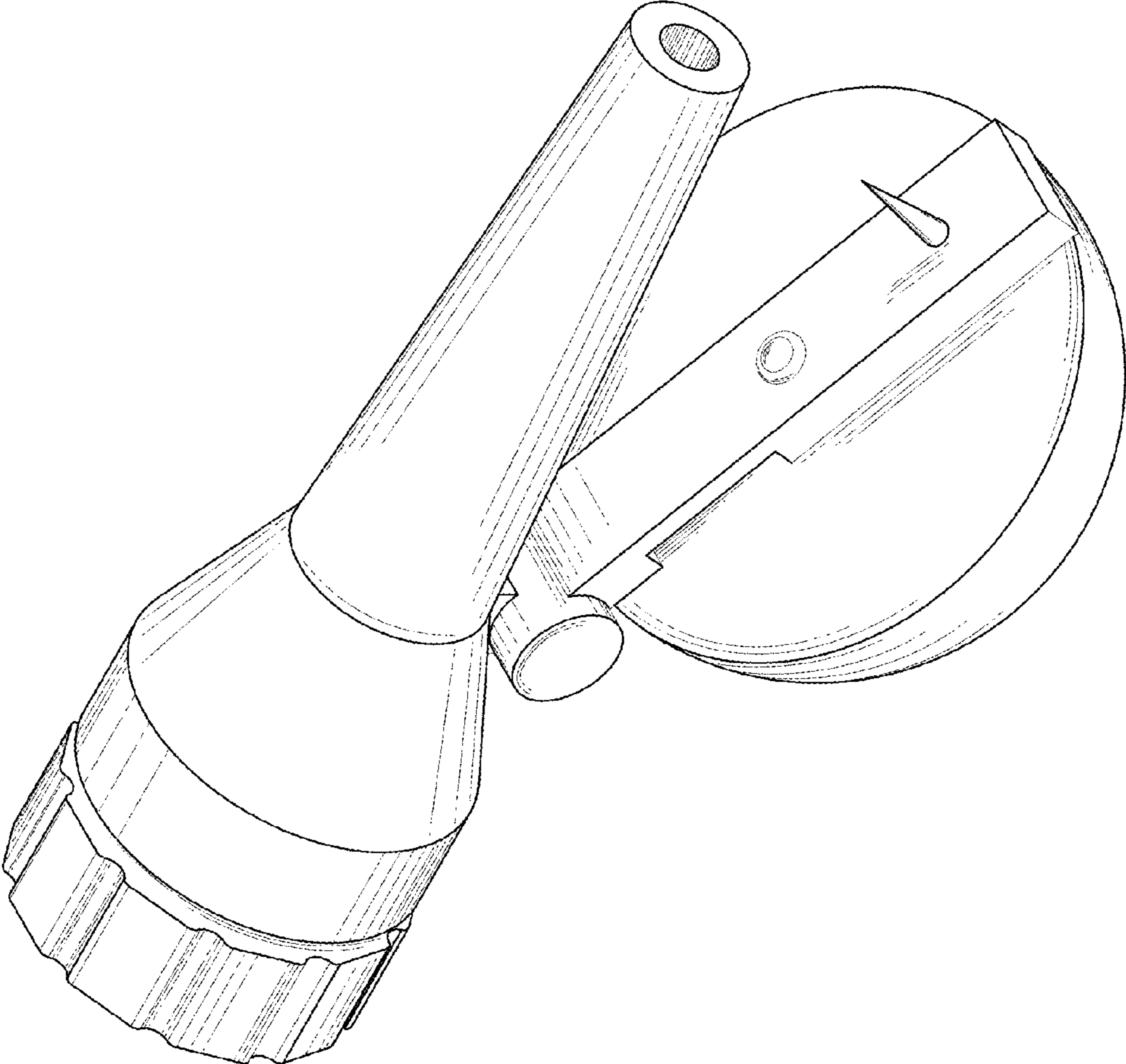


FIG. 1

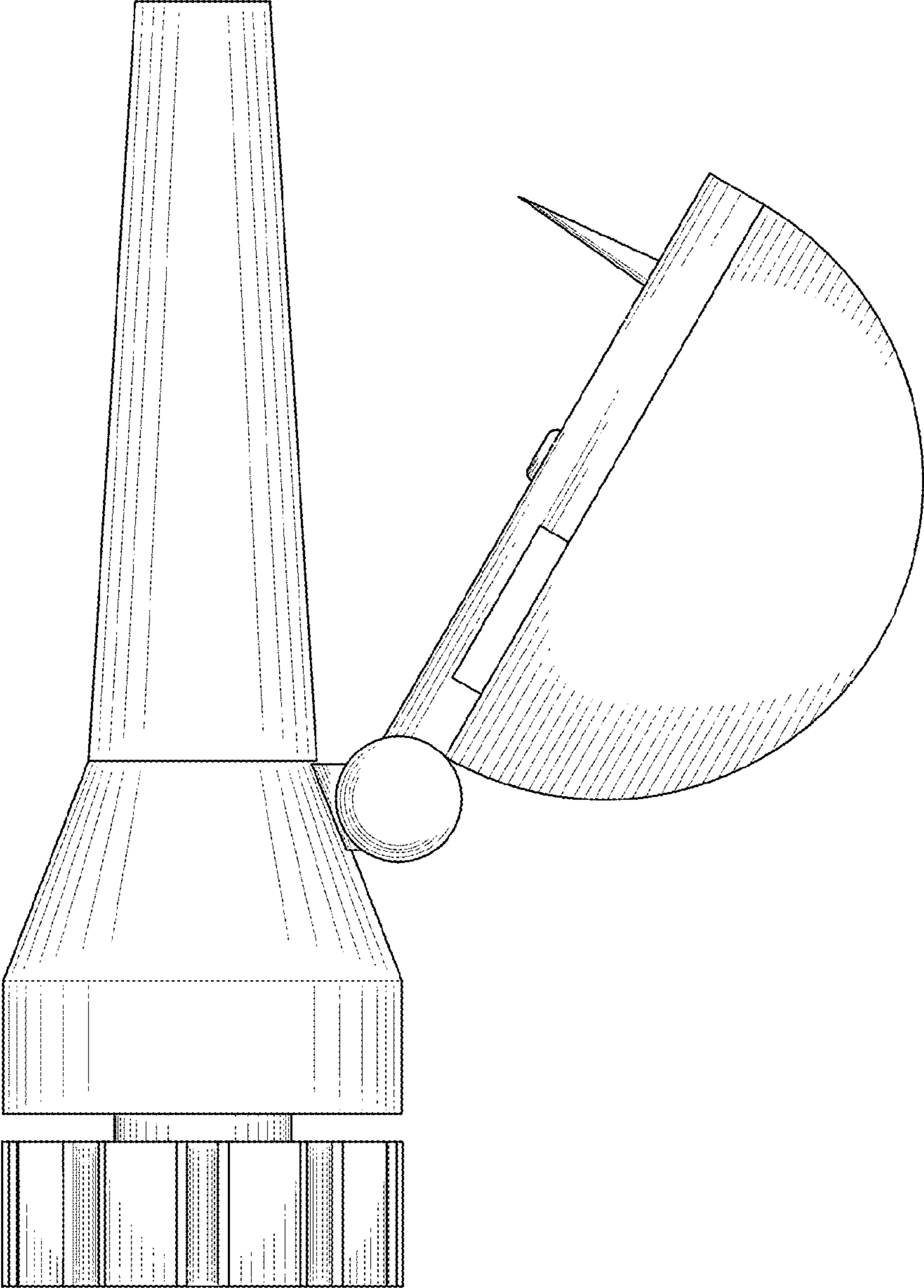


FIG. 2

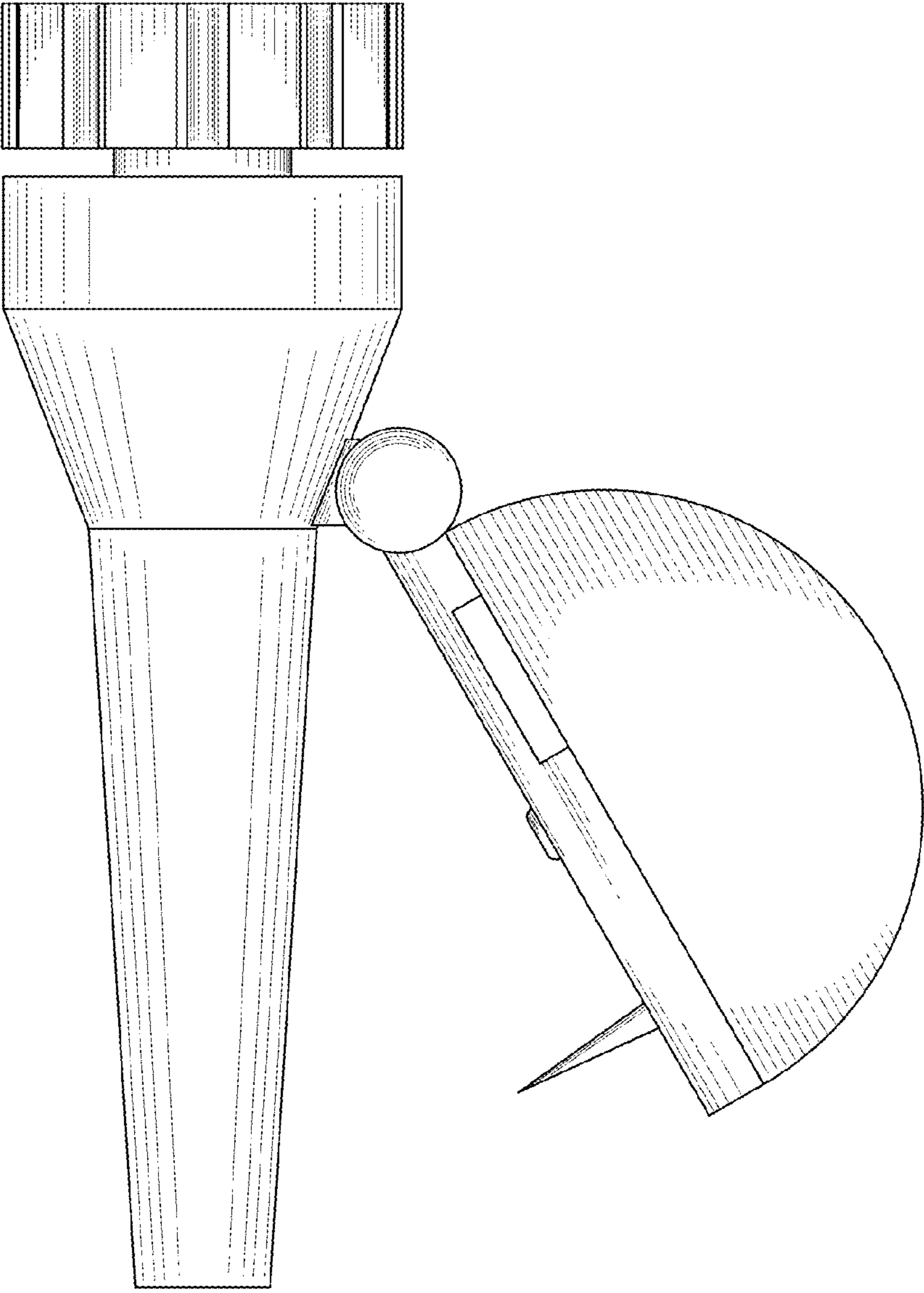


FIG. 3

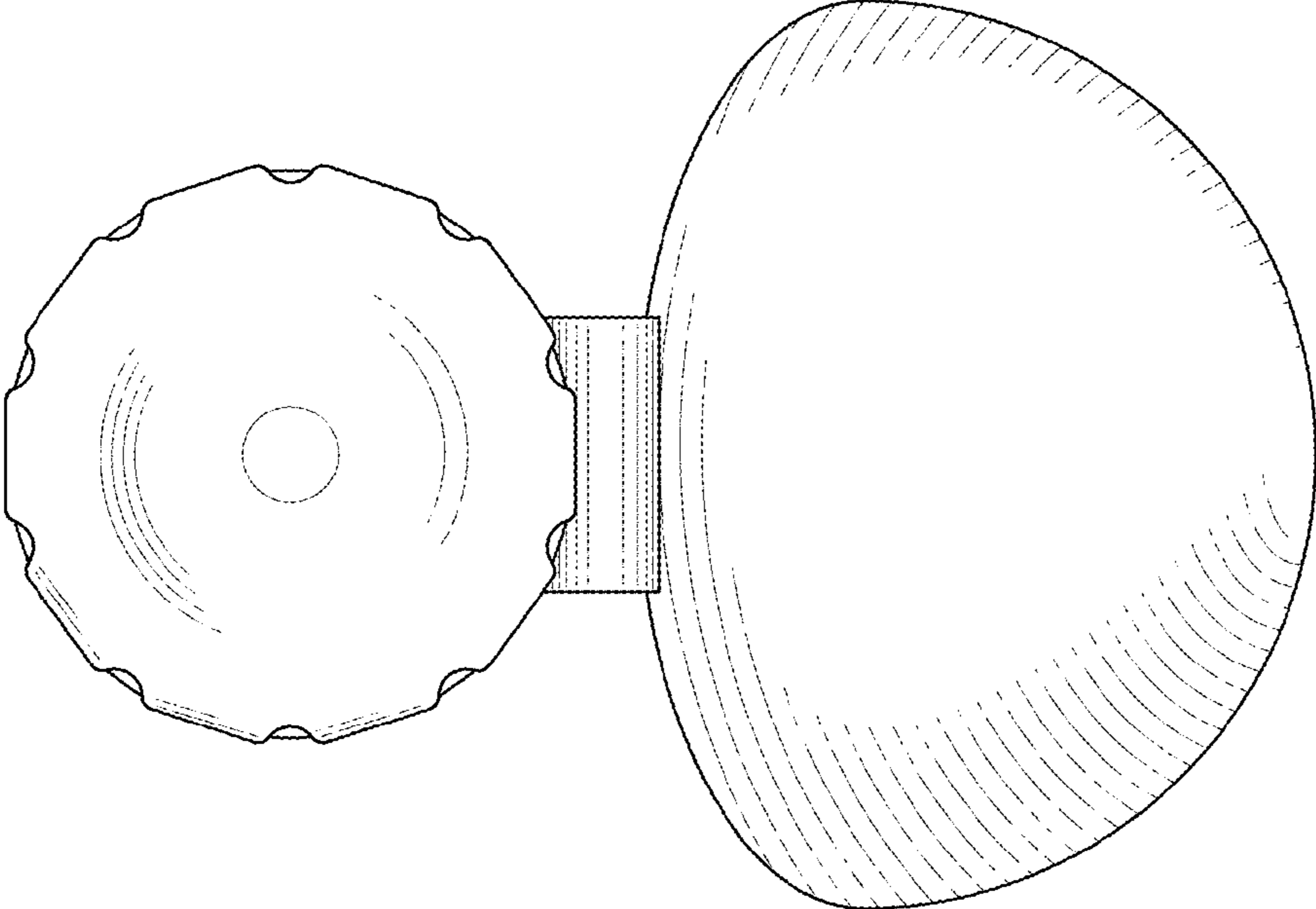


FIG. 4



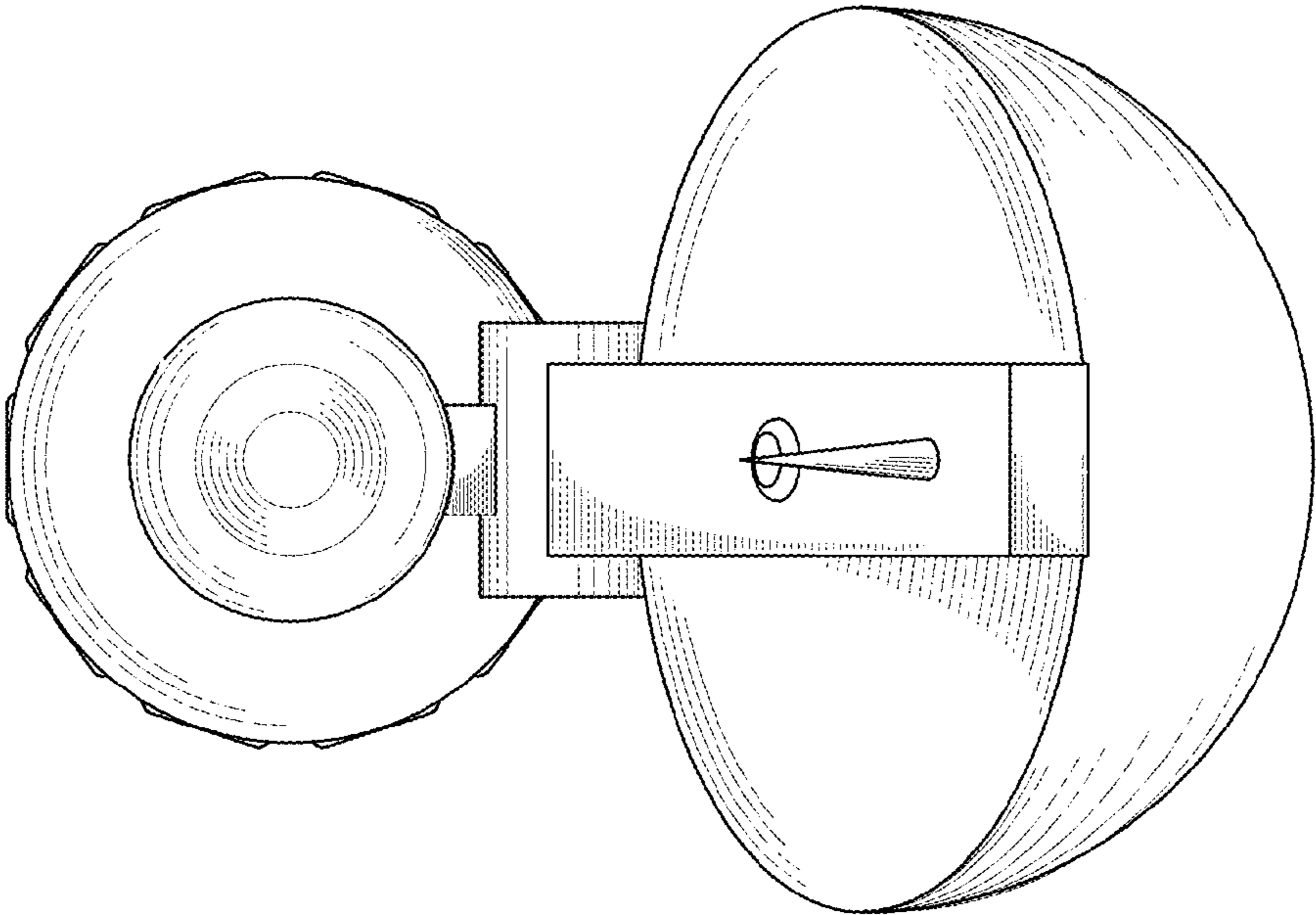


FIG. 5

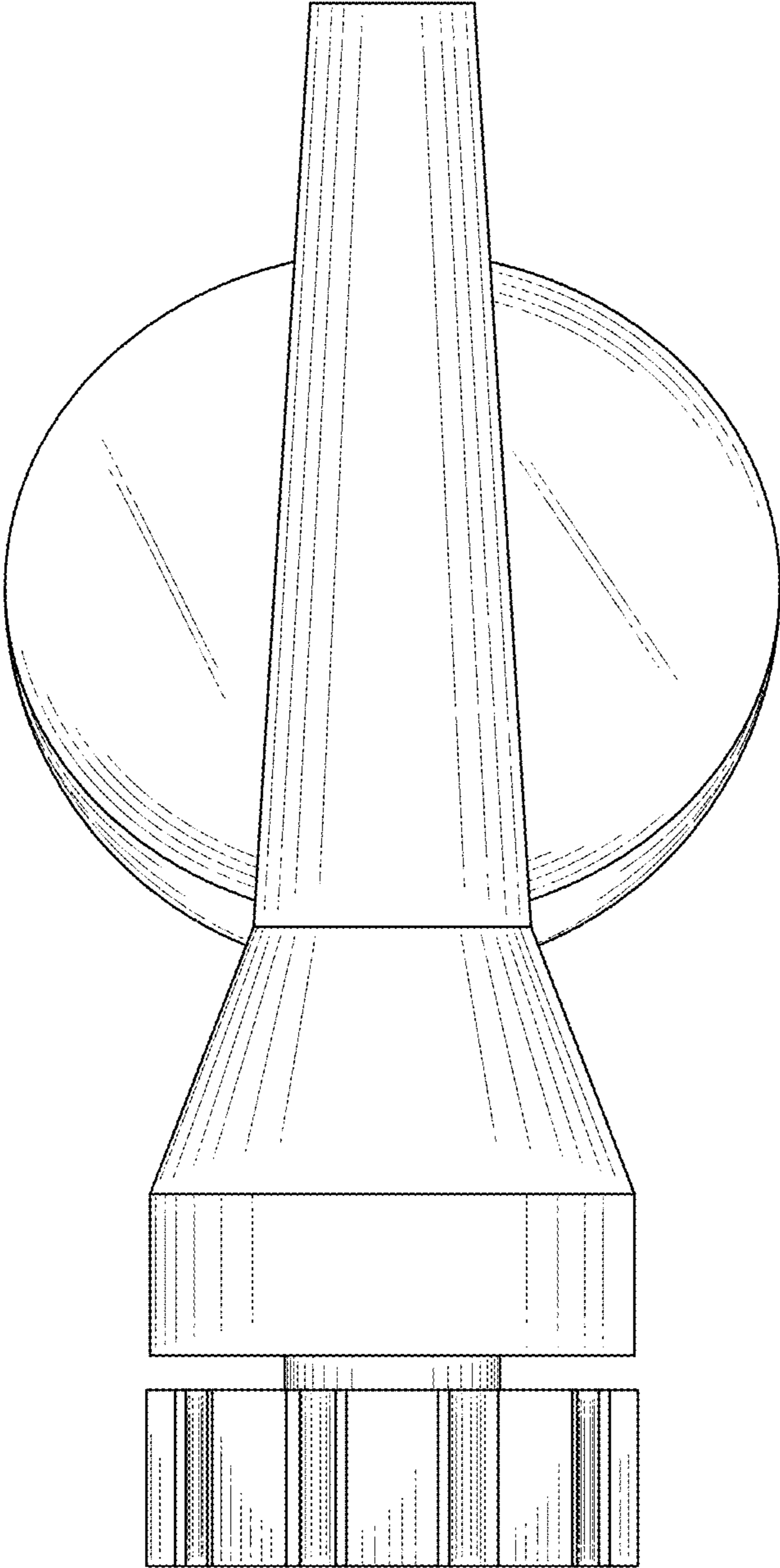


FIG. 6

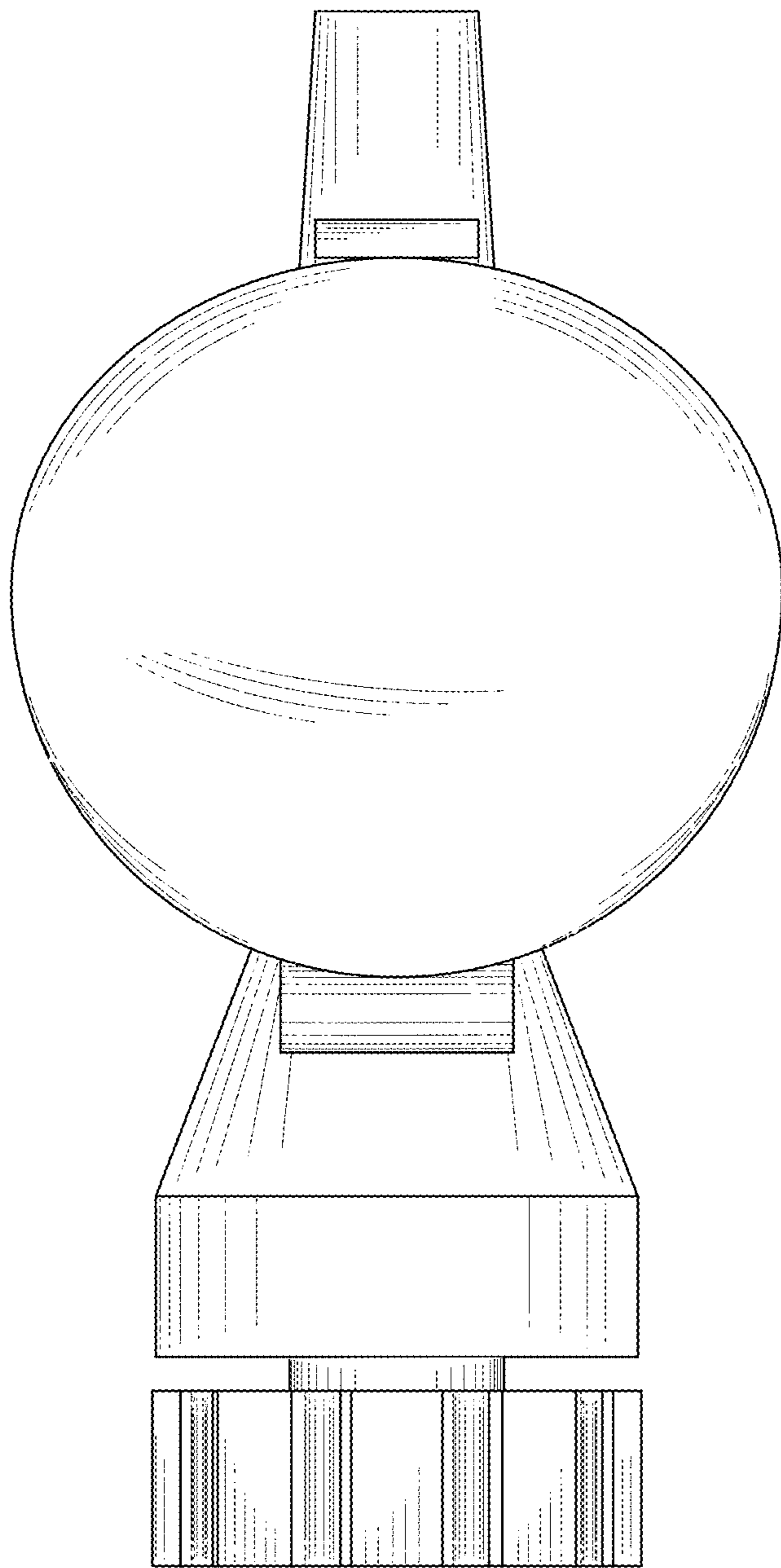


FIG. 7



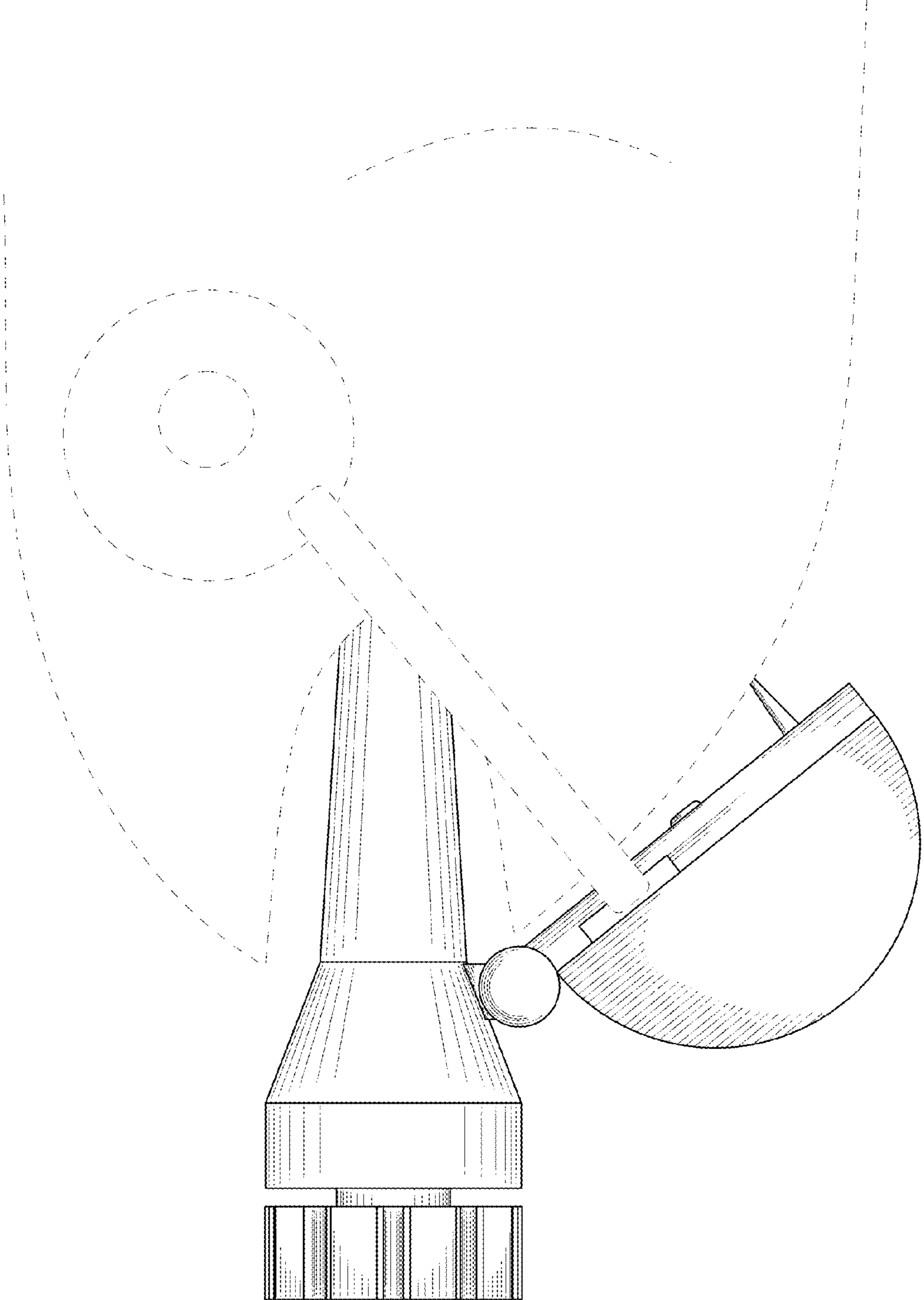


FIG. 8