



US00D760866S

(12) **United States Design Patent**  
**Monteleone**

(10) **Patent No.:** **US D760,866 S**  
(45) **Date of Patent:** **\*\* Jul. 5, 2016**

(54) **FISHING LURE BLADE ATTACHMENT CLIP**

D678,459 S \* 3/2013 Hirata ..... D22/126

\* cited by examiner

(71) Applicant: **Picasso Lures, LLC**, Josephine, PA (US)

*Primary Examiner* — Catheri Oliver-Garcia

(72) Inventor: **Terry Monteleone**, Indiana, PA (US)

(74) *Attorney, Agent, or Firm* — Buchanan Ingersoll & Rooney PC

(73) Assignee: **Picasso Lures, LLC**, Indiana, PA (US)

(57) **CLAIM**

(\*\*) Term: **14 Years**

The ornamental design for a fishing lure blade attachment clip, as shown and described.

(21) Appl. No.: **29/516,048**

**DESCRIPTION**

(22) Filed: **Jan. 29, 2015**

(51) **LOC (10) Cl.** ..... **22-05**

(52) **U.S. Cl.**  
USPC ..... **D22/134**

(58) **Field of Classification Search**  
USPC ..... D22/134, 126-133; 43/43.1, 44.84, 43/44.85, 44.92, 42.49; 24/601.1, 601.3, 24/601.8, 131 R, 698.3  
CPC ..... A01K 91/04; A01K 91/053  
See application file for complete search history.

FIG. 1 is a front perspective view of a fishing lure blade attachment clip showing my new design; FIG. 2 is a rear perspective view thereof; FIG. 3 is a front view thereof; FIG. 4 is a rear view thereof; FIG. 5 is a side elevational view thereof; FIG. 6 is a top plan view thereof; FIG. 7 is a bottom plan view thereof; FIG. 8 is a first perspective view illustrating my inventive fishing lure blade attachment clip used in combination with a fishing lure and blade; FIG. 9 is a second perspective view illustrating my inventive fishing lure blade attachment clip used in combination with a fishing lure and blade; and, FIG. 10 is a third perspective view illustrating my inventive fishing lure blade attachment clip used in combination with a fishing lure and blade.

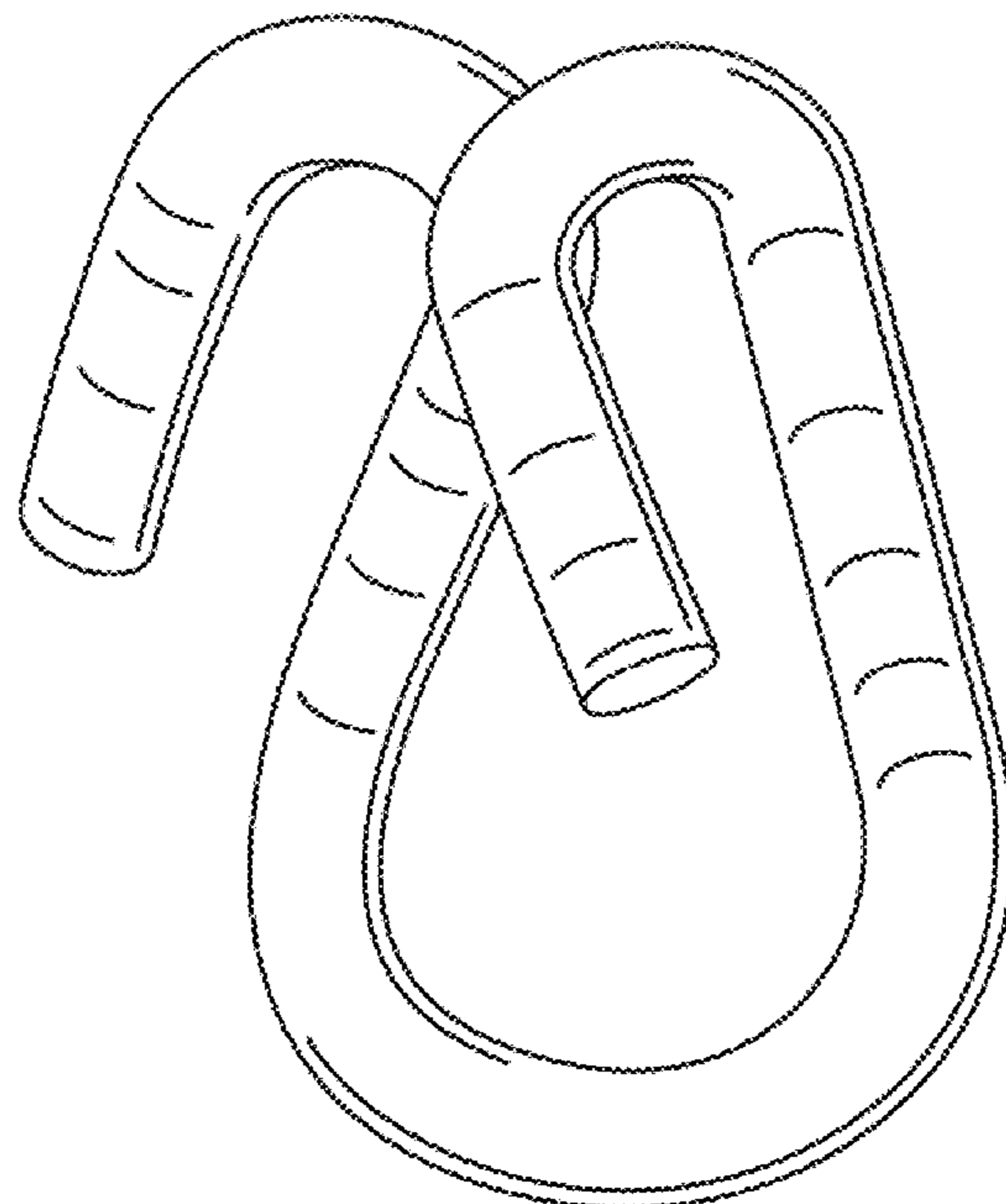
The phantom lines in FIGS. 8-10 depict environmental structure and are for illustrative purposes only to show a sample fishing lure blade and a sample fishing lure to which the blade is attached by my inventive fishing lure blade attachment clip.

**1 Claim, 6 Drawing Sheets**

(56) **References Cited**

**U.S. PATENT DOCUMENTS**

2,315,295	A *	3/1943	Stogermayr	.....	A01K 91/053
					24/131 R
3,277,549	A *	10/1966	Bradshaw	.....	A01K 91/04
					24/601.1
3,750,240	A *	8/1973	Fridrich	.....	A01K 91/04
					24/601.1
4,656,699	A *	4/1987	Maahs	.....	A01K 91/04
					24/601.3
D393,688	S *	4/1998	Essad	.....	D22/134
D536,763	S *	2/2007	Friedrichs	.....	D22/134



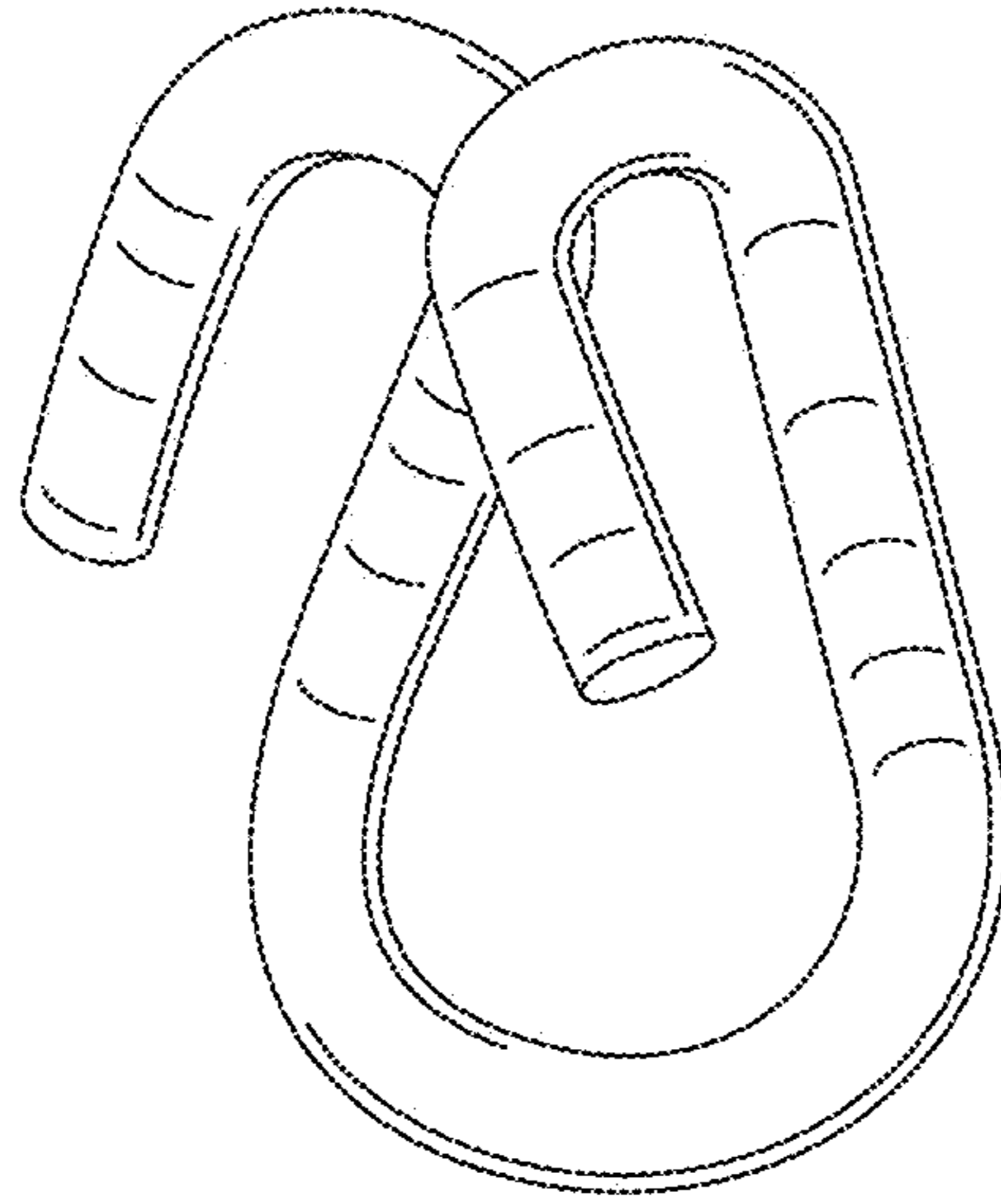


FIG. 1

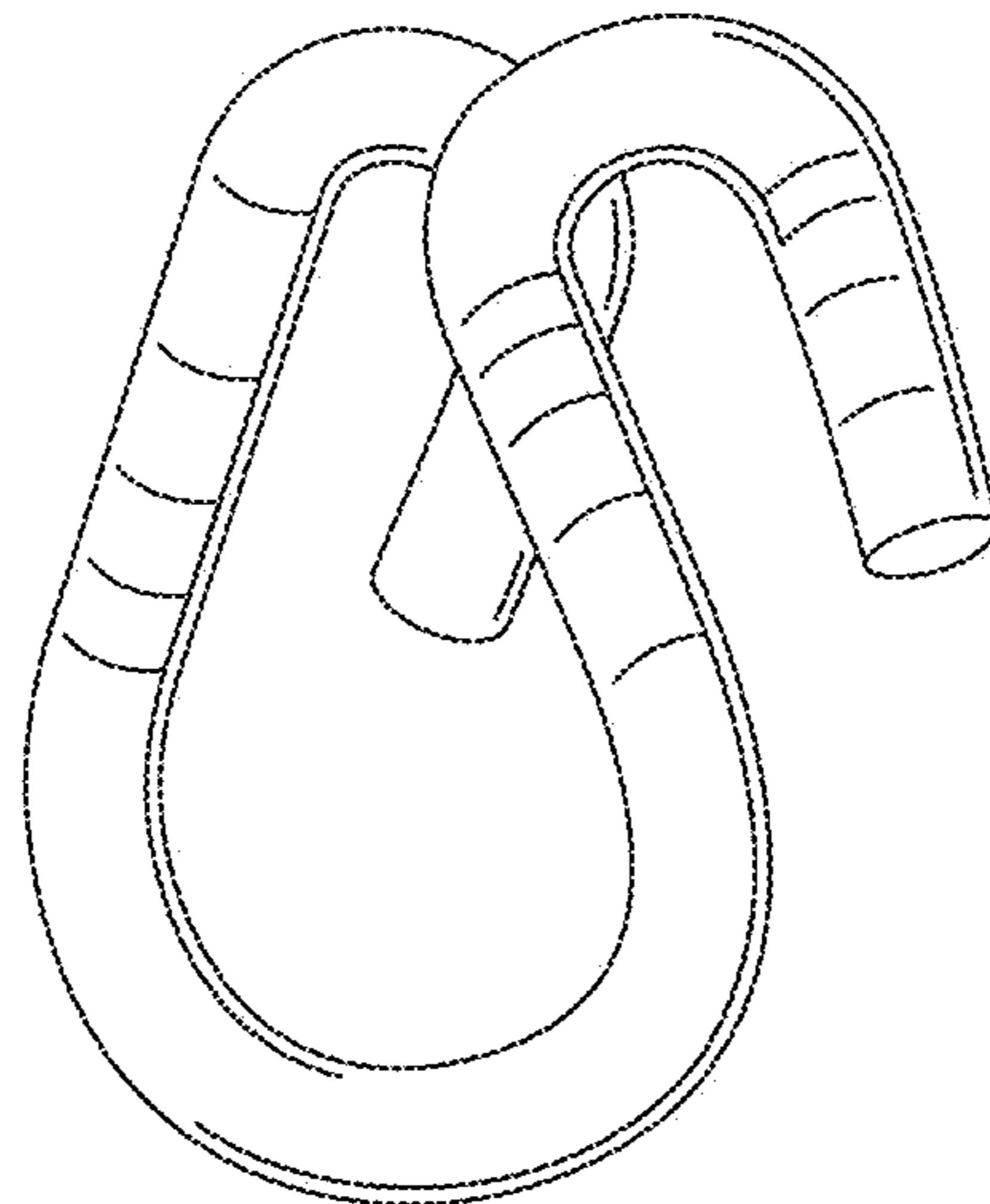


FIG. 2

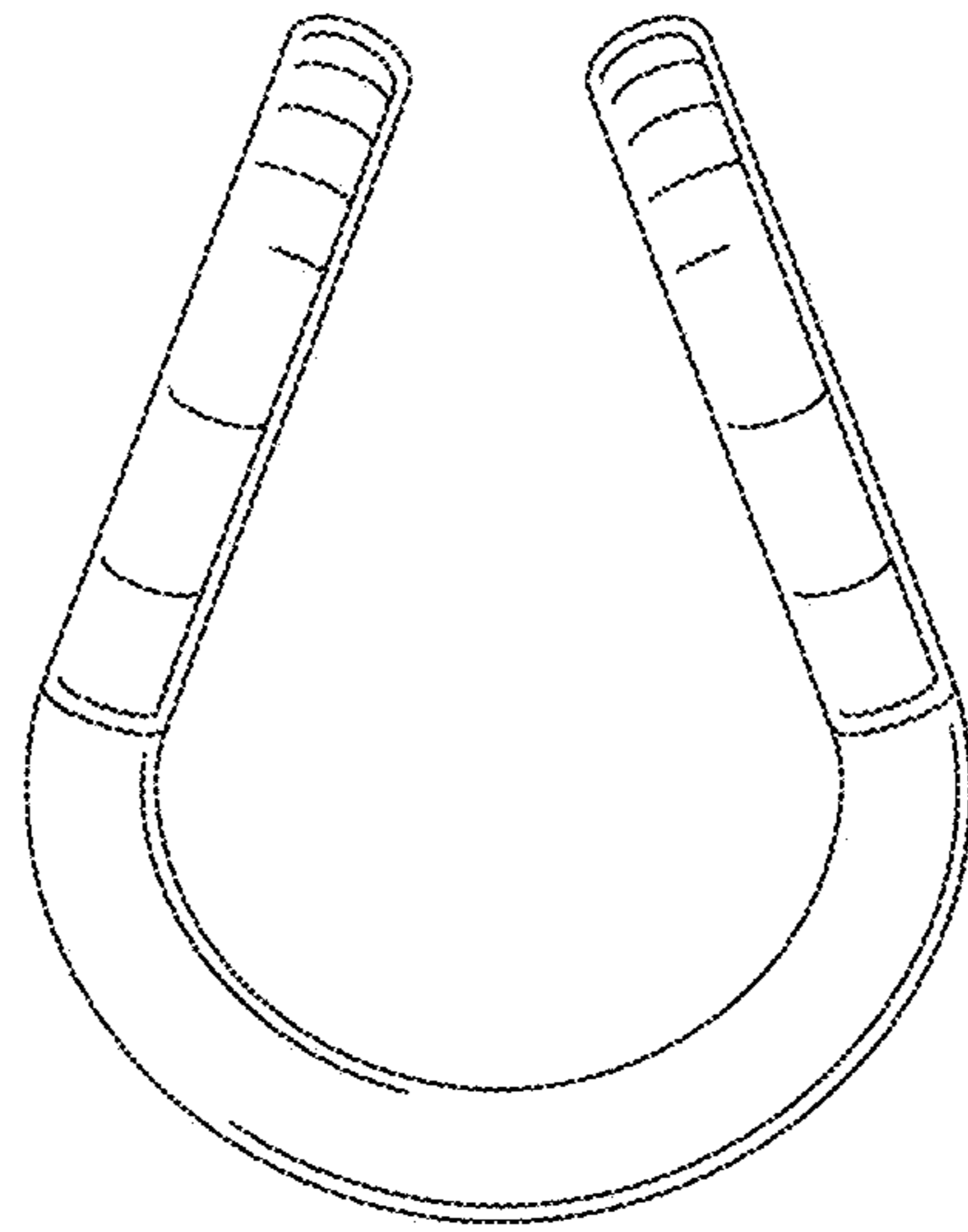


FIG. 3

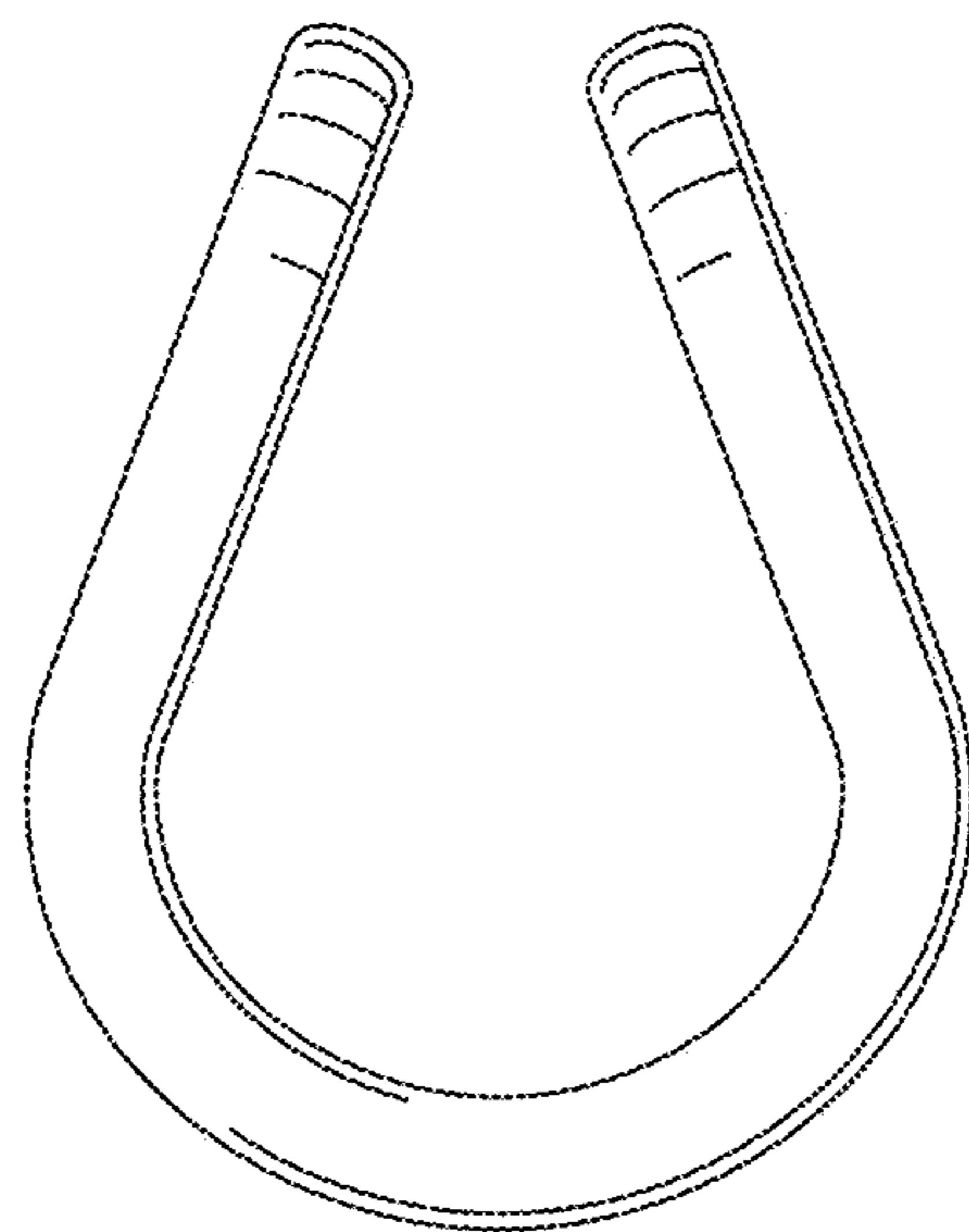


FIG. 4

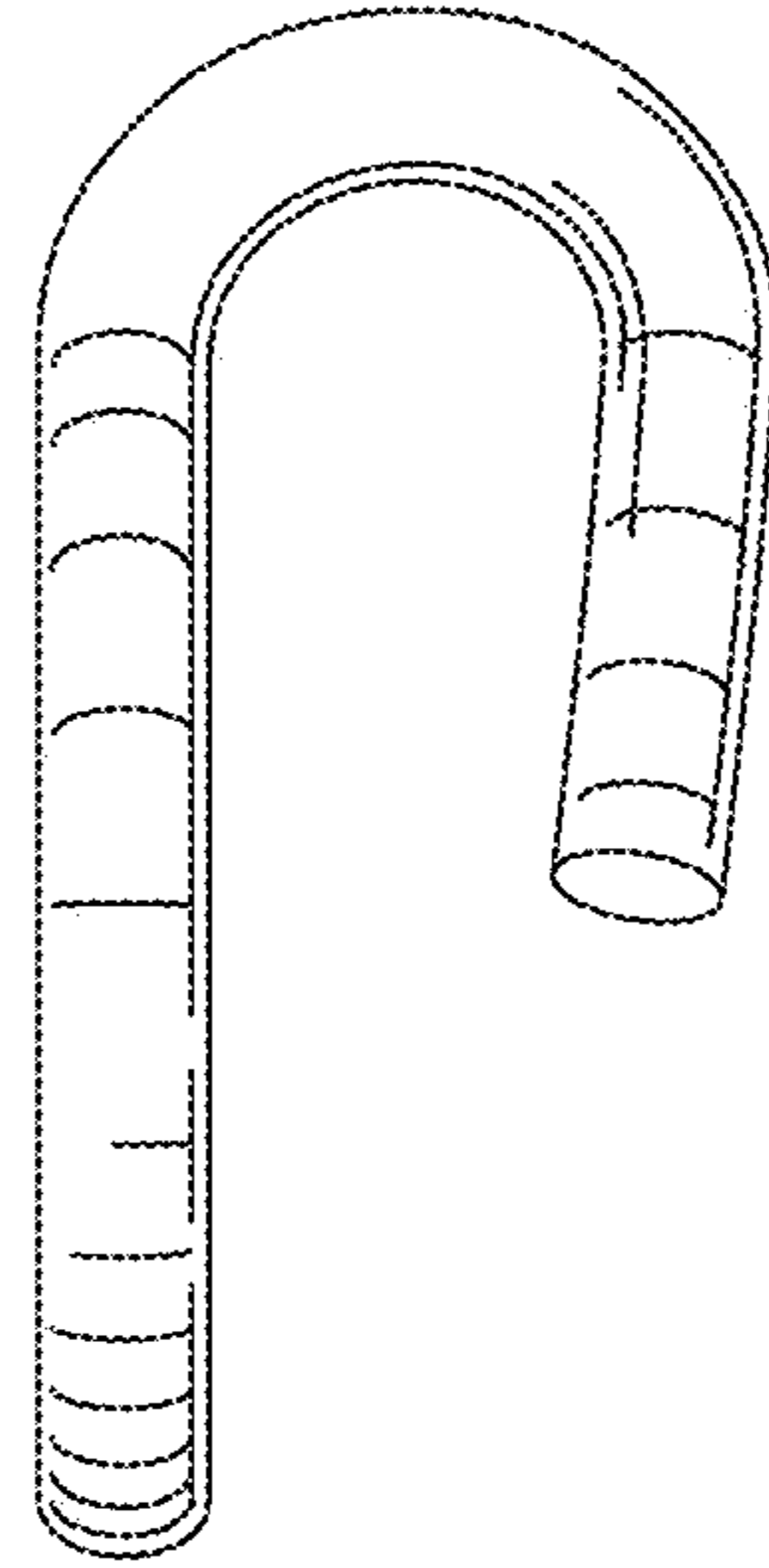


FIG. 5

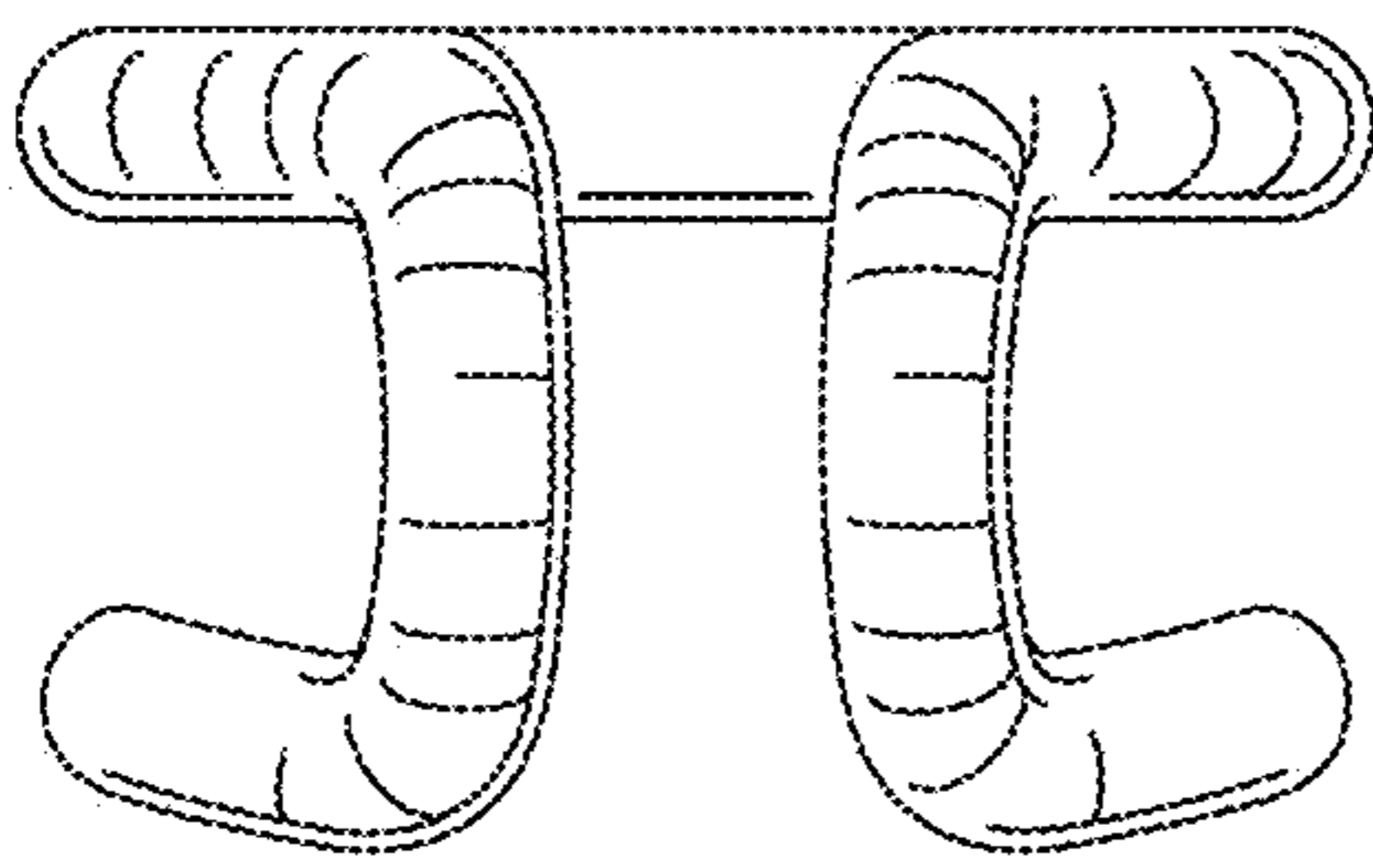


FIG. 6

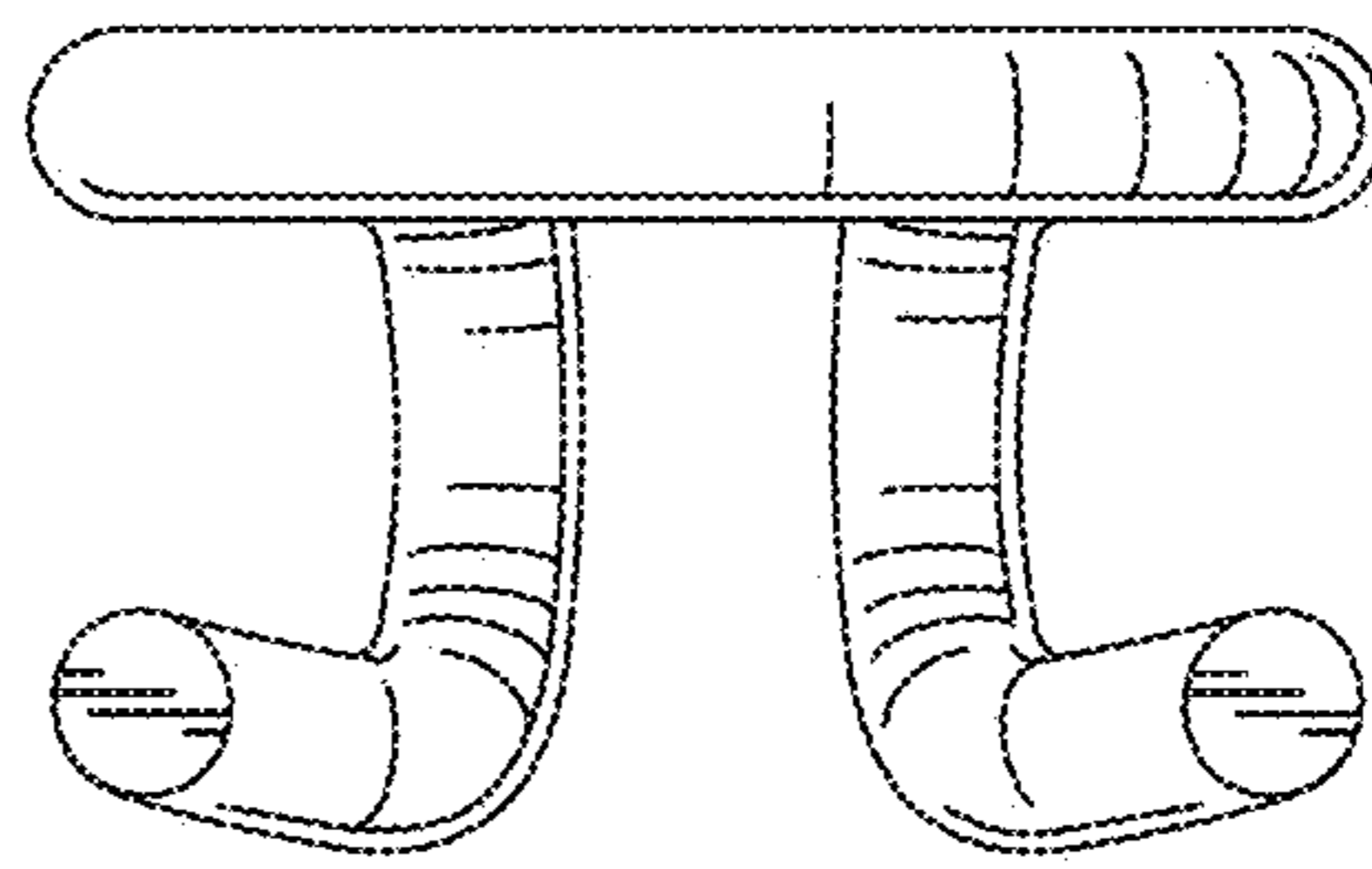


FIG. 7

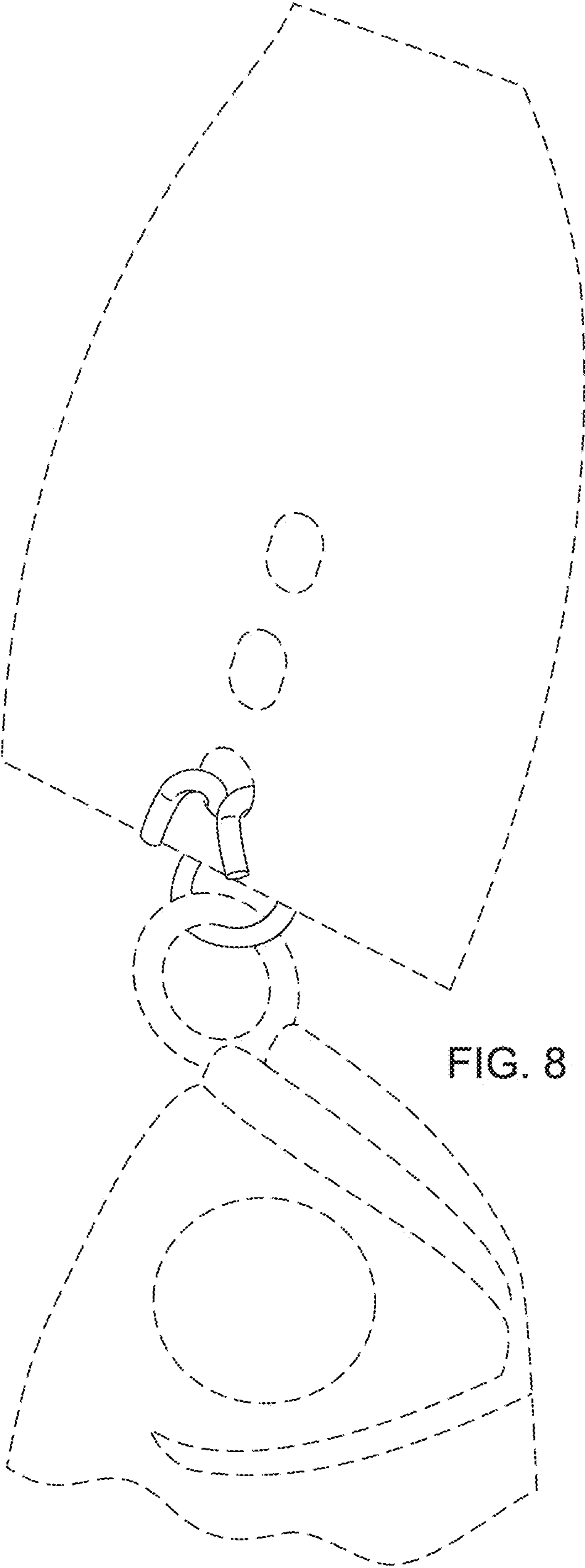


FIG. 8

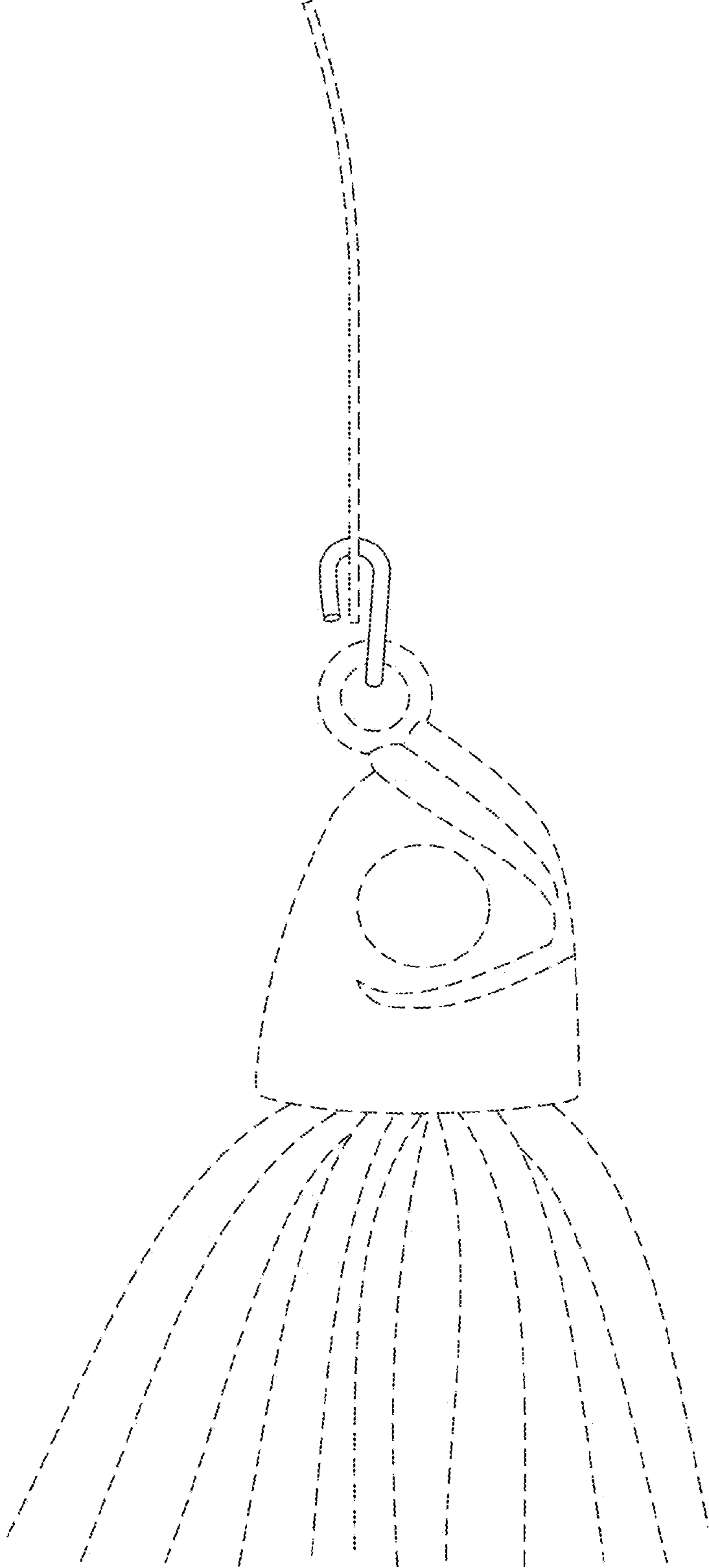


FIG. 9

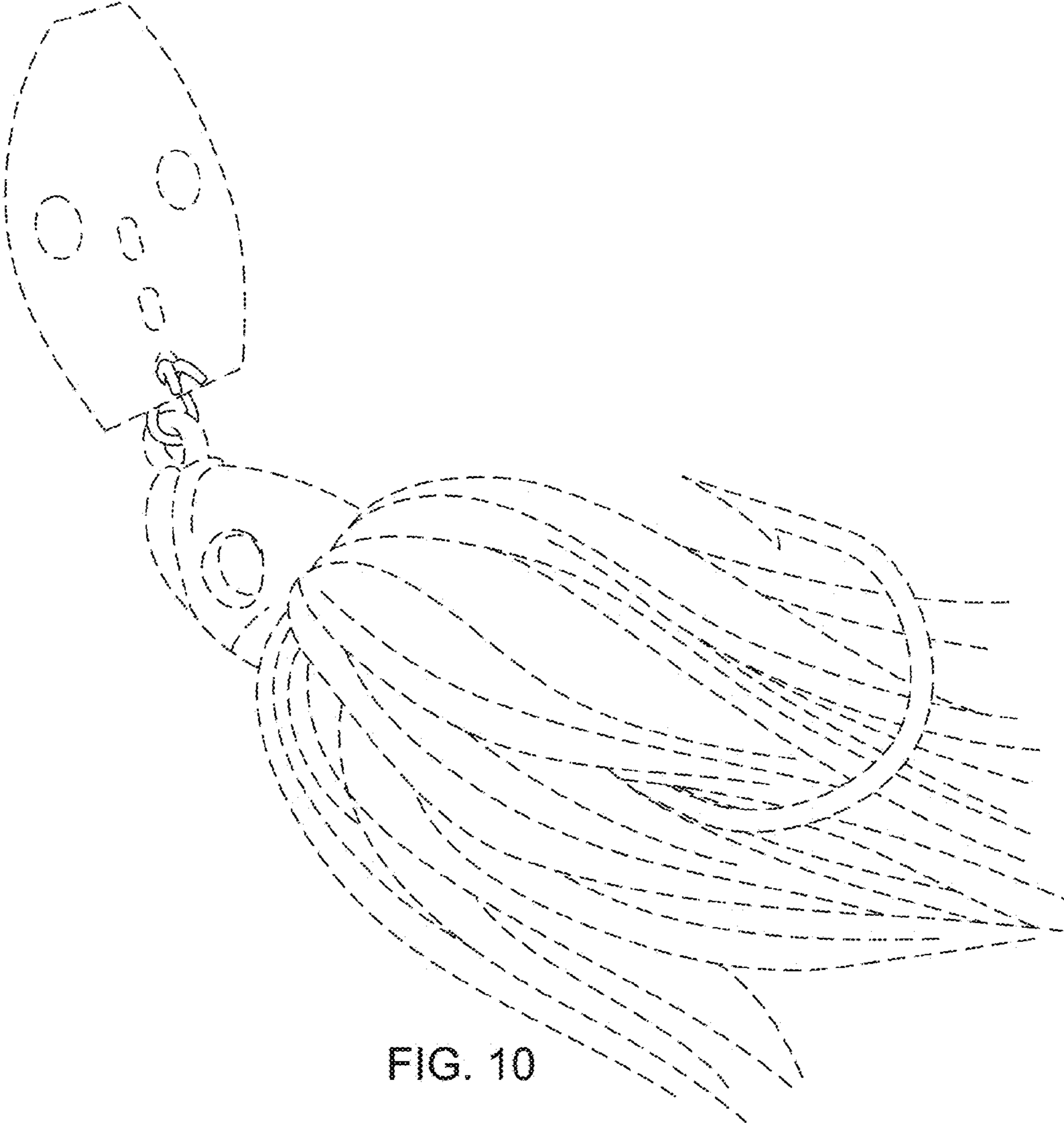


FIG. 10