



US00D760863S

(12) **United States Design Patent**
Wallgren

(10) **Patent No.:** **US D760,863 S**
(45) **Date of Patent:** **** Jul. 5, 2016**

(54) **PISTOL SIGHT**
(71) Applicant: **Henning Wallgren**, Longmont, CO (US)
(72) Inventor: **Henning Wallgren**, Longmont, CO (US)
(73) Assignee: **Henning's Shop, LLC**, Longmont, CO (US)

D667,523 S 9/2012 Glimpse et al.
D669,554 S * 10/2012 Warren D22/109
8,635,801 B2 * 1/2014 Glimpse F41G 1/02
42/131
D716,410 S 10/2014 Wallgren
D739,913 S * 9/2015 Nevils D22/109
2011/0314721 A1 12/2011 Lamb

* cited by examiner

(**) Term: **14 Years**

Primary Examiner — Michael A Pratt
(74) *Attorney, Agent, or Firm* — Santangelo Law Offices

(21) Appl. No.: **29/514,528**

(22) Filed: **Jan. 13, 2015**

(57) **CLAIM**

(51) **LOC (10) Cl.** **22-01**

The ornamental design for a pistol sight, as shown and described.

(52) **U.S. Cl.**
USPC **D22/109**

(58) **Field of Classification Search**
USPC D22/109
CPC F41G 11/003; F41G 1/00; F41G 1/16;
F41G 1/345
See application file for complete search history.

DESCRIPTION

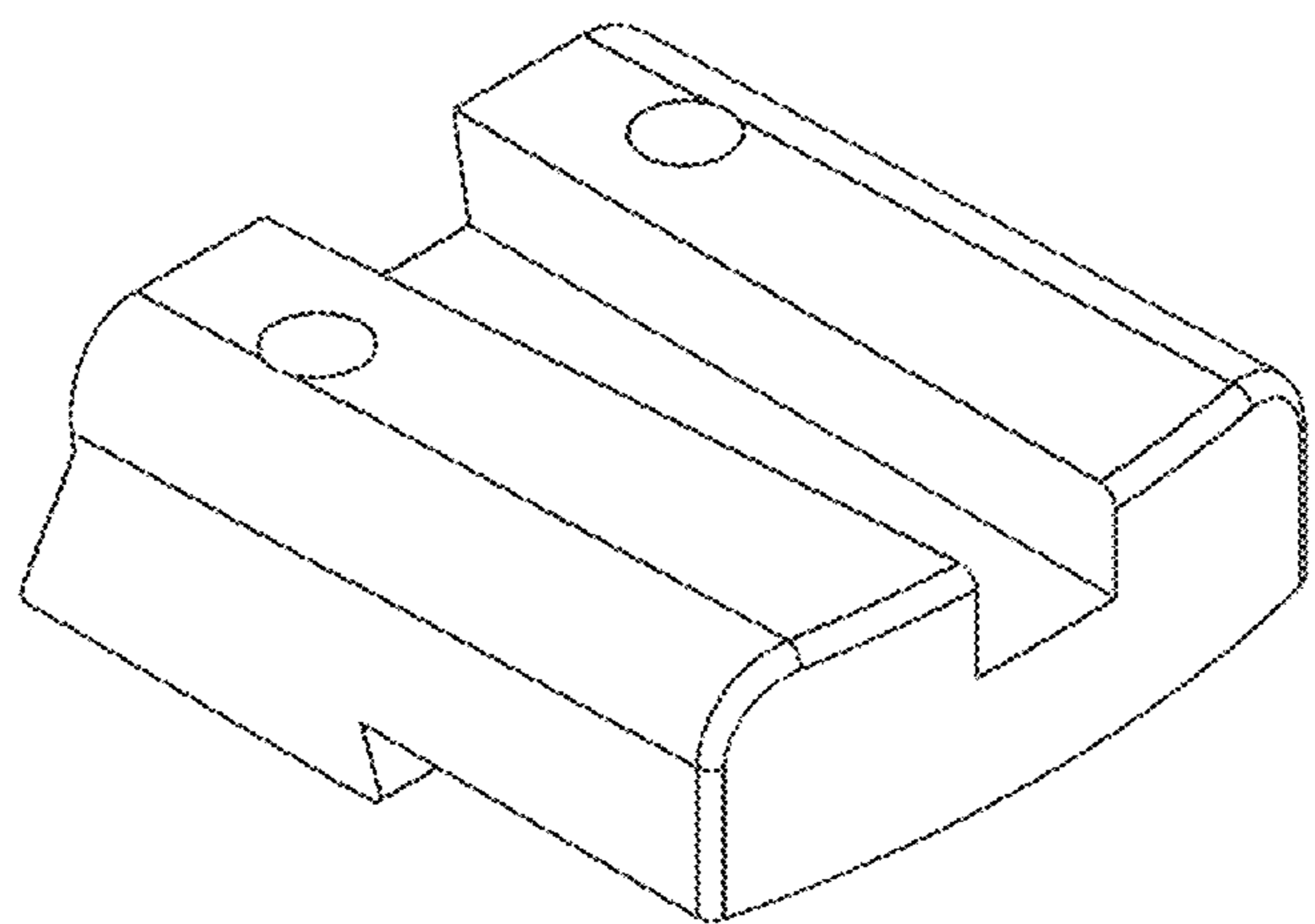
(56) **References Cited**

U.S. PATENT DOCUMENTS

D273,217 S 3/1984 Swenson
D296,227 S 6/1988 Novak
D352,087 S * 11/1994 Stevens D22/109
D363,334 S 10/1995 de Oliveira Masina
D403,734 S 1/1999 Kay
D407,788 S 4/1999 Kay
D520,592 S * 5/2006 Warren D22/109
D531,693 S * 11/2006 Warren D22/109
D534,986 S * 1/2007 Warren D22/109
D611,113 S 3/2010 Kay
8,132,352 B2 * 3/2012 Lippard F41A 17/56
42/1.06
D662,170 S * 6/2012 Keng D22/109

FIG. 1: is a perspective view of a pistol sight in one embodiment thereof.
FIG. 2: is a back view of a pistol sight in one embodiment thereof.
FIG. 3: is a front view of a pistol sight in one embodiment thereof.
FIG. 4: is a left view of a pistol sight in one embodiment thereof.
FIG. 5: is a right view of a pistol sight in one embodiment thereof.
FIG. 6: is a bottom view of a pistol sight in one embodiment thereof; and,
FIG. 7: is a top view of a pistol sight in one embodiment thereof.
The present design is embodied in a pistol sight that may be presented as an accessory for pistols.

1 Claim, 7 Drawing Sheets



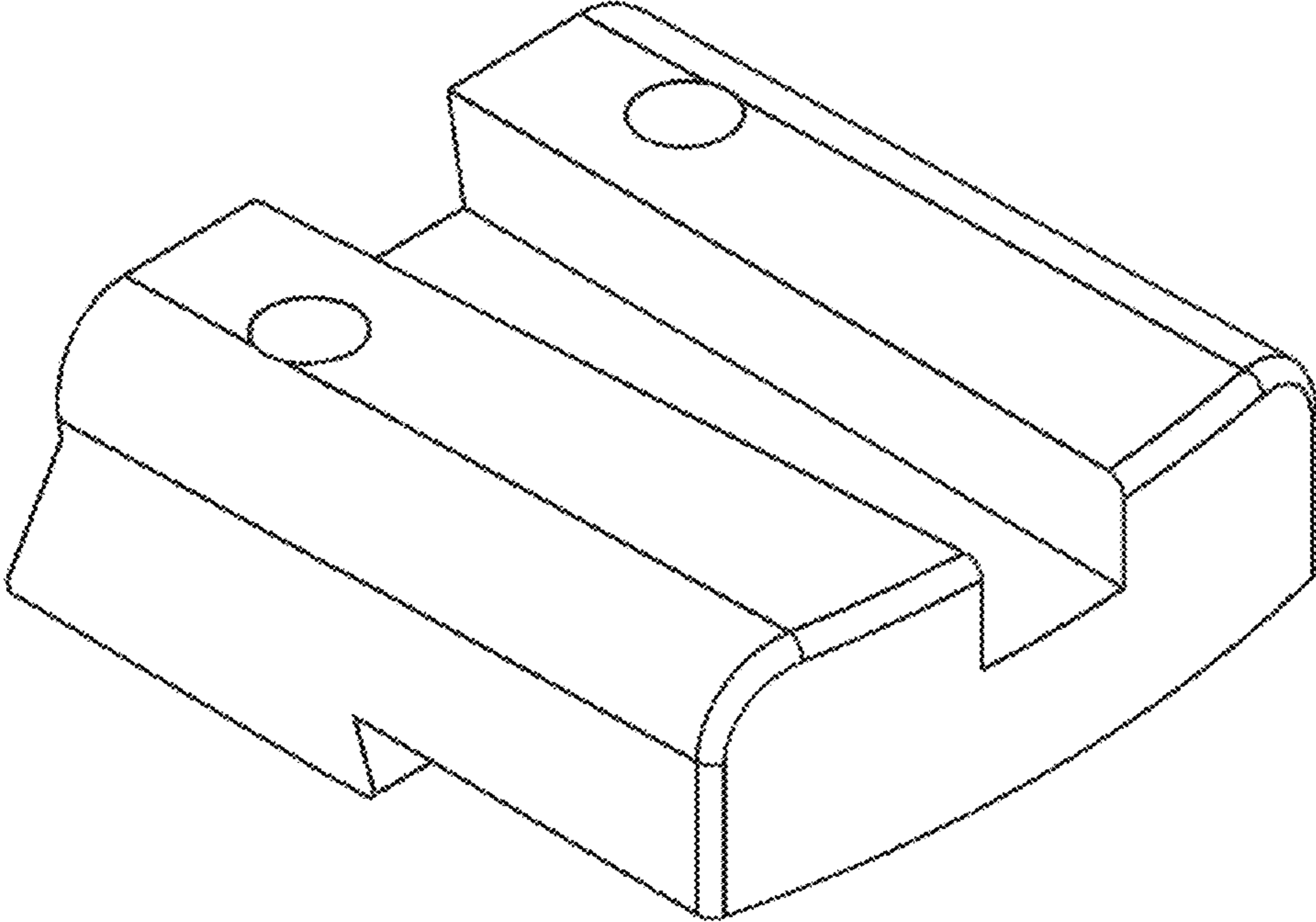


Fig. 1

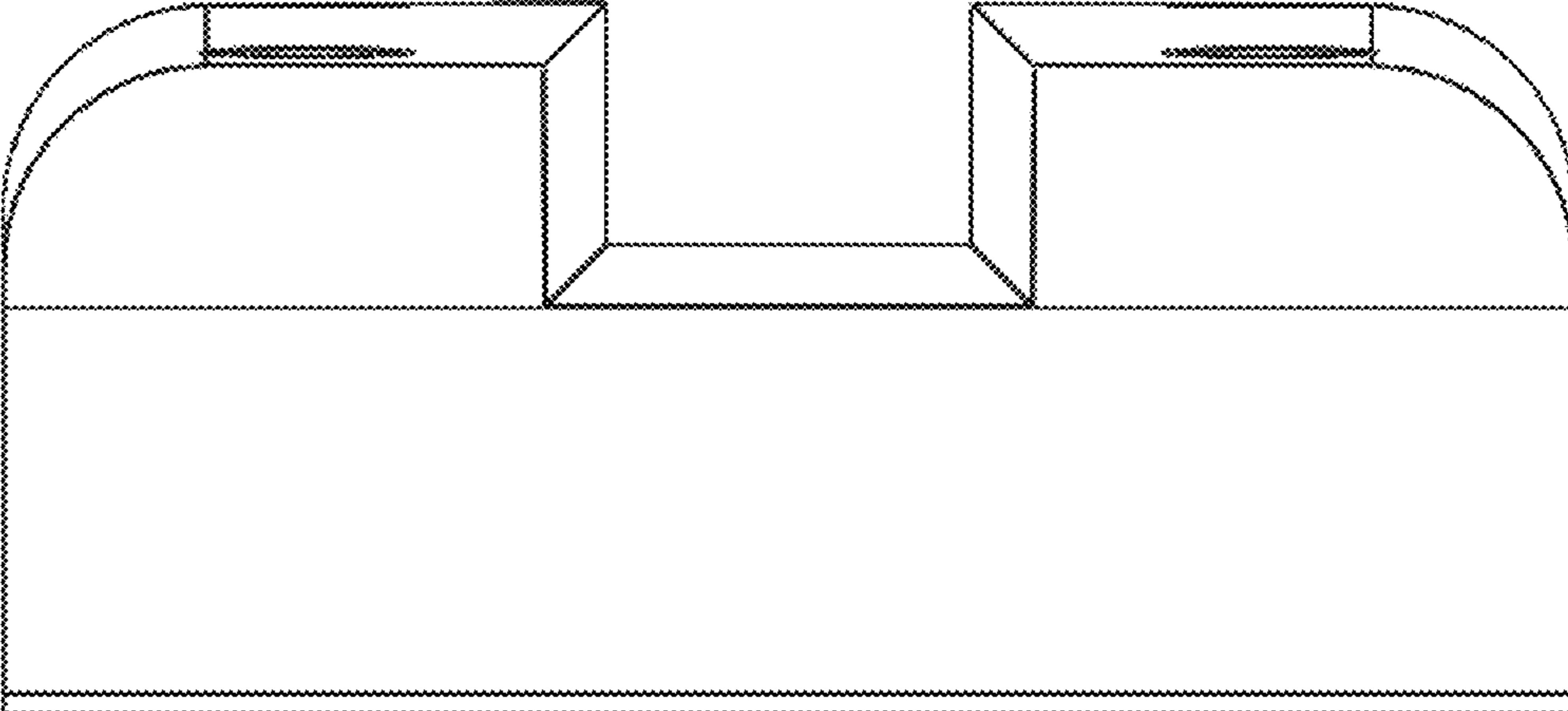


Fig. 2

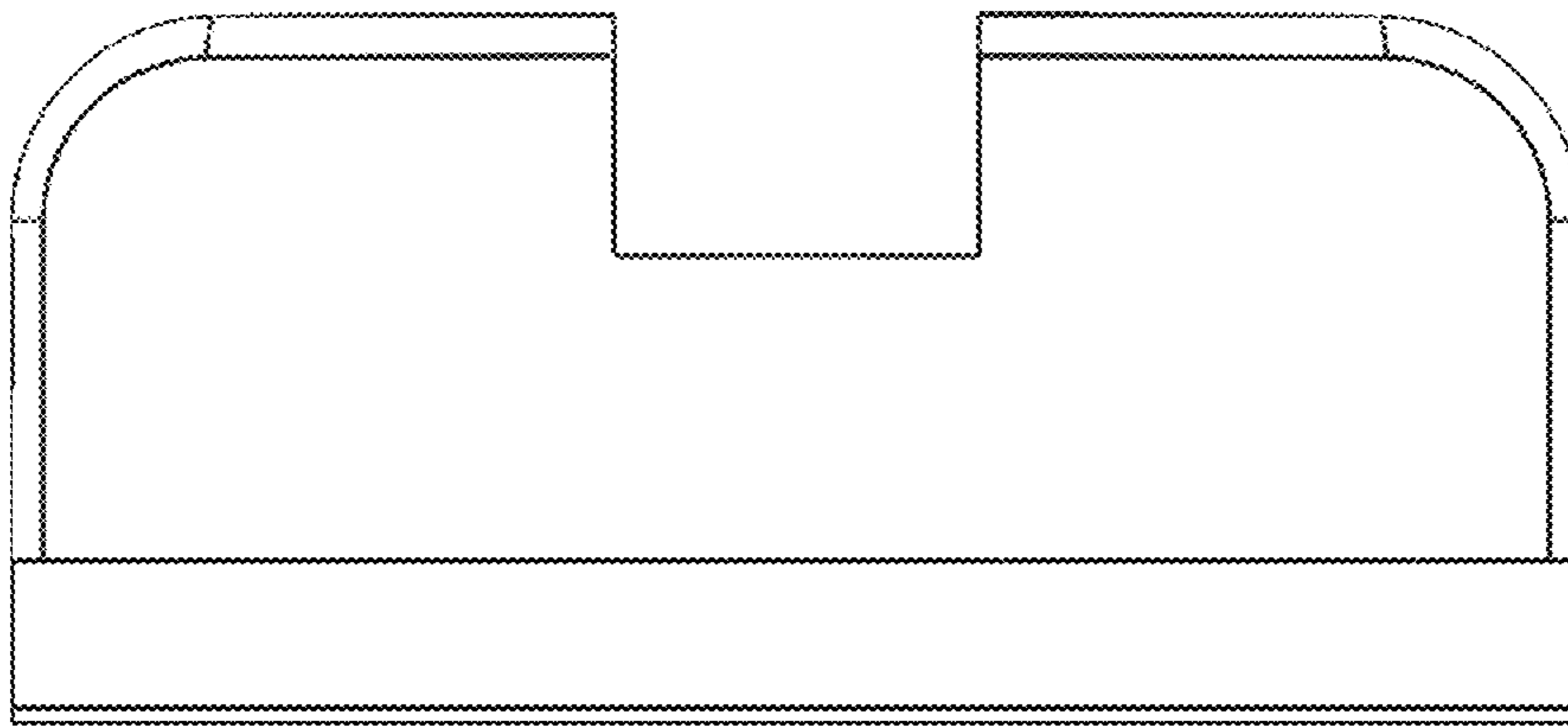


Fig. 3

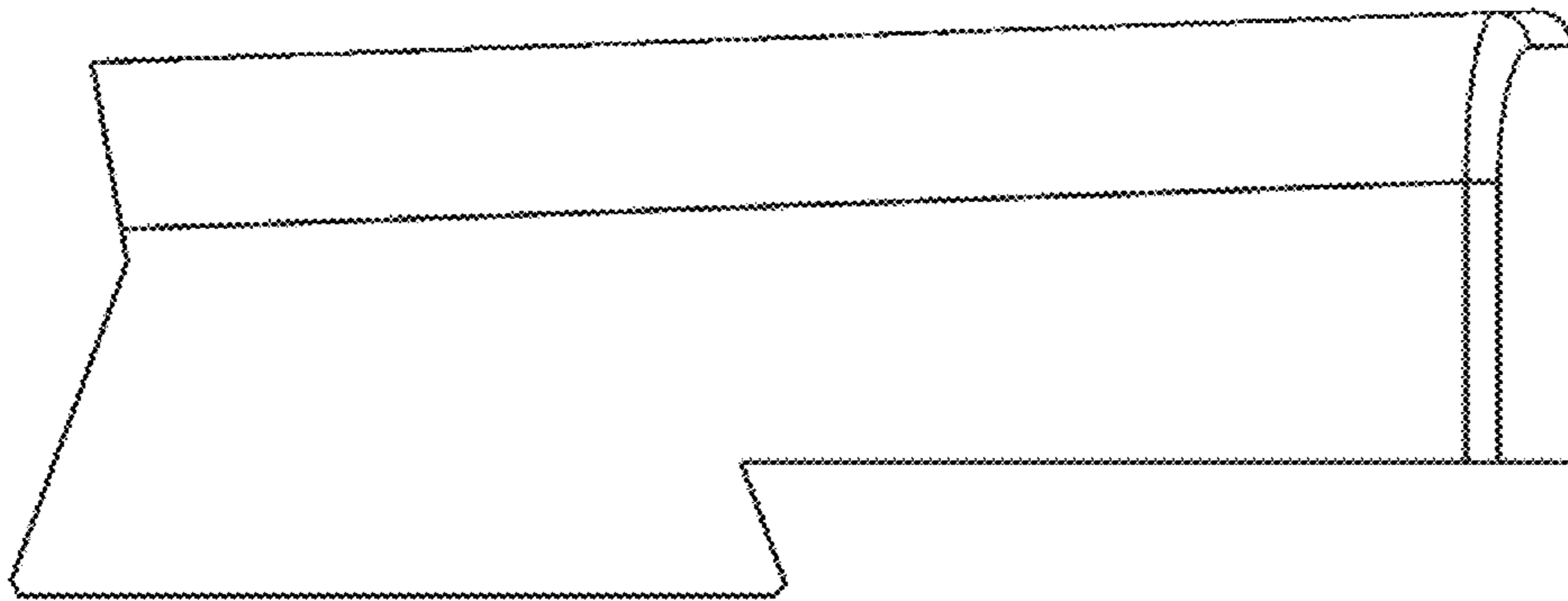


Fig. 4

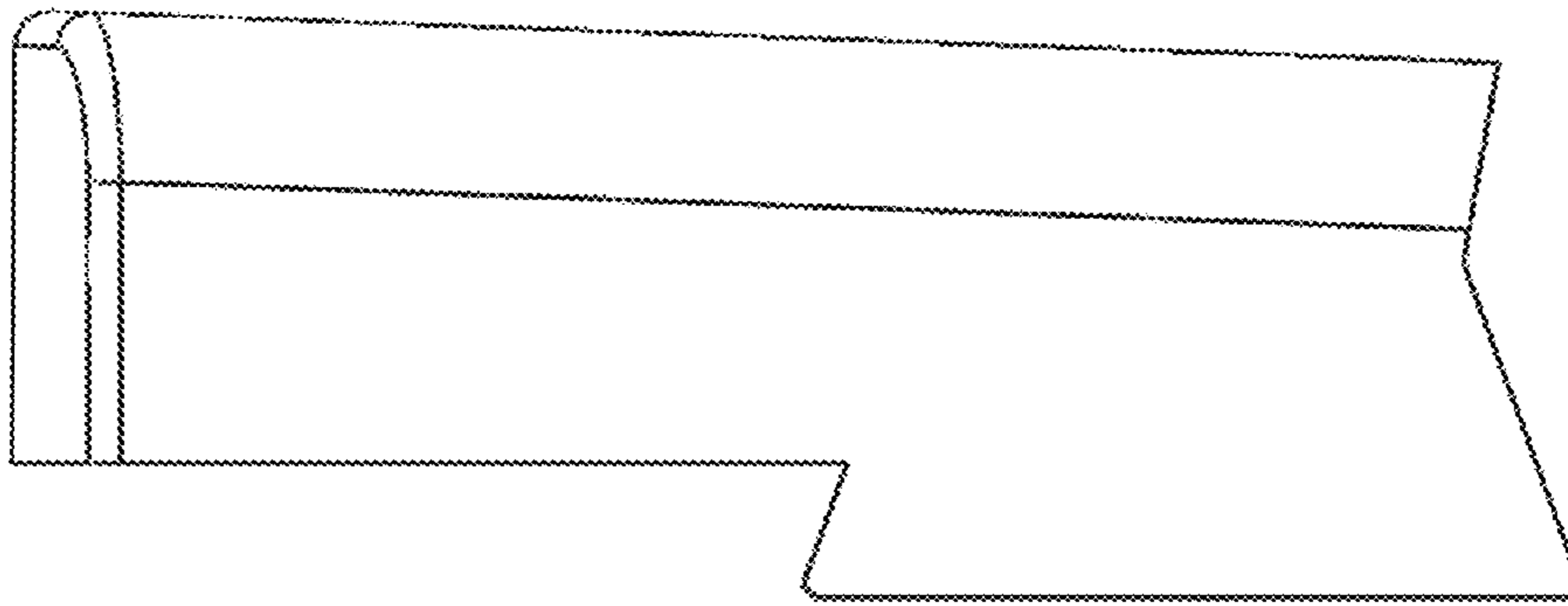


Fig. 5

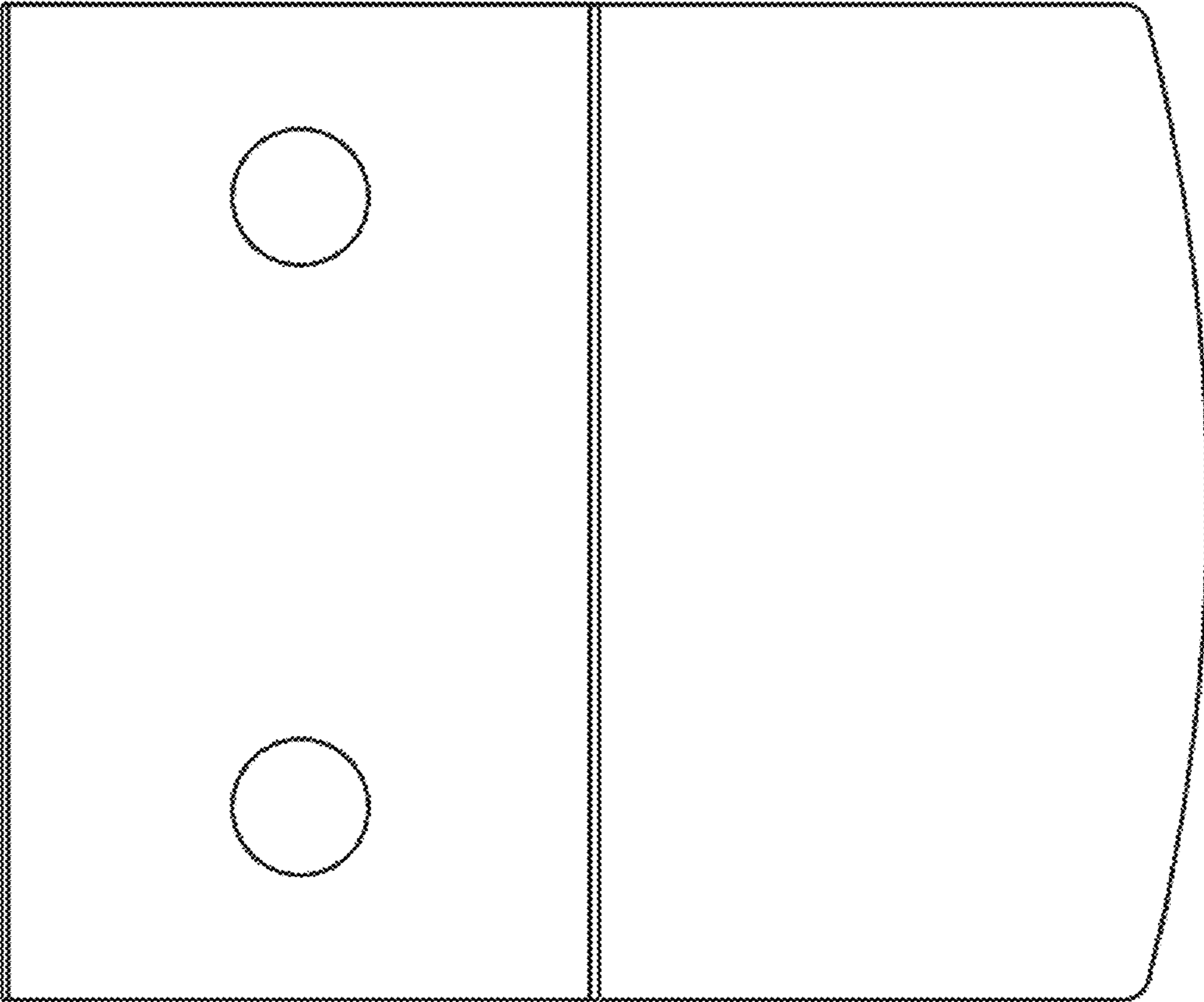


Fig. 6

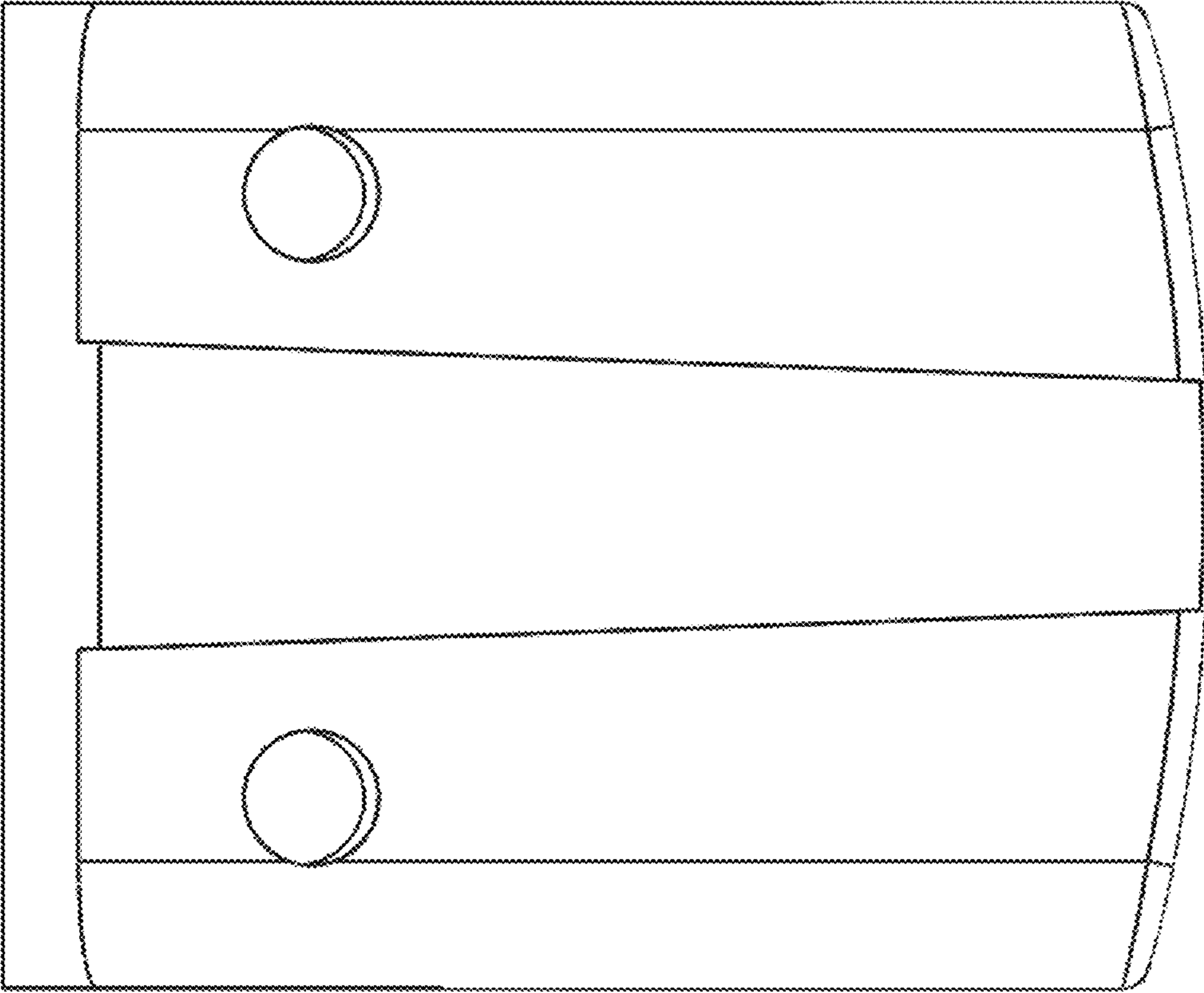


Fig. 7