



US00D760862S

(12) **United States Design Patent**
Wang

(10) **Patent No.:** **US D760,862 S**
(45) **Date of Patent:** **** Jul. 5, 2016**

(54) **ENHANCED BOLT CATCH**
(71) Applicant: **Roger Wang**, Pacific Palisades, CA (US)
(72) Inventor: **Roger Wang**, Pacific Palisades, CA (US)
(**) Term: **14 Years**
(21) Appl. No.: **29/516,942**
(22) Filed: **Feb. 7, 2015**
(51) **LOC (10) Cl.** **22-01**
(52) **U.S. Cl.**
USPC **D22/108**
(58) **Field of Classification Search**
USPC D22/103, 108
CPC F41C 23/10; F41C 23/14; F41C 23/16;
F41C 23/18; F41C 23/00; F41C 27/00;
F41C 27/06; F41A 5/18; F41A 5/24; F41A
21/28
See application file for complete search history.

8,984,786 B2 * 3/2015 Underwood F41A 9/59
42/18
9,016,188 B2 * 4/2015 Larson F41A 5/28
89/193
2003/0208940 A1 * 11/2003 Johnson F41A 3/12
42/18
2006/0123683 A1 * 6/2006 Garrett F41A 17/38
42/6
2014/0237878 A1 * 8/2014 Lambert F41A 3/66
42/75.01

* cited by examiner

Primary Examiner — Michael A Pratt
(74) *Attorney, Agent, or Firm* — Shaddock Law Group, PC

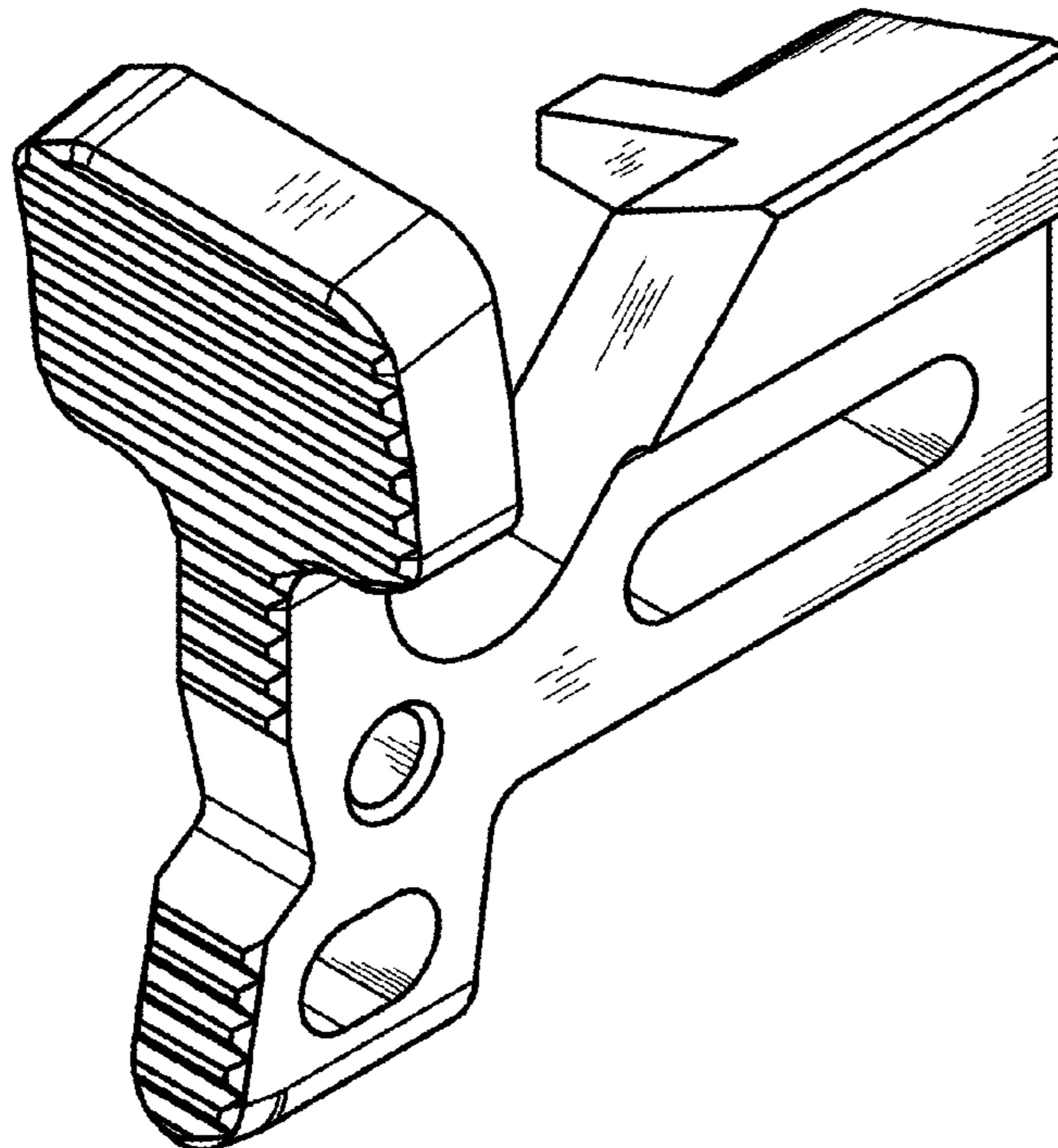
(57) **CLAIM**
The ornamental design for an enhanced bolt catch, as shown and described.

DESCRIPTION

FIG. 1 is an upper, front, perspective view of an exemplary embodiment of the enhanced bolt catch, showing my new design;
FIG. 2 is a lower, front, perspective side view thereof;
FIG. 3 is a front view thereof;
FIG. 4 is a rear view thereof;
FIG. 5 is a left view thereof;
FIG. 6 is a right view thereof;
FIG. 7 is a top view thereof; and,
FIG. 8 is a bottom view thereof.

1 Claim, 5 Drawing Sheets

(56) **References Cited**
U.S. PATENT DOCUMENTS
7,661,219 B1 * 2/2010 Knight, Jr. F41A 3/42
42/17
D652,468 S * 1/2012 Burt D22/108
8,261,652 B2 * 9/2012 Findlay F41A 17/36
42/70.02



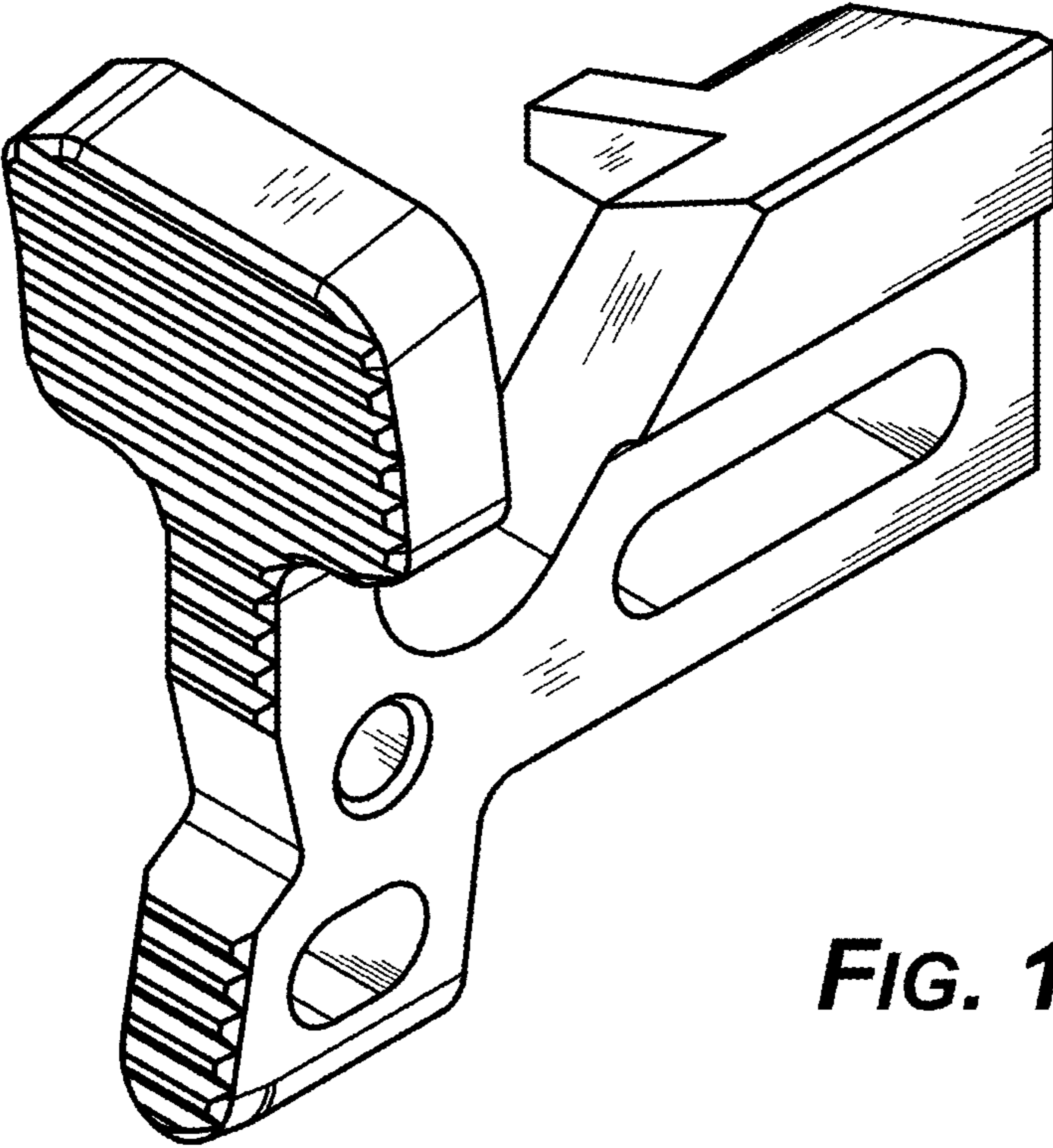


FIG. 1

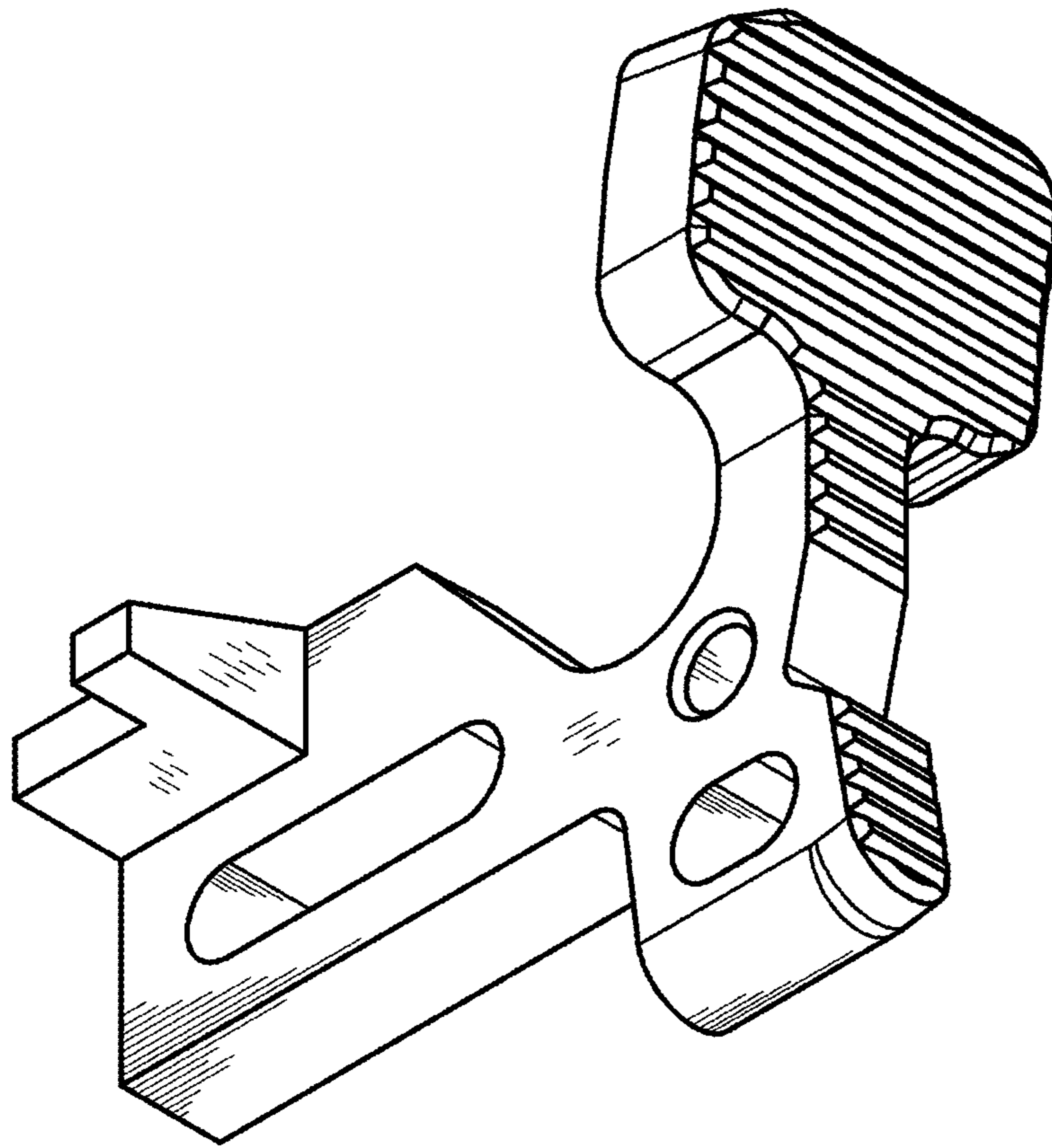


FIG. 2

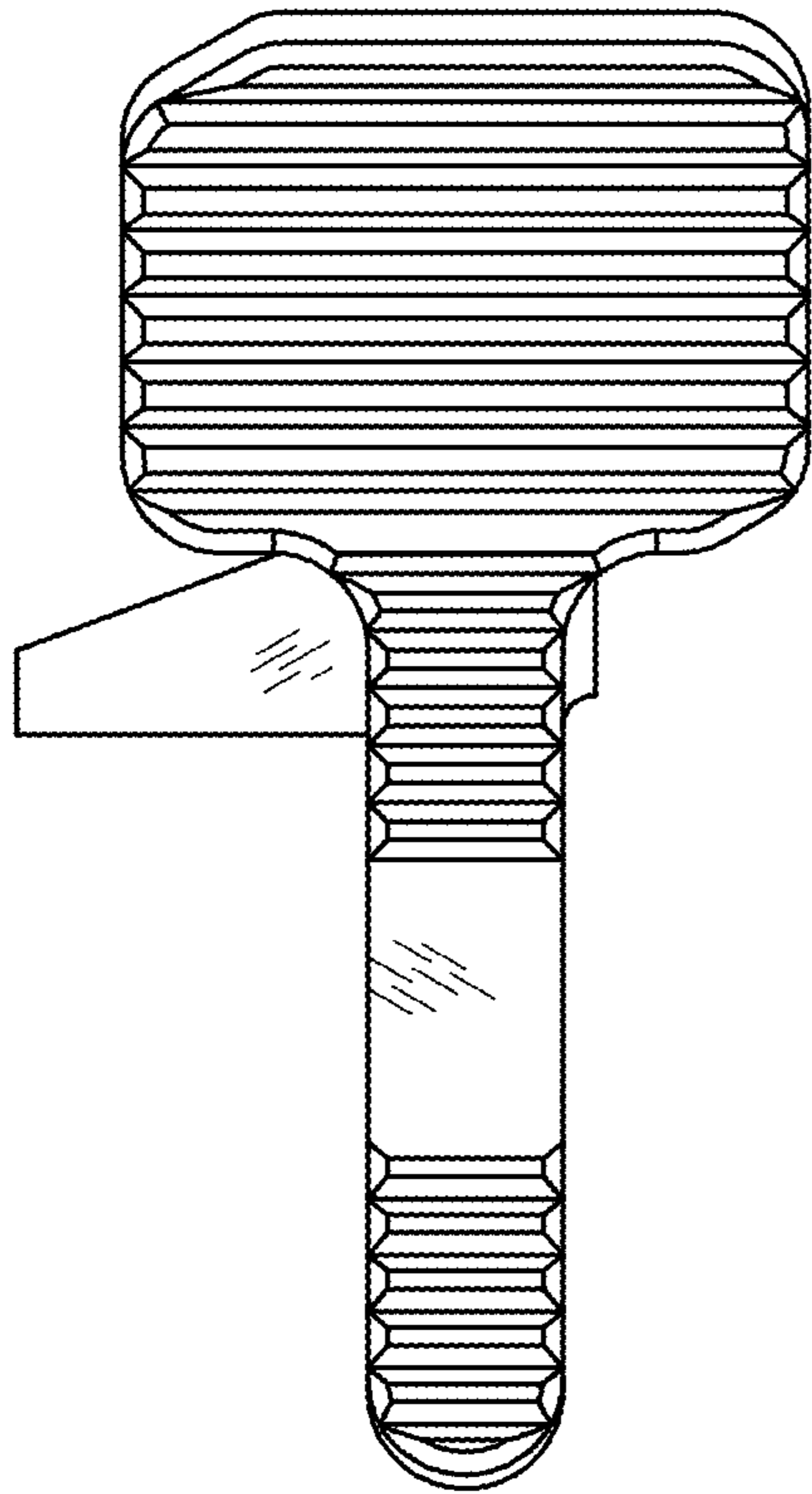


FIG. 3

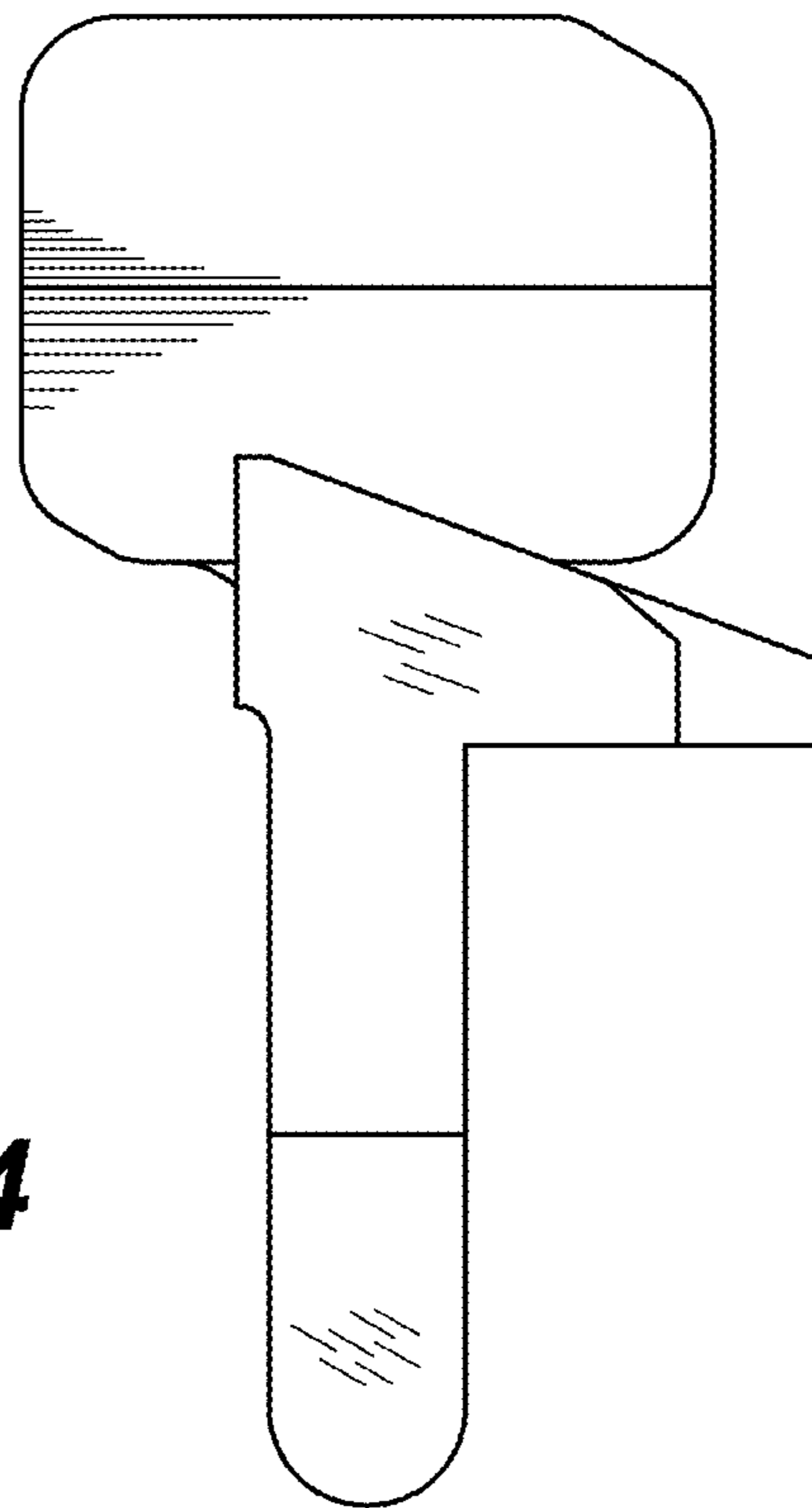


FIG. 4

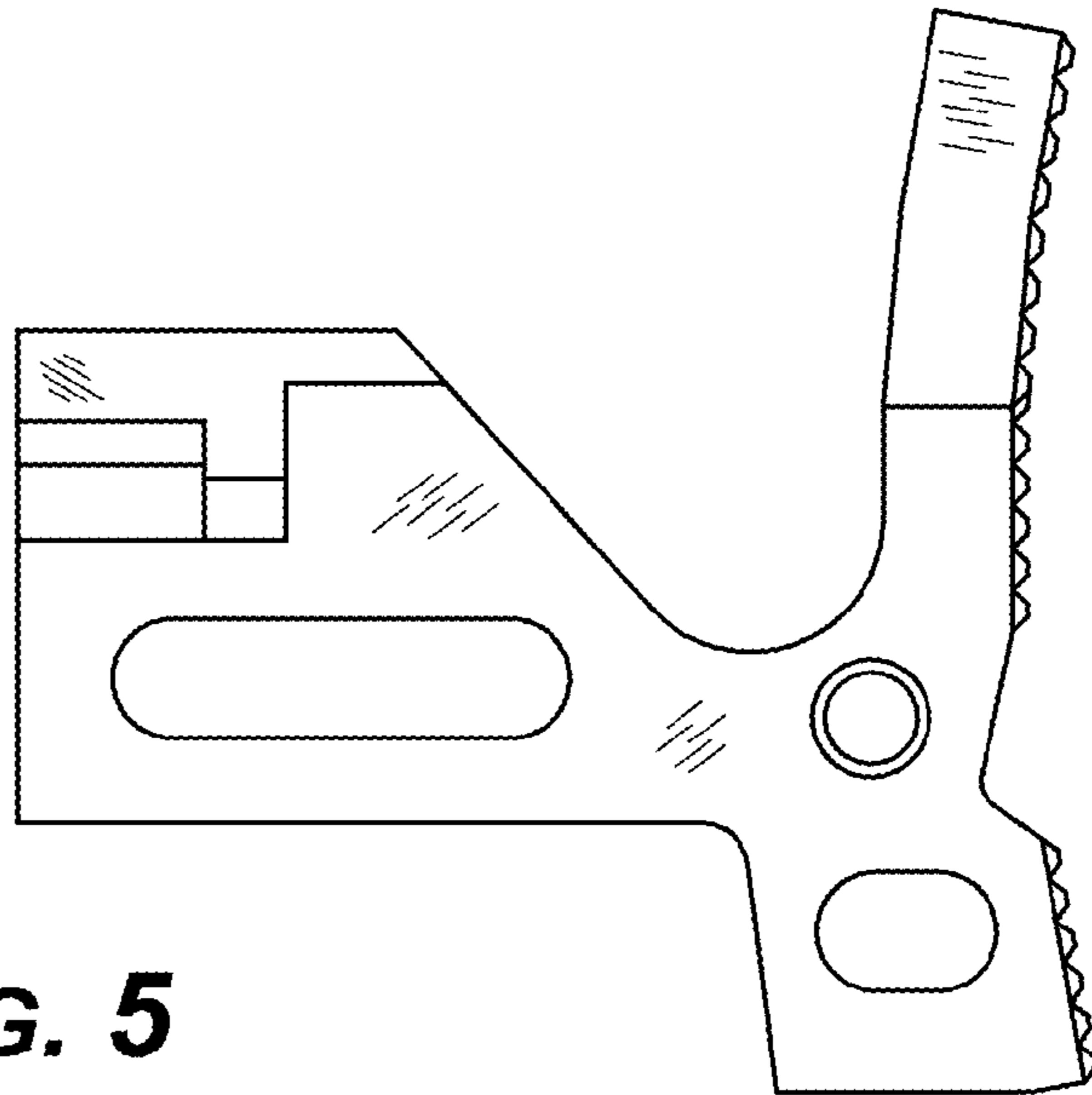


FIG. 5

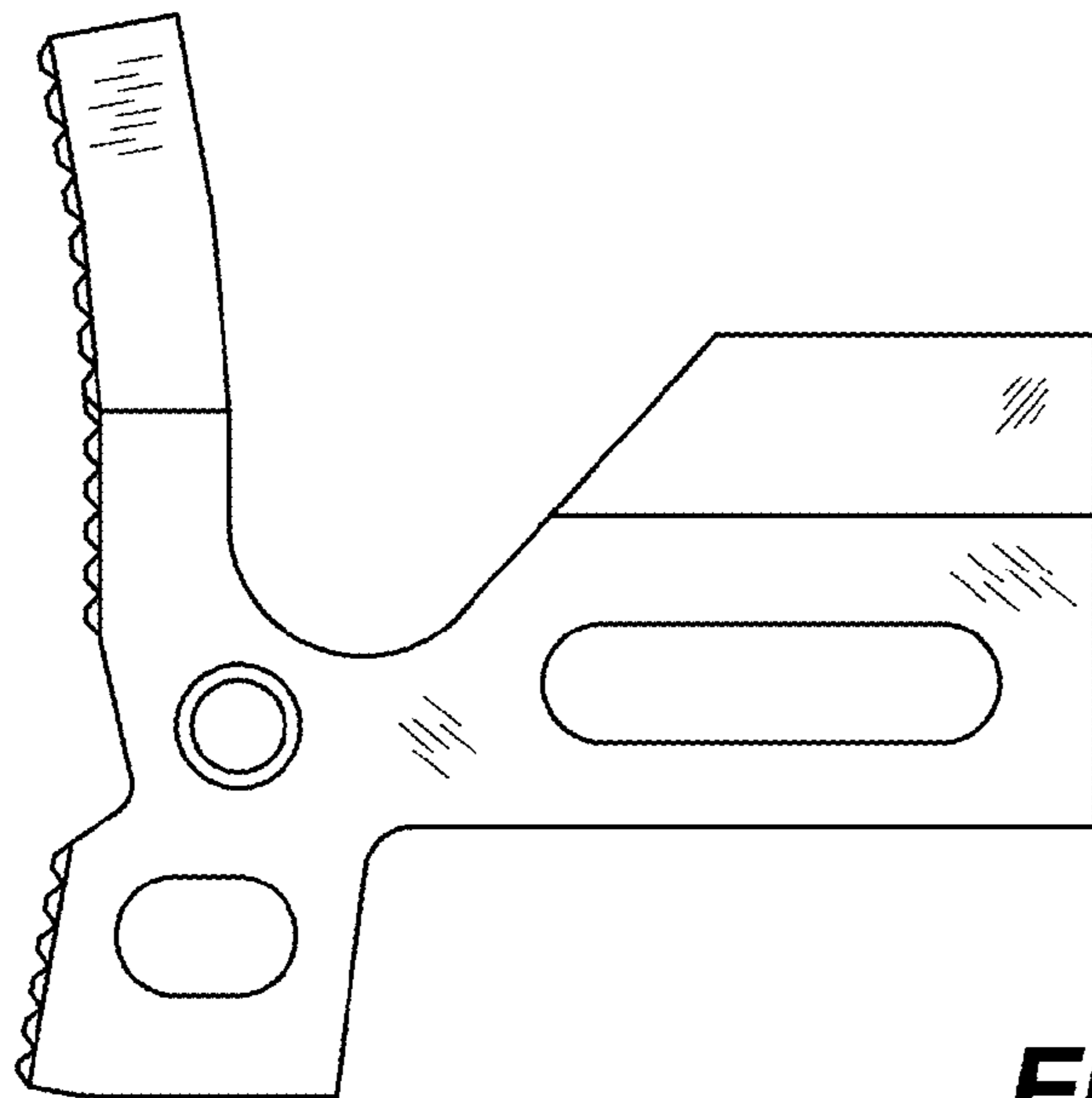


FIG. 6

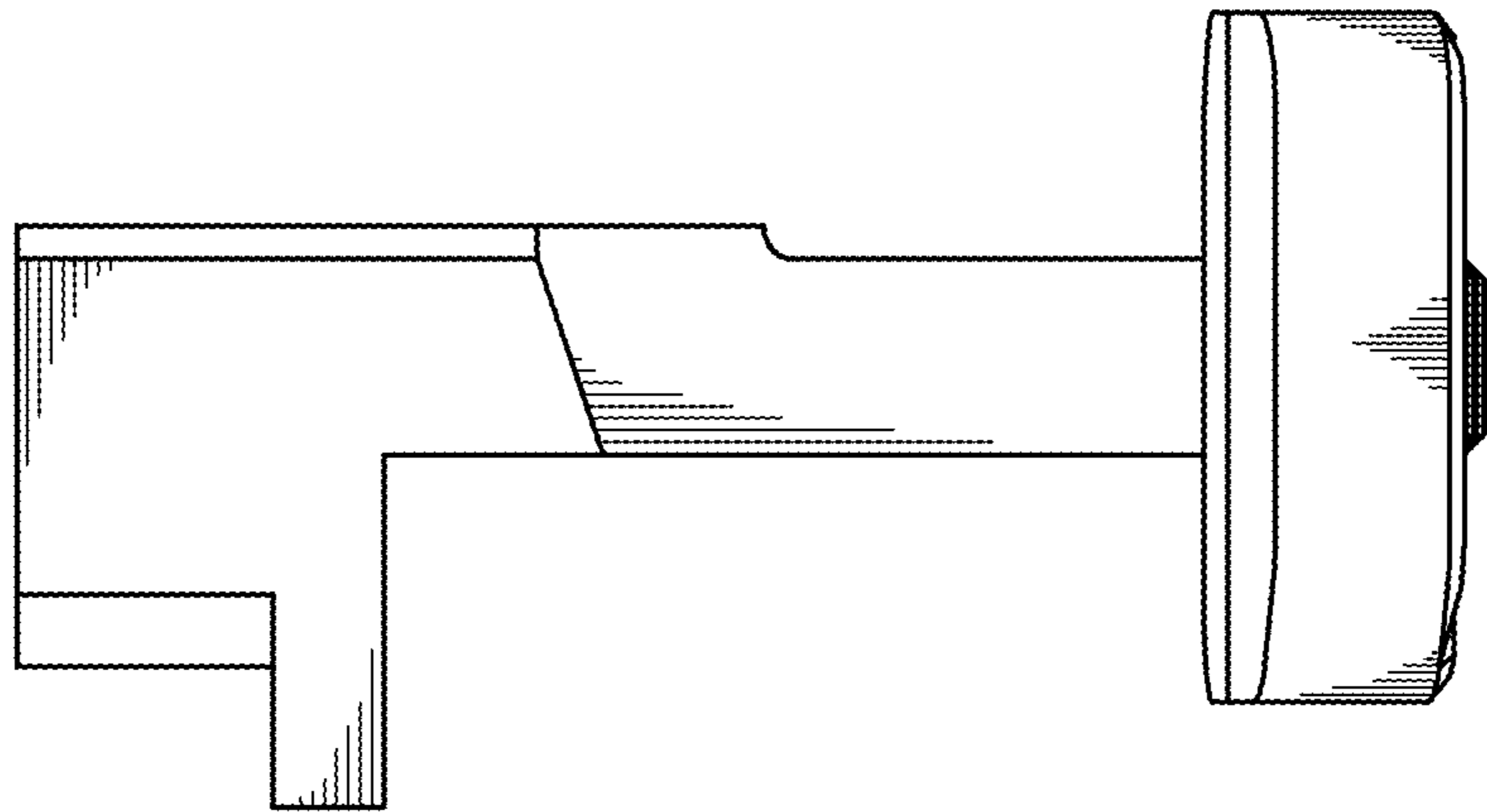


FIG. 7

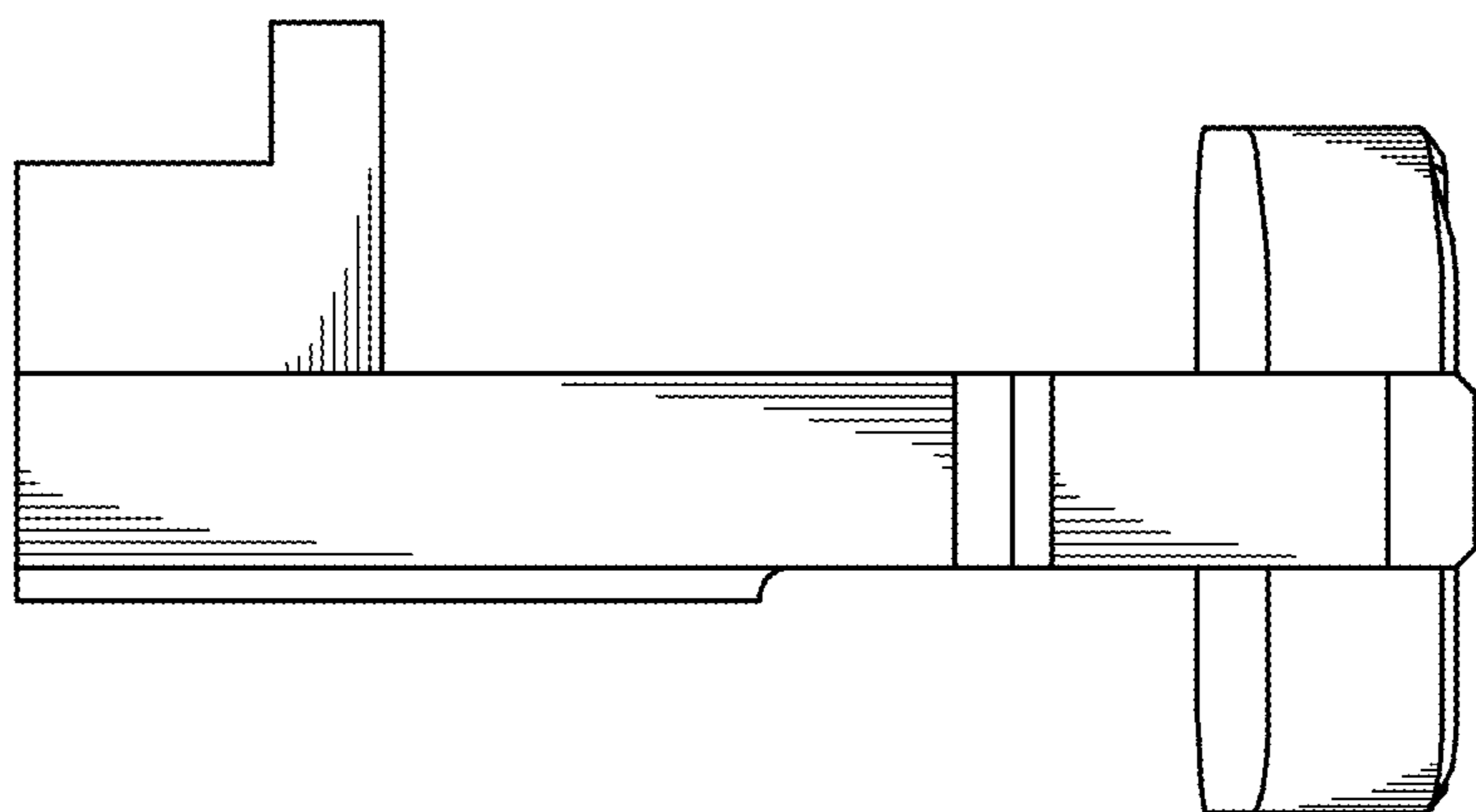


FIG. 8