



US00D760861S

(12) **United States Design Patent**
Geiger

(10) **Patent No.:** **US D760,861 S**
(45) **Date of Patent:** **** Jul. 5, 2016**

(54) **SHOTGUN RIB SIGHT**
(71) Applicant: **Otto Geiger**, Coral Springs, FL (US)
(72) Inventor: **Otto Geiger**, Coral Springs, FL (US)
(**) Term: **14 Years**
(21) Appl. No.: **29/507,244**
(22) Filed: **Oct. 24, 2014**
(51) **LOC (10) Cl.** **22-01**
(52) **U.S. Cl.**
USPC **D22/108**
(58) **Field of Classification Search**
USPC D22/108-109
CPC F41G 11/003; F41G 1/00; F41G 1/16;
F41G 1/345
See application file for complete search history.

3,386,171 A * 6/1968 Luebkehan F41G 1/32
42/144
4,008,536 A * 2/1977 Adams F41G 1/473
42/112
4,192,075 A * 3/1980 Strahan F41G 1/425
42/137
4,244,114 A * 1/1981 Strahan F41G 1/425
42/137
5,394,633 A * 3/1995 Alessandri, Jr. F41G 1/425
42/135
2009/0113780 A1 * 5/2009 Irwin F41G 1/425
42/112
2012/0186126 A1 * 7/2012 Bartak F41G 11/003
42/94

* cited by examiner

Primary Examiner — Michael A Pratt
(74) *Attorney, Agent, or Firm* — Patents on Demand P.A.;
Brian K. Buccheit; Scott M. Garrett

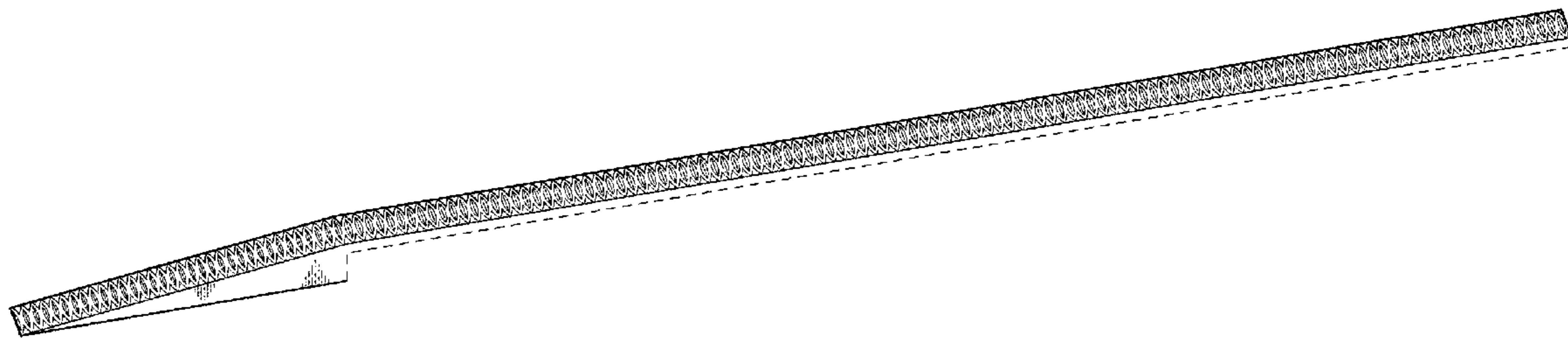
(57) **CLAIM**
The ornamental design for a shotgun rib sight, as shown and described.

(56) **References Cited**
U.S. PATENT DOCUMENTS
2,431,991 A * 12/1947 Crowe F41G 1/425
42/112
2,809,433 A * 10/1957 Martinek F41G 1/425
42/144
3,005,263 A * 10/1961 Lockwood F41G 1/425
33/228
3,107,450 A * 10/1963 Snyder F41G 1/425
42/112
3,260,008 A * 7/1966 Yeomans, Jr. B21D 15/04
42/111
3,325,937 A * 6/1967 Morrow F41G 1/425
42/112

DESCRIPTION

FIG. 1 is an isometric view of a shotgun rib sight;
FIG. 2 is a side elevational view thereof;
FIG. 3 is a bottom plan view thereof;
FIG. 4 is a top plan view thereof; and,
FIG. 5 is a segmented isometric view thereof.
Lines shown in FIGS. 1-5 that form shading indicate the character and contour of surfaces and 3-dimensional aspects of the design. The broken line showing in FIGS. 1, 2, 3, and 5 is included for the purpose of illustrating portions of the claimed design that forms no part of the claimed design.

1 Claim, 3 Drawing Sheets



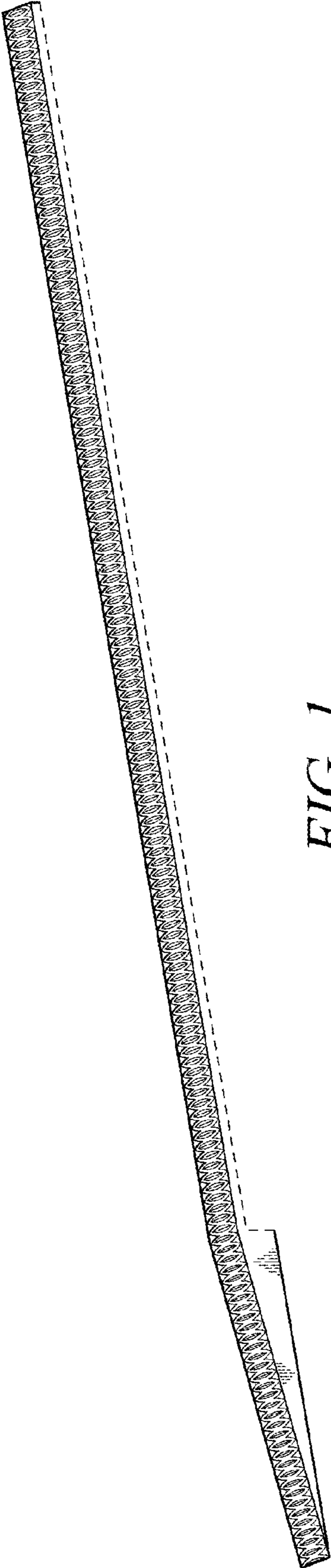


FIG. 1



FIG. 2



FIG. 3



FIG. 4

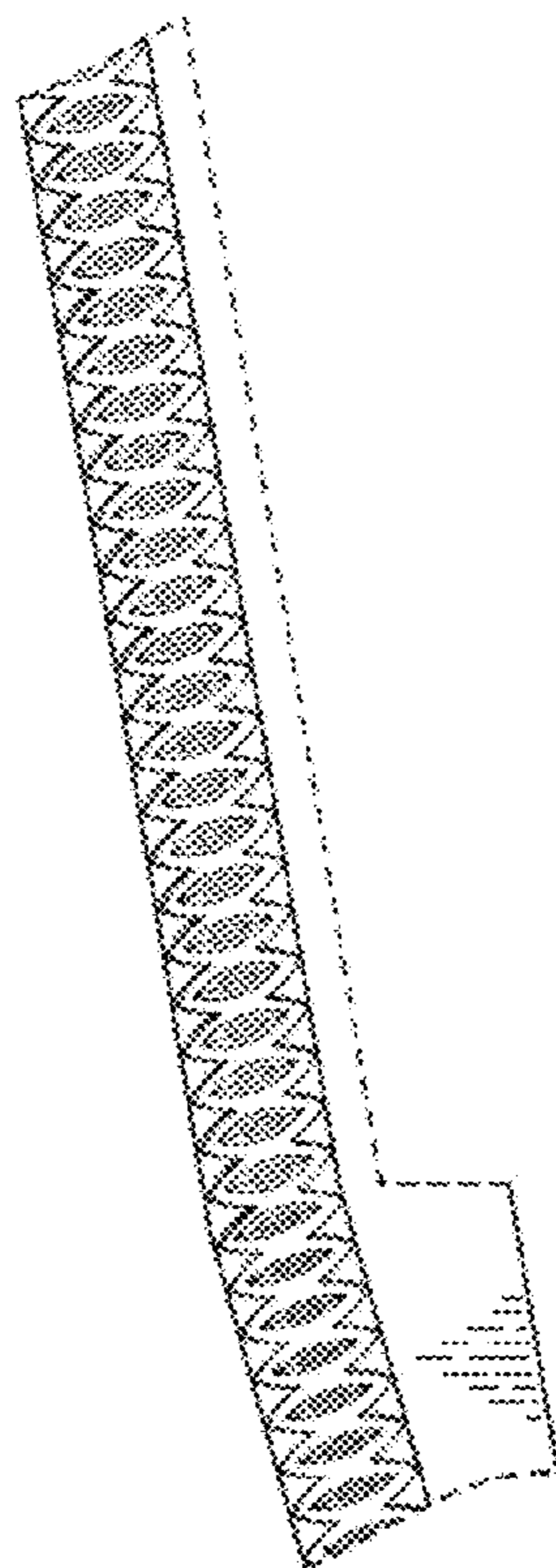


FIG. 5