

US00D760860S

(12) **United States Design Patent**  
**Vincent et al.**

(10) **Patent No.:** **US D760,860 S**  
(45) **Date of Patent:** **\*\* Jul. 5, 2016**

- (54) **RECEIVER FOR A GUN**
- (71) Applicant: **Omega Tool & Mold, LLC**, Tucson, AZ (US)
- (72) Inventors: **Jason Vincent**, Tucson, AZ (US);  
**William T. Vincent**, Tucson, AZ (US)
- (73) Assignee: **Omega Tool & Mold, LLC**, Tucson, AZ (US)

D713,483 S \* 9/2014 Firpo ..... D22/108  
 D717,904 S \* 11/2014 Oglesby ..... D22/108  
 D720,032 S \* 12/2014 Boutin ..... D22/108

(Continued)

*Primary Examiner* — Michael A Pratt  
 (74) *Attorney, Agent, or Firm* — Myers Wolin, LLC

(57) **CLAIM**  
 The ornamental design for a receiver for a gun, as shown and described.

**DESCRIPTION**

FIG. 1 is a front-upper-left isometric view of a receiver for a gun showing our new design comprising an assembly of a first and second component shown for the purposes of illustration; FIG. 2 is a rear-lower-right isometric view thereof; FIG. 3 is a front view thereof; FIG. 4 is a back view thereof; FIG. 5 is a left view thereof; FIG. 6 is a right view thereof; FIG. 7 is a top view thereof; FIG. 8 is a bottom view thereof; FIG. 9 is a front-upper-left isometric view of the first component thereof shown separately for purposes of illustration; FIG. 10 is a rear-lower-right isometric view thereof; FIG. 11 is a front view thereof; FIG. 12 is a back view thereof; FIG. 13 is a left view thereof; FIG. 14 is a right view thereof; FIG. 15 is a top view thereof; FIG. 16 is a bottom view thereof; FIG. 17 is a front-upper-left isometric view of the second component thereof shown separately for purposes of illustration; FIG. 18 is a rear-lower-right isometric view thereof; FIG. 19 is a front view thereof; FIG. 20 is a back view thereof; FIG. 21 is a left view thereof; FIG. 22 is a right view thereof; FIG. 23 is a top view thereof; and, FIG. 24 is a bottom view thereof. The dotted lines are shown for purposes of illustration and form no part of the claimed design.

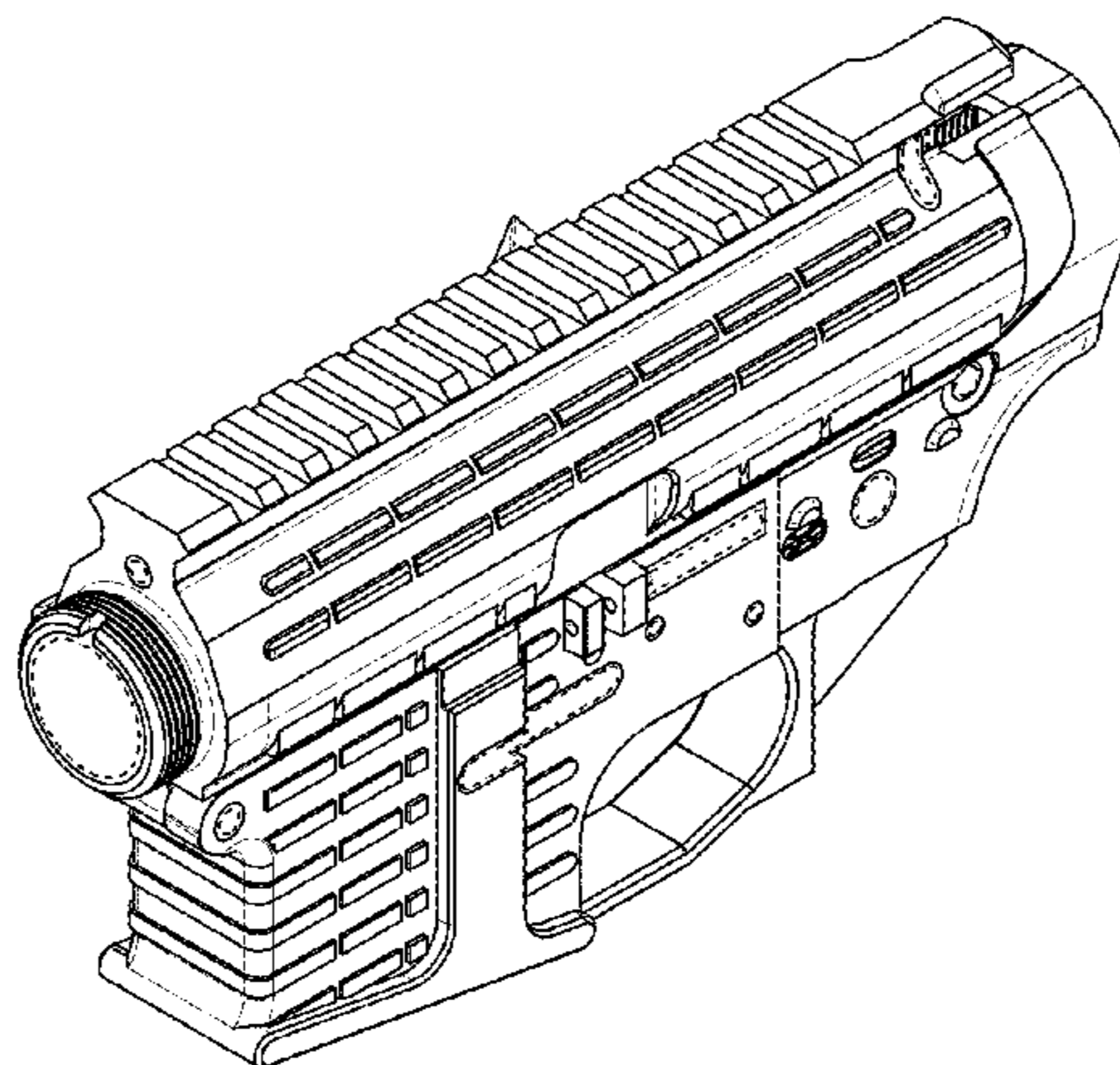
- (\*\*) Term: **14 Years**
- (21) Appl. No.: **29/504,430**
- (22) Filed: **Oct. 6, 2014**
- (51) **LOC (10) Cl.** ..... **22-01**
- (52) **U.S. Cl.**  
USPC ..... **D22/108**
- (58) **Field of Classification Search**  
USPC ..... D22/103, 108; D21/572–575  
CPC ..... F41A 21/28; F41A 5/18; F41A 5/24;  
F41C 23/00; F41C 27/00; F41C 27/06;  
F41C 23/10; F41C 23/14; F41C 23/16;  
F41C 23/18  
See application file for complete search history.

(56) **References Cited**

**U.S. PATENT DOCUMENTS**

- 3,355,833 A \* 12/1967 Ruger ..... F41A 3/10  
42/23
- 4,312,146 A \* 1/1982 Koon, Jr. .... F41C 23/00  
42/75.03
- D285,236 S \* 8/1986 Brunton ..... D22/108
- 4,879,827 A \* 11/1989 Gentry ..... F41A 3/10  
42/23
- 6,604,311 B1 \* 8/2003 Laney ..... F41A 3/06  
42/34
- 7,832,326 B1 \* 11/2010 Barrett ..... F41A 5/18  
42/95
- 8,230,634 B1 \* 7/2012 Davies ..... F41A 3/66  
42/75.02
- 8,316,756 B1 \* 11/2012 Woodell ..... F41A 5/28  
89/193
- 8,464,453 B1 \* 6/2013 Ubl ..... F41A 3/36  
42/15

**1 Claim, 12 Drawing Sheets**



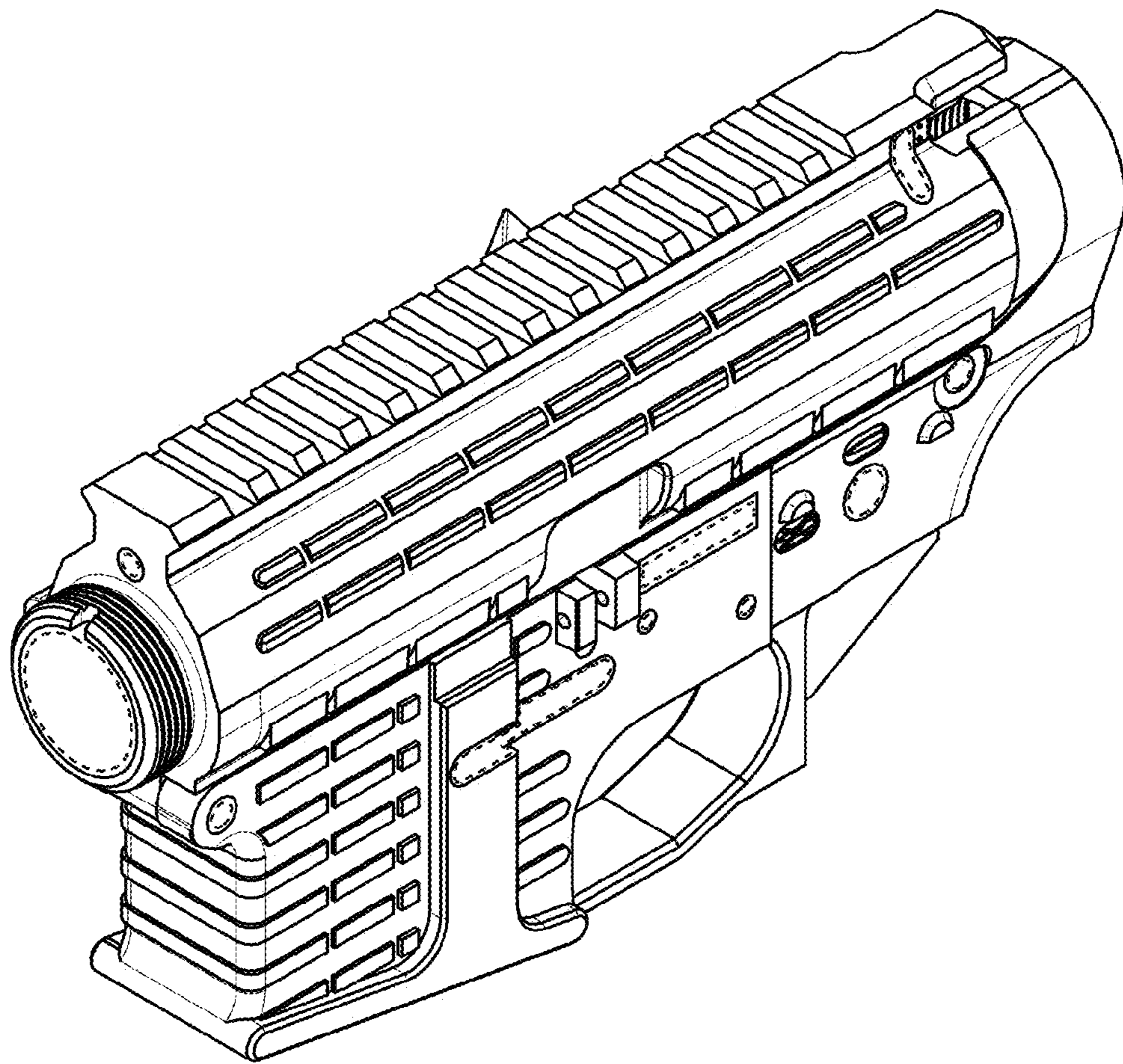
(56)

**References Cited**

U.S. PATENT DOCUMENTS

8,910,406 B1 *	12/2014	Huang	.....	F41A 3/66	42/16	2013/0174457 A1 *	7/2013	Gangl	.....	F41A 3/72	42/16
2011/0185614 A1 *	8/2011	Laney	.....	F41C 7/11	42/51	2013/0219763 A1 *	8/2013	Nunes	.....	F41A 15/16	42/16
2011/0214327 A1 *	9/2011	Desomma	.....	F41A 3/66	42/75.02	2014/0000142 A1 *	1/2014	Patel	.....	F41C 23/16	42/14
2012/0023800 A1 *	2/2012	Laney	.....	F41A 3/58	42/8	2014/0224114 A1 *	8/2014	Faxon	.....	F41A 15/14	89/193
2012/0111183 A1 *	5/2012	Hochstrate	.....	F41A 5/18	89/193	2014/0331535 A1 *	11/2014	Robinson	.....	F41A 3/66	42/6
2012/0137562 A1 *	6/2012	Langevin	.....	F41C 23/04	42/75.03	2014/0352191 A1 *	12/2014	Fritz	.....	F41A 3/66	42/75.03
2012/0167424 A1 *	7/2012	Gomez	.....	F41A 35/06	42/14	2015/0000171 A1 *	1/2015	Roberts	.....	F41A 3/66	42/75.03
						2015/0101230 A1 *	4/2015	Curtis	.....	F41A 3/66	42/75.01

\* cited by examiner



*FIG. 1*

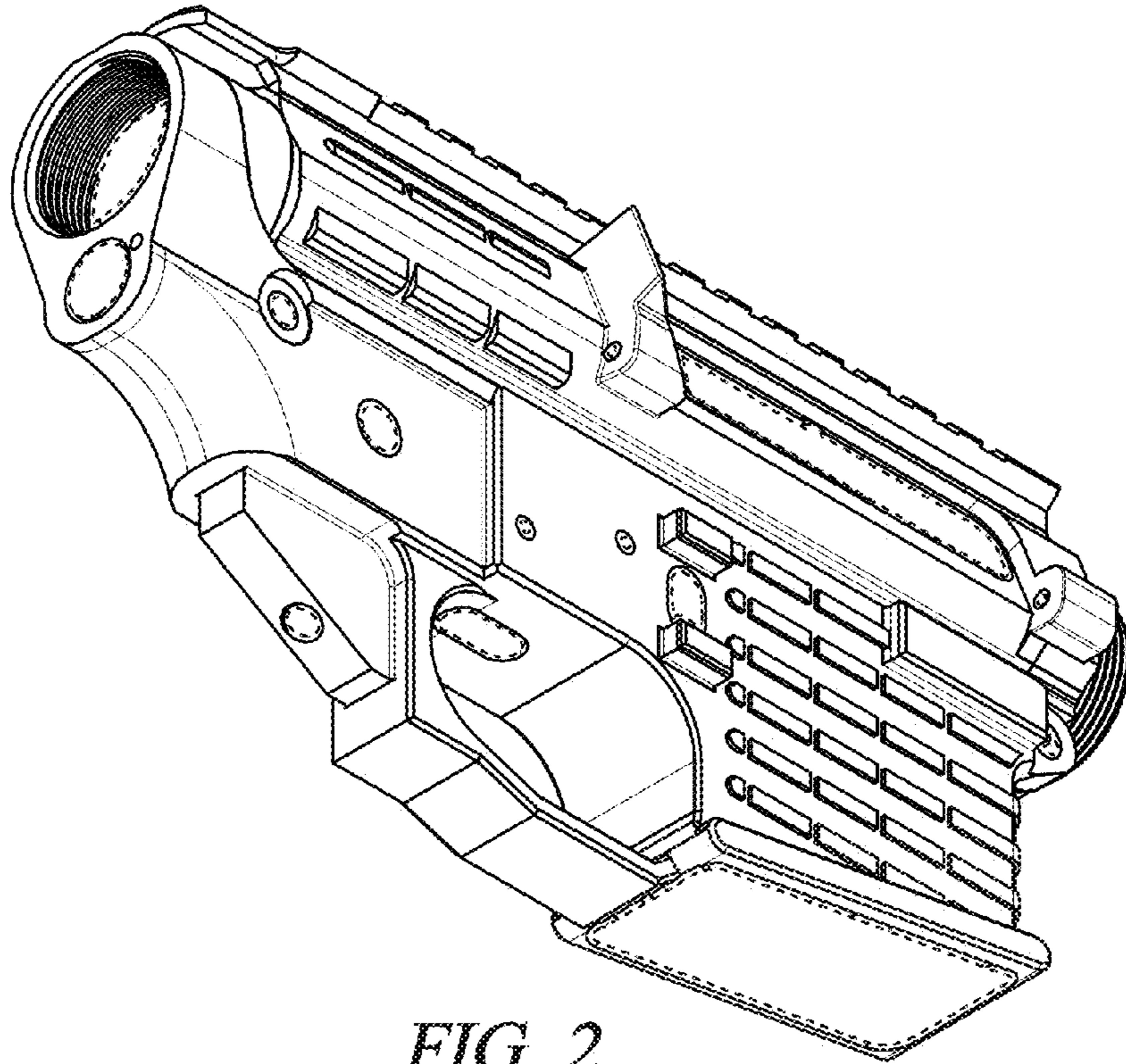


FIG. 2

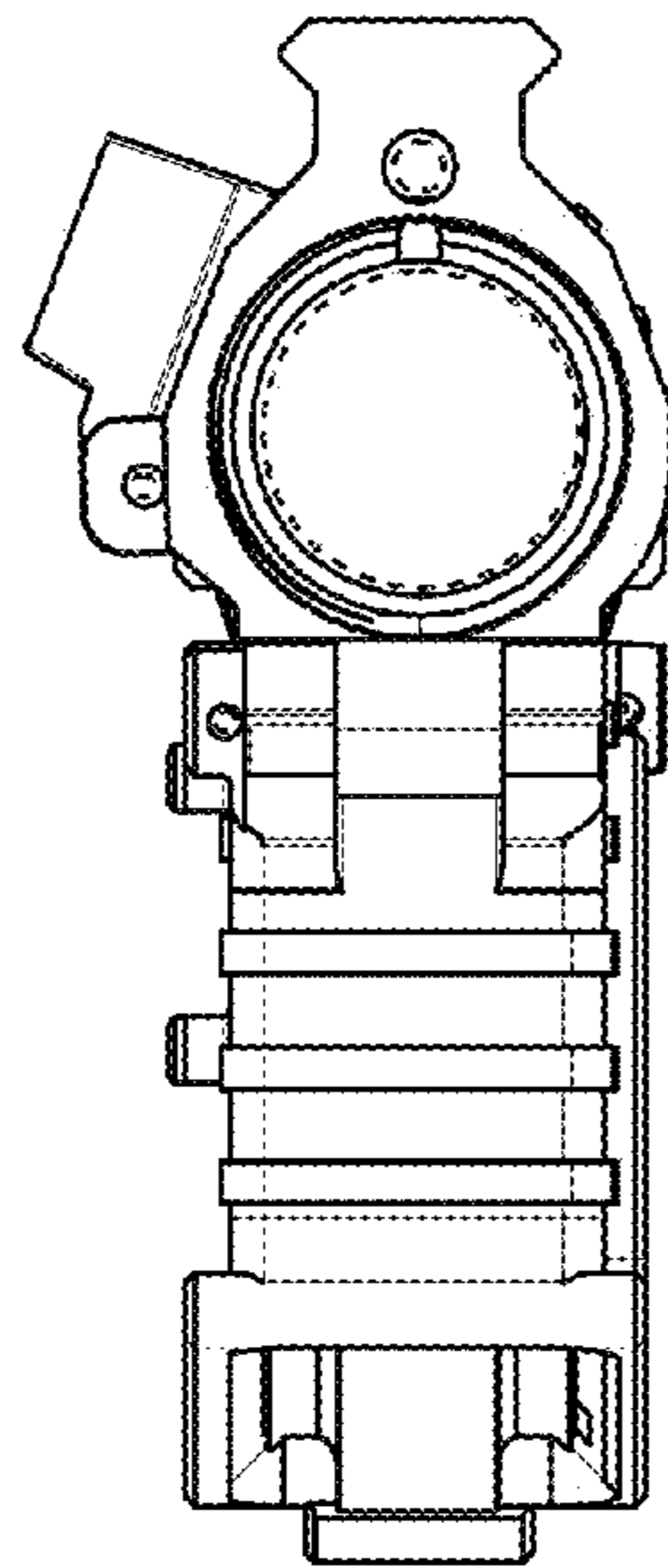


FIG. 3

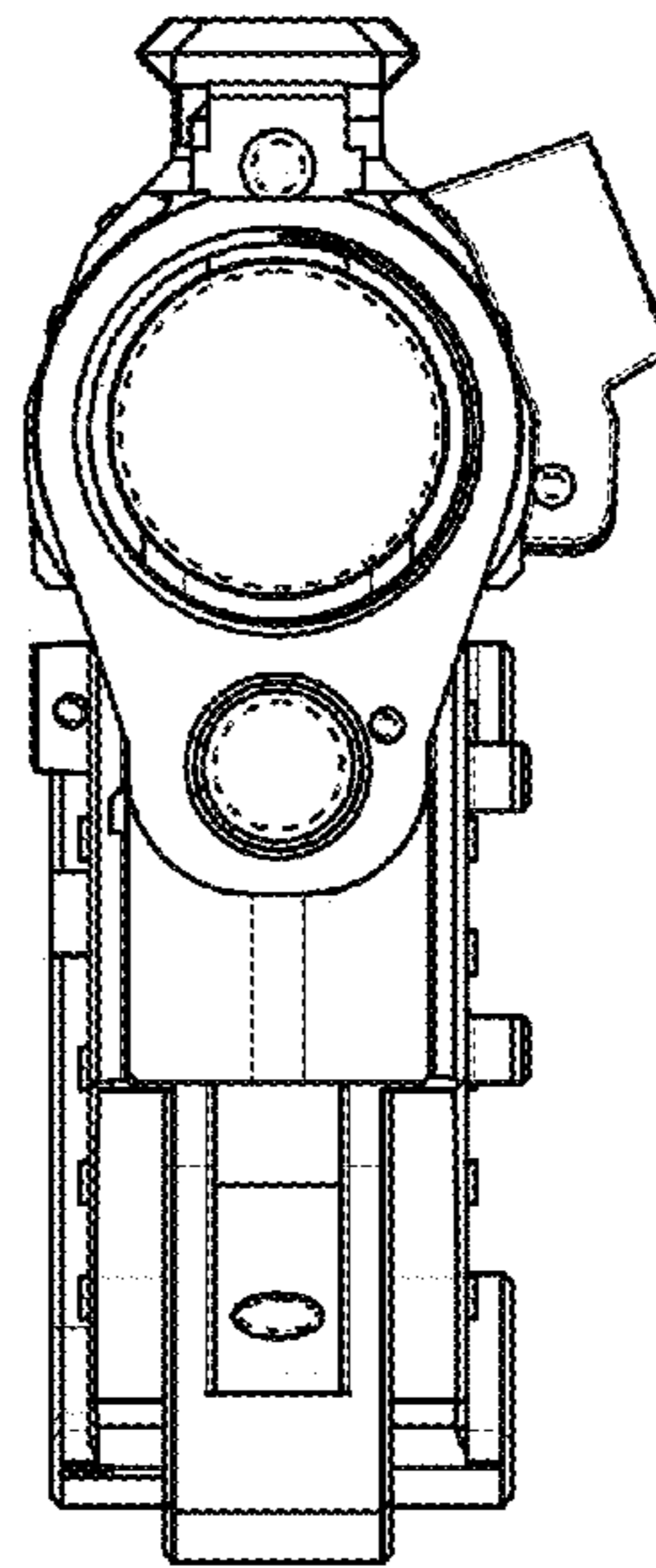
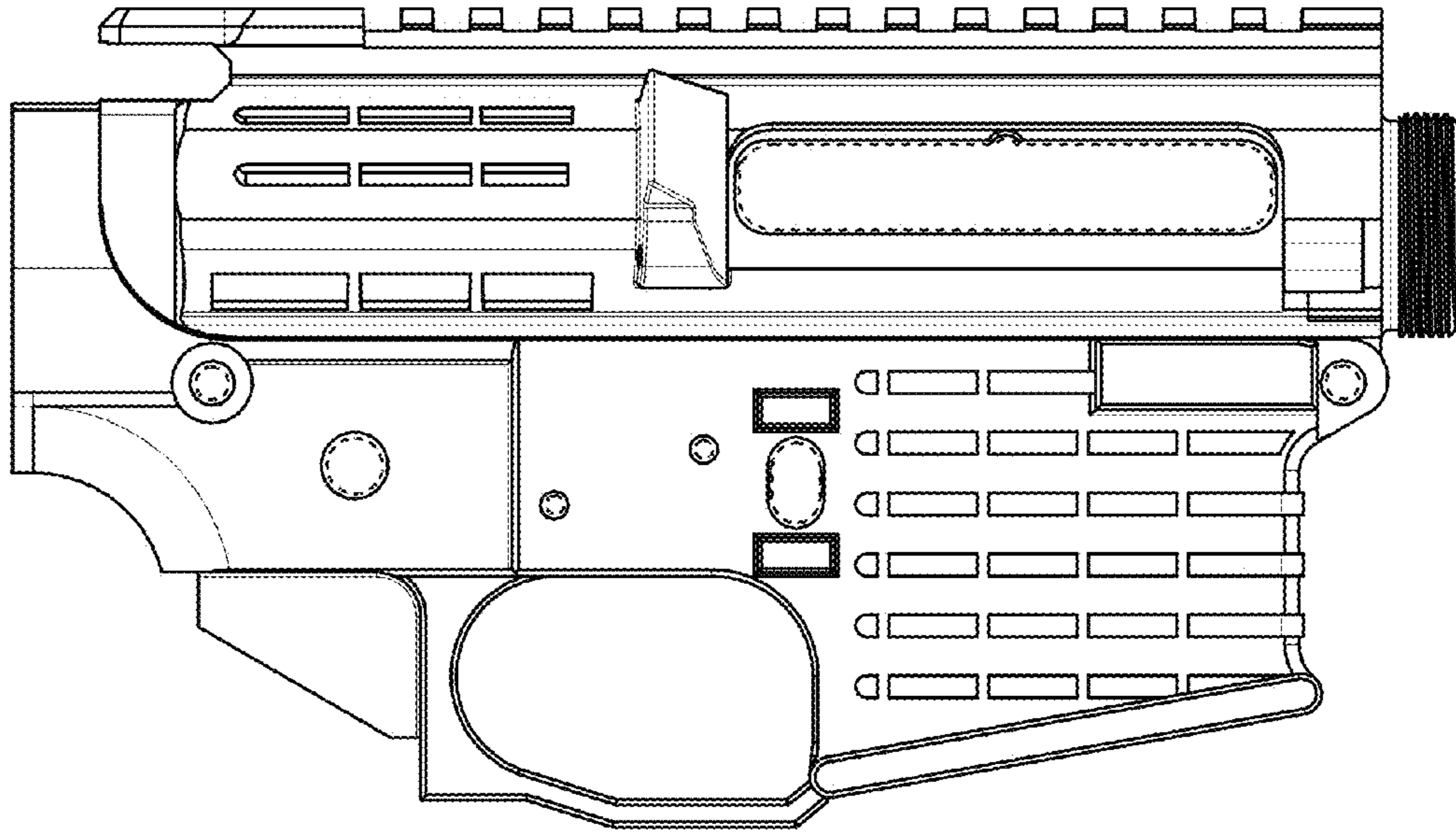
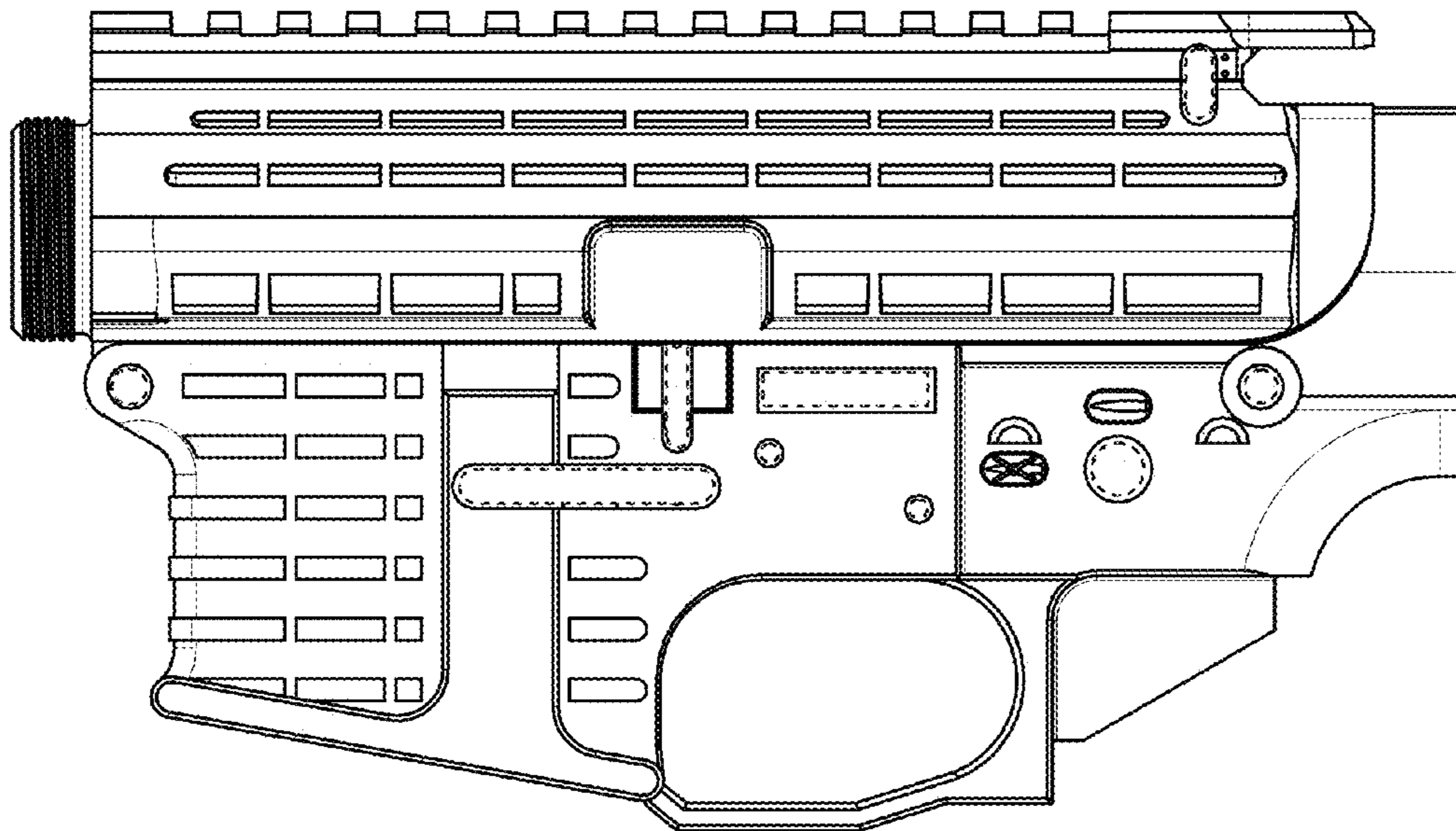


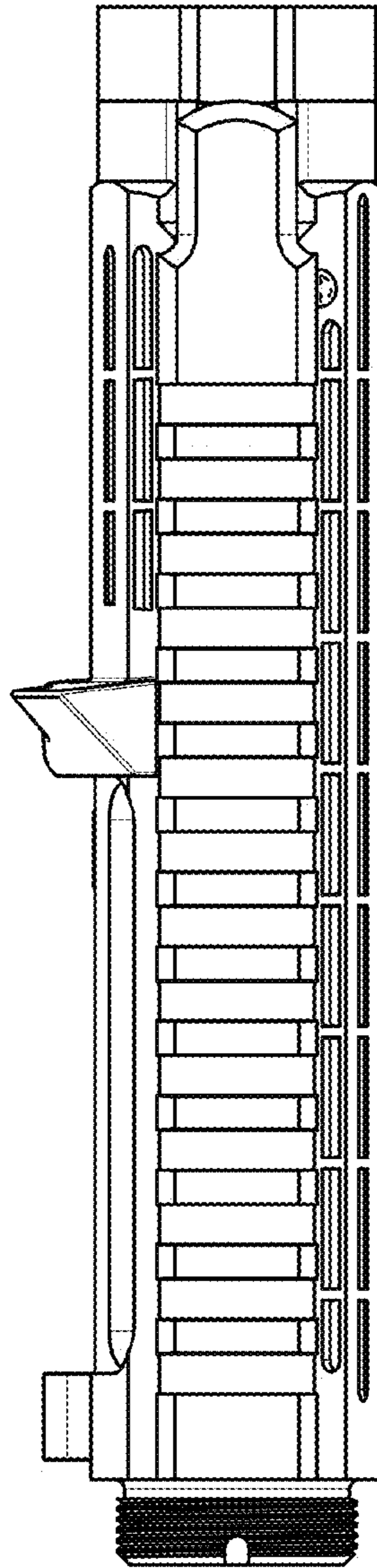
FIG. 4



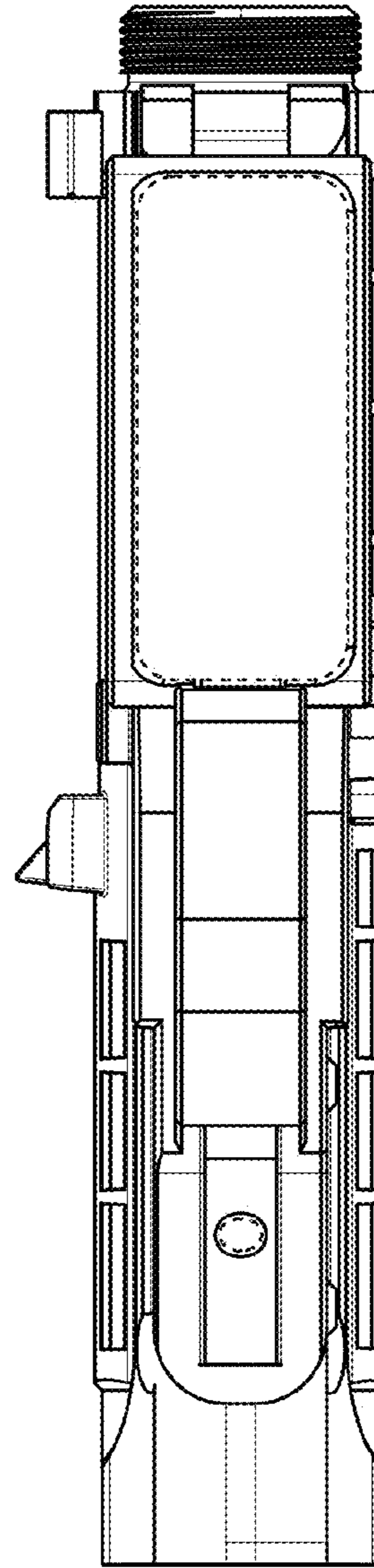
*FIG. 5*



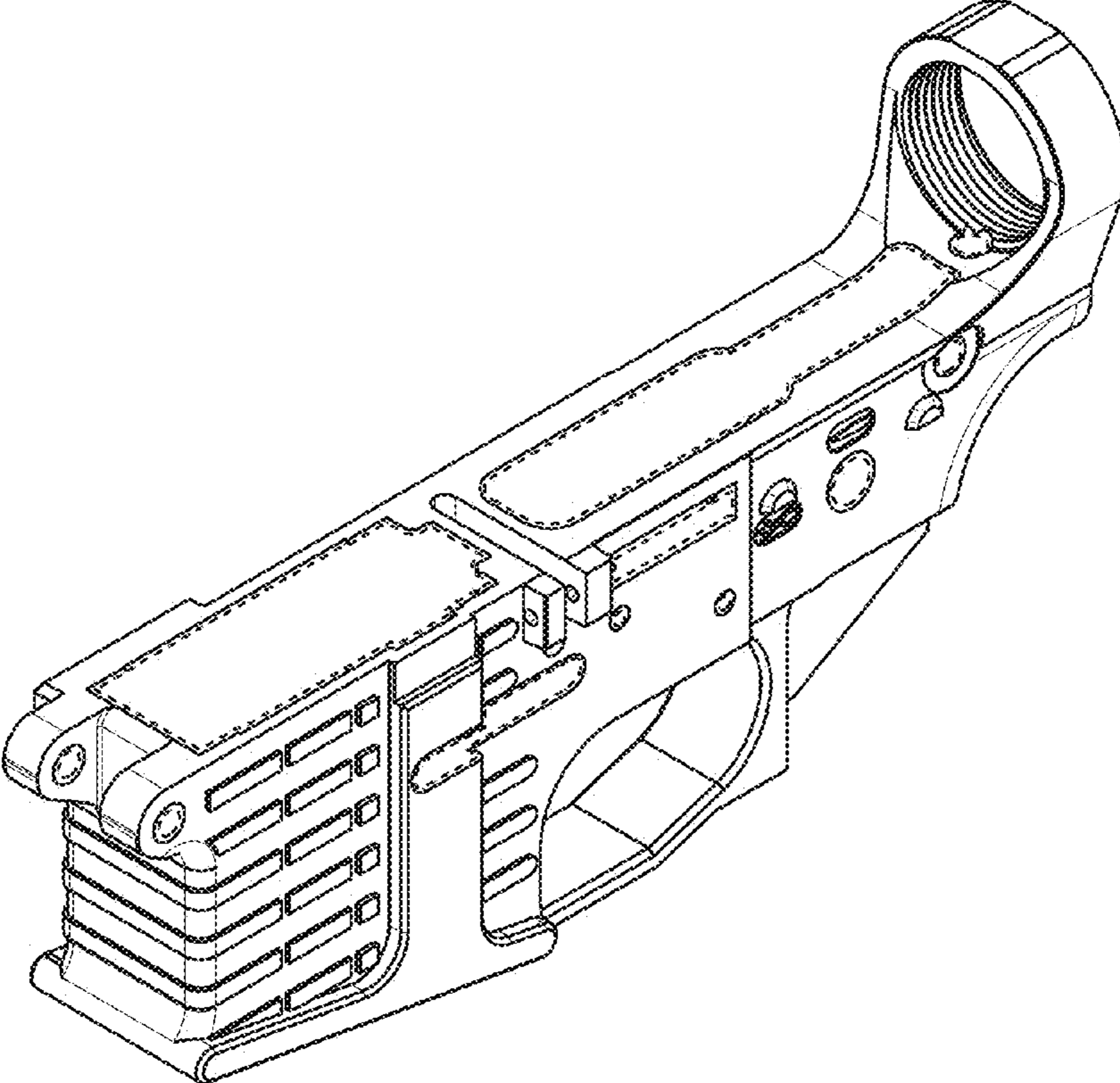
*FIG. 6*



*FIG. 7*



*FIG. 8*



*FIG. 9*

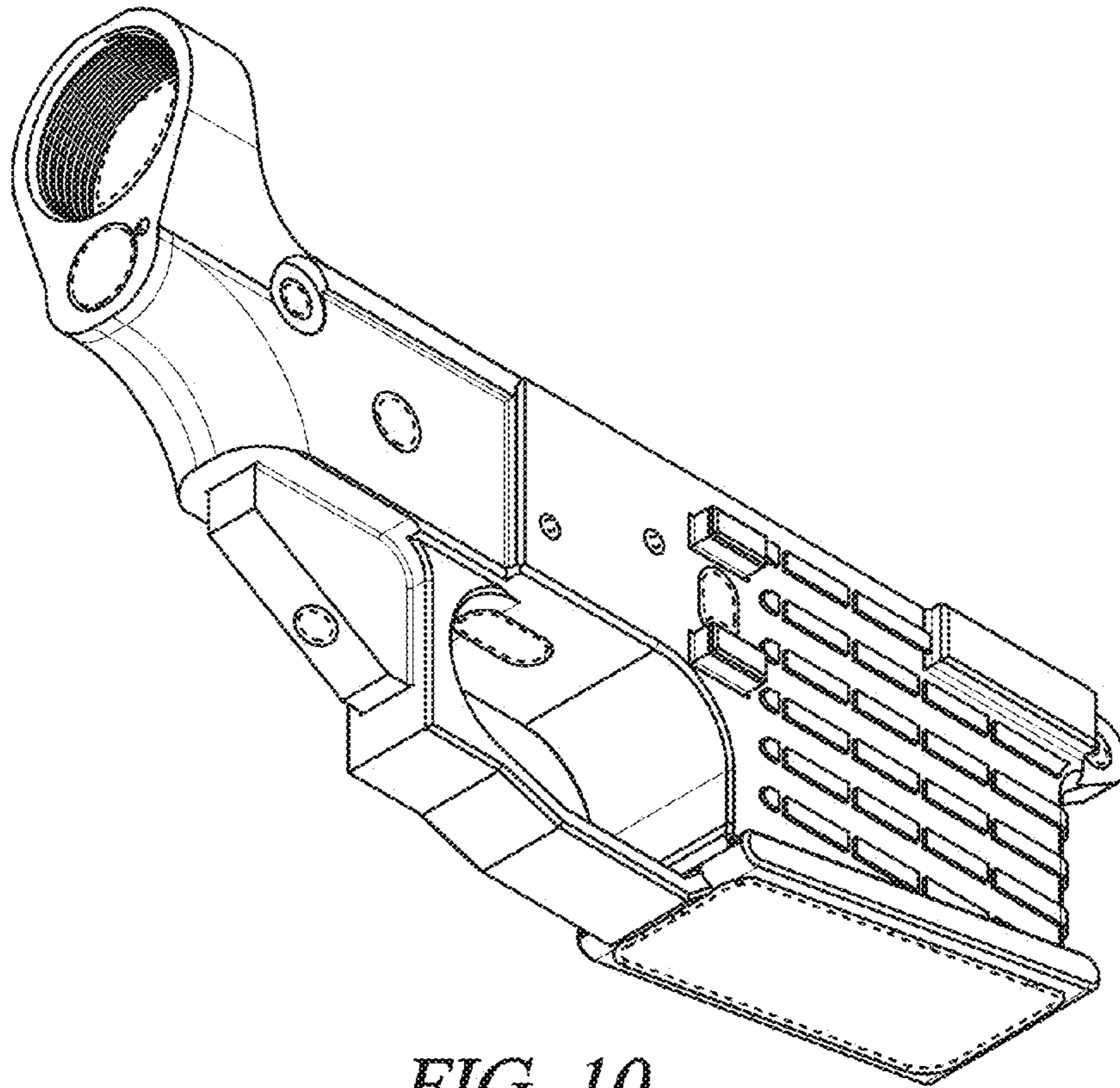


FIG. 10

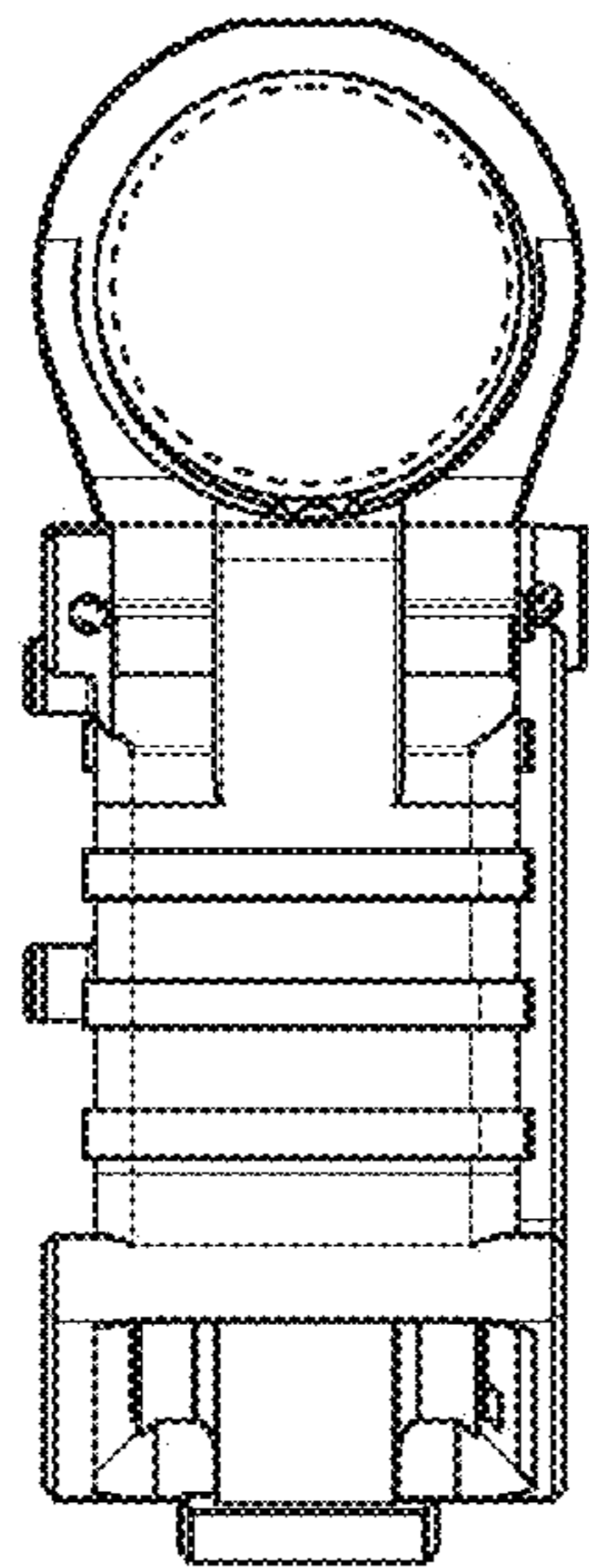


FIG. 11

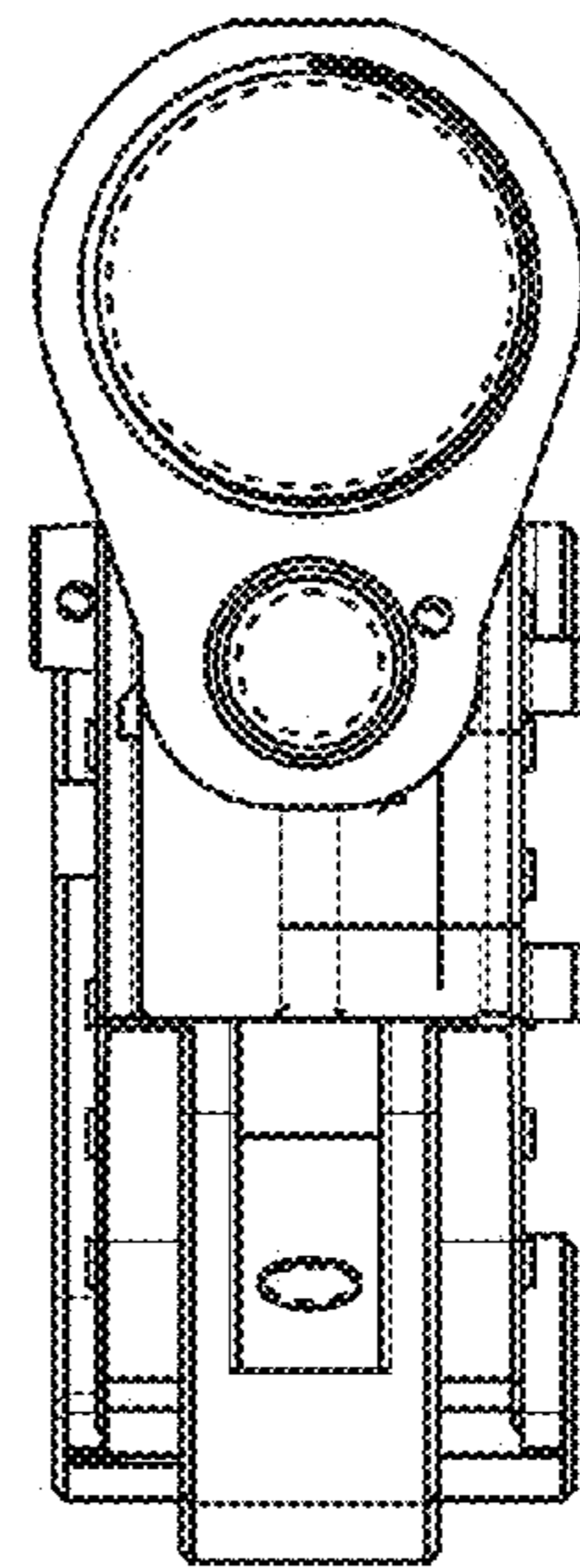
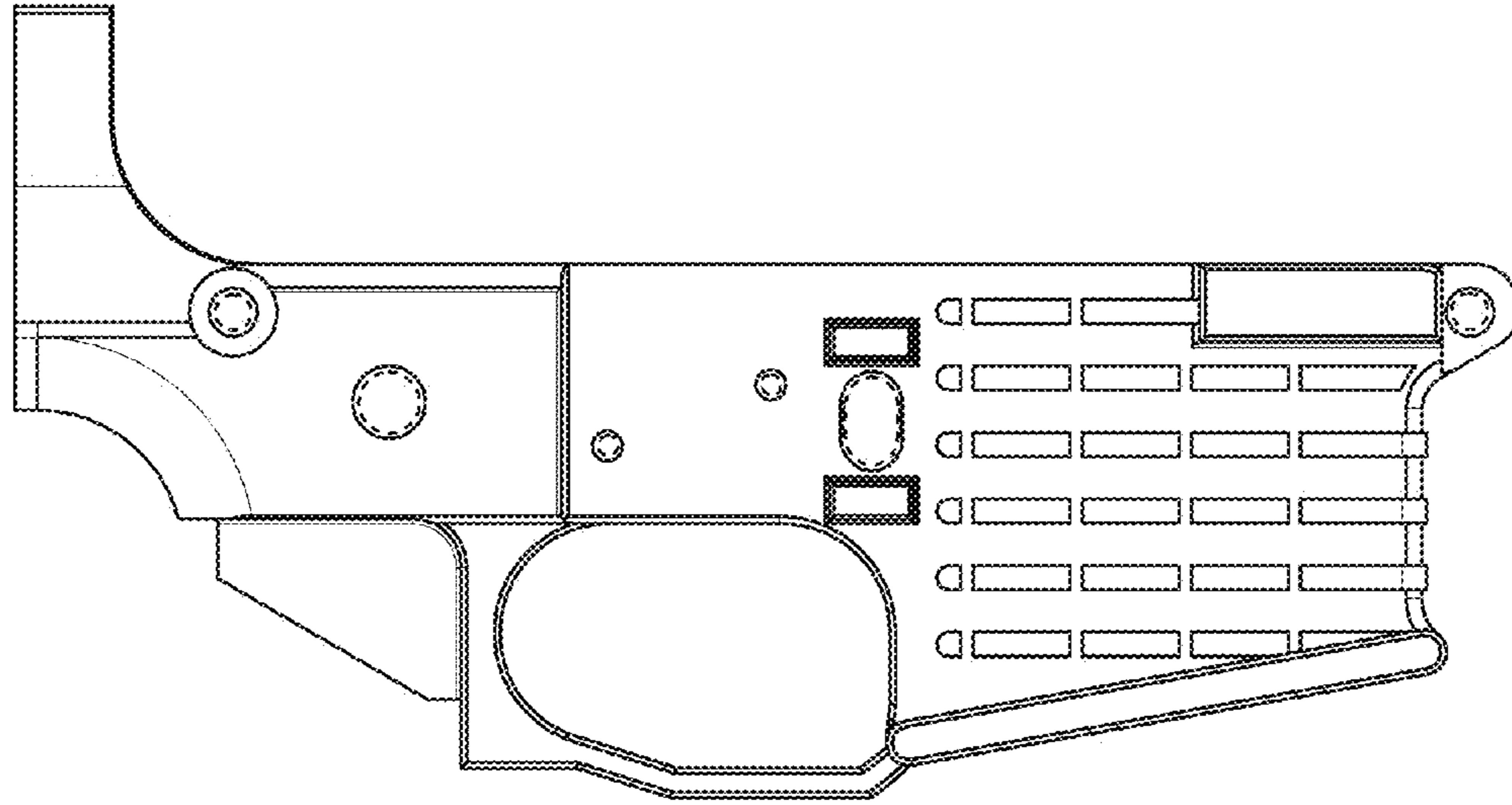
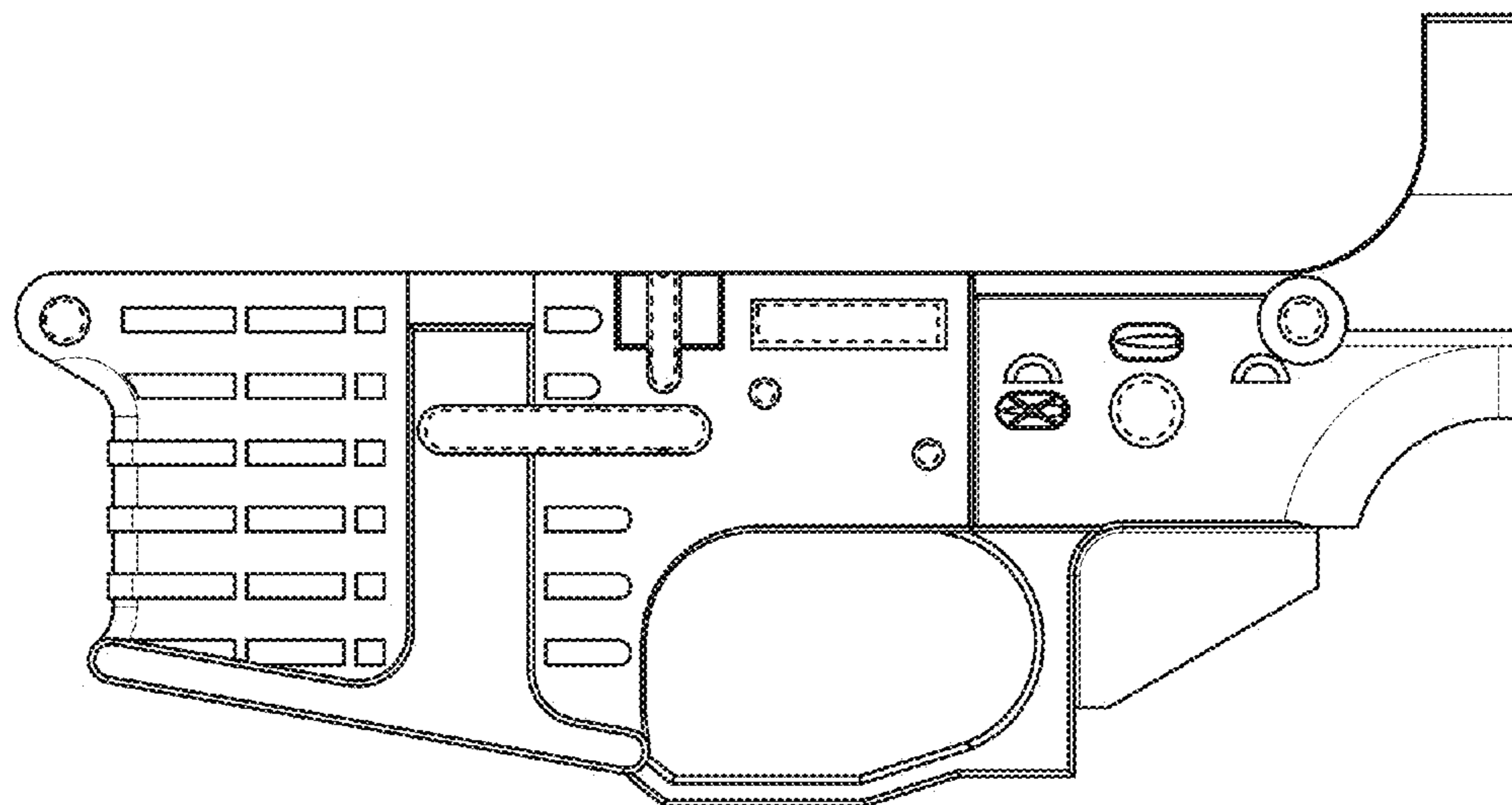


FIG. 12

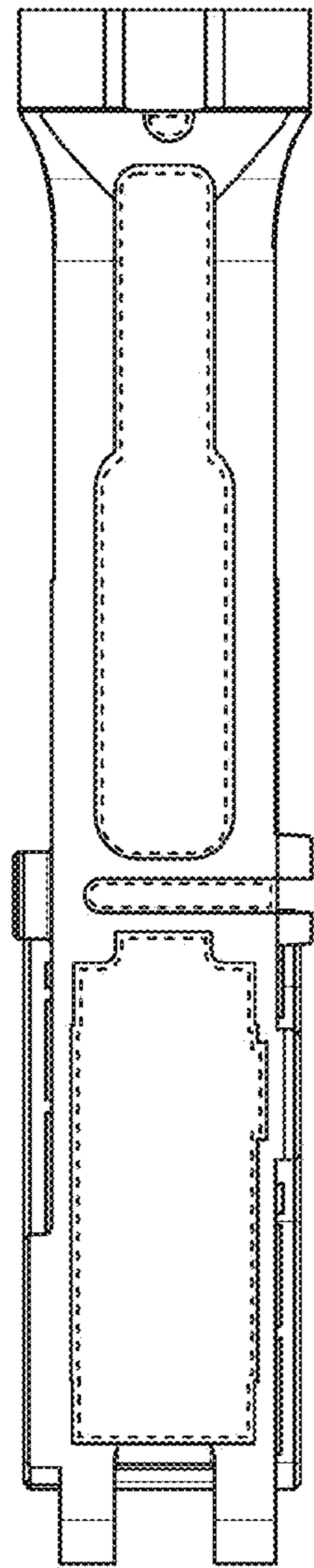




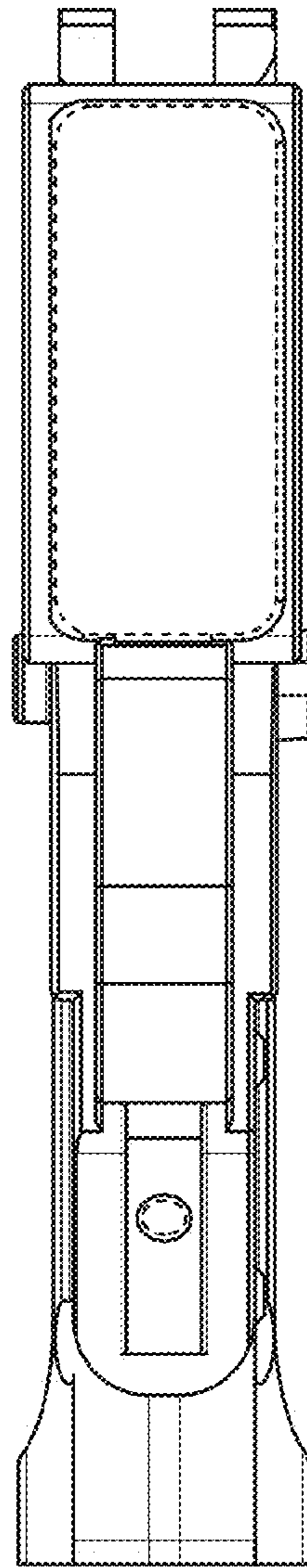
*FIG. 13*



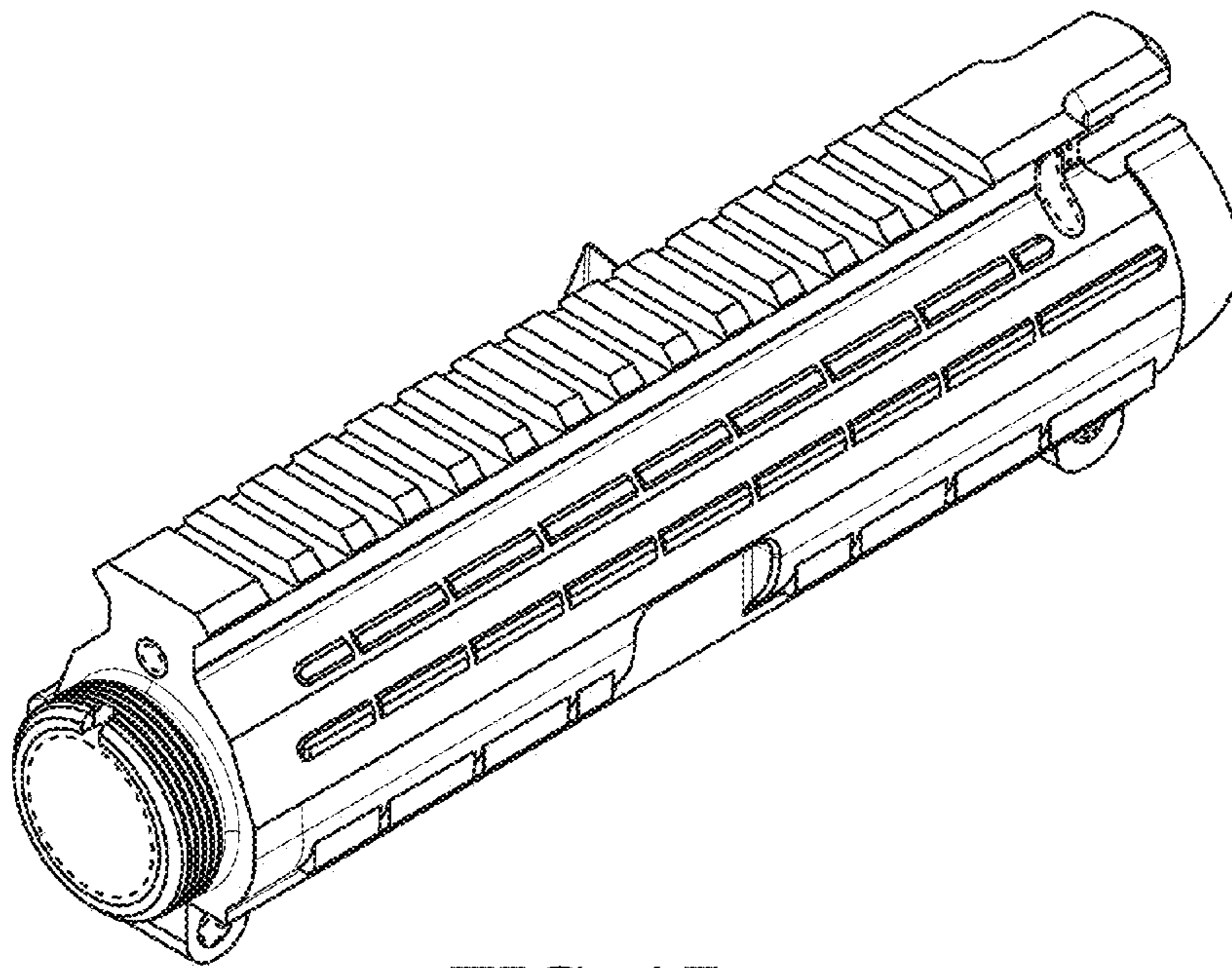
*FIG. 14*



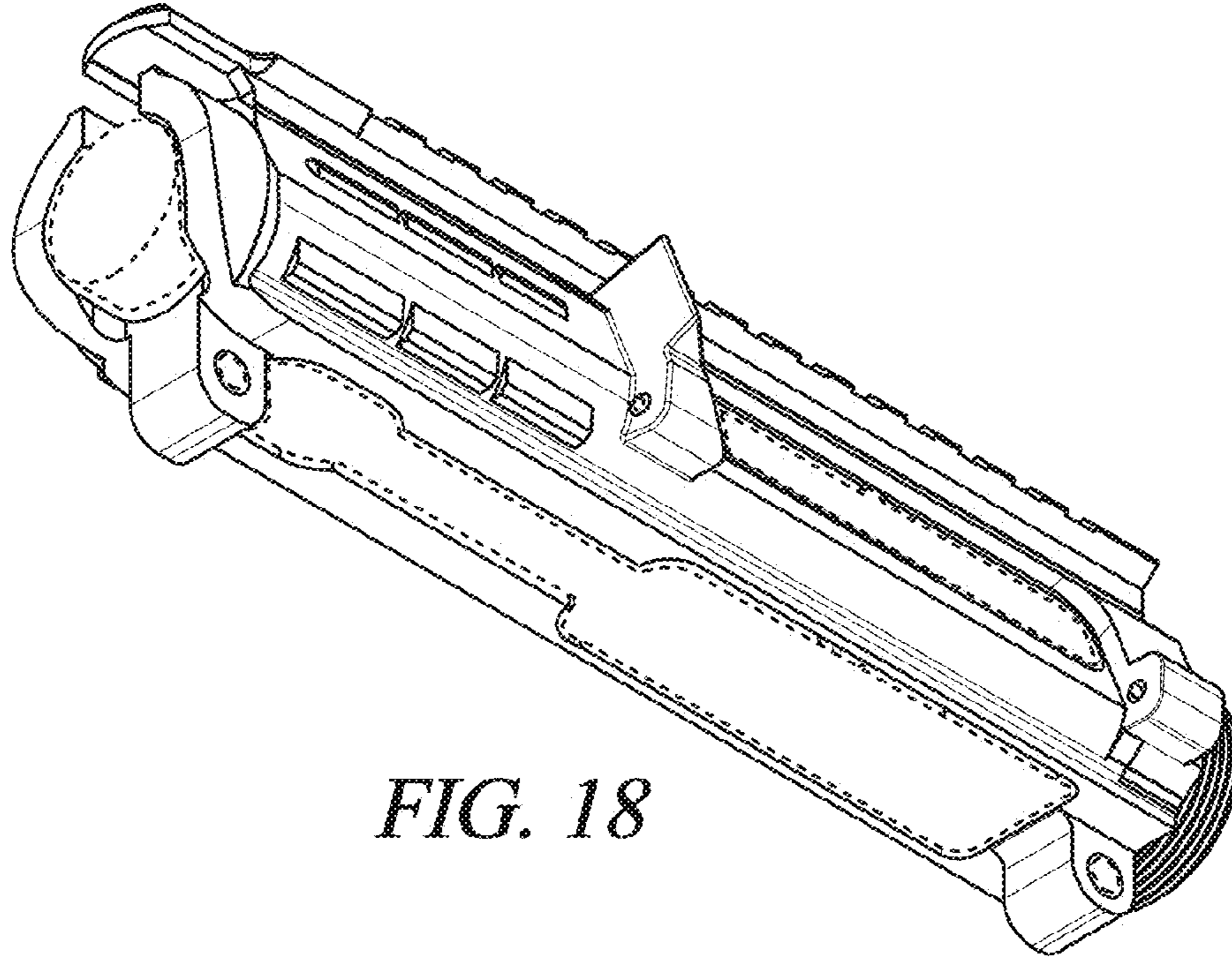
*FIG. 15*



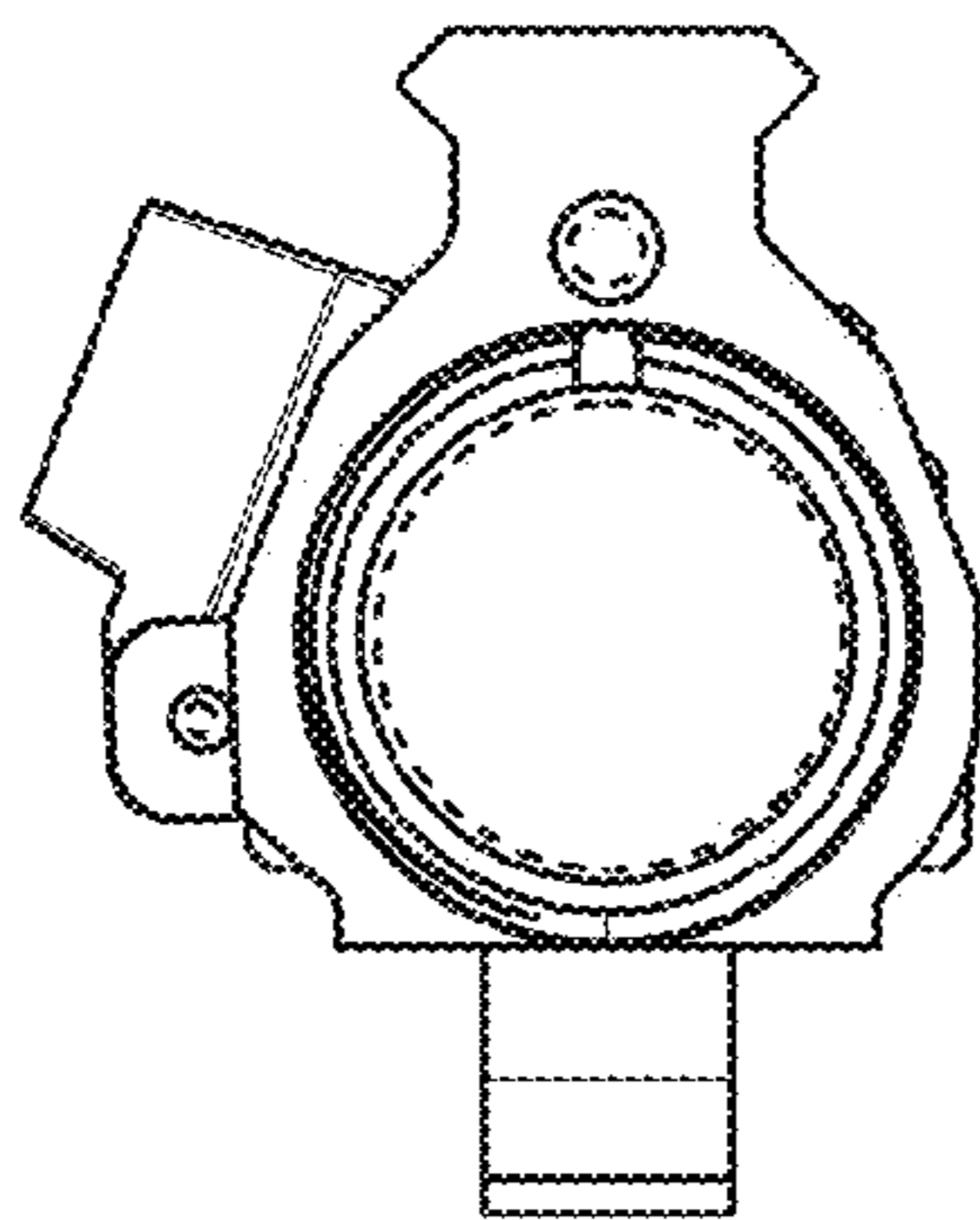
*FIG. 16*



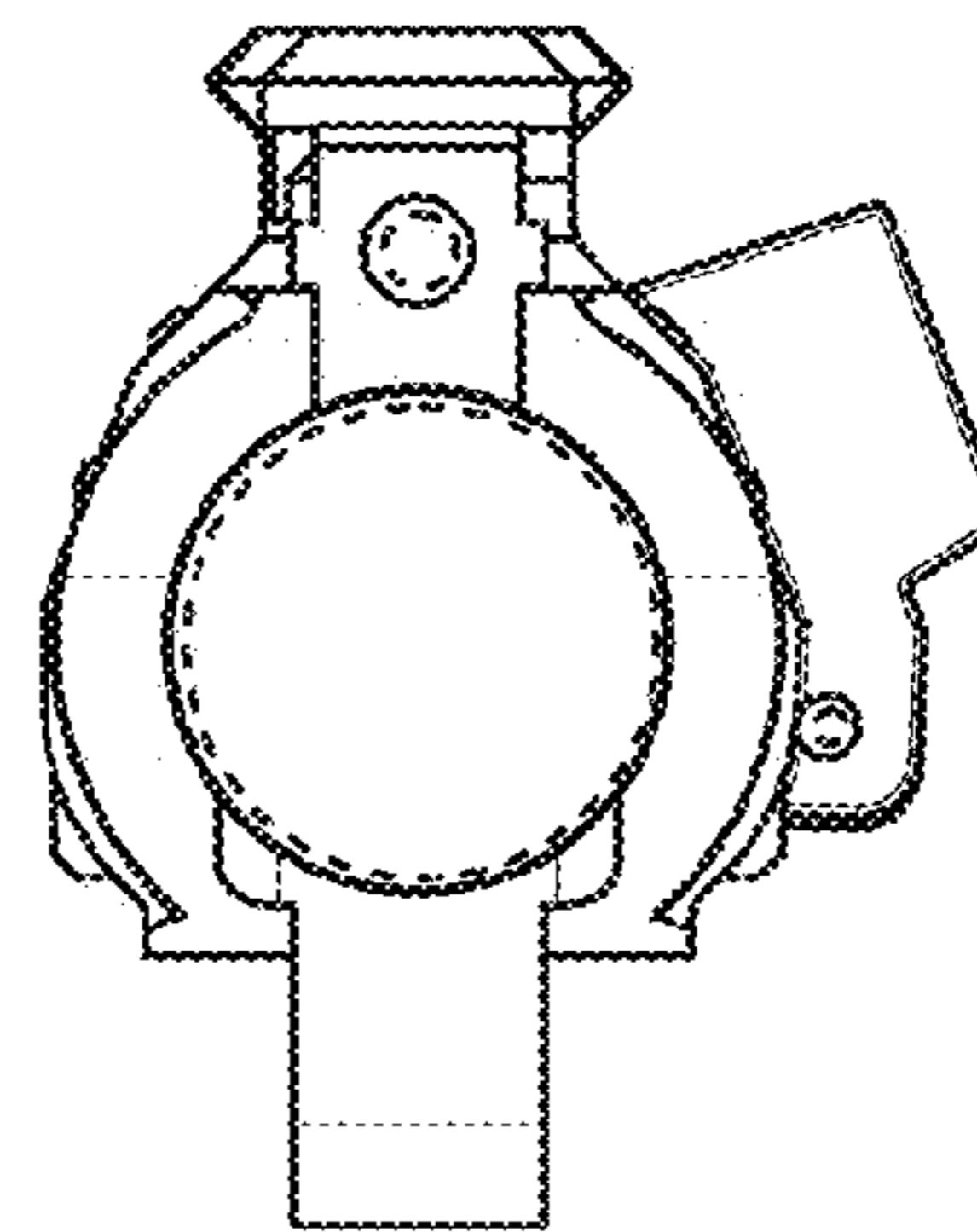
*FIG. 17*



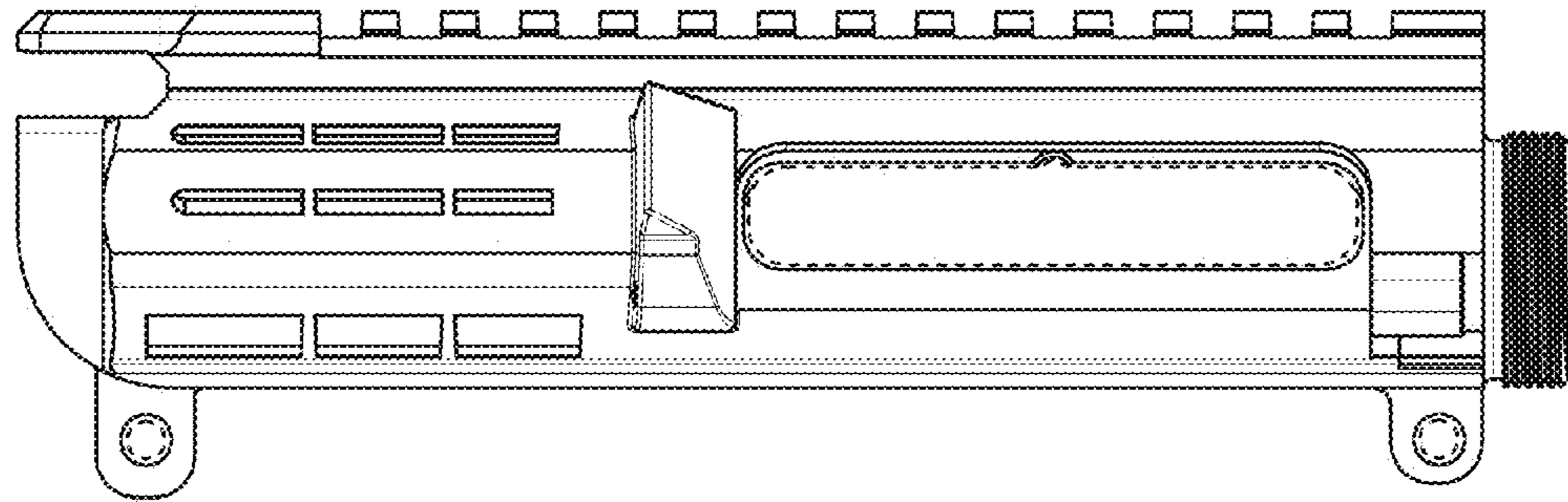
*FIG. 18*



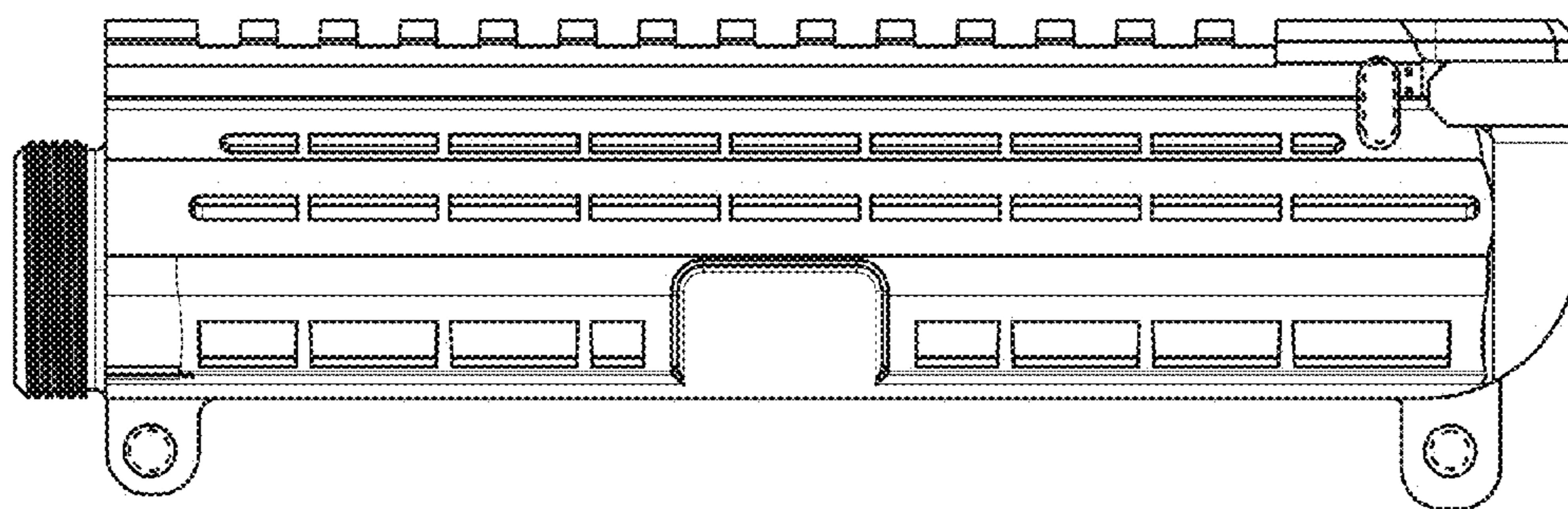
*FIG. 19*



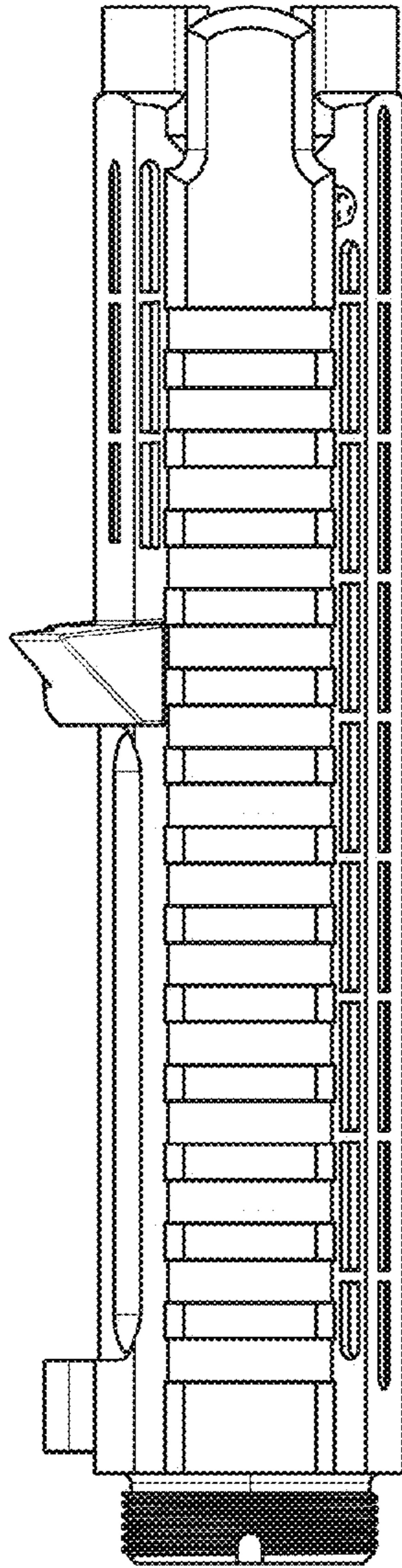
*FIG. 20*



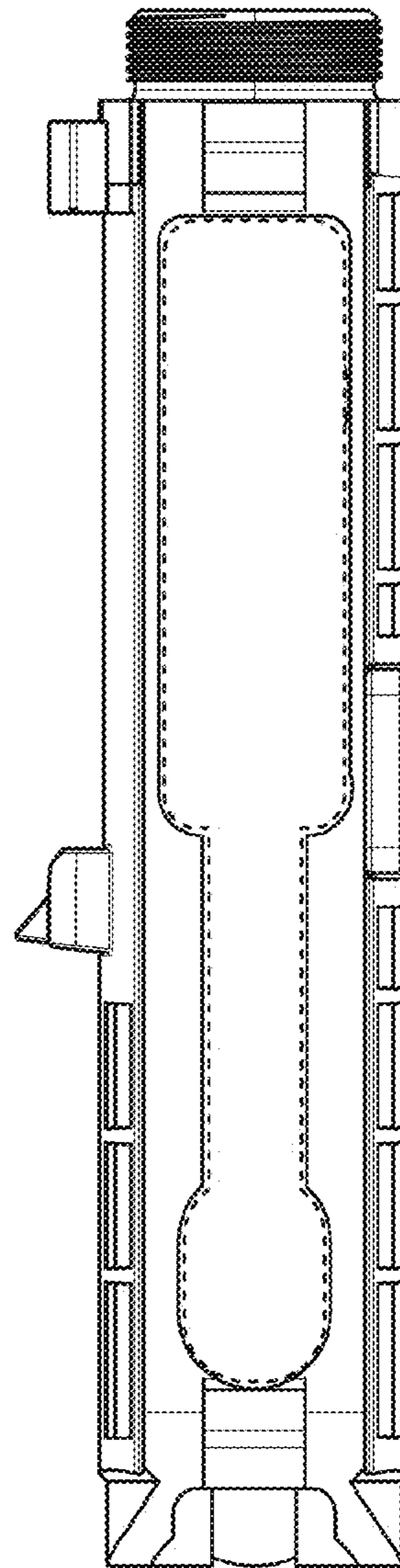
*FIG. 21*



*FIG. 22*



*FIG. 23*



*FIG. 24*