



US00D760859S

(12) **United States Design Patent**  
**Venegas**

(10) **Patent No.:** **US D760,859 S**

(45) **Date of Patent:** **\*\* \*Jul. 5, 2016**

(54) **MUZZLE BRAKE**

(71) Applicant: **Dustin Robert Venegas**, Perris, CA (US)

(72) Inventor: **Dustin Robert Venegas**, Perris, CA (US)

(\*) Notice: This patent is subject to a terminal disclaimer.

(\*\*) Term: **14 Years**

(21) Appl. No.: **29/497,250**

(22) Filed: **Jul. 22, 2014**

(51) **LOC (10) Cl.** ..... **22-01**

(52) **U.S. Cl.**  
USPC ..... **D22/108**

(58) **Field of Classification Search**  
USPC ..... D22/108  
CPC ..... F41A 21/34; F41A 21/325; F41A 21/32;  
F41A 21/28  
See application file for complete search history.

					42/1.06
D687,508	S *	8/2013	Peterman	.....	D22/108
D729,894	S *	5/2015	DeLuca	.....	D22/108
2005/0188829	A1 *	9/2005	Hanslick	.....	F41A 21/38
					89/14.3
2006/0283318	A1 *	12/2006	Beaty	.....	F41A 21/28
					89/193
2009/0064558	A1 *	3/2009	Woroner	.....	F41G 11/003
					42/90
2010/0275492	A1 *	11/2010	Moller	.....	F41A 21/40
					42/79
2013/0199071	A1 *	8/2013	Lee	.....	F41A 21/325
					42/76.01
2014/0075800	A1 *	3/2014	Morris, Jr.	.....	F41A 21/36
					42/1.06

\* cited by examiner

*Primary Examiner* — Michael A Pratt

(74) *Attorney, Agent, or Firm* — Dunlap, Bennett & Ludwig PLLC

(57) **CLAIM**

The ornamental design for a muzzle brake, as shown and described.

(56) **References Cited**

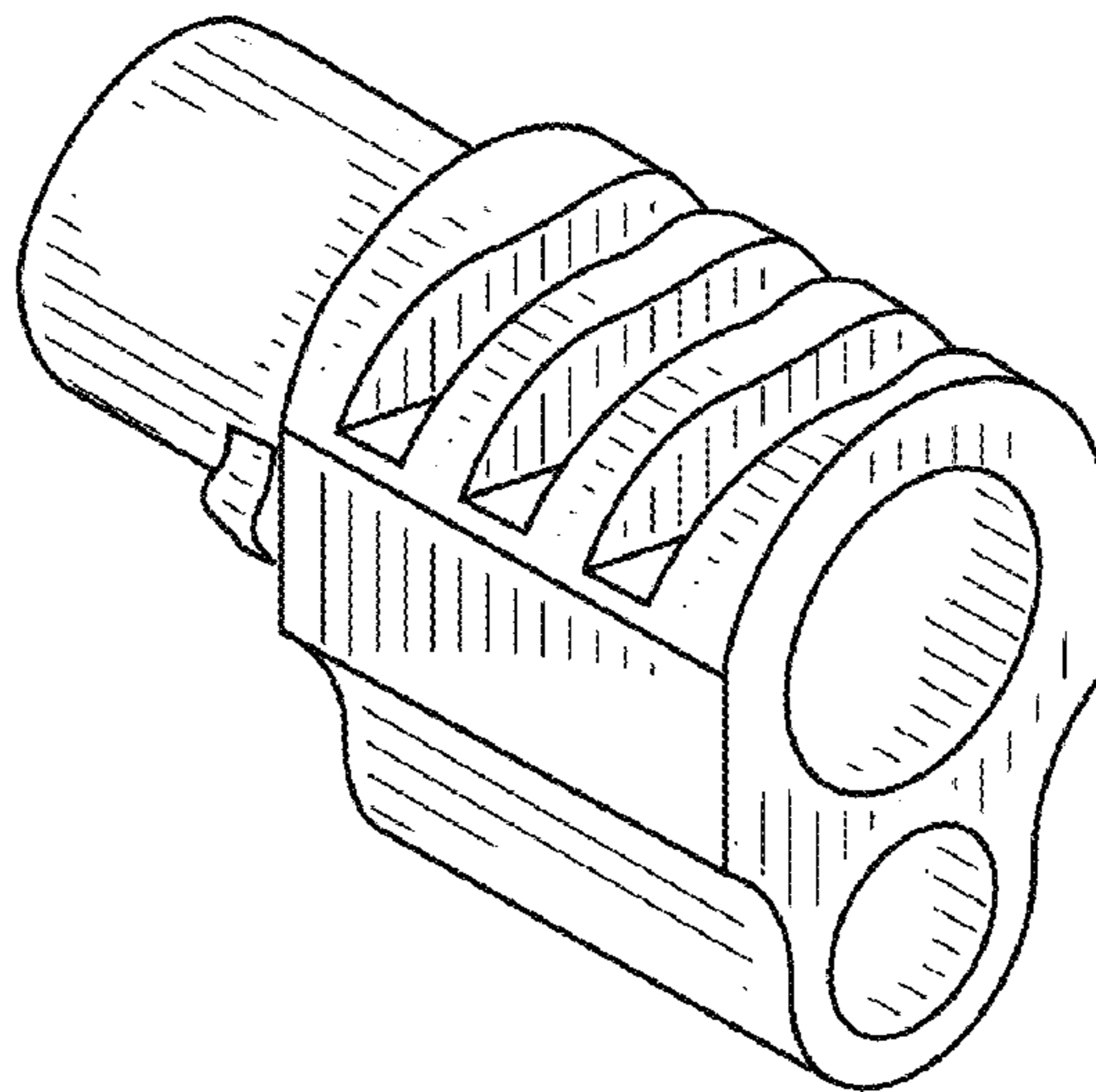
U.S. PATENT DOCUMENTS

D158,792	S *	5/1950	Powell et al.	.....	42/79
2,656,637	A *	10/1953	Richards	.....	F41A 21/42
					42/79
5,305,678	A *	4/1994	Talbot	.....	F41A 21/36
					42/1.06
D532,072	S *	11/2006	Price	.....	D22/108
D534,235	S *	12/2006	Price	.....	D22/108
D536,054	S *	1/2007	Price	.....	D22/108
7,748,306	B1 *	7/2010	Curry	.....	F41A 21/28

**DESCRIPTION**

FIG. 1 is a perspective front view of a muzzle brake; FIG. 2 is a front elevation view of the muzzle brake; FIG. 3 is a rear elevation view of the muzzle brake; FIG. 4 is a left elevation view of the muzzle brake; FIG. 5 is a right elevation view of the muzzle brake; FIG. 6 is a top elevation view of the muzzle brake; and, FIG. 7 is a bottom elevation view of the muzzle brake.

**1 Claim, 2 Drawing Sheets**



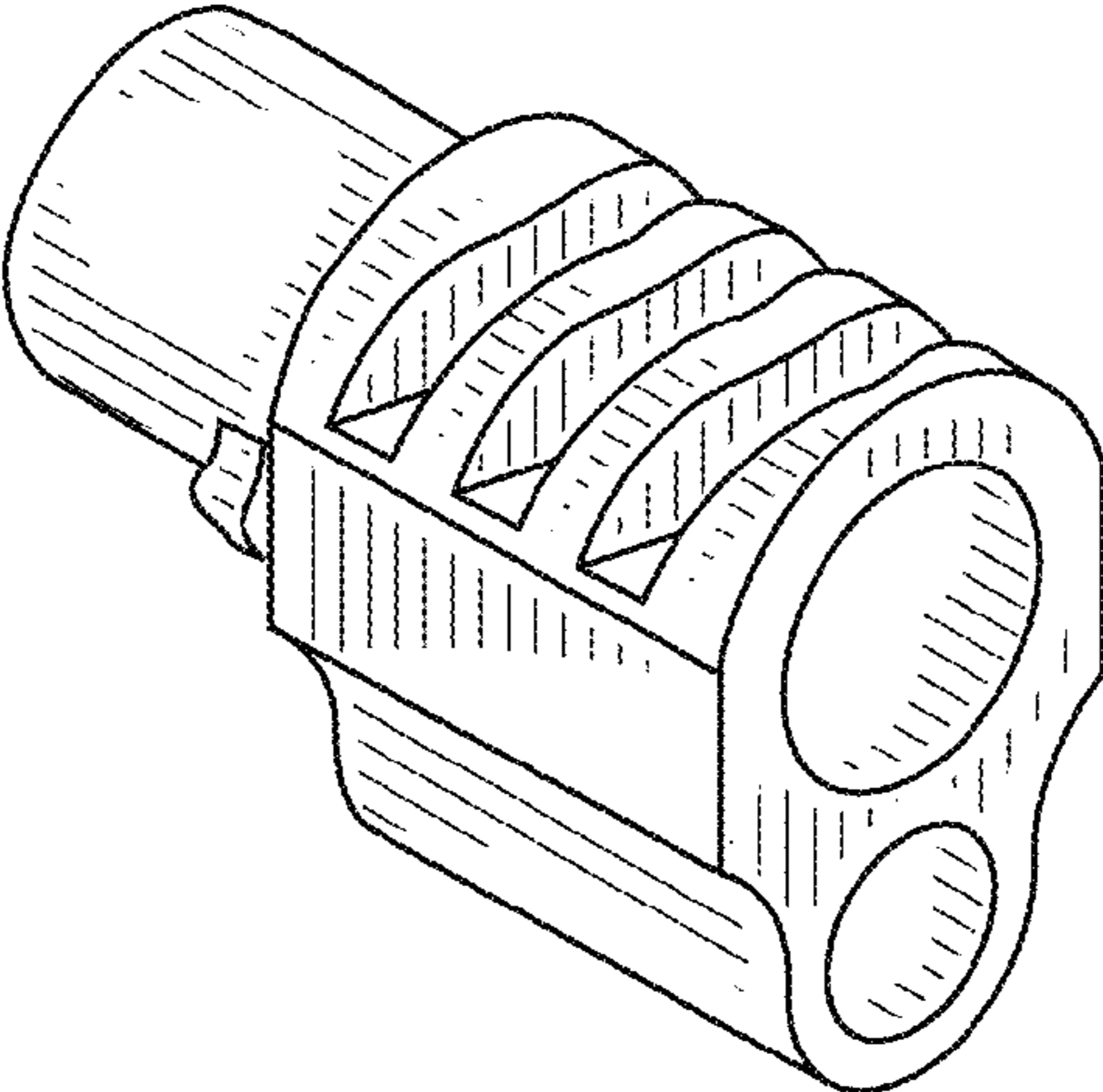


FIG. 1

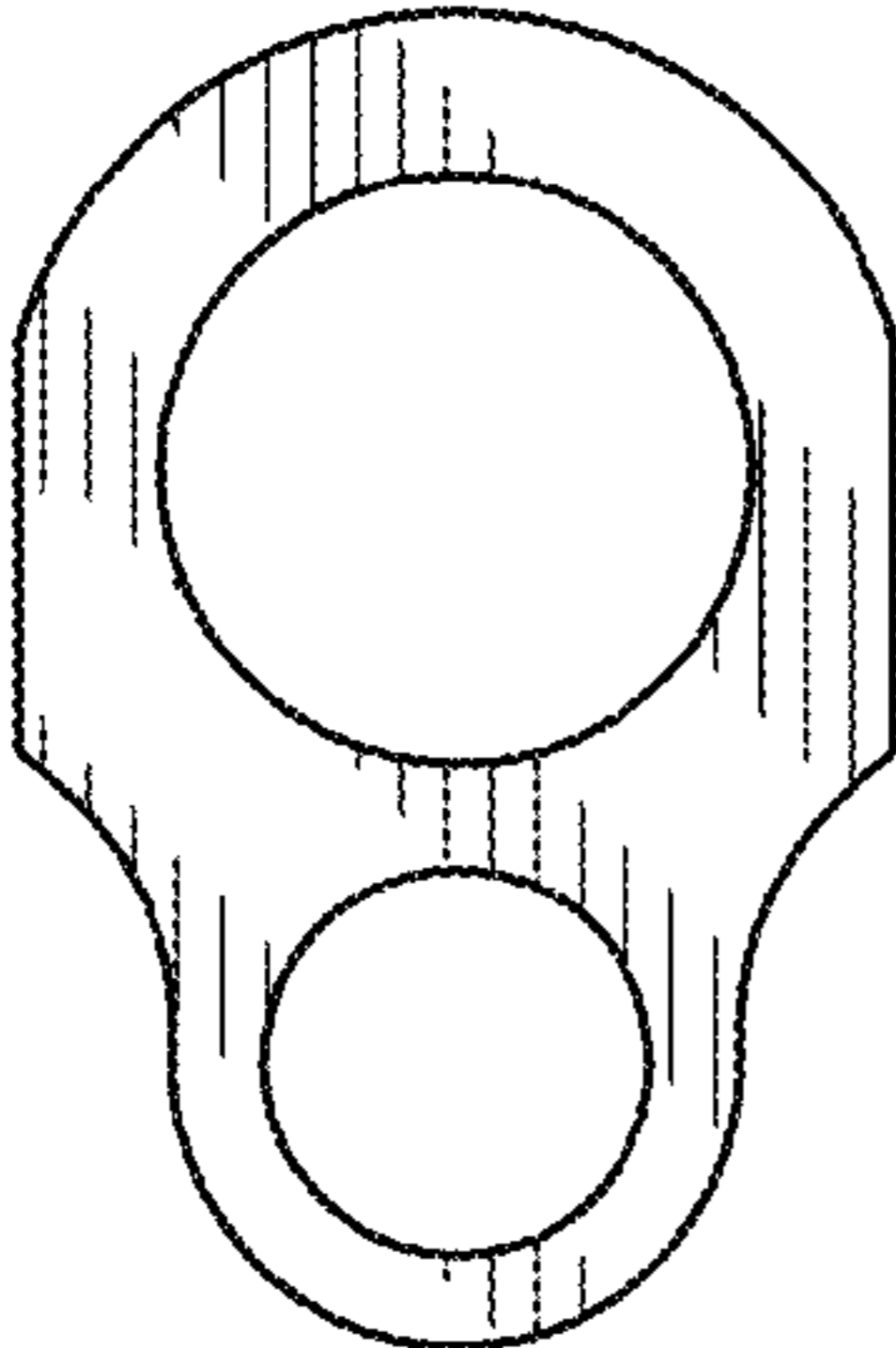


FIG. 2

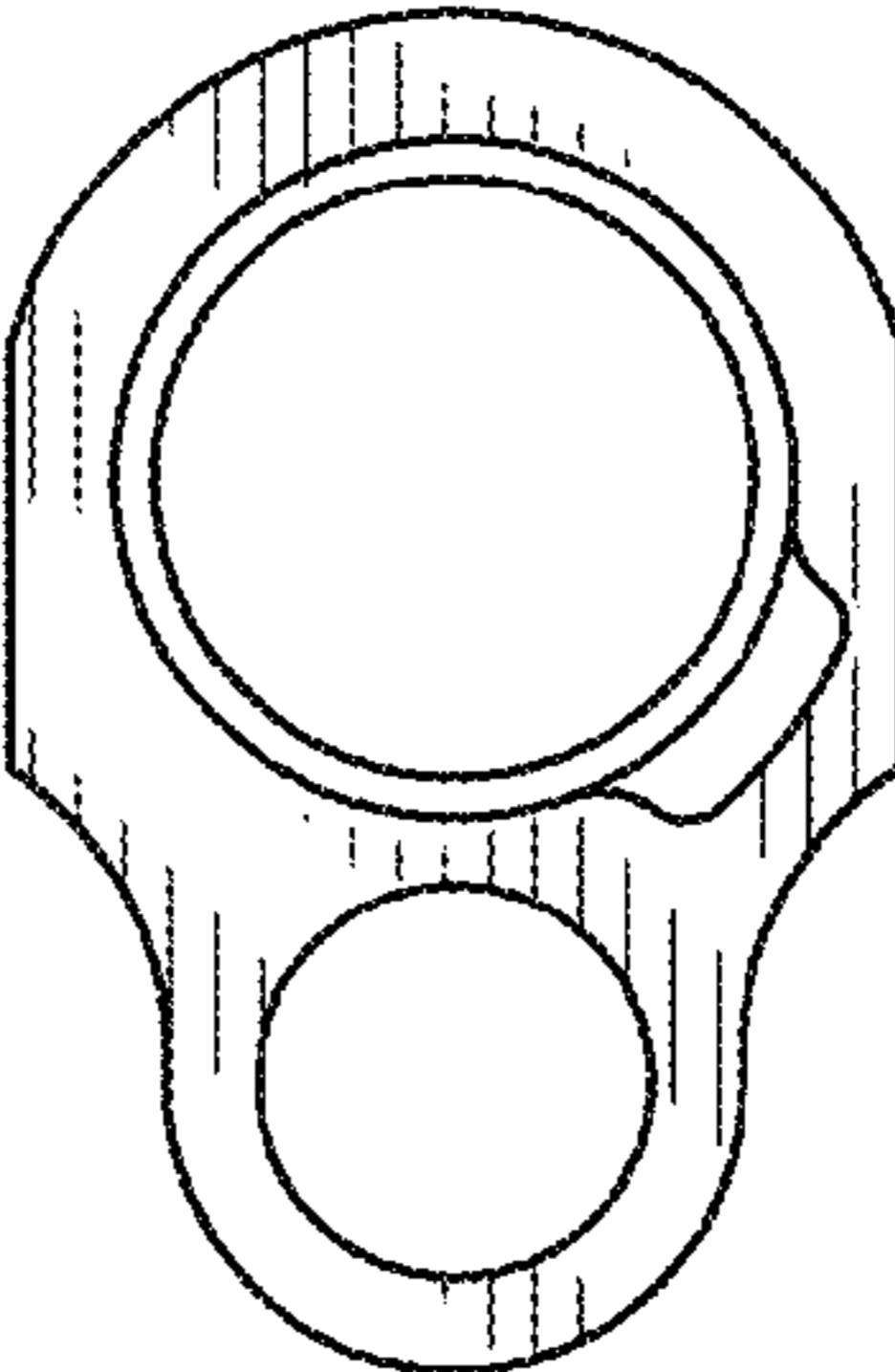


FIG. 3

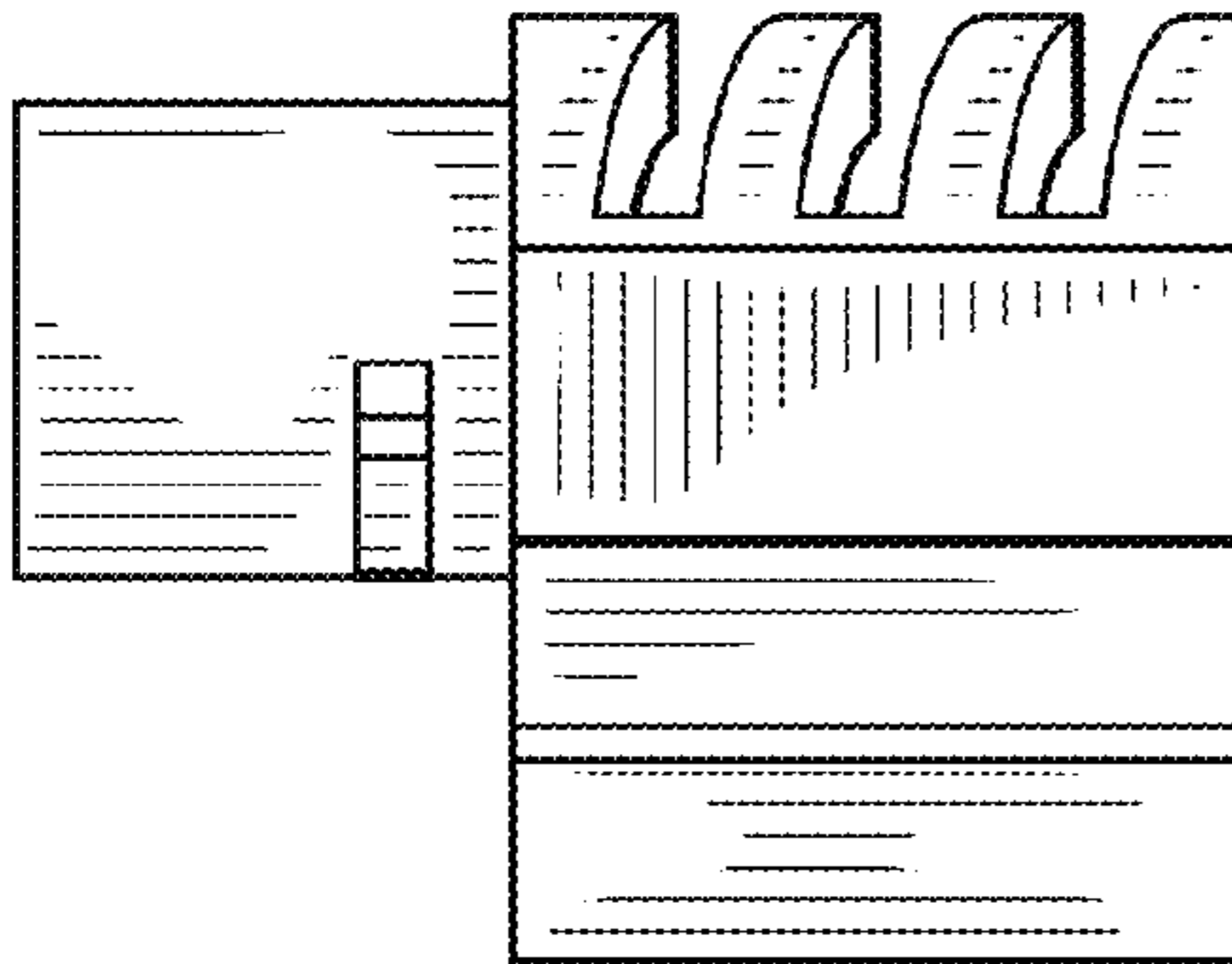


FIG. 4

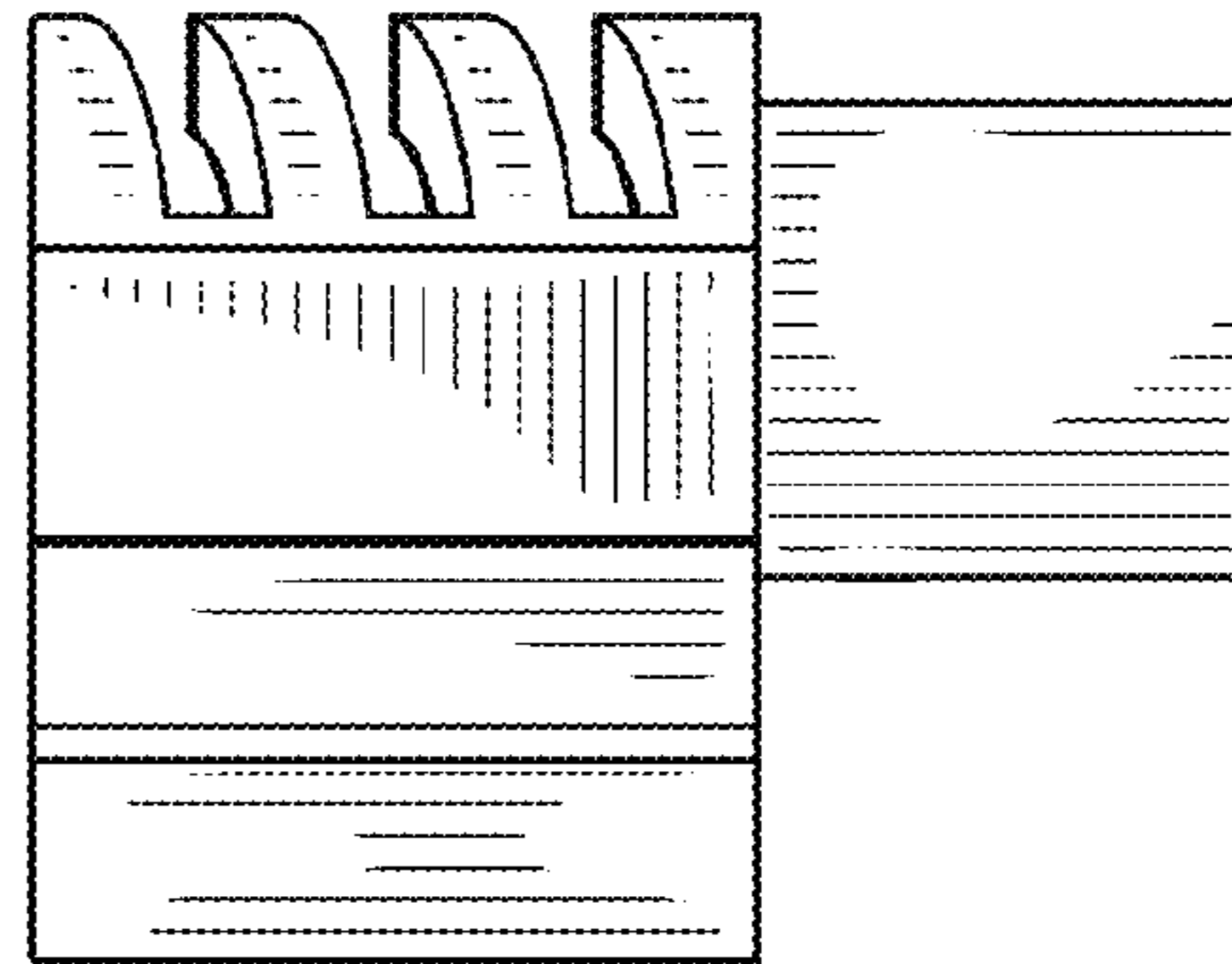


FIG. 5

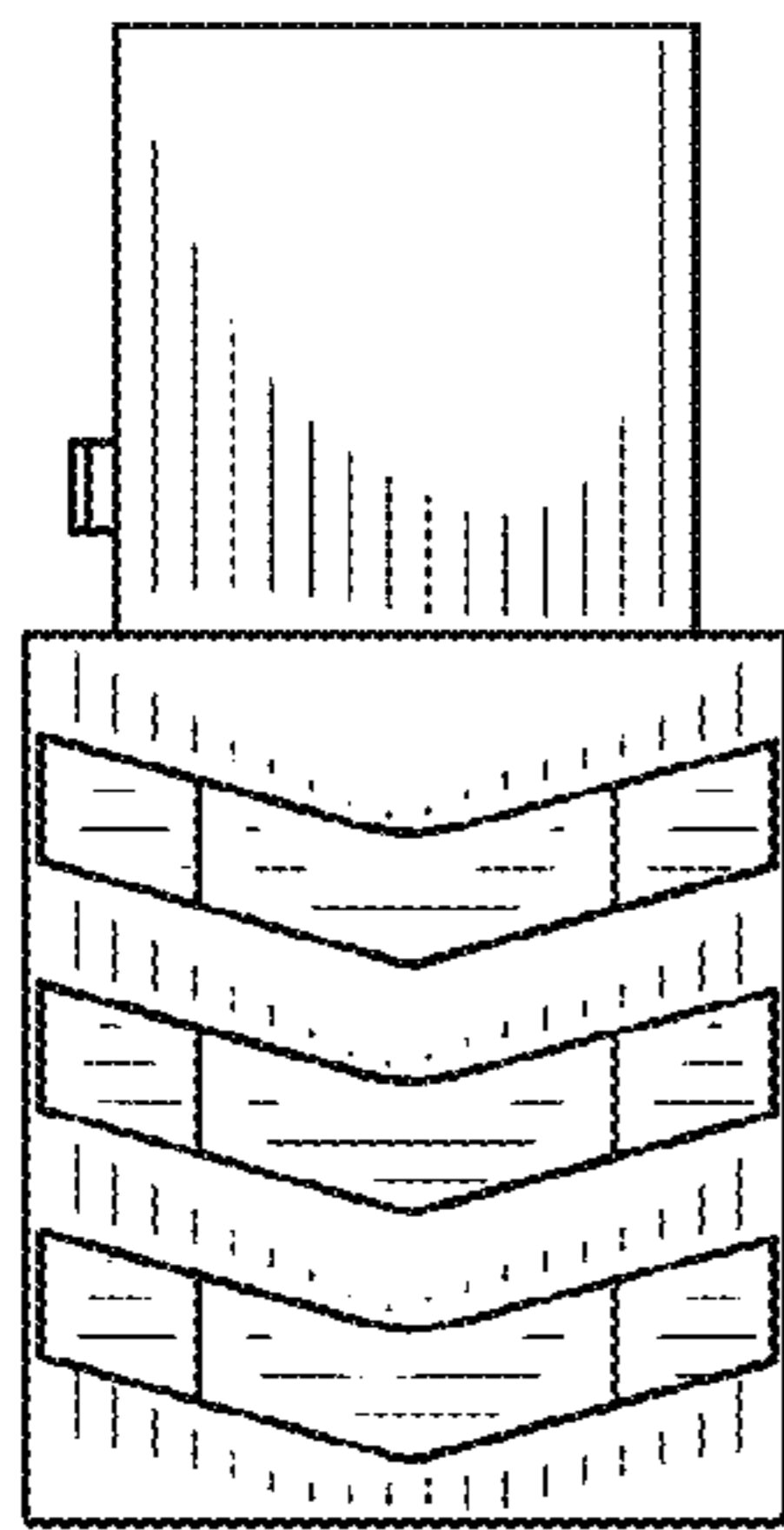


FIG. 6

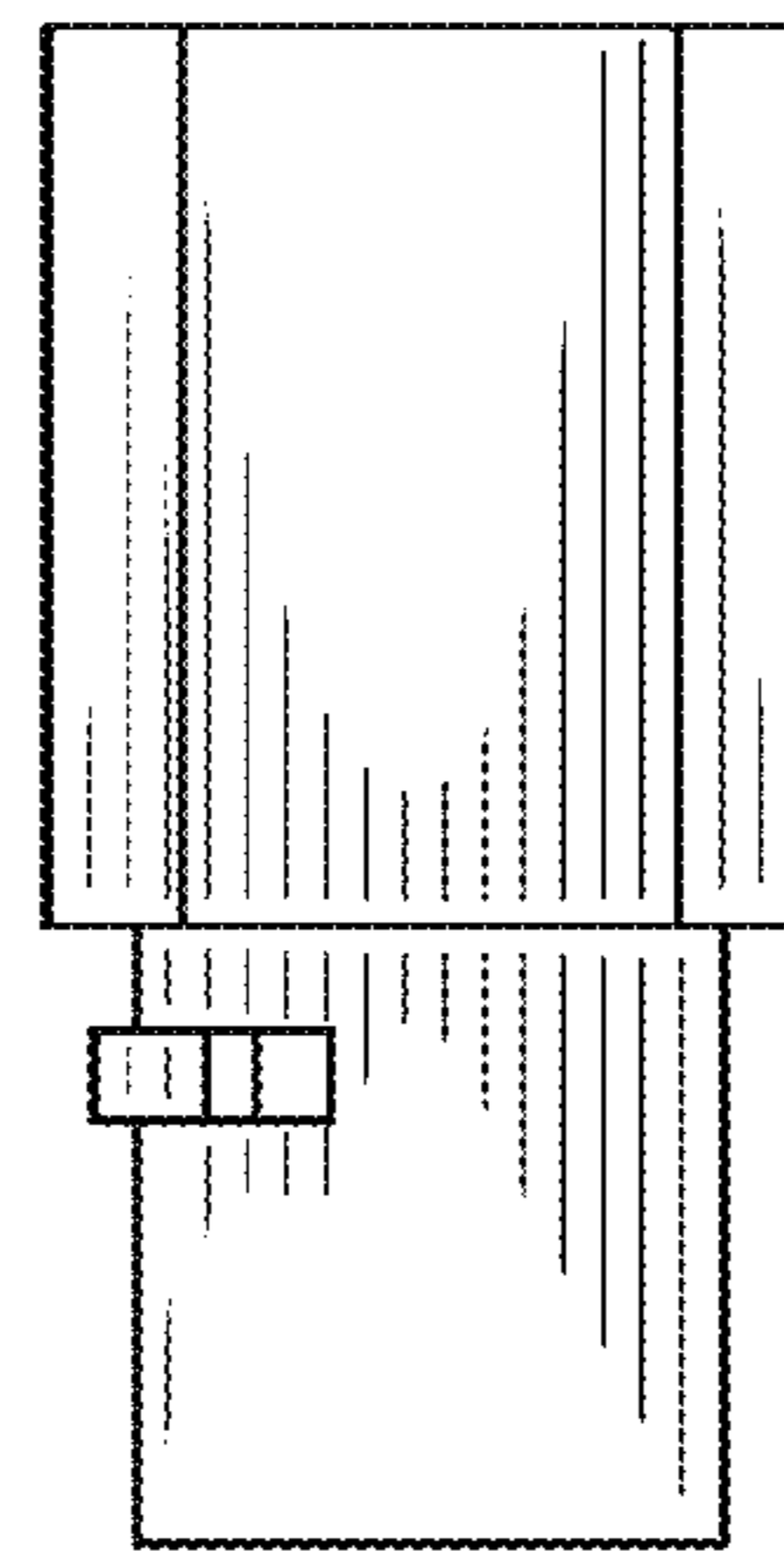


FIG. 7