



US00D760857S

(12) **United States Design Patent**  
**Matthews**

(10) **Patent No.:** **US D760,857 S**  
(45) **Date of Patent:** **\*\* Jul. 5, 2016**

- (54) **TENT FOOT DEVICE**
- (71) Applicant: **Patrick T. Matthews**, Ramsey, MN (US)
- (72) Inventor: **Patrick T. Matthews**, Ramsey, MN (US)
- (\*\*) Term: **15 Years**
- (21) Appl. No.: **29/529,732**
- (22) Filed: **Jun. 10, 2015**
- (51) **LOC (10) Cl.** ..... **21-04**
- (52) **U.S. Cl.**  
USPC ..... **D21/839**
- (58) **Field of Classification Search**  
USPC ..... D21/834-840  
CPC ..... E04H 15/32; E04H 15/34; E04H 15/36;  
E04H 15/40; E04H 15/48; E04H 15/60;  
E04H 15/62; E04H 15/64  
See application file for complete search history.

- 5,771,912 A \* 6/1998 Swetish ..... E04H 15/40  
135/114
- 5,954,077 A \* 9/1999 Wain ..... E04H 15/64  
135/119
- 6,418,952 B1 \* 7/2002 Worley ..... E04H 15/60  
135/120.1
- 7,228,867 B2 \* 6/2007 Goodwin ..... E04H 15/60  
135/118
- 7,654,277 B1 \* 2/2010 Brewer ..... E04H 12/2215  
135/118
- 7,941,952 B1 \* 5/2011 Corbean ..... G09F 15/0025  
116/63 P
- 2002/0073601 A1 \* 6/2002 DeSorcy ..... A01K 87/00  
43/25

\* cited by examiner

*Primary Examiner* — Cynthia M Chin

(74) *Attorney, Agent, or Firm* — Dave Alan Lingbeck

(57) **CLAIM**

The ornamental design for a tent foot device, as shown and described.

(56) **References Cited**

U.S. PATENT DOCUMENTS

- 4,195,651 A \* 4/1980 Watts ..... E04H 15/28  
135/119
- D259,654 S \* 6/1981 Baba ..... D21/839
- 4,782,846 A \* 11/1988 Ting ..... E04H 15/62  
135/118
- 4,819,680 A \* 4/1989 Beavers ..... E04H 15/48  
135/119
- 5,573,028 A \* 11/1996 van der Stigohel ..... E04H 15/48  
135/119
- 5,615,699 A \* 4/1997 Lee ..... E04H 15/64  
135/118

**DESCRIPTION**

FIG. 1 is a top perspective view of tent foot device showing our new design.

FIG. 2 is a top plan view of the tent foot device.

FIG. 3 is a bottom plan view of the tent foot device.

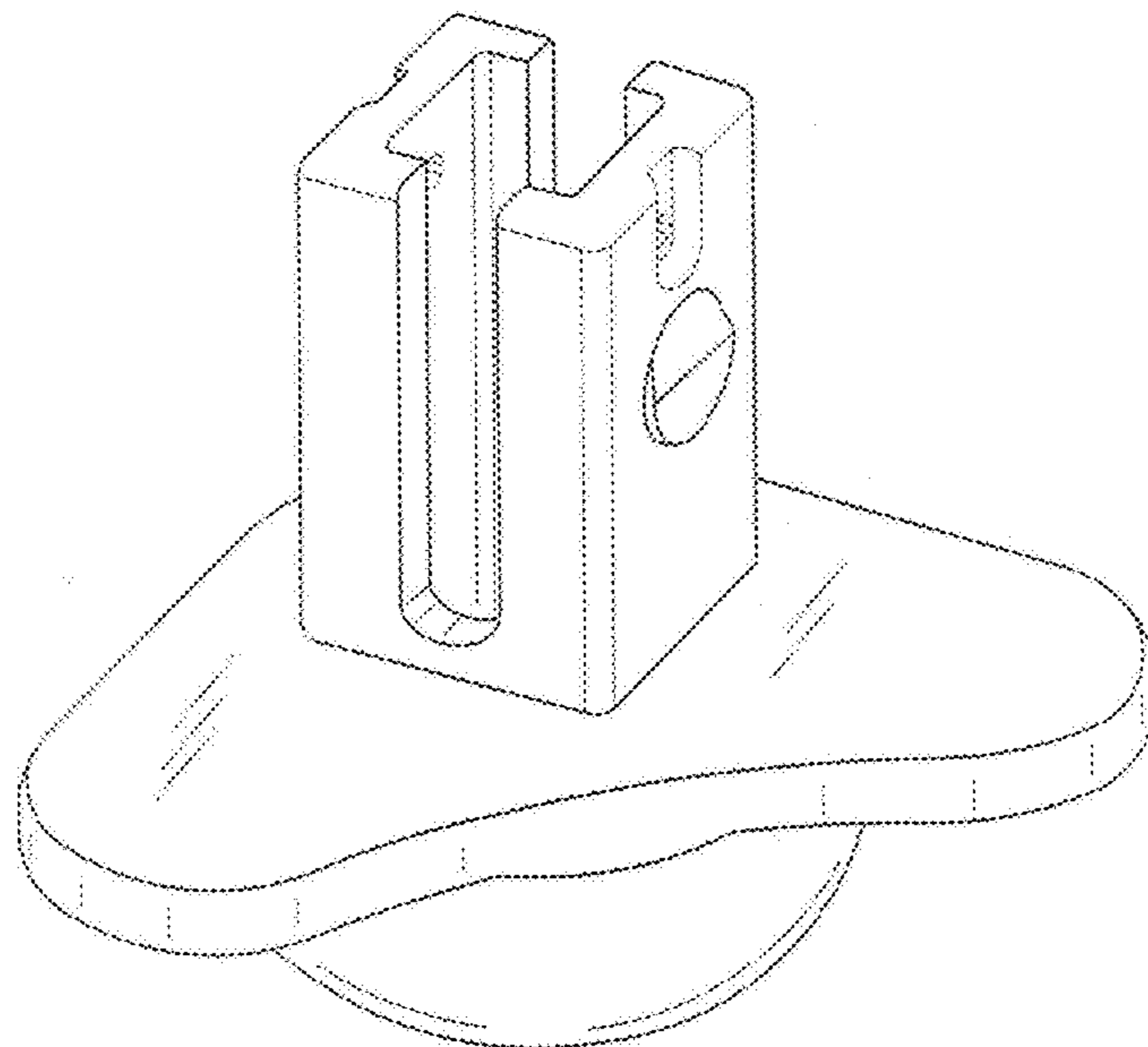
FIG. 4 is a first side elevation view of the tent foot device.

FIG. 5 is a second side elevation view of the tent foot device.

FIG. 6 is a third side elevation view of the tent foot device; and,

FIG. 7 is a fourth side elevation view of the tent foot device.

**1 Claim, 4 Drawing Sheets**



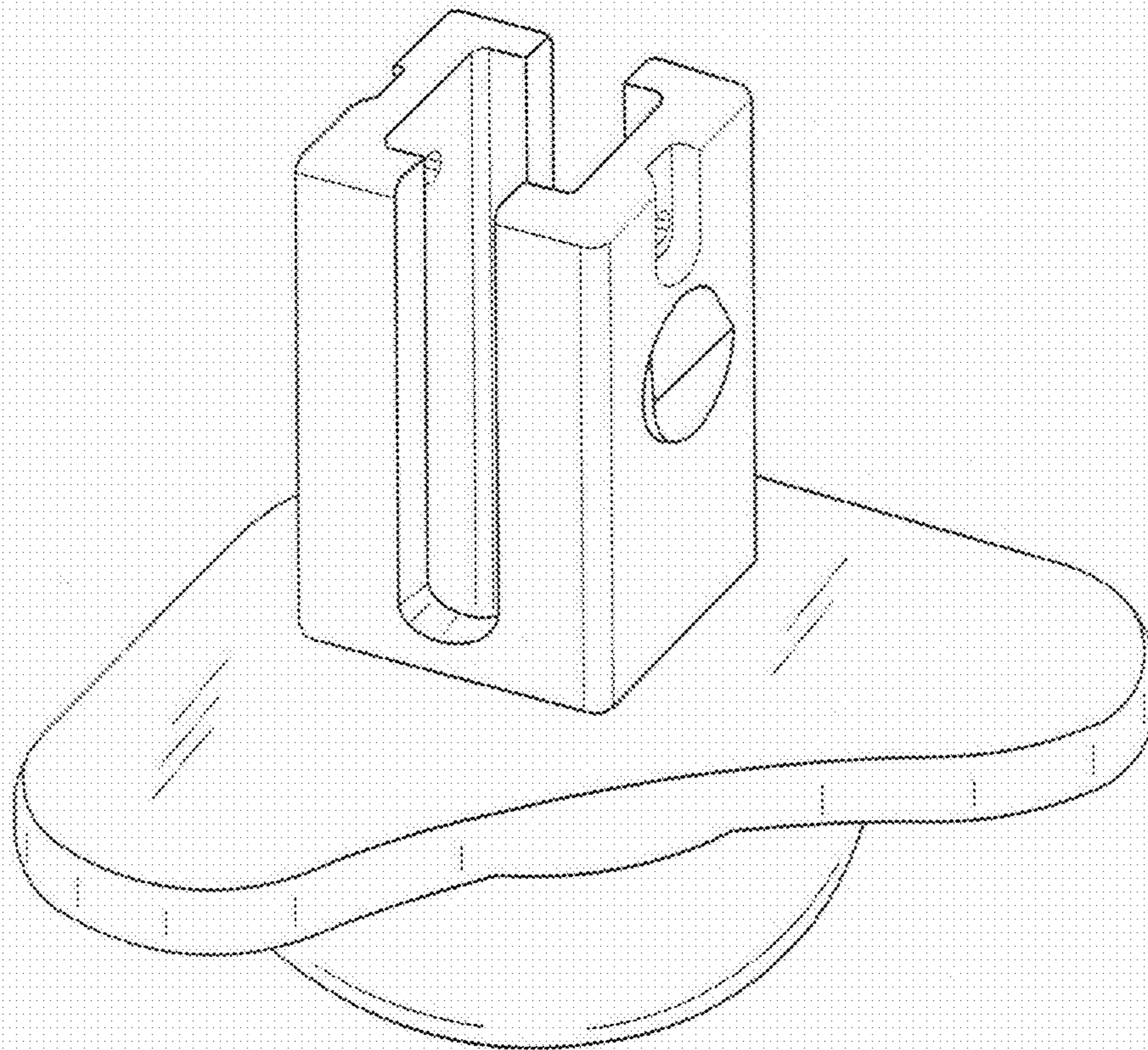


FIG. 1

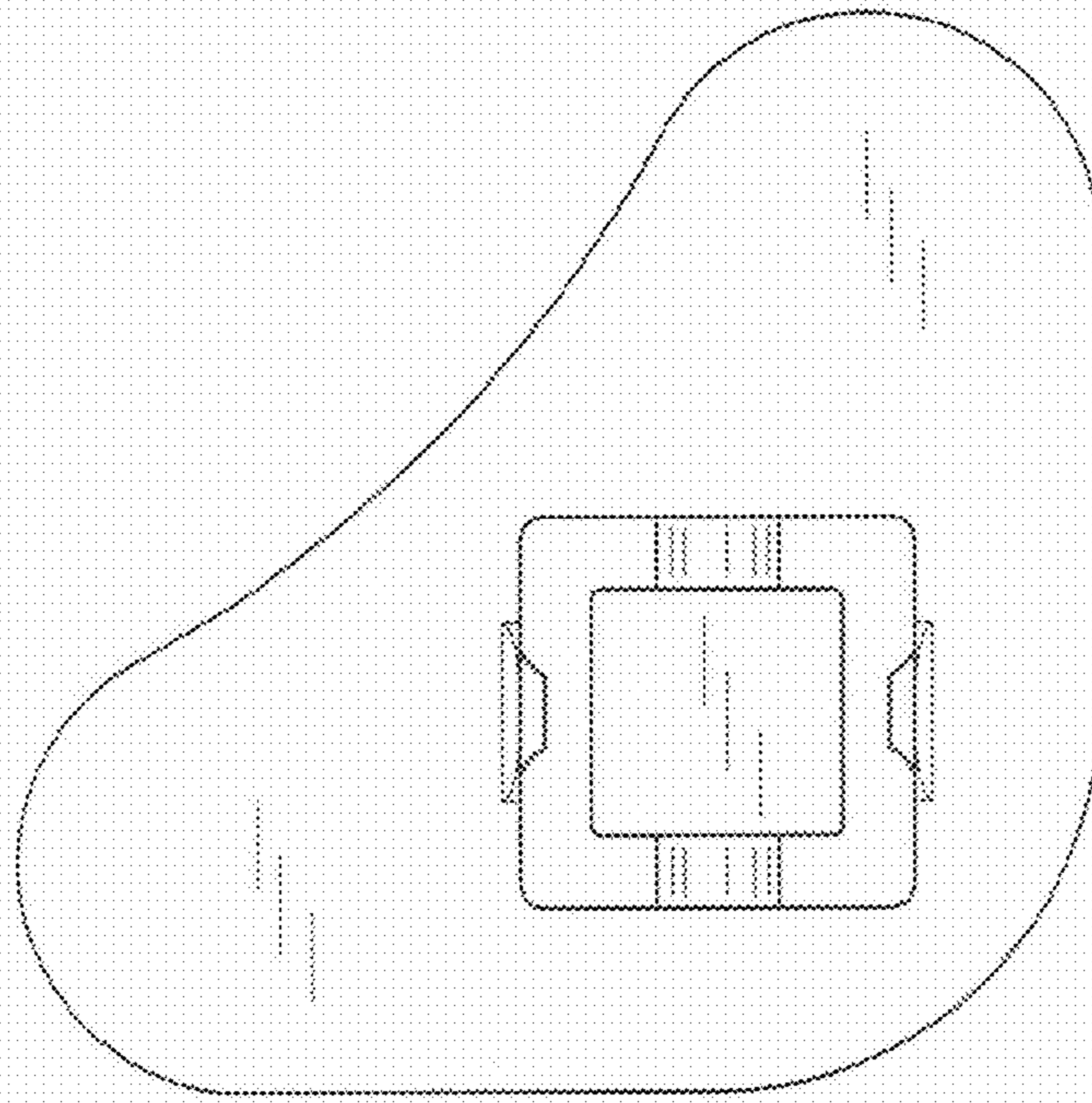


FIG. 2

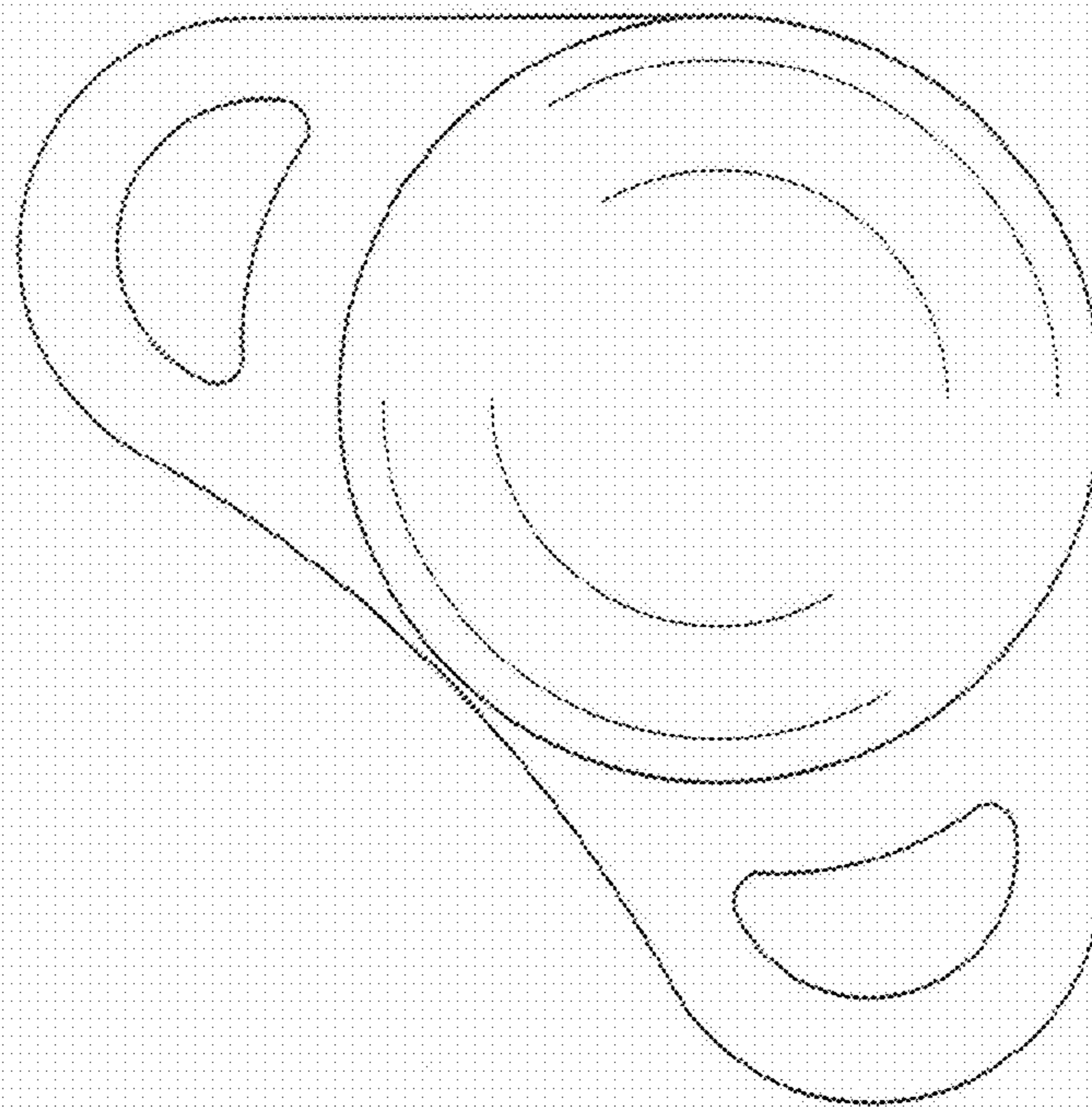


FIG. 3

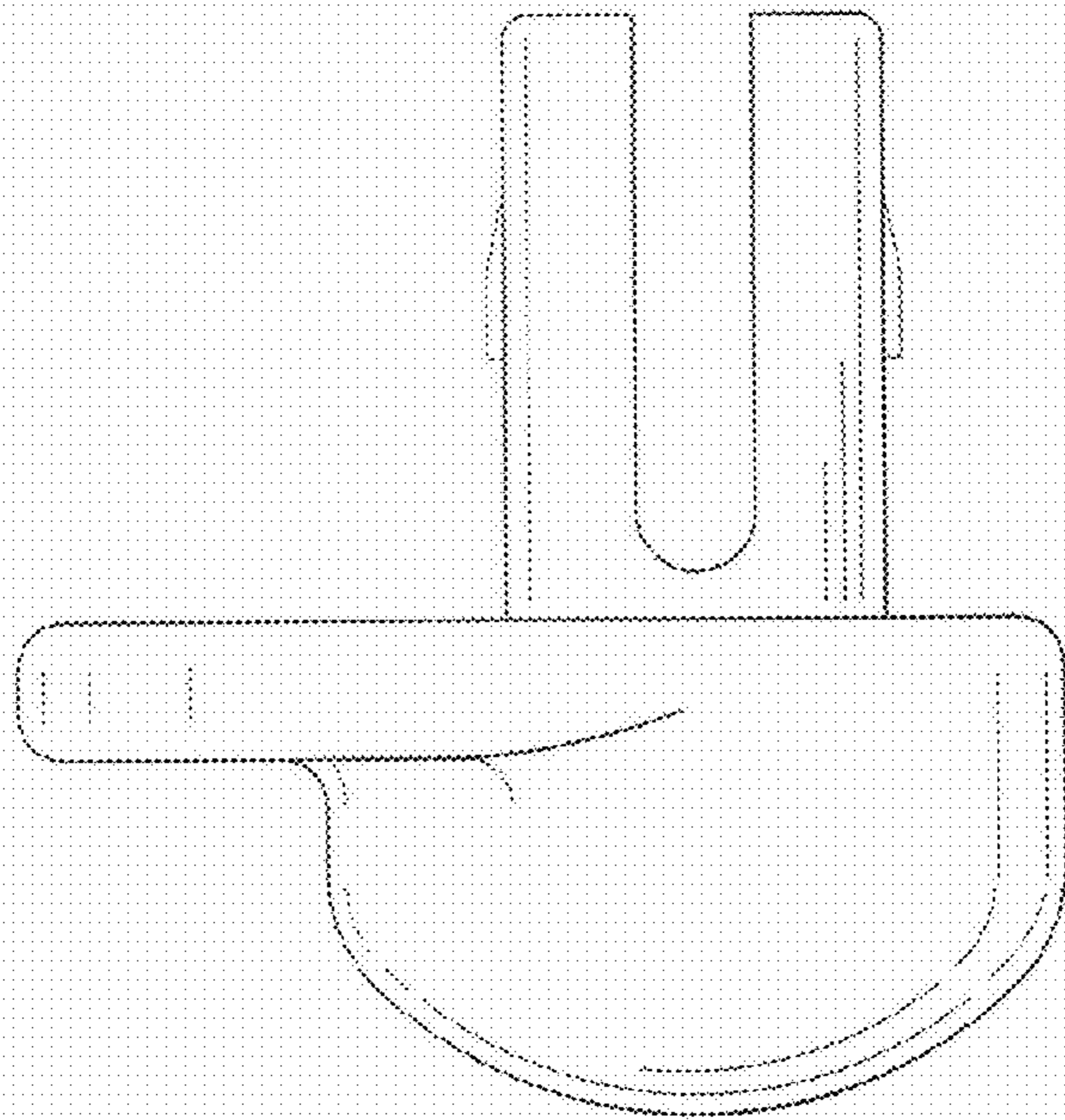


FIG. 4

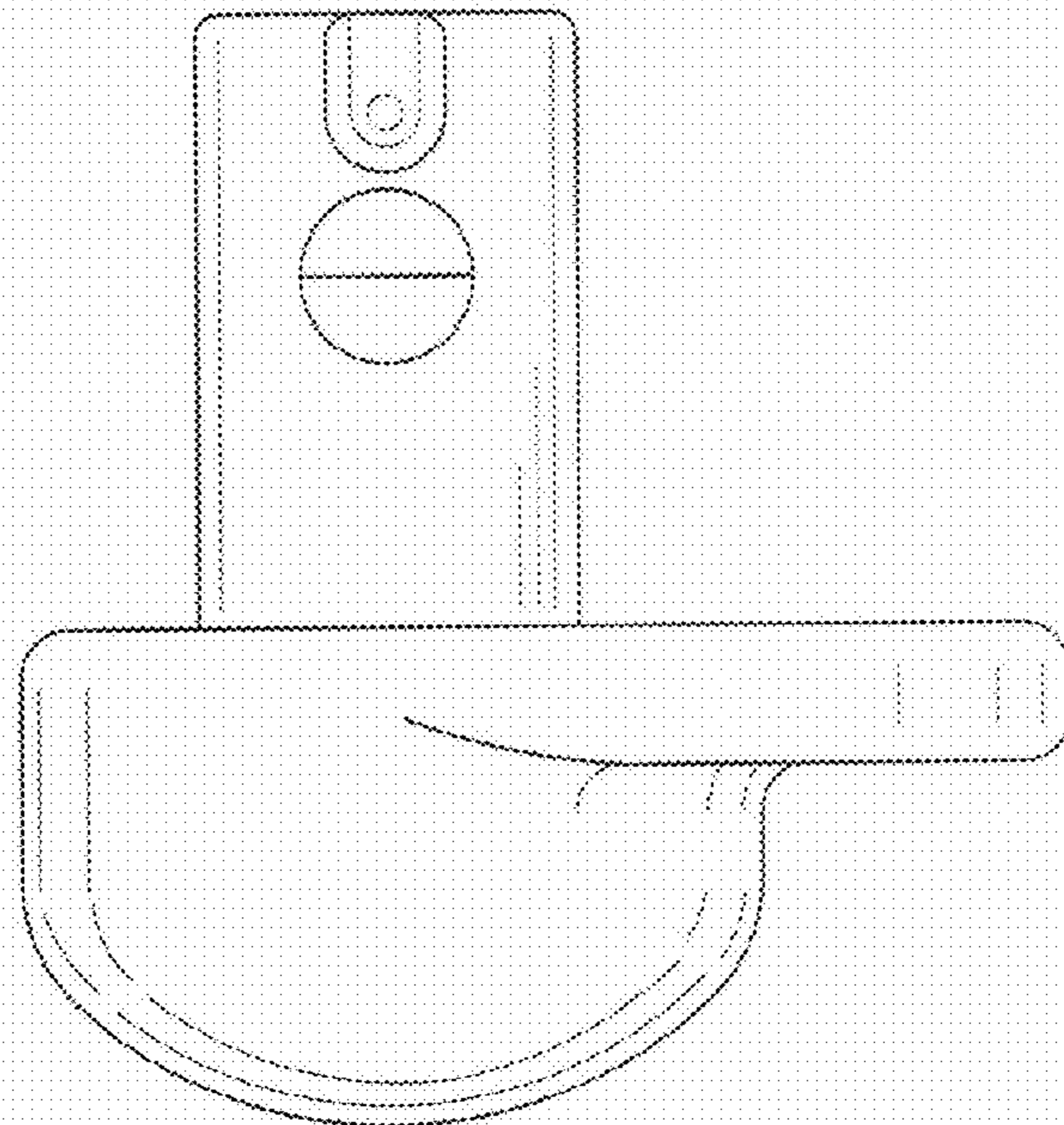


FIG. 5

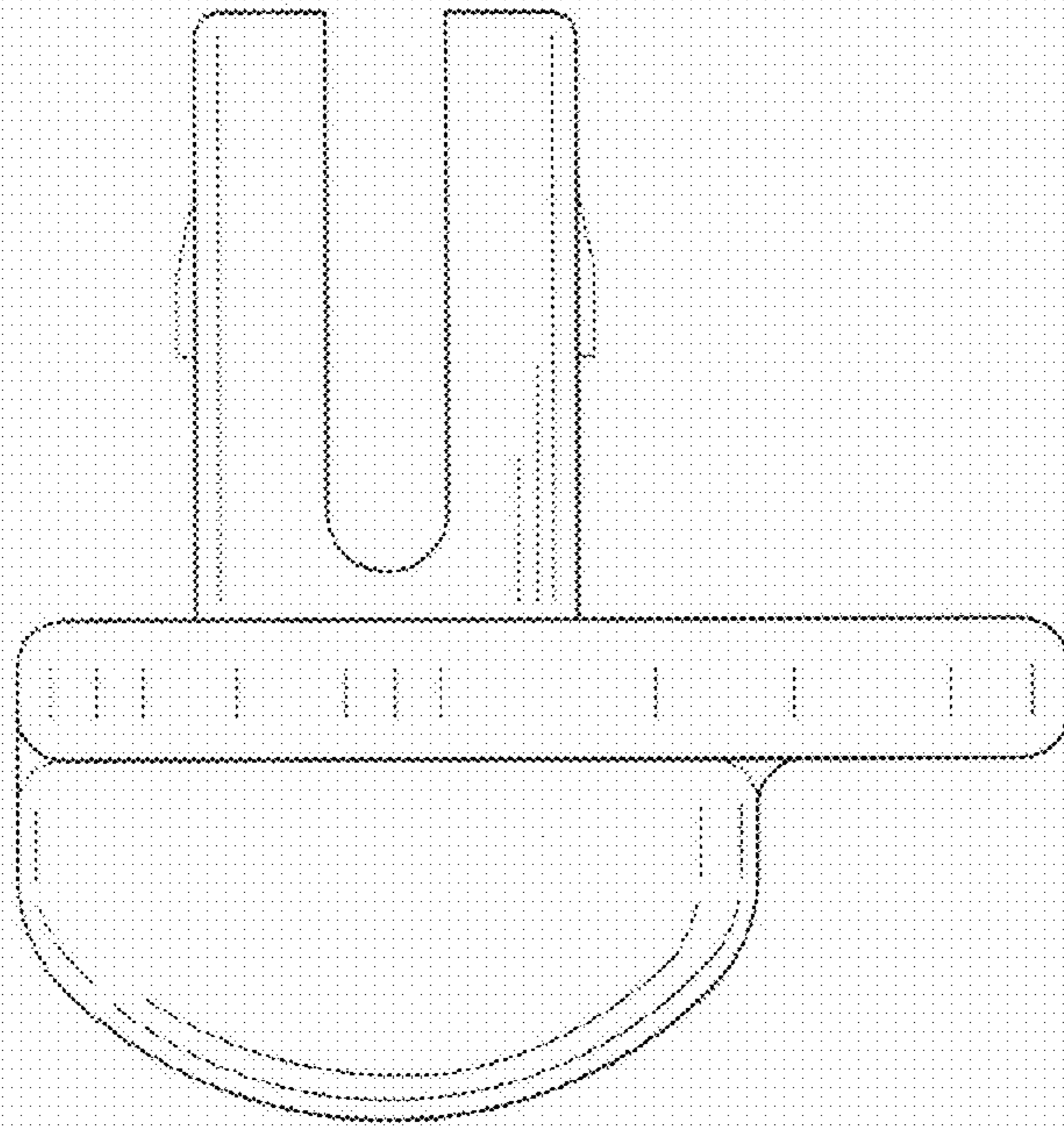


FIG. 6

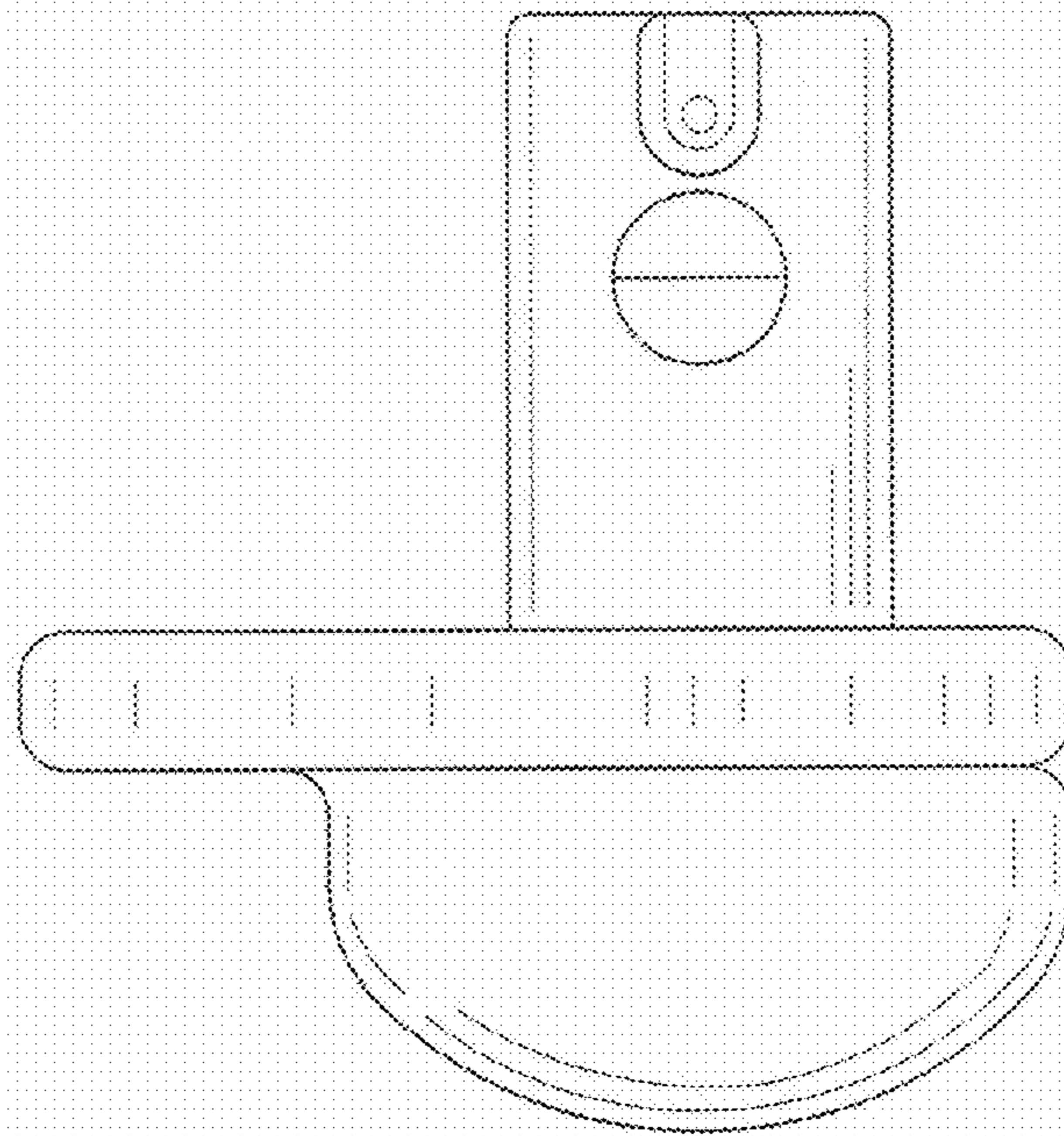


FIG. 7