



US00D760856S

(12) **United States Design Patent**
Svendsen

(10) **Patent No.:** **US D760,856 S**
(45) **Date of Patent:** **** Jul. 5, 2016**

- (54) **WATER SLIDE**
- (71) Applicant: **S.R. Smith, LLC**, Canby, OR (US)
- (72) Inventor: **William J. Svendsen**, Aurora, OR (US)
- (73) Assignee: **S.R. SMITH, LLC**, Canby, OR (US)
- (**) Term: **14 Years**
- (21) Appl. No.: **29/526,036**
- (22) Filed: **May 5, 2015**

- 4,893,807 A * 1/1990 Ahrens A63G 21/10
104/821
- D335,517 S * 5/1993 Vatterot D21/821
- D344,317 S * 2/1994 Petersheim D21/821
- 5,378,197 A * 1/1995 Briggs A63B 9/00
472/128
- D361,614 S * 8/1995 Aker D21/821
- 5,478,281 A * 12/1995 Forton A63G 21/18
472/116
- D372,065 S * 7/1996 Gilles D21/821
- 5,741,189 A 4/1998 Briggs
- D418,895 S * 1/2000 Ruggiero D21/818
- D429,788 S * 8/2000 Sutton D21/818

(Continued)

Related U.S. Application Data

- (62) Division of application No. 29/485,378, filed on Mar. 18, 2014, now Pat. No. Des. 731,018, which is a division of application No. 29/444,242, filed on Jan. 28, 2013, now Pat. No. Des. 703,782.
- (51) **LOC (10) Cl.** **21-03**
- (52) **U.S. Cl.**
USPC **D21/821**
- (58) **Field of Classification Search**
USPC D21/811, 814, 818-822, 826
CPC A63G 21/18; A63G 31/007; A63G 21/10
See application file for complete search history.

References Cited

U.S. PATENT DOCUMENTS

- D218,625 S * 9/1970 Abrens 472/116
- 3,565,226 A * 2/1971 Winchester B65G 11/063
193/12
- D221,963 S * 9/1971 Henning D21/821
- D227,382 S * 6/1973 Wormser et al. D21/821
- 3,755,878 A * 9/1973 Henning A63G 21/00
193/12
- 3,814,418 A * 6/1974 Henning B21D 53/00
193/12
- D250,784 S * 1/1979 Dieter 472/116
- D262,230 S * 12/1981 Ament D21/820
- D268,859 S * 5/1983 Ament D21/820
- 4,805,897 A 2/1989 Dubeta
- 4,805,898 A * 2/1989 Jacober A63G 21/18
104/70

OTHER PUBLICATIONS

Pool & Spa News, Dec. 2012, "2013 New Products Supplement" (eight pages) http://www.poolspanews.com/products/new-products-2013_2.aspx Visited May 26, 2015.

(Continued)

Primary Examiner — Mitchell Siegel

(74) *Attorney, Agent, or Firm* — Stoel Rives LLP

(57)

CLAIM

The ornamental design for a water slide, as shown and described.

DESCRIPTION

FIG. 1 is a top left isometric view of a waterslide showing the new design;

FIG. 2 is a front side elevation view thereof;

FIG. 3 is a rear side elevation view thereof;

FIG. 4 is a left side elevation view thereof;

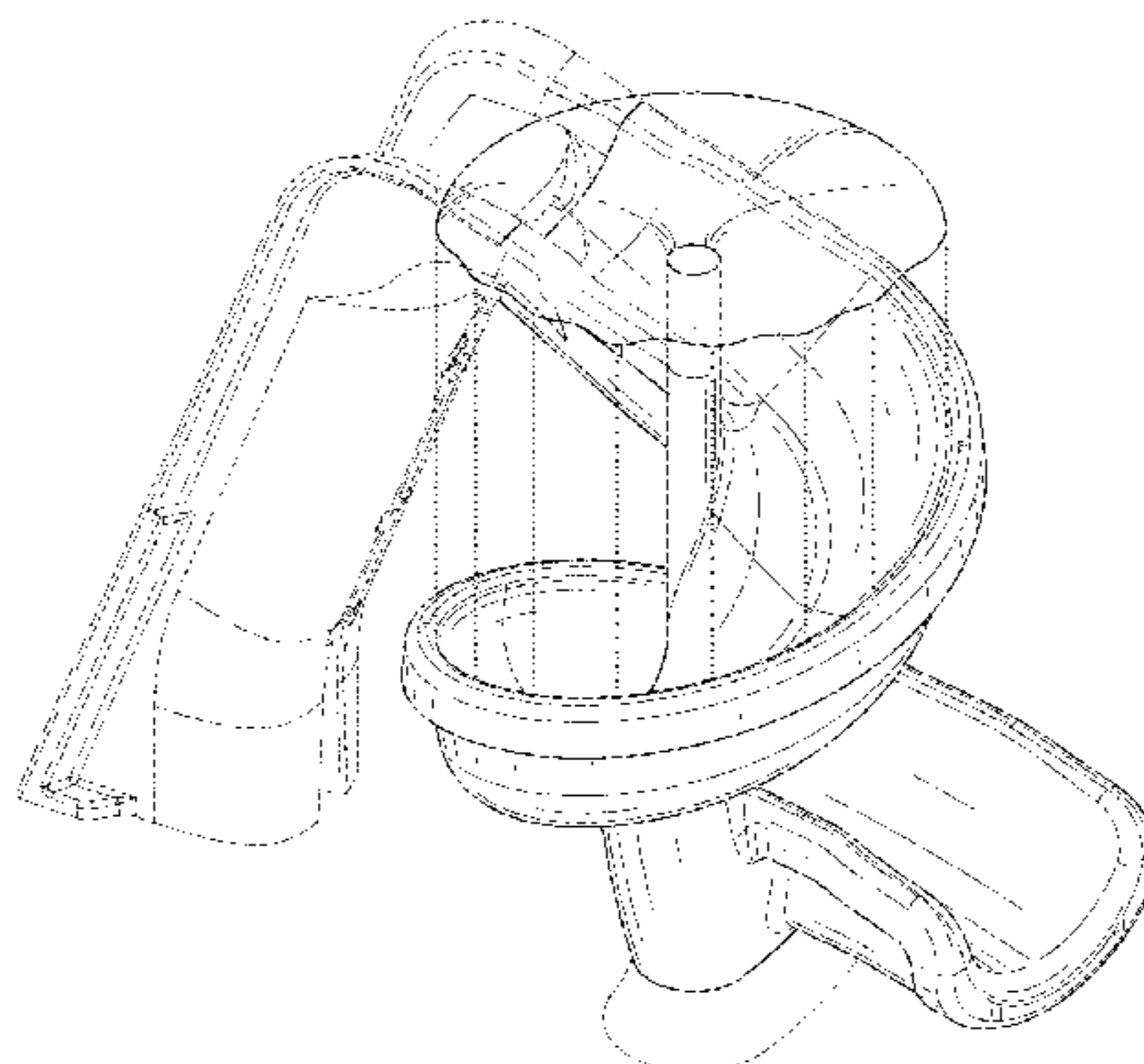
FIG. 5 is a right side elevation view thereof;

FIG. 6 is a top plan view thereof; and,

FIG. 7 is a bottom plan view thereof.

The broken lines showing in FIGS. 1-7 are for illustrative purposes only and form no part of the claimed design. The dotted lines in FIGS. 1-6 are illustrative of water spray patterns.

1 Claim, 6 Drawing Sheets



(56)

References Cited

U.S. PATENT DOCUMENTS

6,319,139	B1	11/2001	Tracy	
6,375,578	B1 *	4/2002	Briggs A63G 31/007 472/117
6,569,023	B1	5/2003	Briggs	
6,575,840	B2 *	6/2003	Hagerty A63G 21/118 472/116
6,786,830	B2	9/2004	Briggs et al.	
D577,408	S *	9/2008	Ketcherside D21/821
D589,110	S *	3/2009	Ketcherside D21/818
D594,079	S *	6/2009	Ketcherside D21/821
D703,782	S *	4/2014	Svendsen D21/821
D731,018	S *	6/2015	Svendsen D21/821
9,192,866	B2 *	11/2015	Svendsen A63G 21/18
2014/0213379	A1	7/2014	Svendsen	

OTHER PUBLICATIONS

Svendsen, D703,782 Certificate of Correction dated Jun. 2, 2015 (D703,782 is the grand-parent to the present application).
 Brochure: SR Smith, LLC "Pool Slides" (2010), downloaded Jan. 2013 from <http://www.srsmith.com> (three pages).

Brochure: SR Smith, LLC "TurboTwister" model pool slide (2012), downloaded Jan. 2013 from <http://www.srsmith.com/media/47937/turbotwister0312.pdf> (one page).

Brochure: SR Smith, LLC "Vortex™" model pool slide (2012), downloaded Jan. 2013 from www.srsmith.com/products/pool-slide/vortex.aspx (one page).

Brochure: SR Smith, LLC "Typhoon™" model pool slide (2012) downloaded Jan. 2013 from <http://www.srsmith.com/media/47943/typhoon0312.pdf> (one page).

Brochure: INTER-FAB "G-Force2Slide" (2008), downloaded Jan. 2014 from <http://www.interfab.com/getattachment/7c633152-bd06-4927-b344-88196bbd56d1/G-Force.aspx> (one page).

Online Brochure: King's Fibreglass "Swimming Pool Slides" (2012), http://www.kingsfibreglass.com.au/kings_fibreglass_pool_slides.html Visted Dec. 12, 2013 (two pages).

Svendsen, U.S. Appl. No. 14/165,418, filed Jan. 28, 2013, titled Water Slide with Spray Fountain Delivery System.

Svendsen, U.S. Appl. No. 14/165,418, filed Jan. 27, 2014, titled Water Slide with Spray Fountain Delivery System (U.S. Patent Publication No. 2014/0213379).

* cited by examiner

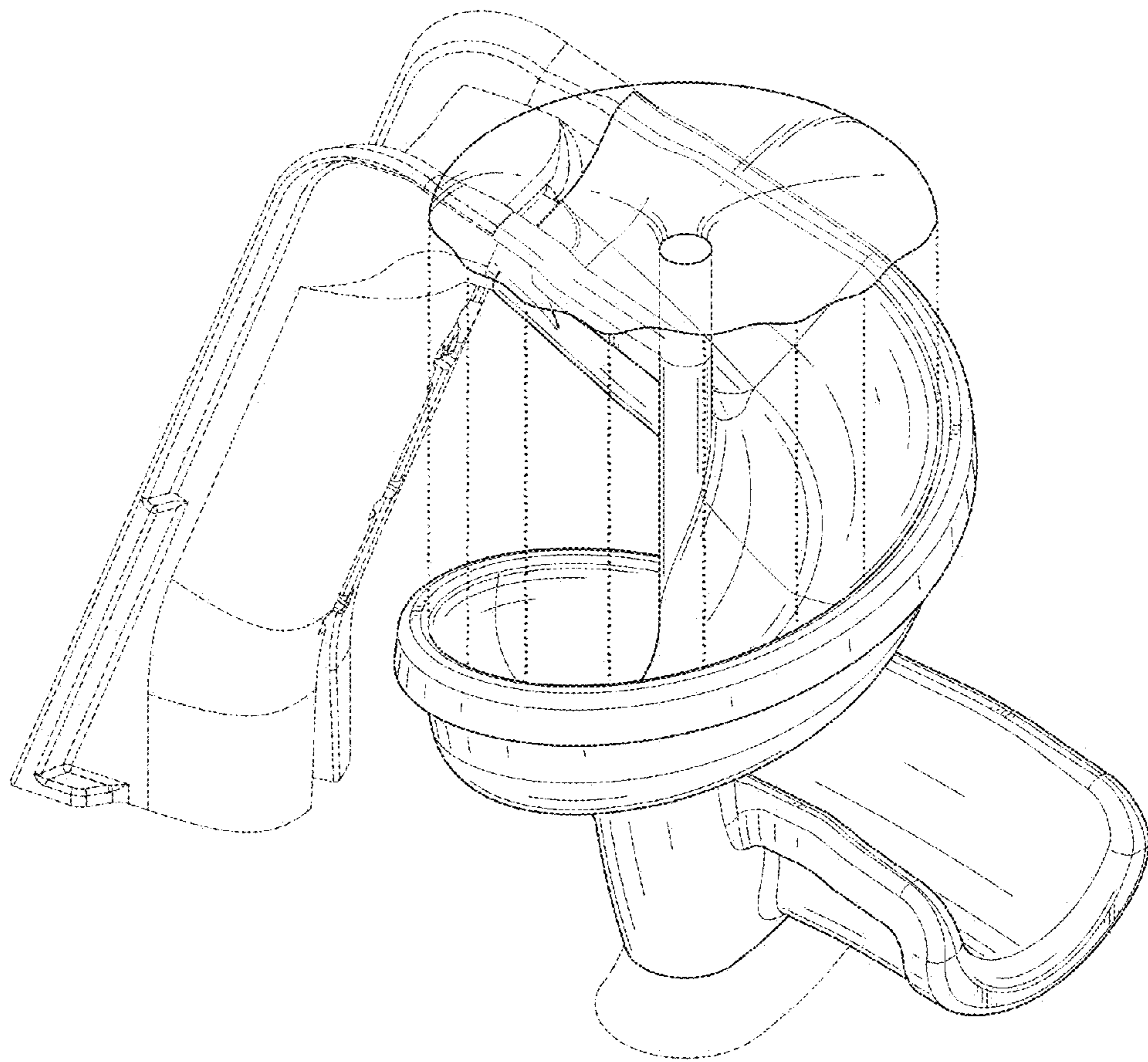


FIG. 1

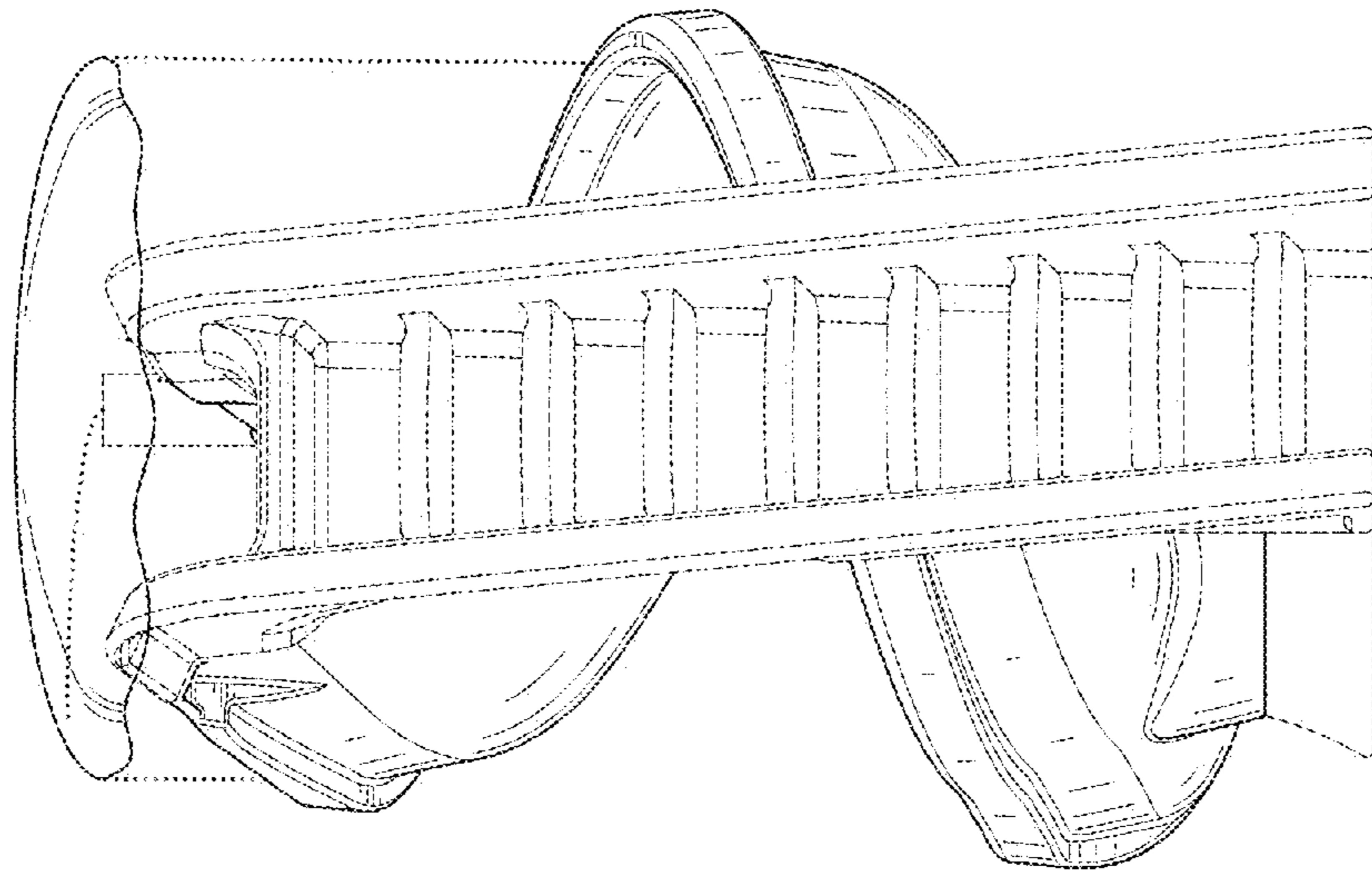


FIG. 3

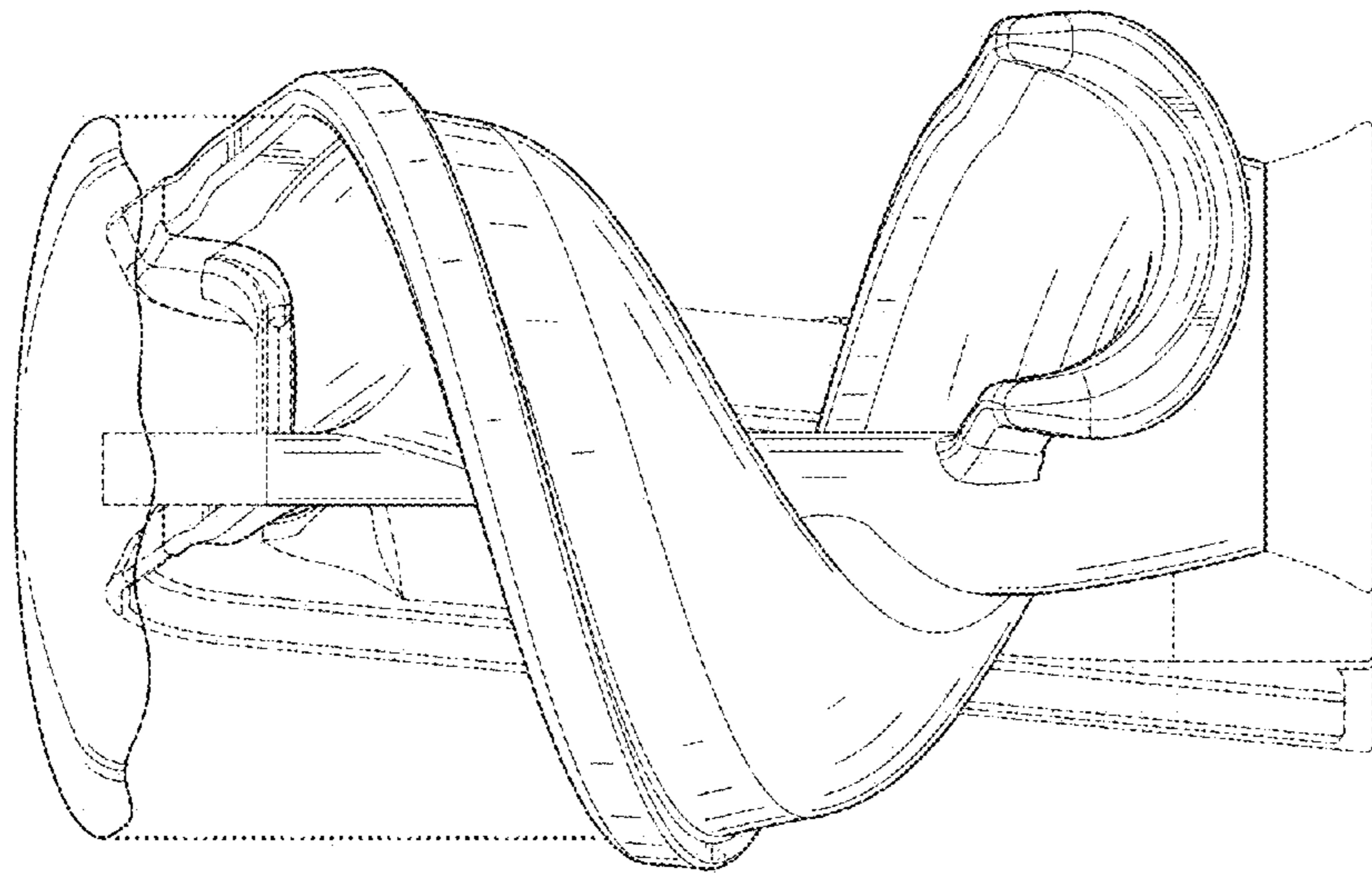


FIG. 2

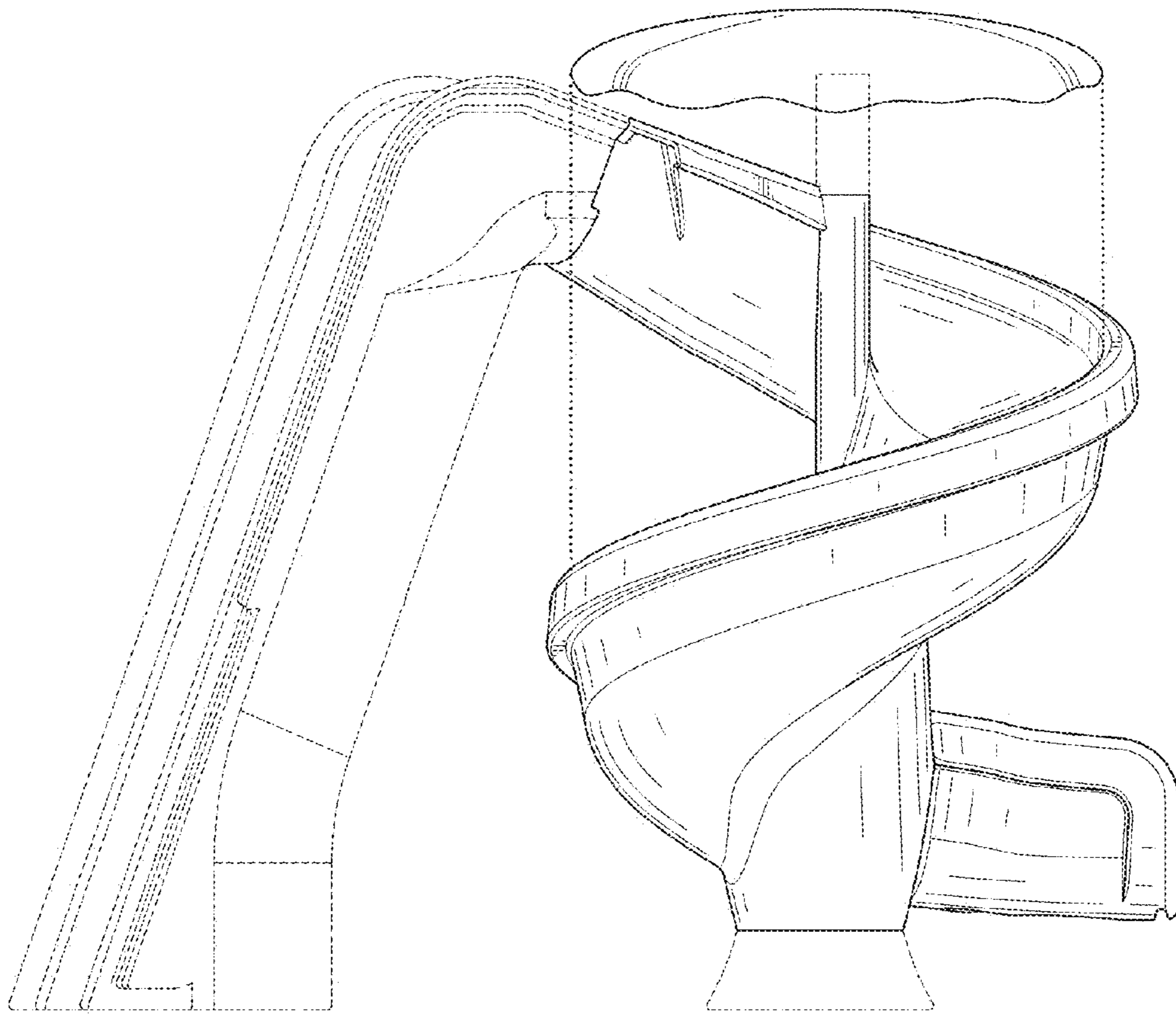


FIG. 4

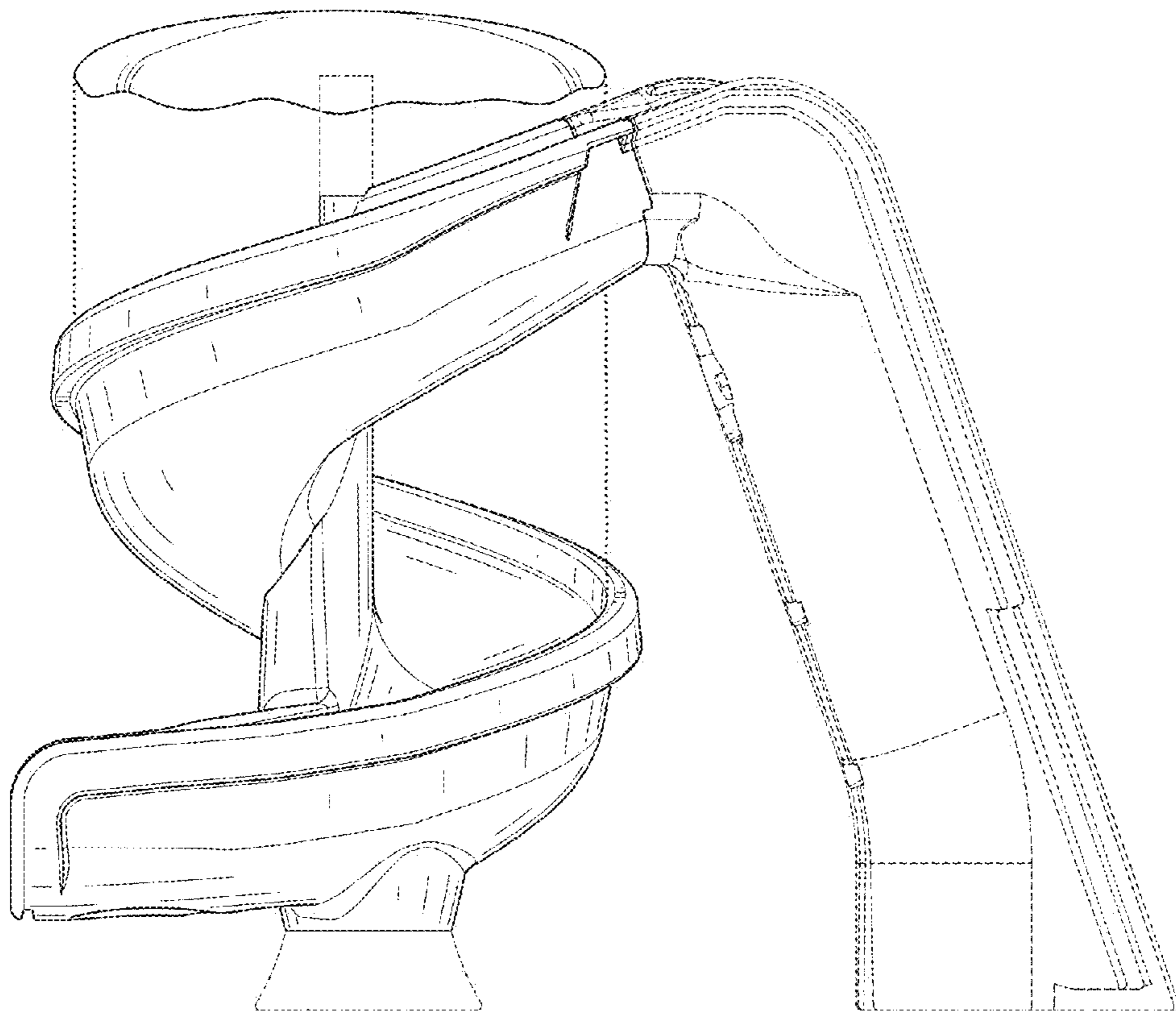


FIG. 5

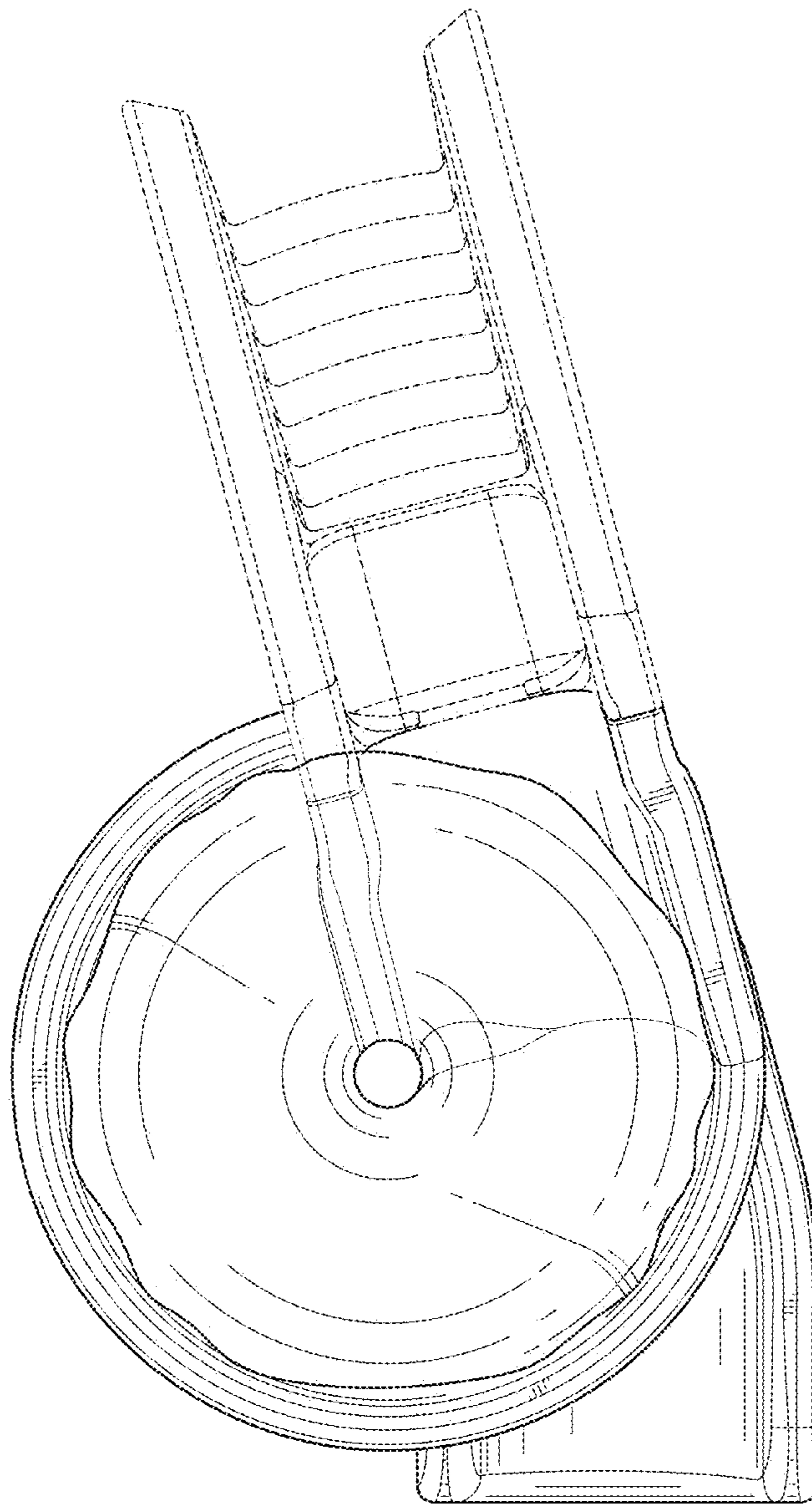


FIG. 6

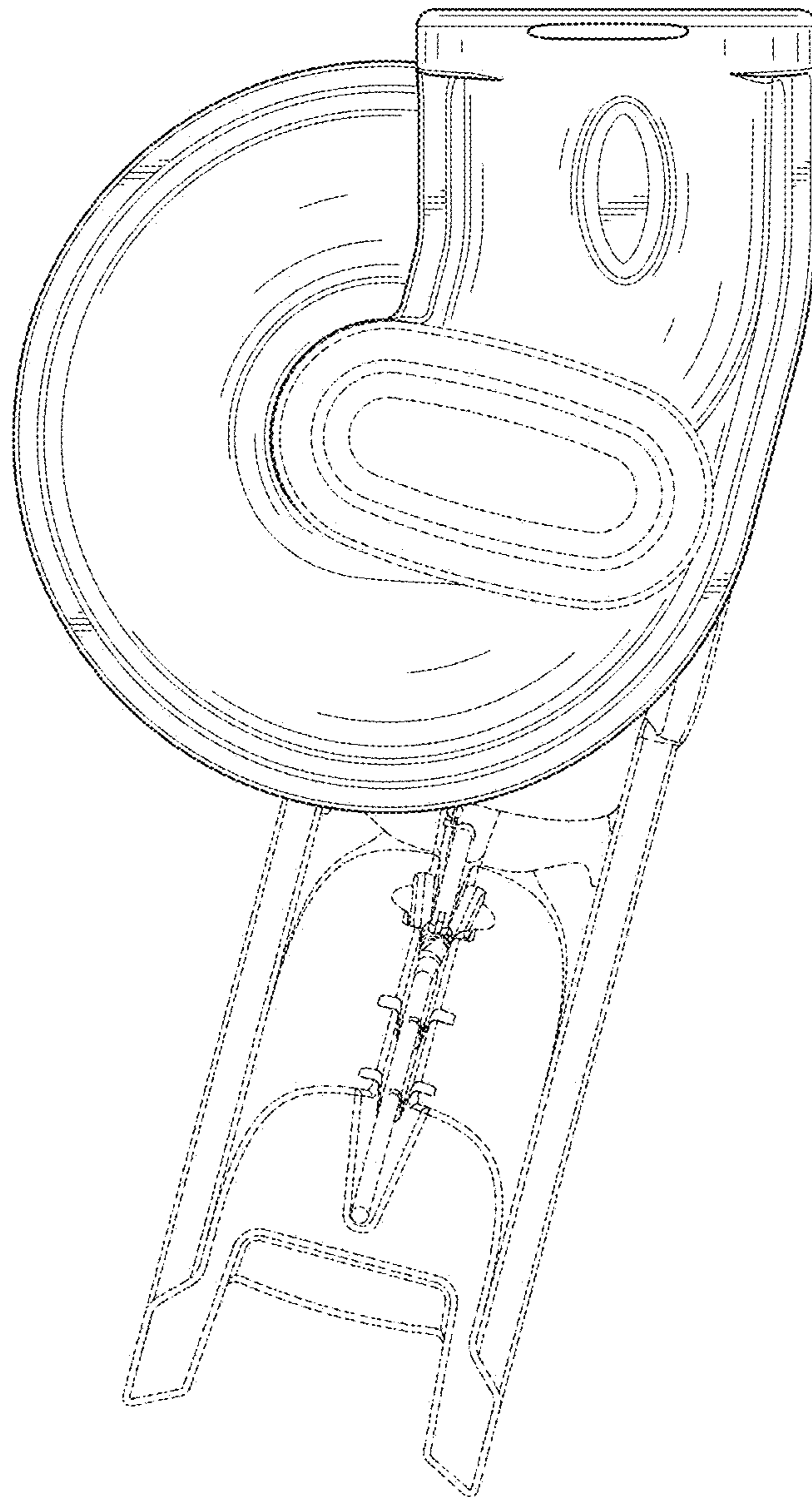


FIG. 7