

US00D760855S

(12) **United States Design Patent**
Enter

(10) **Patent No.:** **US D760,855 S**
(45) **Date of Patent:** **** Jul. 5, 2016**

(54) **GOLF CLUB LOFT AND LIE INSTRUCTIONAL TOOL**
(71) Applicant: **Gerald Enter**, Yulee, FL (US)
(72) Inventor: **Gerald Enter**, Yulee, FL (US)
(**) Term: **14 Years**
(21) Appl. No.: **29/523,289**
(22) Filed: **Apr. 8, 2015**
(51) **LOC (10) Cl.** **21-02**
(52) **U.S. Cl.**
USPC **D21/791**
(58) **Field of Classification Search**
USPC D21/789, 791
CPC A63B 60/42; A63B 2053/023; G01B 5/24;
G01B 5/0023
See application file for complete search history.

6,871,414 B2 * 3/2005 Burney A63B 60/42
33/508
7,172,513 B1 2/2007 Rinker
7,513,060 B2 * 4/2009 Souza A63B 60/42
33/508
7,874,930 B2 1/2011 Hubley
8,371,954 B1 2/2013 Anderson
2008/0076589 A1 3/2008 Tomomori

OTHER PUBLICATIONS

http://www.zoro.com/i/G5314172/?utm_source=google_shopping&utm_medium=cpc&utm_campaign=Google_Shopping_Feed&gclid=COLUwGscMCFdcRgQodzVkAzQ (Jun. 14, 2013).
http://www.bidorbuy.co.za/item/136989100/SMALL_MOUNTED_PROTRACTOR.html.

* cited by examiner

Primary Examiner — Mitchell Siegel
(74) *Attorney, Agent, or Firm* — Robert C. Montgomery; Montgomery Patent & Design LLP

(57) **CLAIM**

The ornamental design for a golf club loft and lie instructional tool, as shown and described.

DESCRIPTION

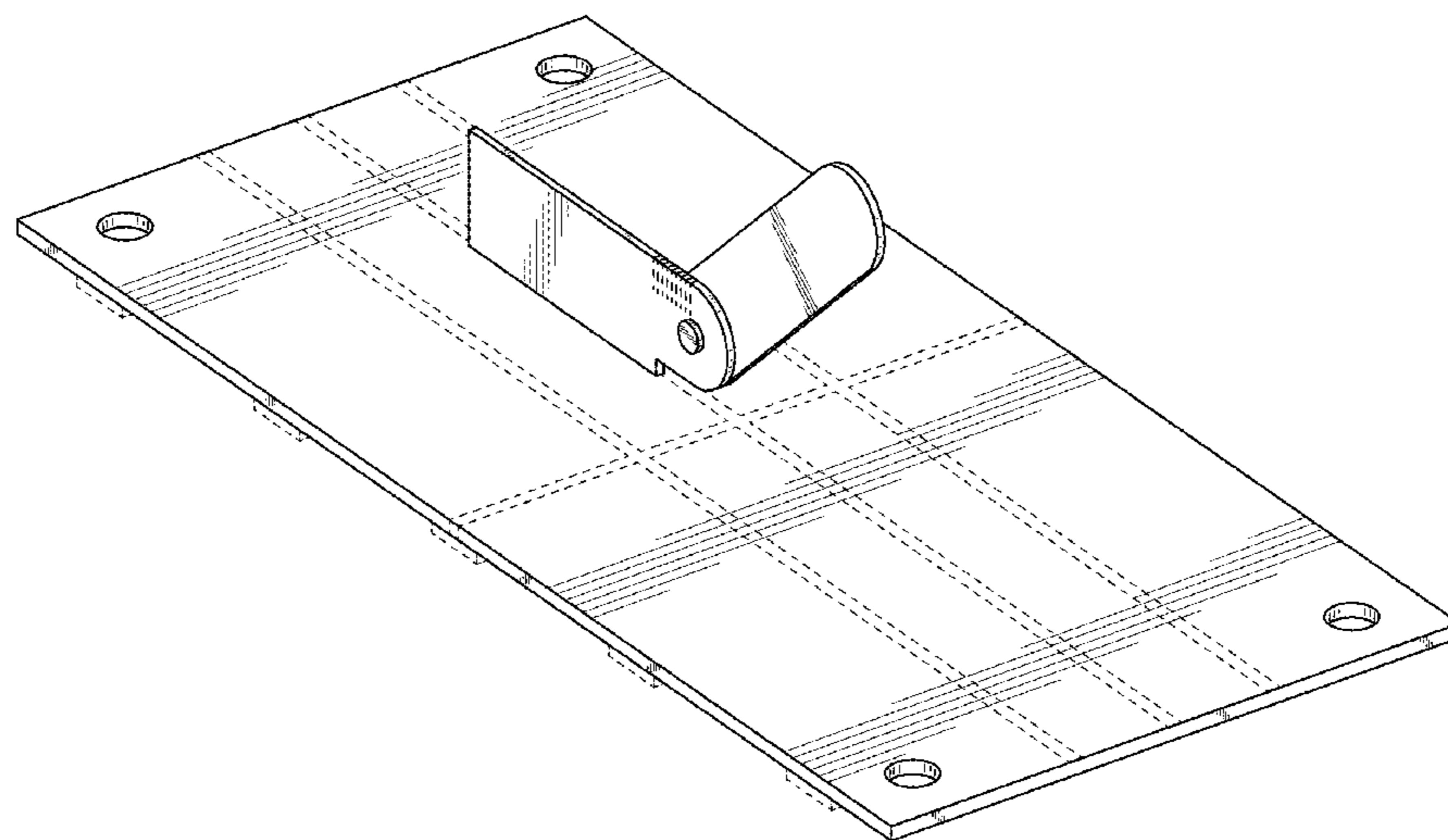
FIG. 1 is a perspective top right view of the golf club loft and lie instructional tool, showing my new design;
FIG. 2 is a perspective top left view thereof;
FIG. 3 is a perspective bottom right view thereof;
FIG. 4 is a front side view thereof;
FIG. 5 is a back side view thereof;
FIG. 6 is a left side view thereof;
FIG. 7 is a right side view thereof;
FIG. 8 is a top side view thereof; and,
FIG. 9 is a bottom side view thereof.
The dashed lines indicate boundary areas and are not part of the claimed design.

1 Claim, 9 Drawing Sheets

(56) **References Cited**

U.S. PATENT DOCUMENTS

4,817,294 A * 4/1989 Lai G01B 5/24
33/508
4,858,332 A * 8/1989 Thomas G01B 5/24
33/1 N
5,421,098 A * 6/1995 Muldoon G01B 5/0023
33/334
5,884,409 A * 3/1999 Muldoon G01B 5/24
33/508
6,260,250 B1 * 7/2001 Hall A63B 60/42
269/285
6,363,620 B1 * 4/2002 Goodjohn G01B 5/0023
33/508
6,430,829 B1 * 8/2002 Williamson A63B 53/00
33/508
6,449,860 B1 * 9/2002 Nakai G01B 5/0023
33/508
6,754,970 B2 * 6/2004 Daniels A63B 60/42
33/508



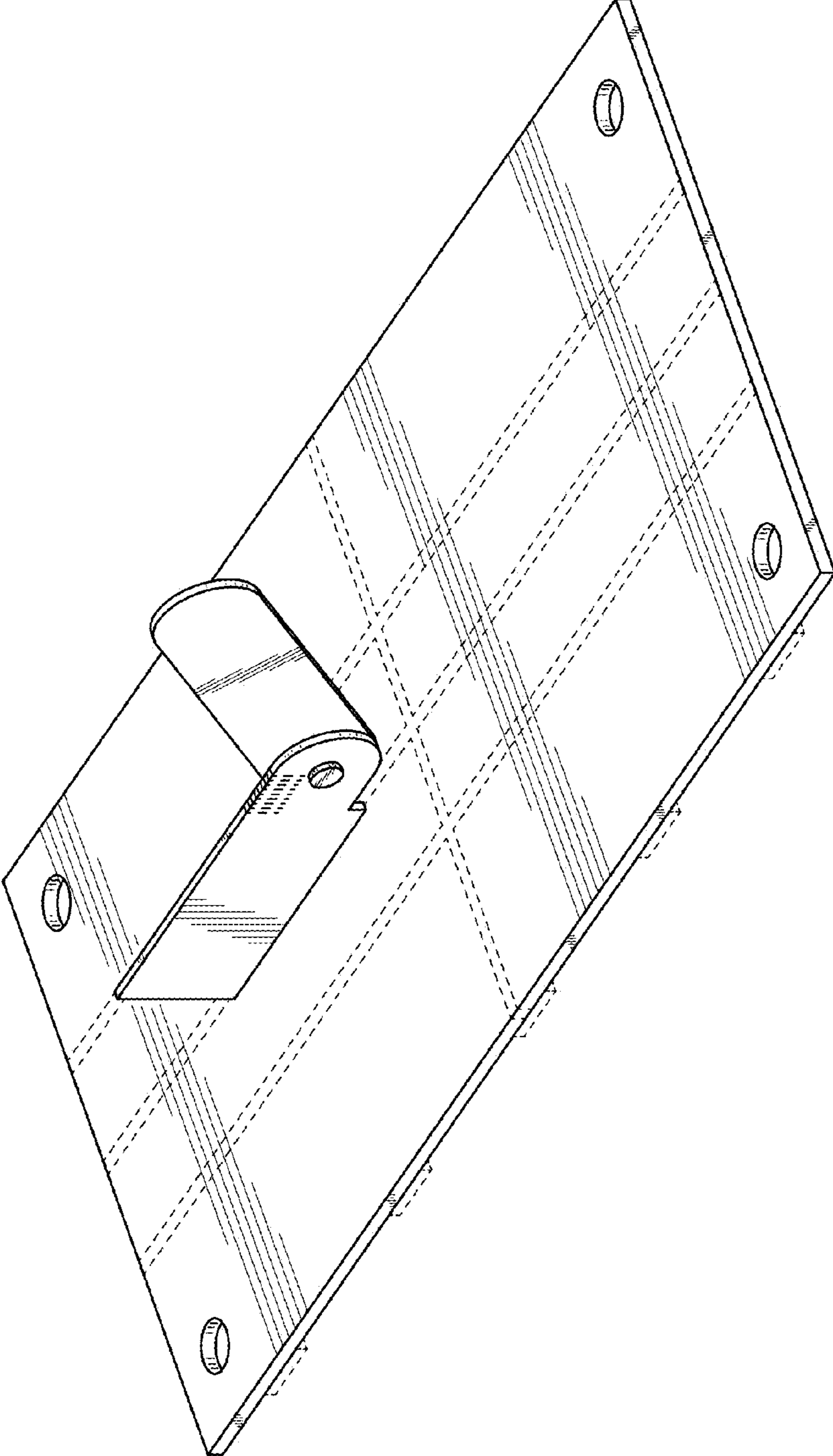


Fig. 1

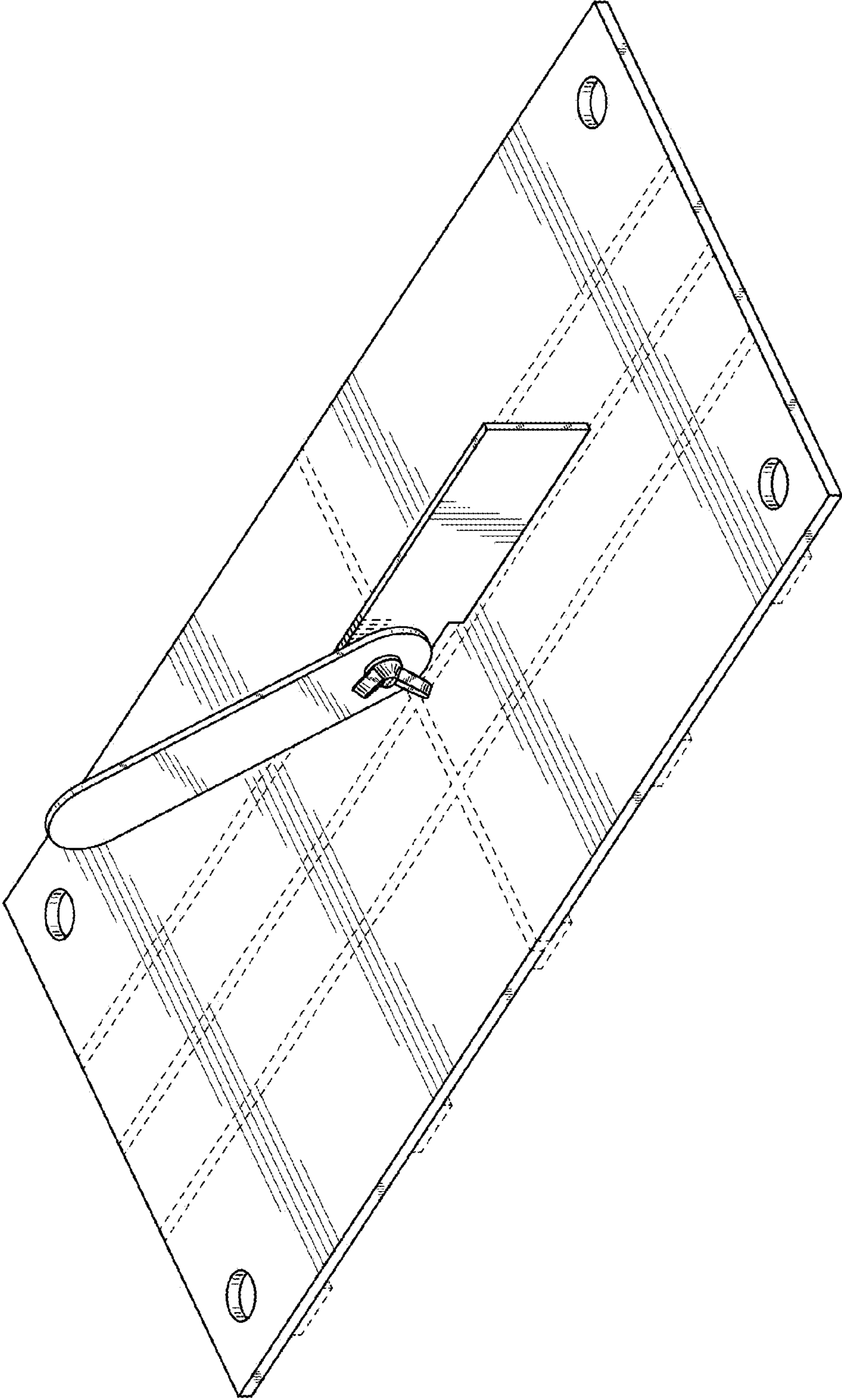


Fig. 2

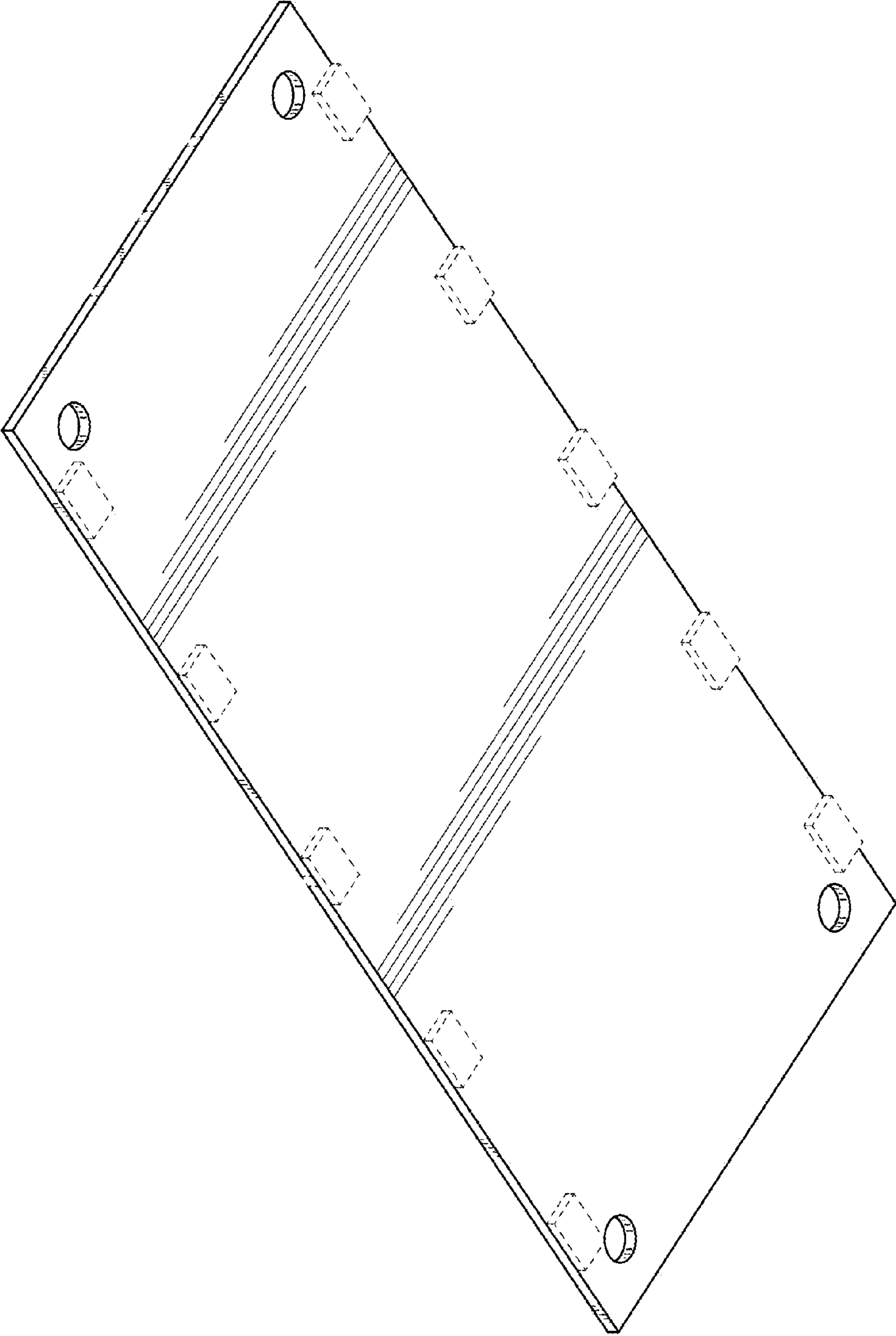


Fig. 3

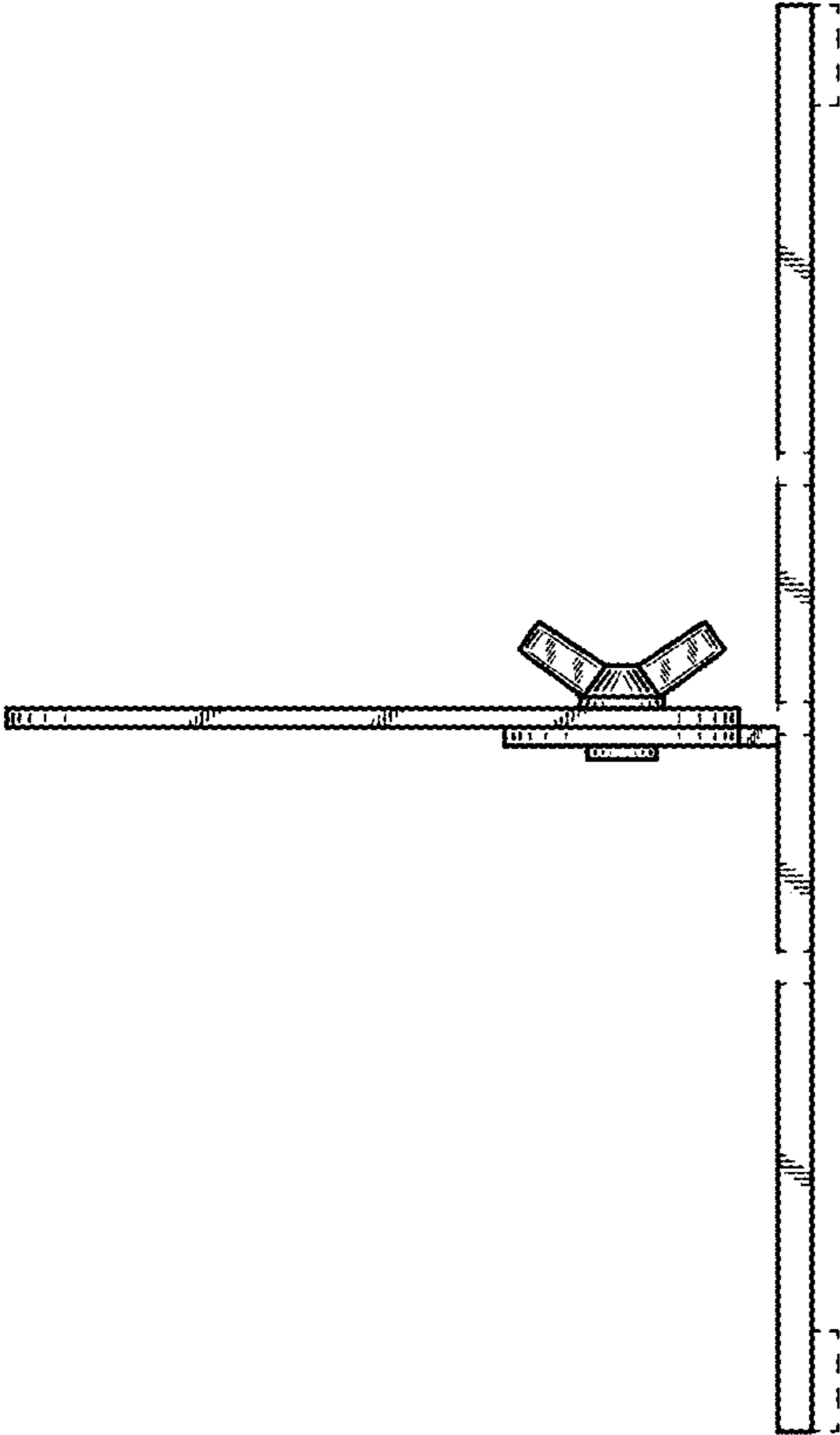


Fig. 4

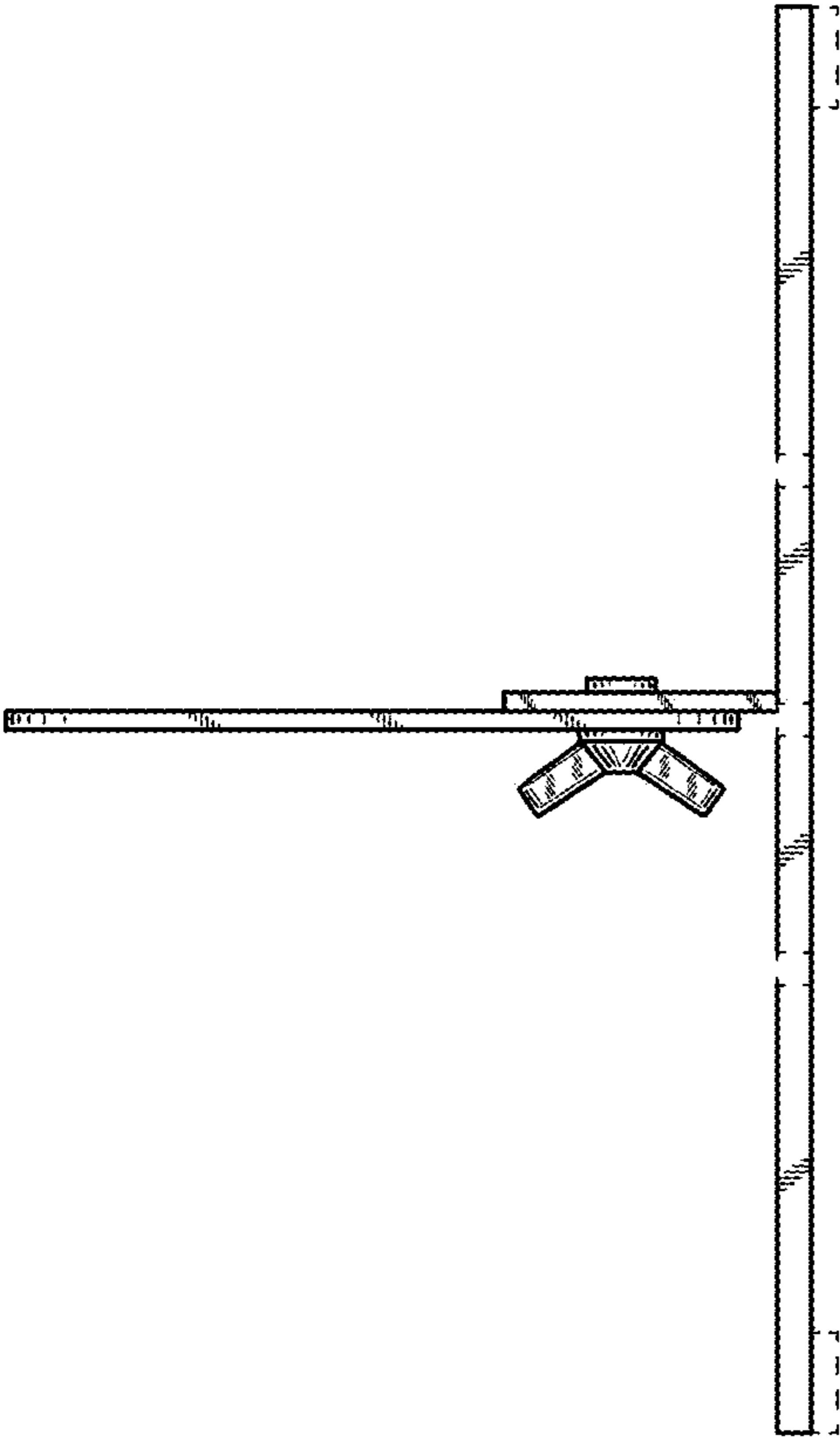


Fig. 5

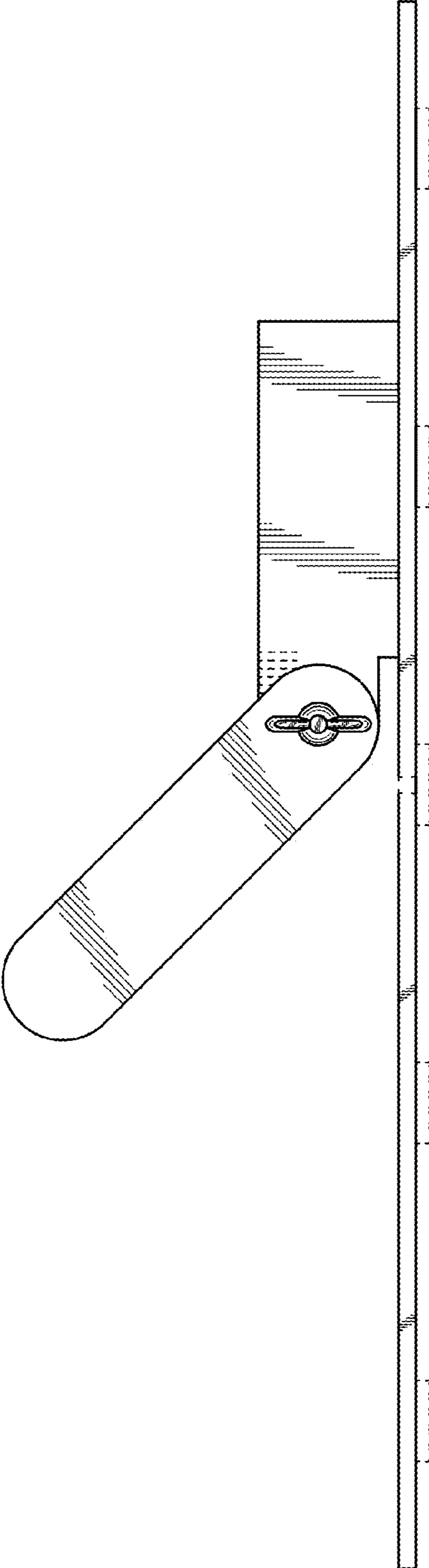


Fig. 6

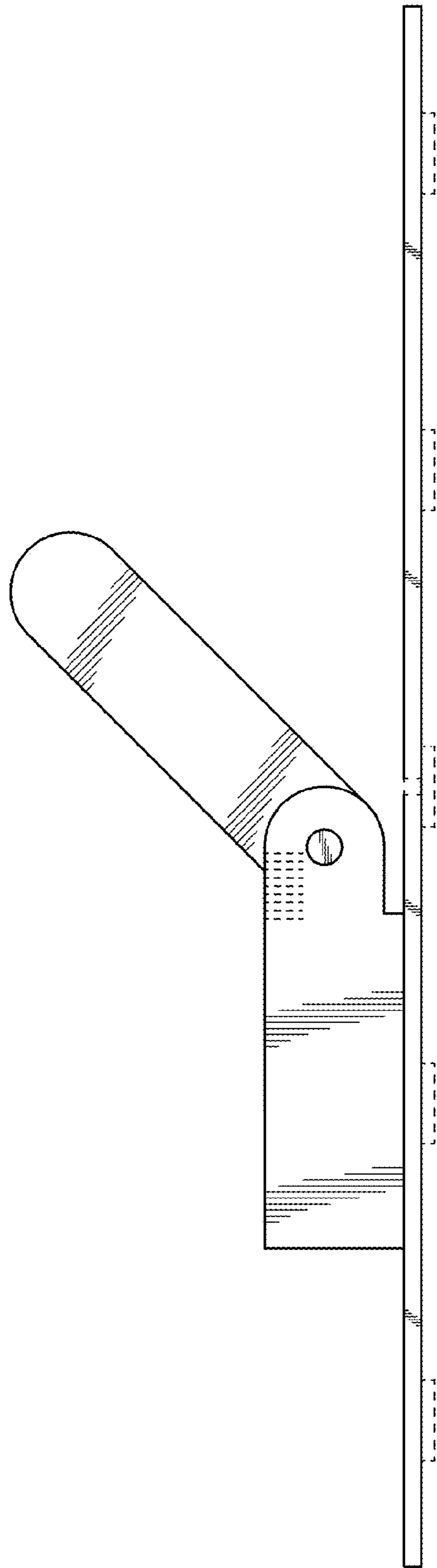


Fig. 7

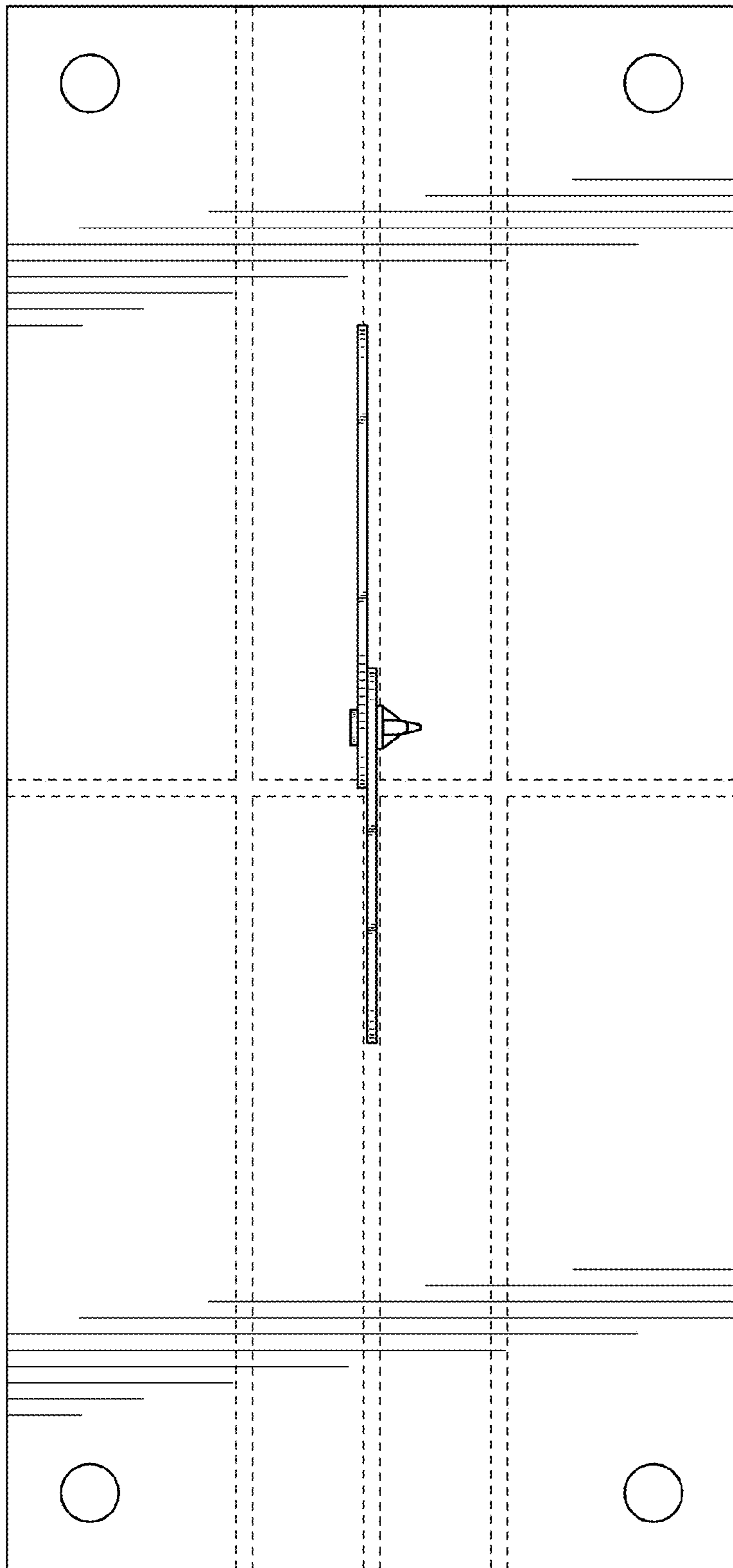


Fig. 8

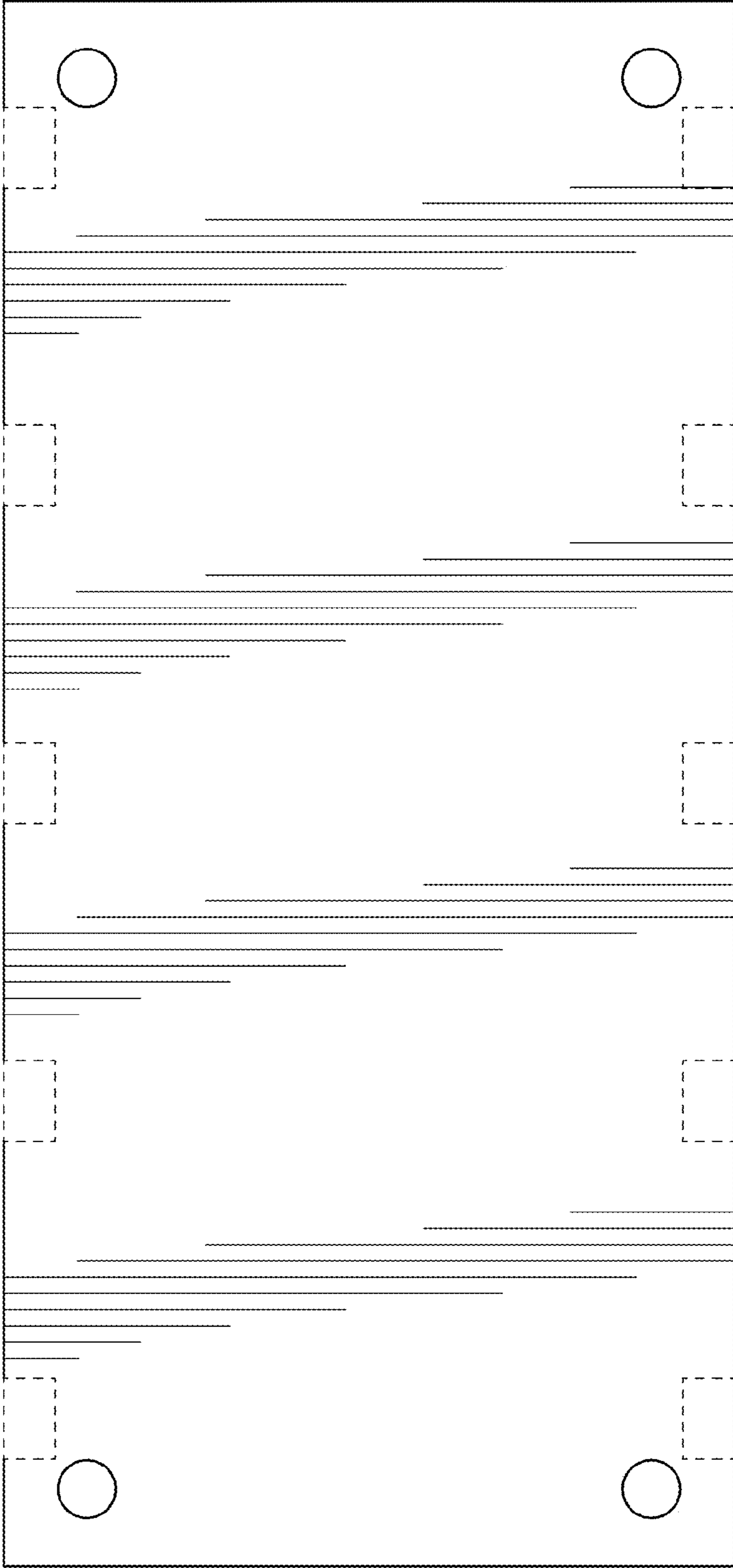


Fig. 9