

US00D760851S

(12) **United States Design Patent**  
**Cummings**

(10) **Patent No.:** **US D760,851 S**  
(45) **Date of Patent:** **\*\* Jul. 5, 2016**

(54) **POSABLE TOY CHARACTER**

(71) Applicant: **Peter John Cummings**, Kowloon (HK)

(72) Inventor: **Peter John Cummings**, Kowloon (HK)

(73) Assignee: **KMA CONCEPTS LIMITED**, TST,  
Kowloon (HK)

(\*\*) Term: **14 Years**

(21) Appl. No.: **29/526,317**

(22) Filed: **May 8, 2015**

**Related U.S. Application Data**

(63) Continuation-in-part of application No. 14/658,124,  
filed on Mar. 13, 2015.

(30) **Foreign Application Priority Data**

Jan. 16, 2015 (CN) ..... 2015 2 0030232

(51) **LOC (10) Cl.** ..... **21-01**

(52) **U.S. Cl.**  
USPC ..... **D21/578**

(58) **Field of Classification Search**  
USPC ..... D21/578-583, 621, 622; 446/268-274,  
446/279, 280, 285, 289-292, 294, 297-303,  
446/353-355, 376-384; D15/199;  
318/568.11, 568.12, 568.2

CPC ..... B25J 9/00  
See application file for complete search history.

(56) **References Cited**

U.S. PATENT DOCUMENTS

D204,394 S *	4/1966	Wendt .....	D21/578
D312,283 S *	11/1990	Fenton .....	D21/580
D389,203 S *	1/1998	Glickman .....	D21/578
D474,514 S *	5/2003	Price .....	D21/594
D536,044 S *	1/2007	Ban .....	D21/578
D593,164 S *	5/2009	Sonoda .....	D21/578
D639,354 S *	6/2011	Weeks	
D739,480 S *	9/2015	Hernandez Ortega .....	D15/199

\* cited by examiner

*Primary Examiner* — Zenia Bennett

(74) *Attorney, Agent, or Firm* — LaMorte & Associates, P.C.

(57) **CLAIM**

The ornamental design for a posable toy character, as shown and described.

**DESCRIPTION**

FIG. 1 is a perspective view of a posable toy character in a first pose;

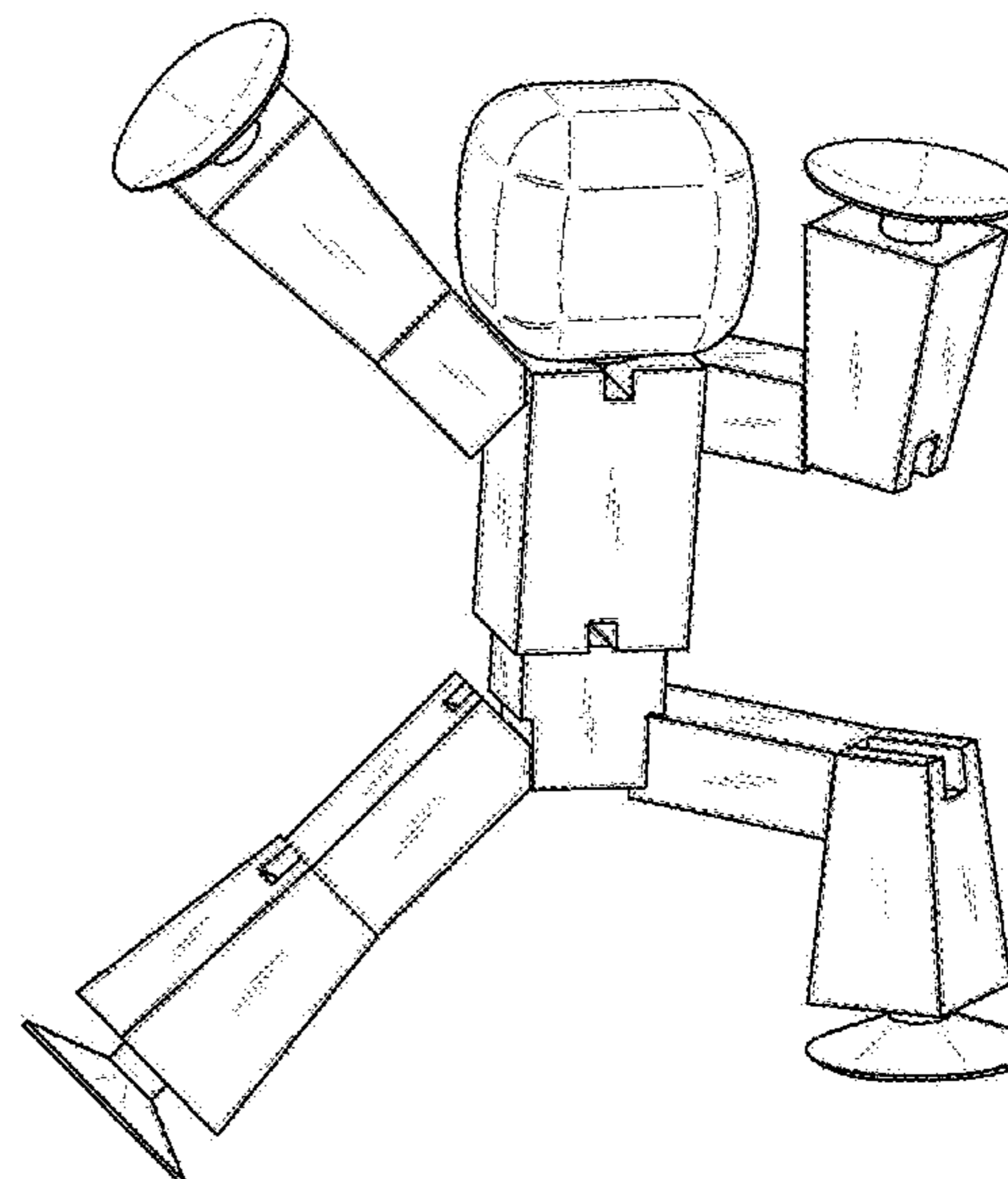
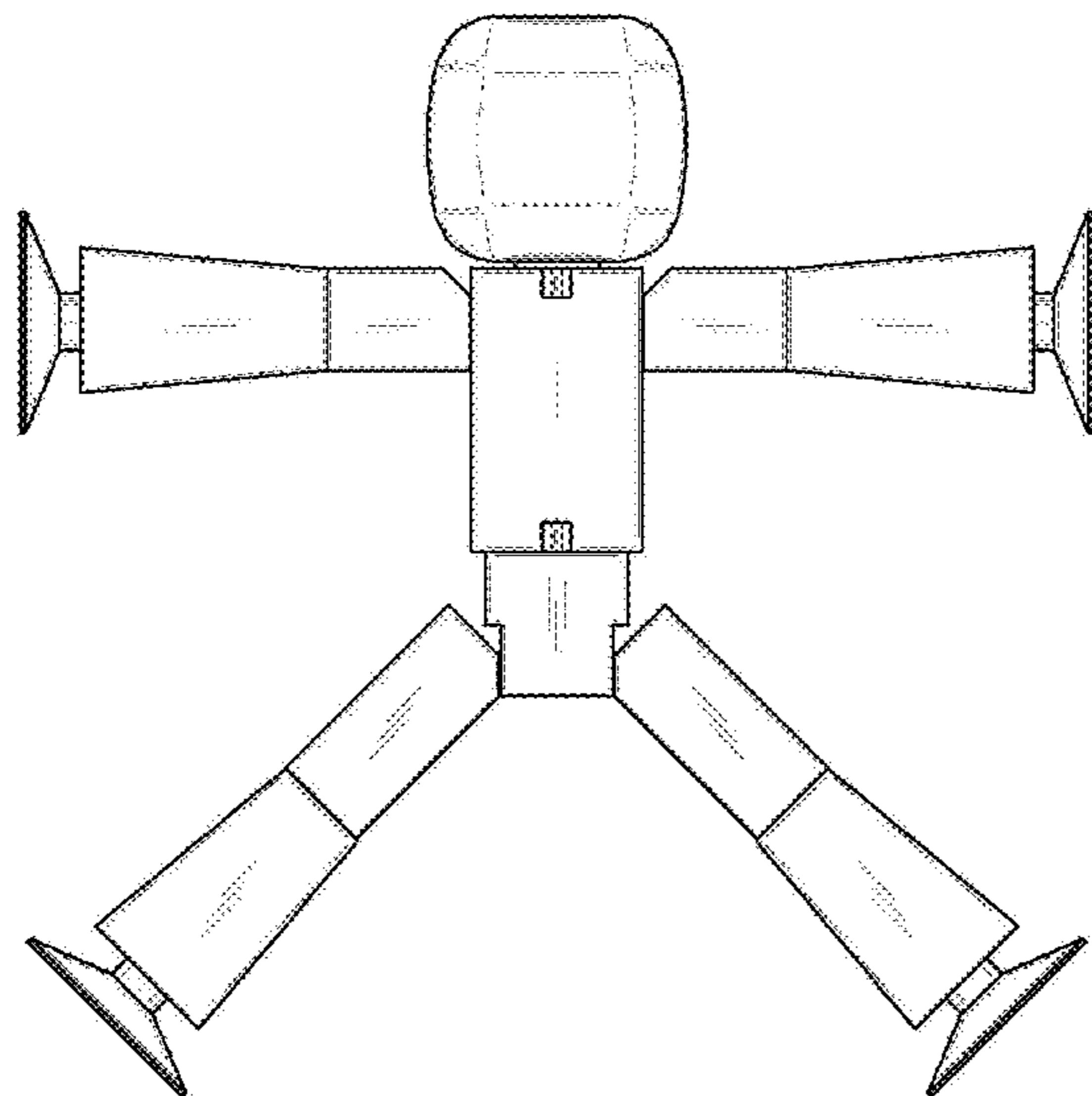
FIG. 2 is a front view thereof, the rear view being the same; FIG. 3 is a right side view thereof, the left side view being the same;

FIG. 4 is a top view thereof;

FIG. 5 is a bottom view thereof; and,

FIG. 6 is a perspective view of the posable toy character in a second pose.

**1 Claim, 6 Drawing Sheets**



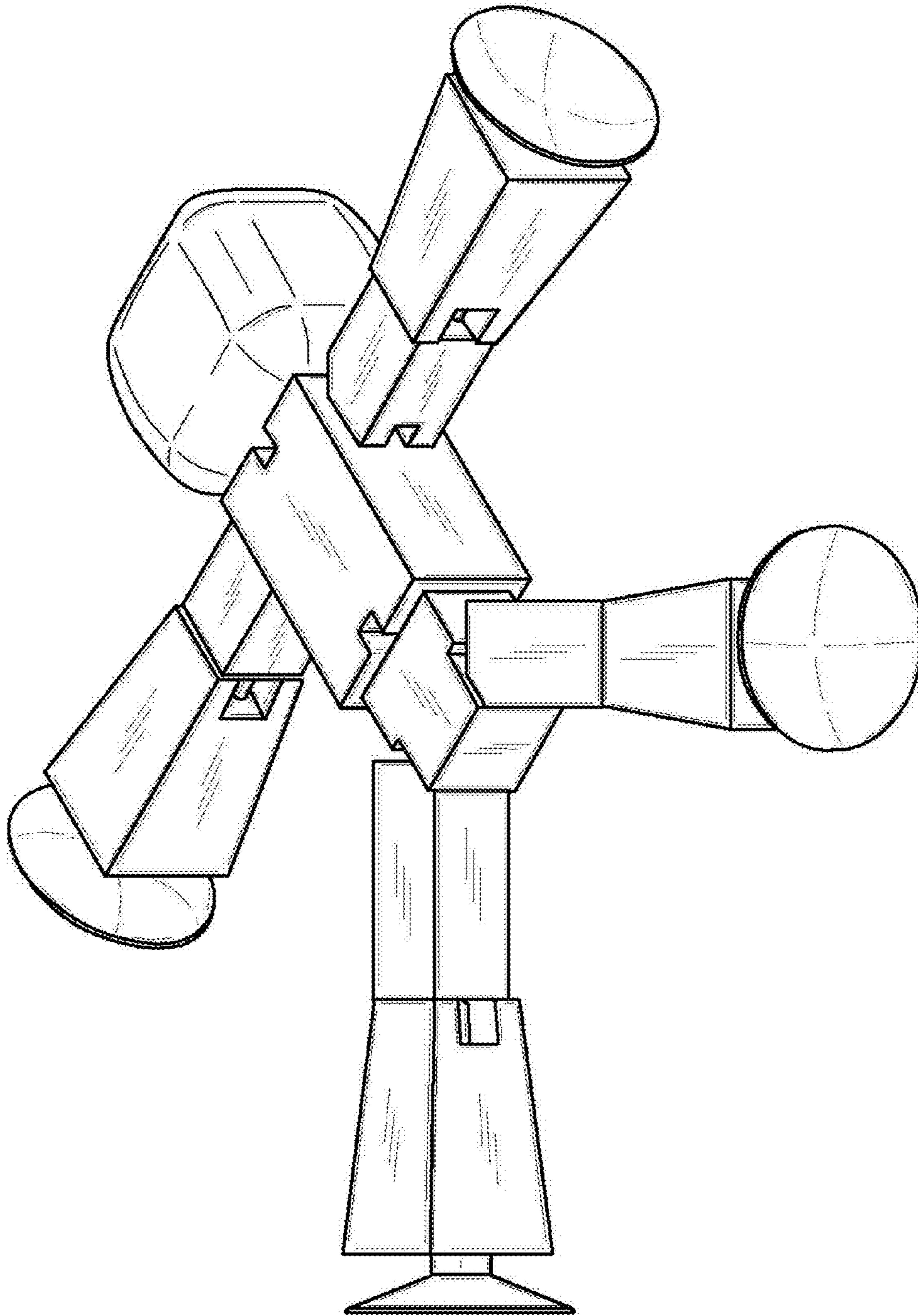


FIG. 1

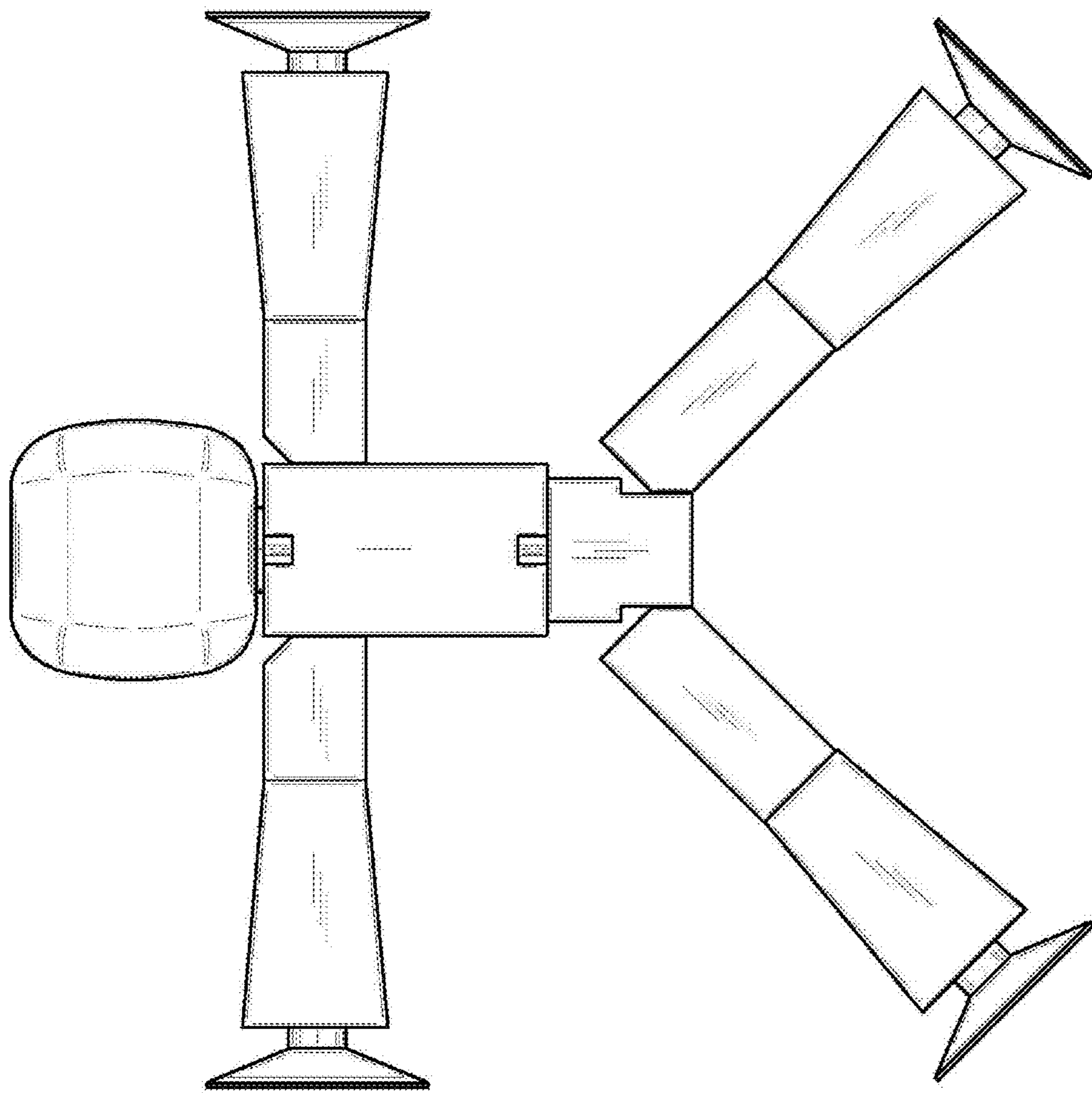


FIG. 2

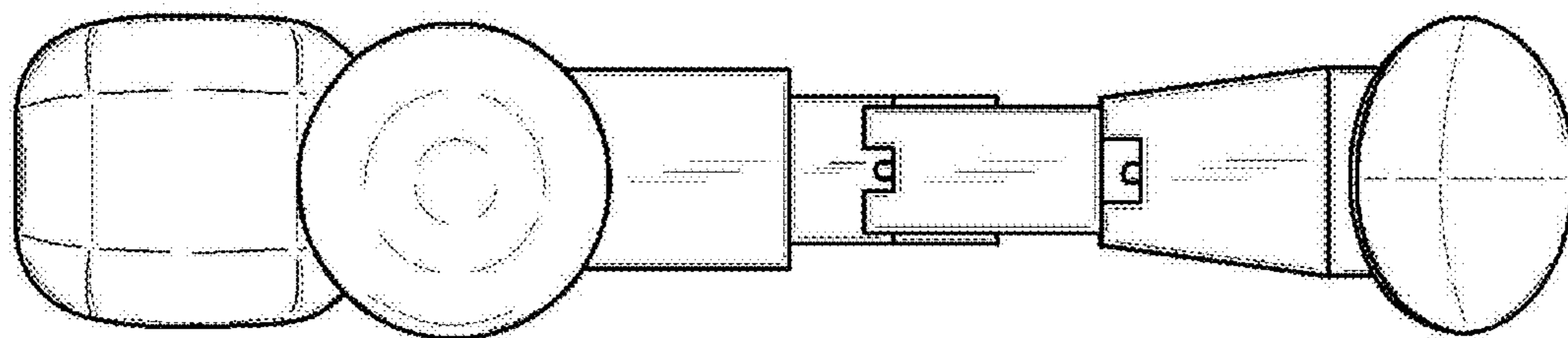


FIG. 3



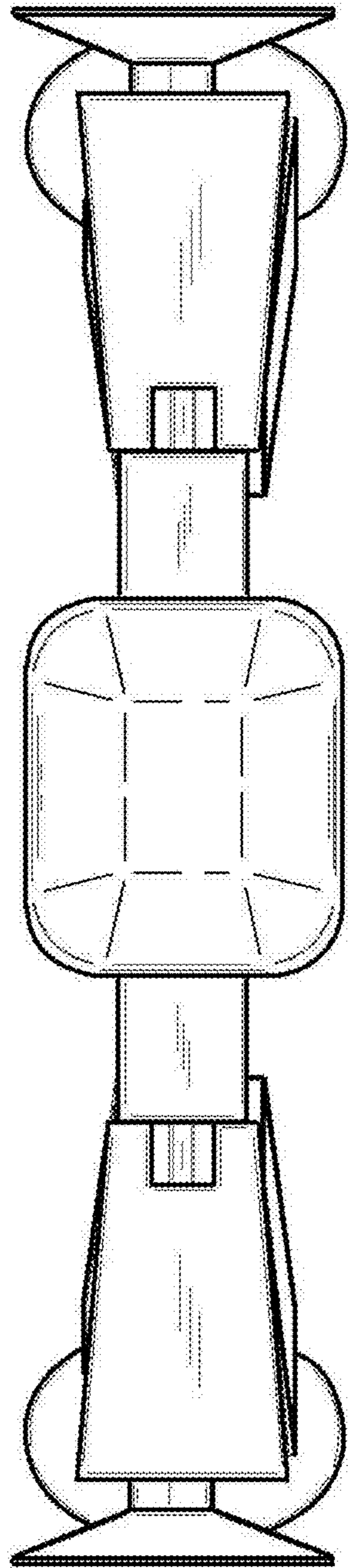


FIG. 4

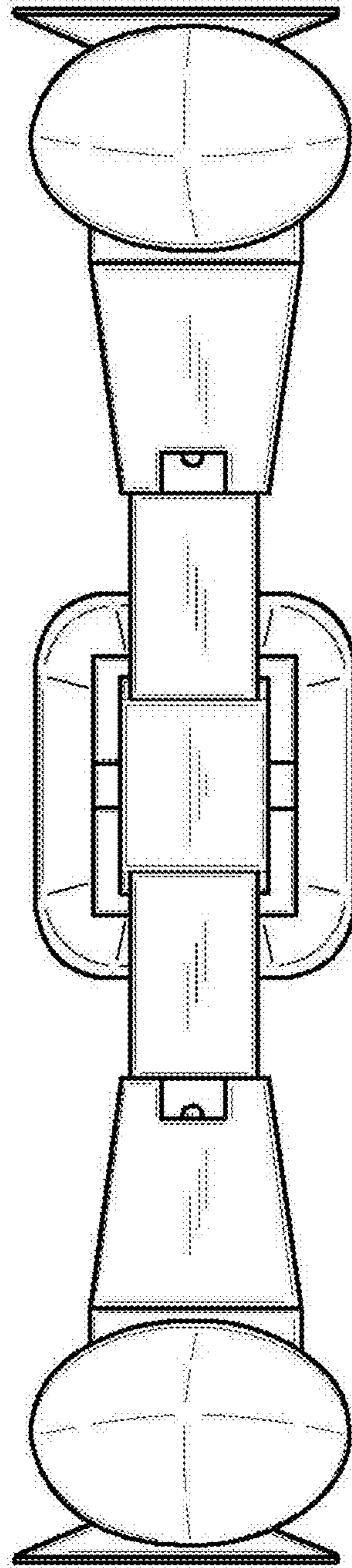


FIG. 5

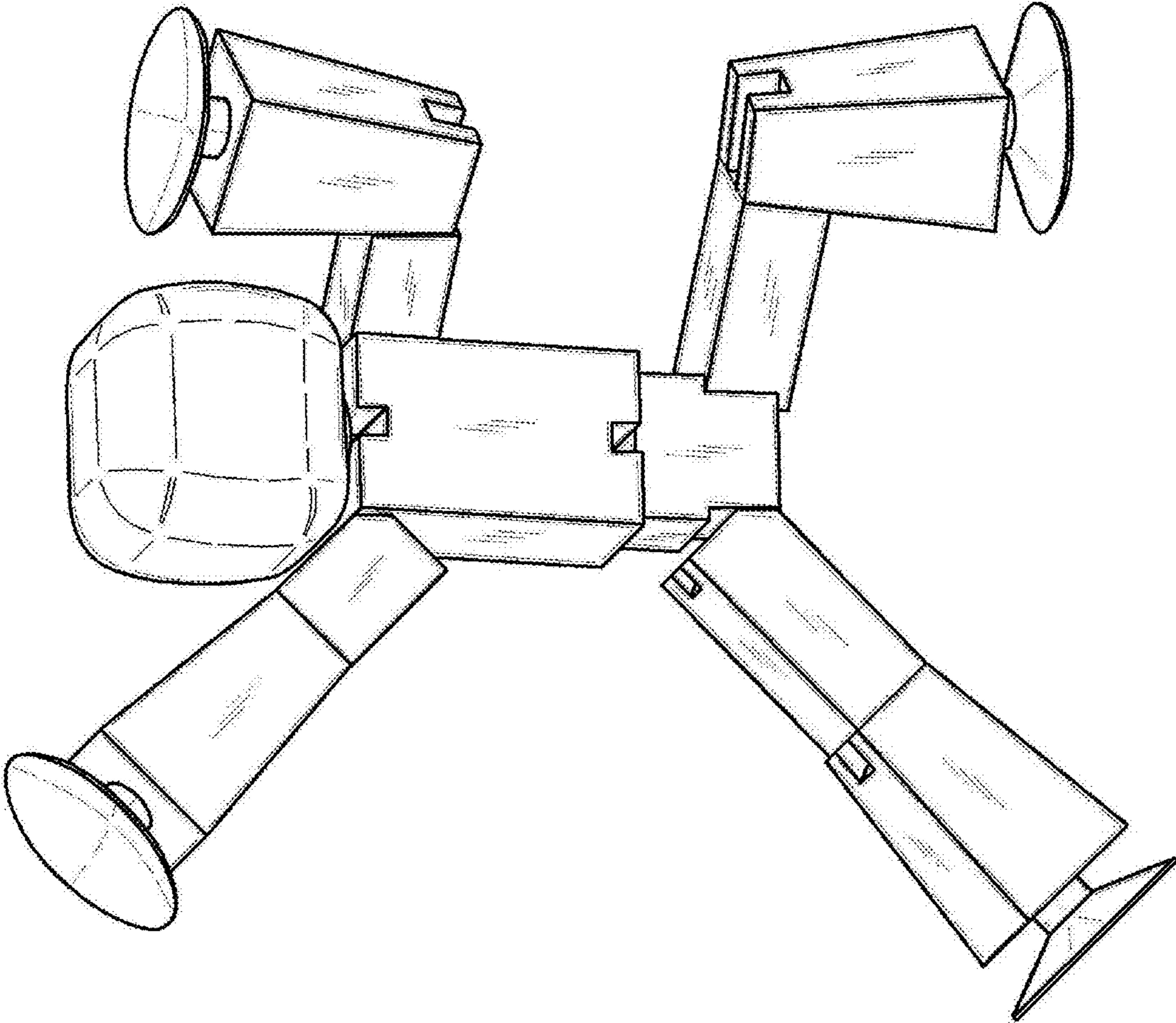


FIG. 6