



US00D760850S

(12) **United States Design Patent**
Kozeki

(10) **Patent No.:** **US D760,850 S**
(45) **Date of Patent:** **** Jul. 5, 2016**

(54) **JOINT FOR TOY CONSTRUCTION SET**

(71) Applicant: **BUSYU KOGYO CO., LTD.**, Tokyo
(JP)

(72) Inventor: **Ryuichi Kozeki**, Tokyo (JP)

(73) Assignee: **BUSYU KOGYO CO., LTD.**, Tokyo
(JP)

(**) Term: **14 Years**

(21) Appl. No.: **29/497,289**

(22) Filed: **Jul. 23, 2014**

(30) **Foreign Application Priority Data**

Jan. 24, 2014	(JP)	2014-001302
Jan. 24, 2014	(JP)	2014-001303
Jan. 24, 2014	(JP)	2014-001304
Jan. 24, 2014	(JP)	2014-001305
Jan. 24, 2014	(JP)	2014-001306

(51) **LOC (10) Cl.** **21-01**

(52) **U.S. Cl.**
USPC **D21/487**

(58) **Field of Classification Search**
USPC D21/49-495, 500-505; D8/354, 382;
446/69, 89, 92, 102-128; 434/259,
434/208, 403; 52/503; 273/153, 156, 160
CPC A63H 33/00; A63H 33/04; A63H 33/06;
A63H 33/08; A63H 33/10; A63H 33/12;
A63H 33/14; A63F 9/08; A63F 9/12; G09B
1/36

See application file for complete search history.

(56) **References Cited**

U.S. PATENT DOCUMENTS

D174,950 S	*	6/1955	Frishberg	446/111
D174,951 S	*	6/1955	Frishberg	446/111
D278,834 S	*	5/1985	Satoh	D19/62

D286,168 S	*	10/1986	Mazzoleni	D21/484
D311,680 S	*	10/1990	Miall	D8/382
D355,843 S	*	2/1995	Kuwata	D8/382
D367,897 S	*	3/1996	Schmidt	D21/486
D384,986 S	*	10/1997	Schmidt	D21/503

(Continued)

FOREIGN PATENT DOCUMENTS

JP	1207162 S	6/2004
JP	1213598 S	8/2004

Primary Examiner — Cynthia M Chin

(74) *Attorney, Agent, or Firm* — Cermak Nakajima & McGowan LLP; Tomoko Nakajima

(57) **CLAIM**

The ornamental design for a joint for toy construction set, as shown and described.

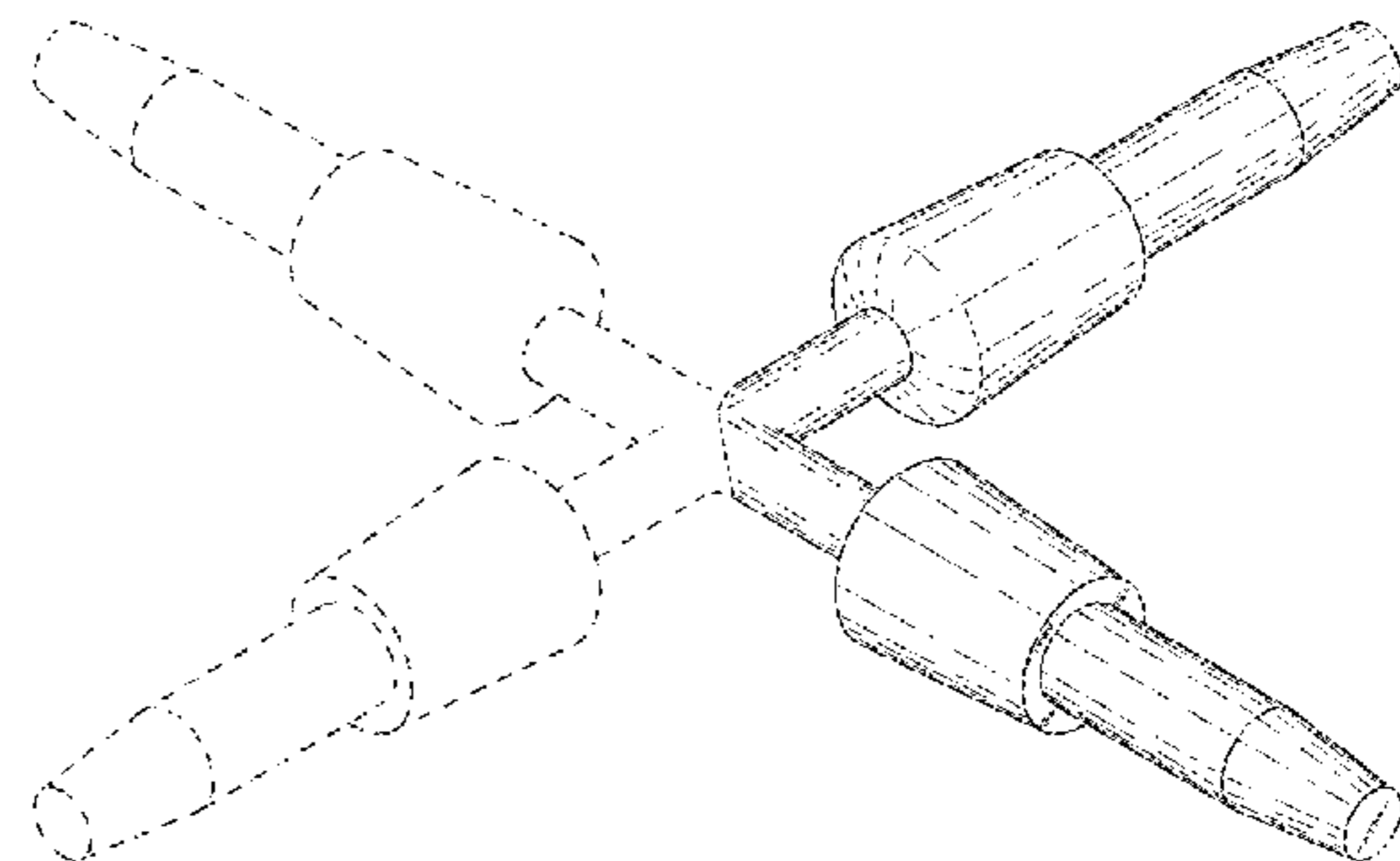
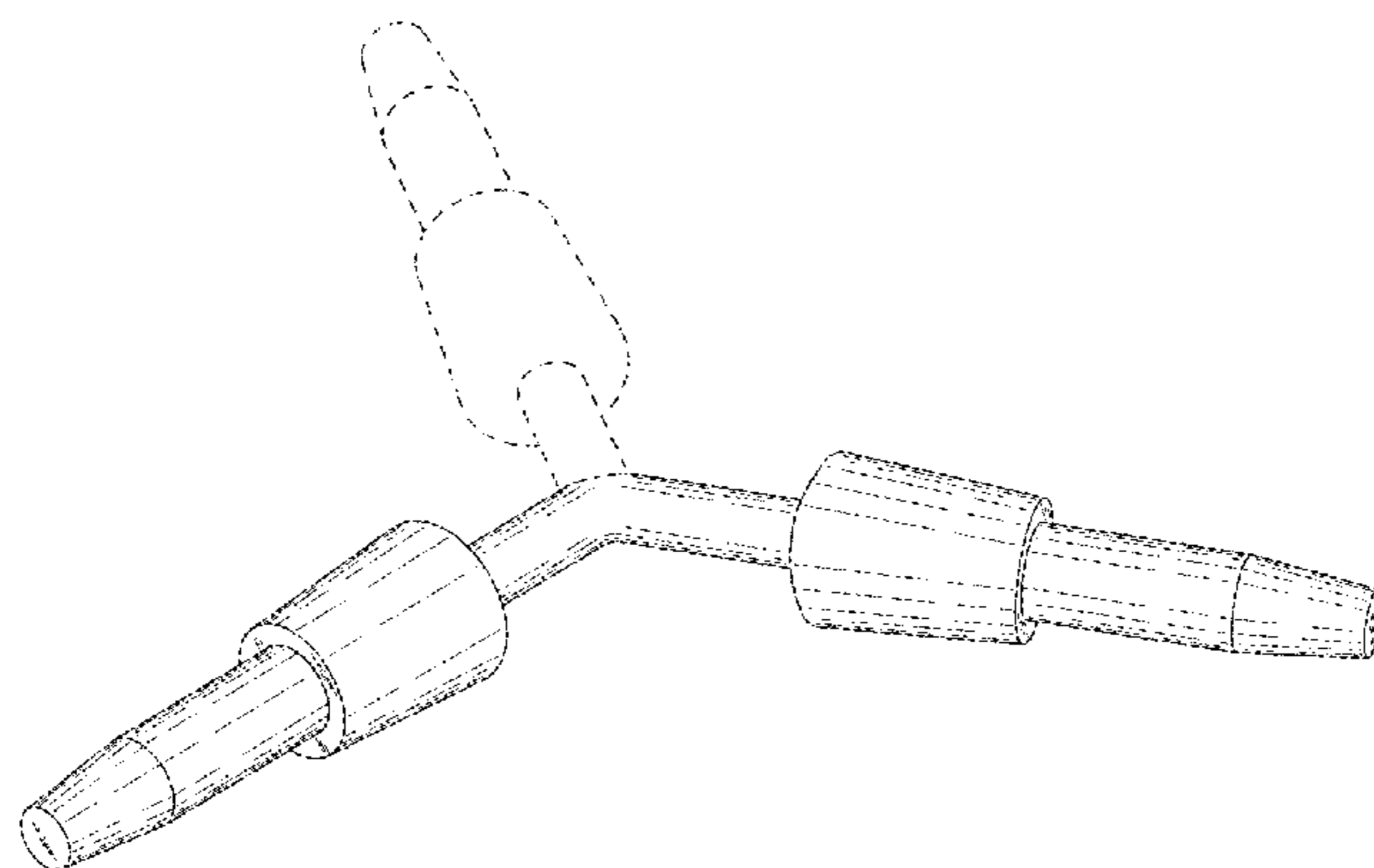
DESCRIPTION

FIG. 1 is a front elevational view of a first embodiment of a joint for toy construction set showing my new design; FIG. 2 is a top plan view thereof; FIG. 3 is a right side elevational view thereof; FIG. 4 is a left side elevational view thereof; FIG. 5 is a rear elevational view thereof; and FIG. 6 is a bottom plan view thereof; and FIG. 7 is a perspective view thereof.

FIG. 8 is a front elevational view of a second embodiment of a joint for toy construction set showing my new design; FIG. 9 is a top plan view thereof; FIG. 10 is a right side elevational view thereof; FIG. 11 is a left side elevational view thereof; FIG. 12 is a rear elevational view thereof; and FIG. 13 is a bottom plan view thereof; and FIG. 14 is a perspective view thereof.

The dash-dot broken lines immediately adjacent the shaded areas represent the bounds of the claim and all other broken lines represent unclaimed portions of the design. None of the broken lines form a part of the claimed design.

1 Claim, 14 Drawing Sheets



(56)

References Cited

U.S. PATENT DOCUMENTS

D384,987 S *	10/1997	Schmidt	D21/503	D550,307 S *	9/2007	Glickman	D21/484
D384,988 S *	10/1997	Schmidt	446/126	D686,675 S *	7/2013	Jensen	D21/487
D387,399 S *	12/1997	Schmidt	D21/487	D690,370 S *	9/2013	Macadam	D21/487
D409,083 S *	5/1999	Bernstein	D8/382	D707,305 S *	6/2014	Norman	D21/503
D409,677 S *	5/1999	Jensen	D21/486	D711,972 S *	8/2014	Norman	D21/487
D510,753 S *	10/2005	Paterson	D21/484	D711,973 S *	8/2014	Norman	D21/487
				D711,977 S *	8/2014	Norman	D21/503
				D724,676 S *	3/2015	Winkelmann	D21/484
				D728,697 S *	5/2015	Gutierrez	D21/487

* cited by examiner

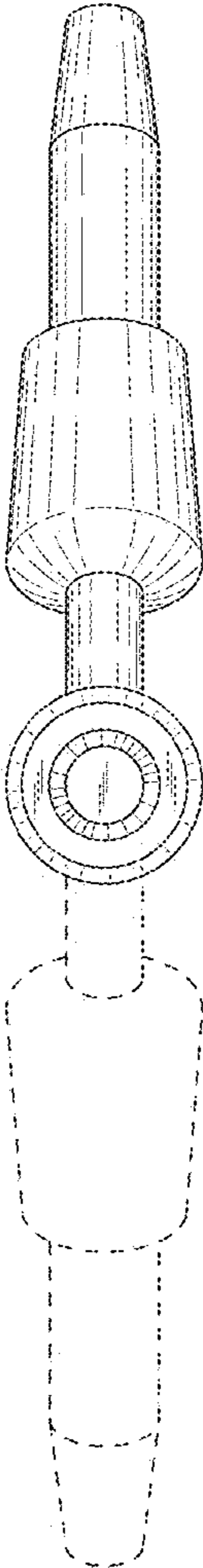


FIG. 1

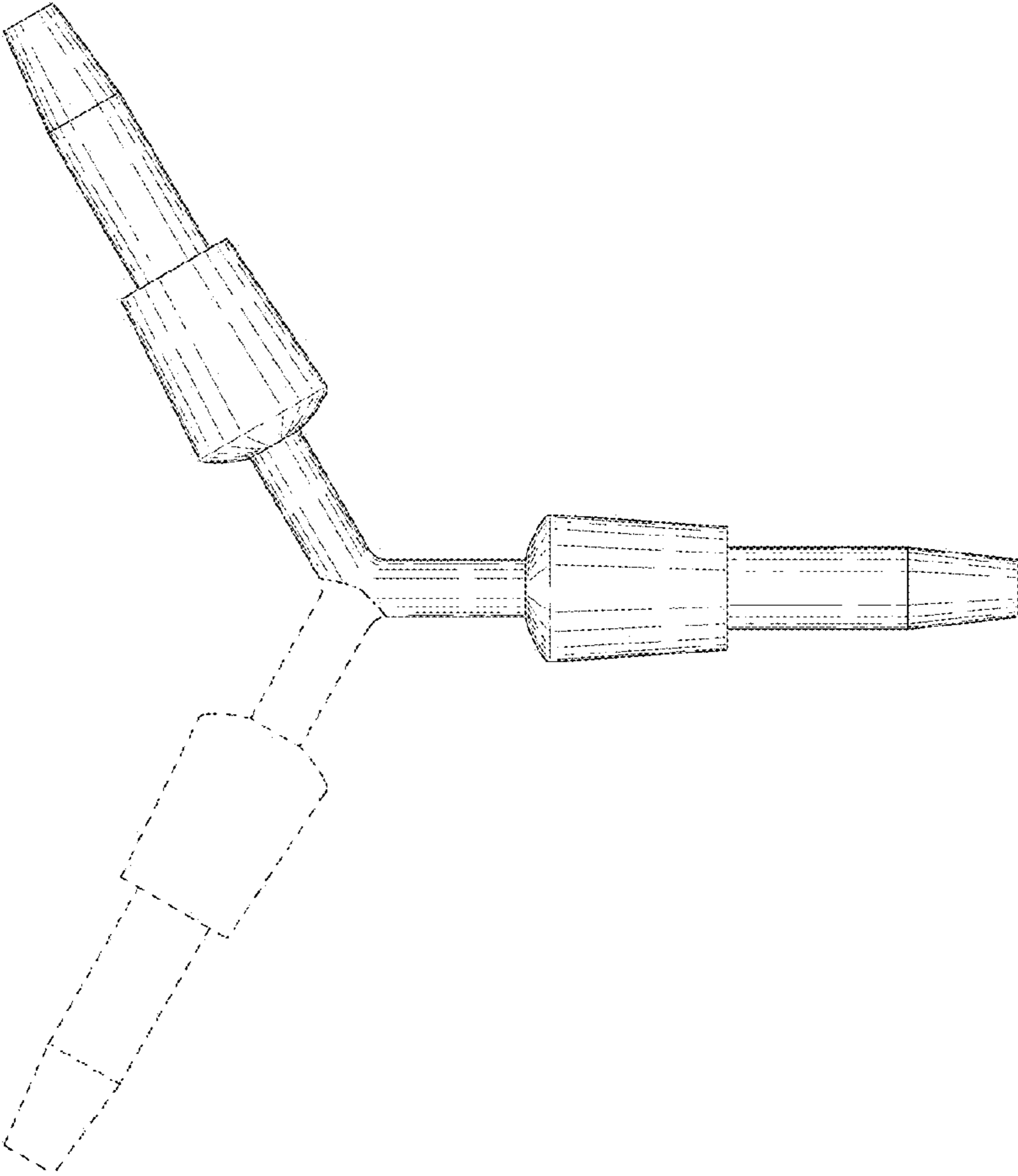


FIG.2

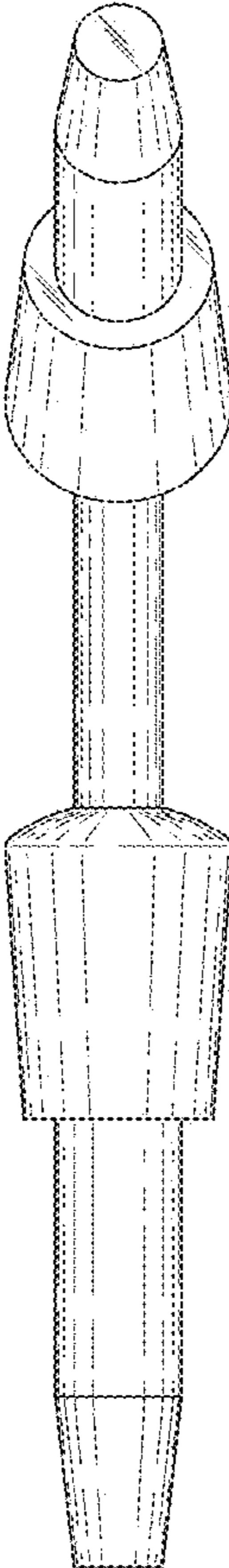


FIG.3

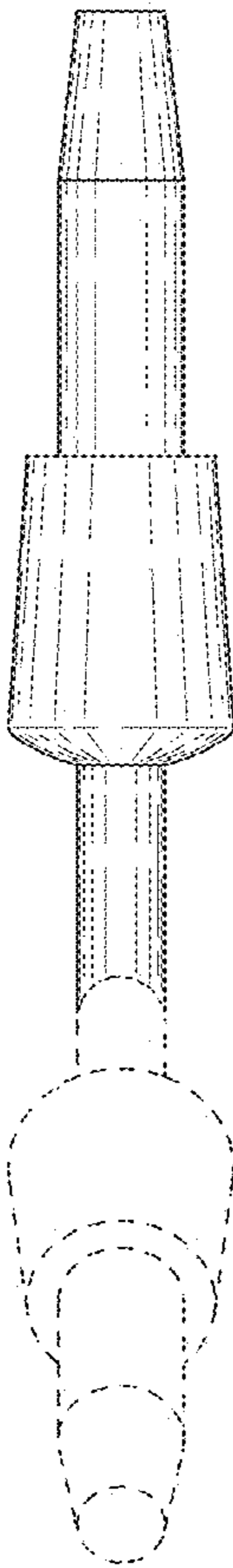


FIG.4

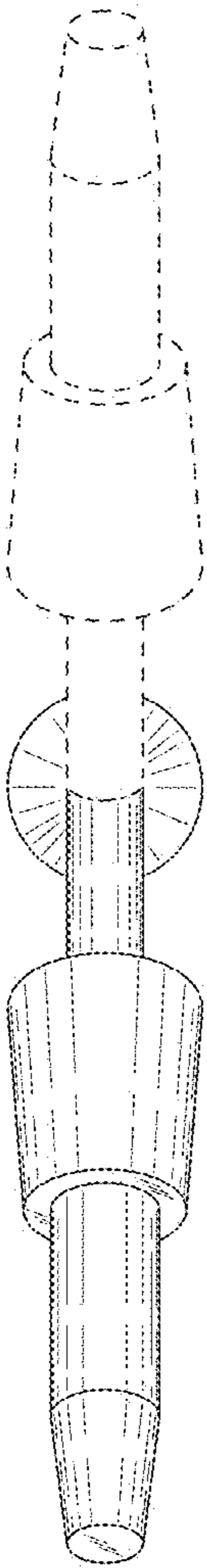


FIG.5

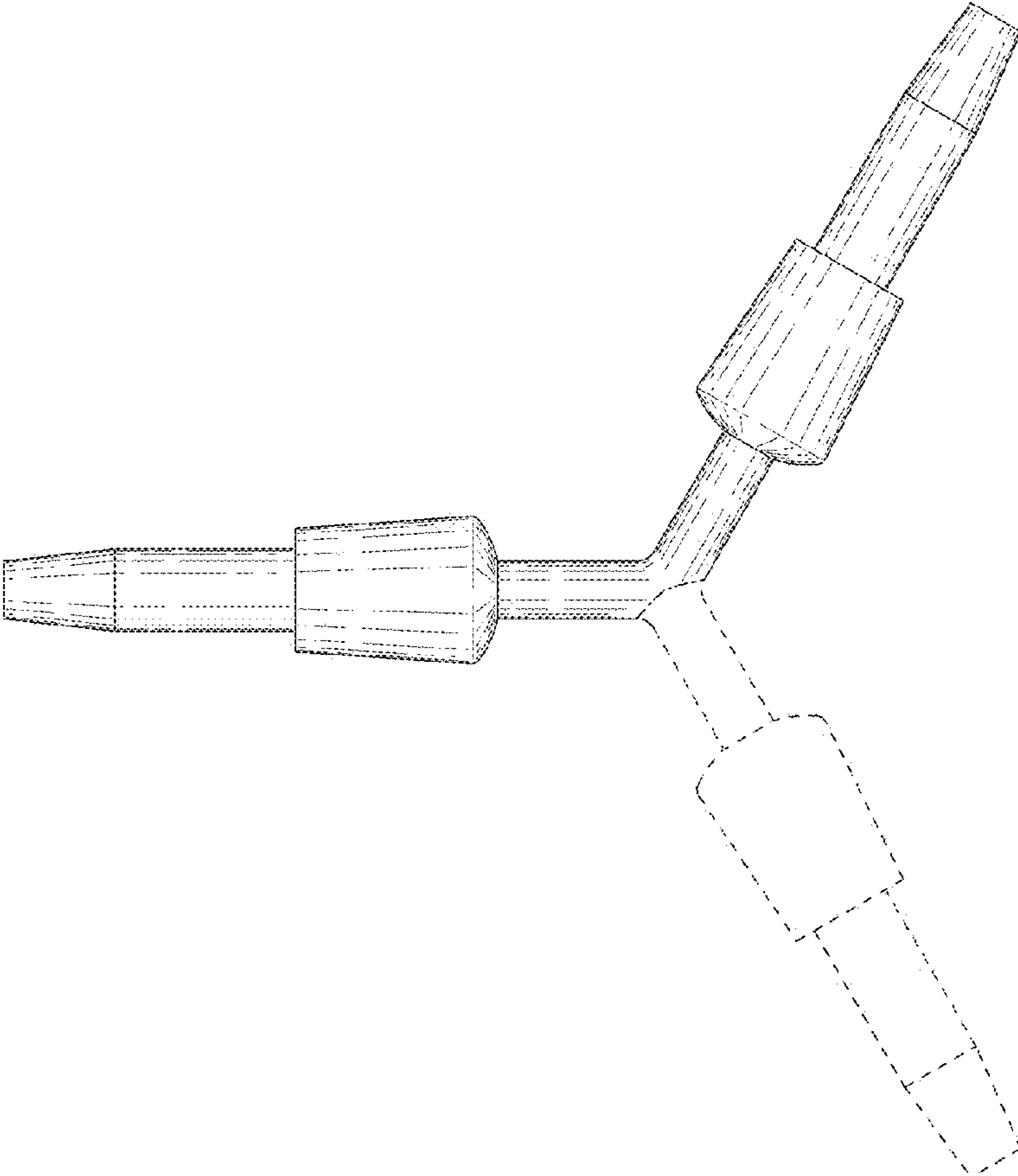


FIG.6

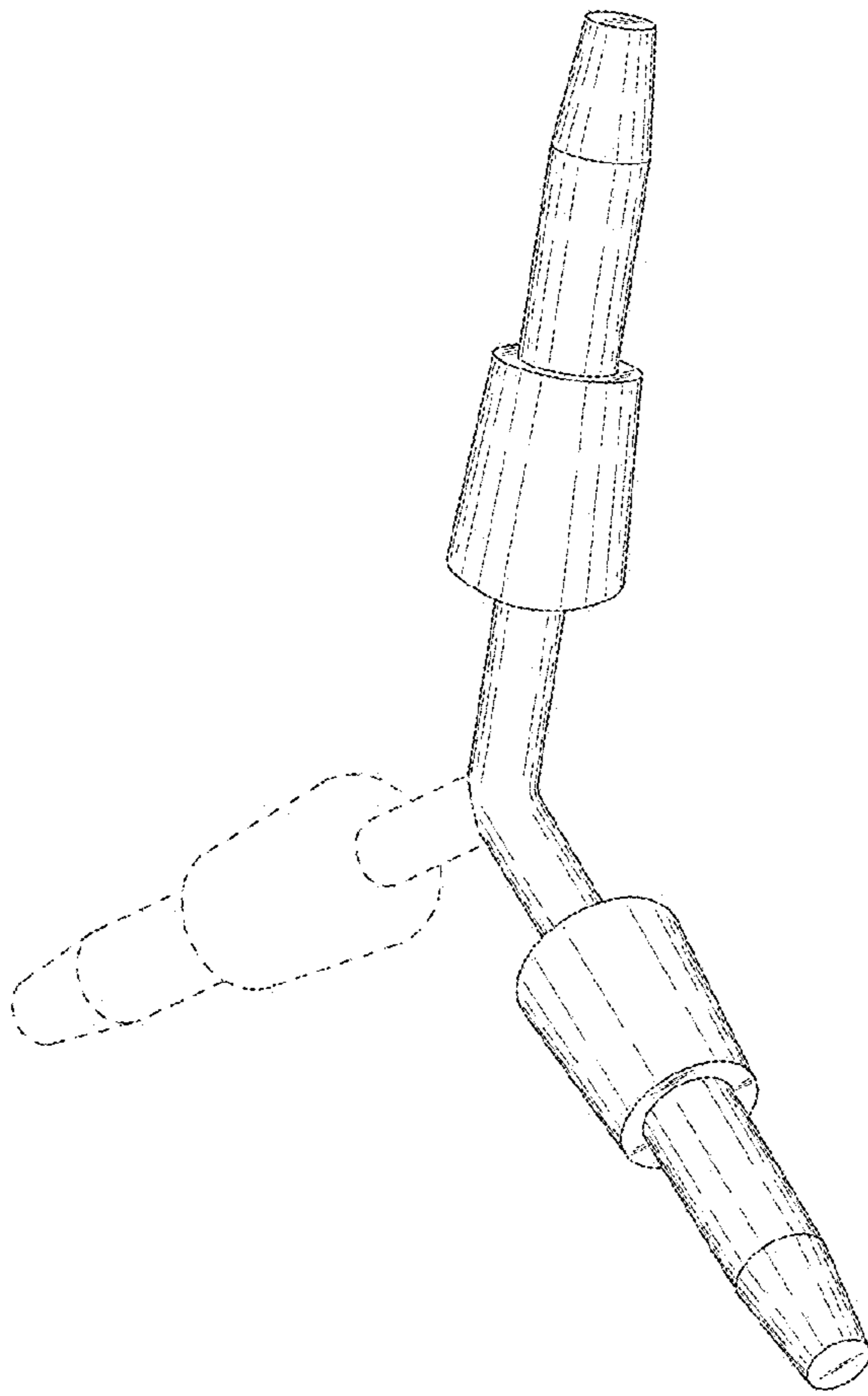


FIG.7

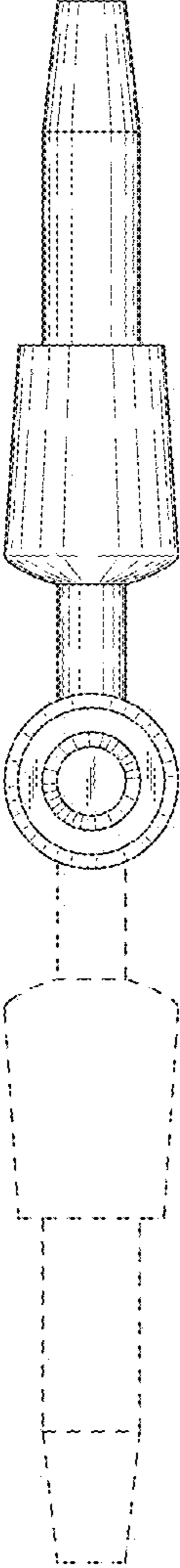


FIG. 8

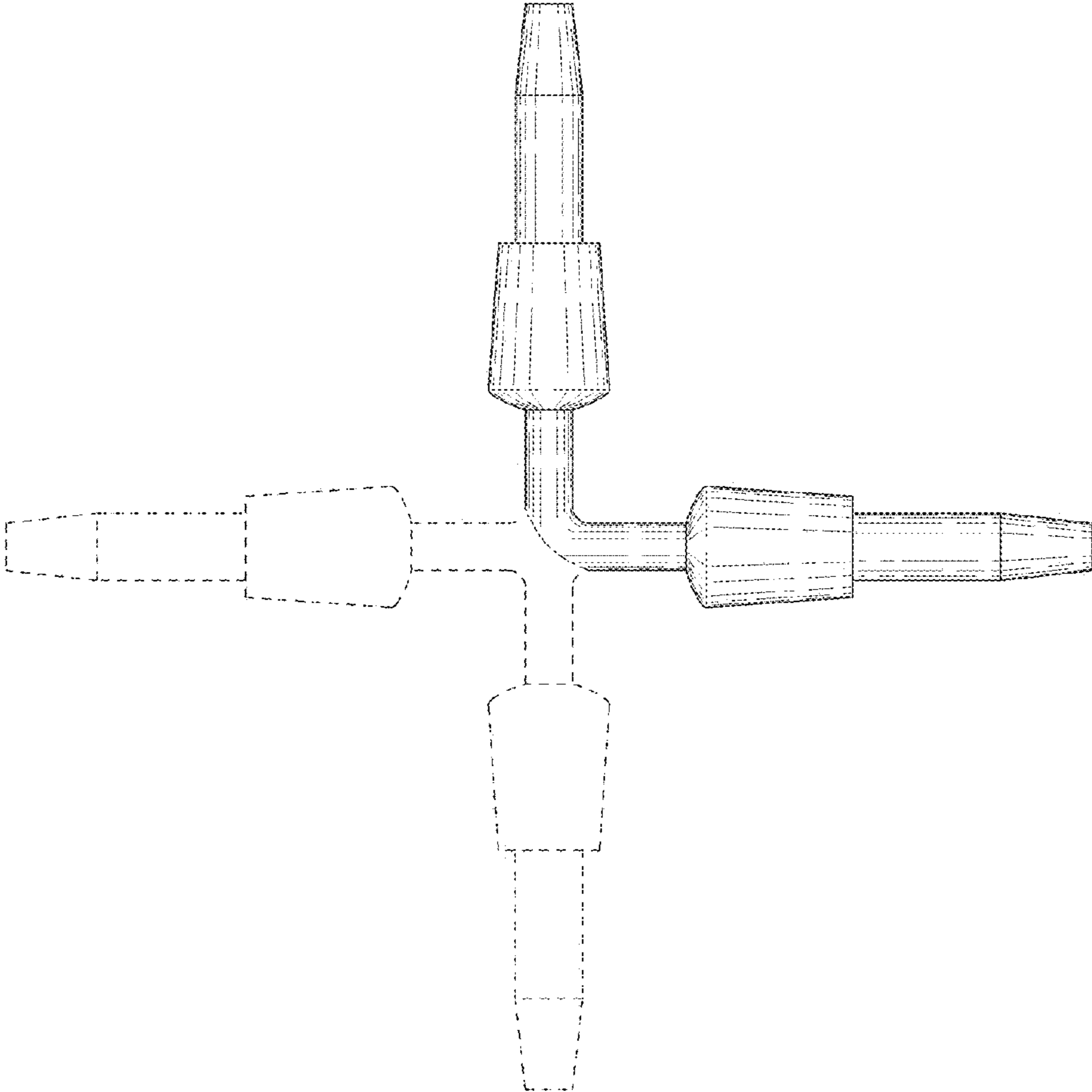


FIG.9

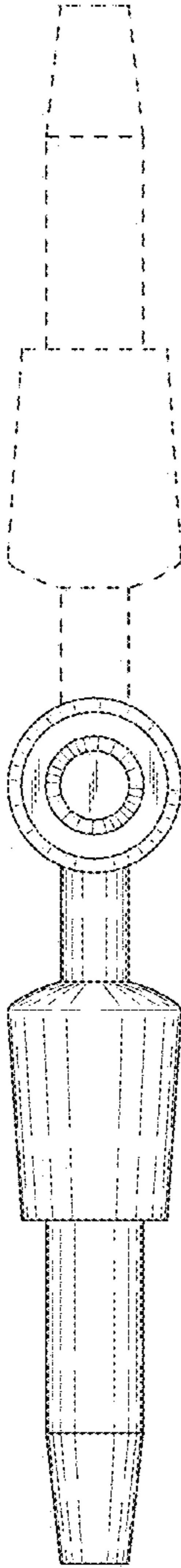


FIG.10

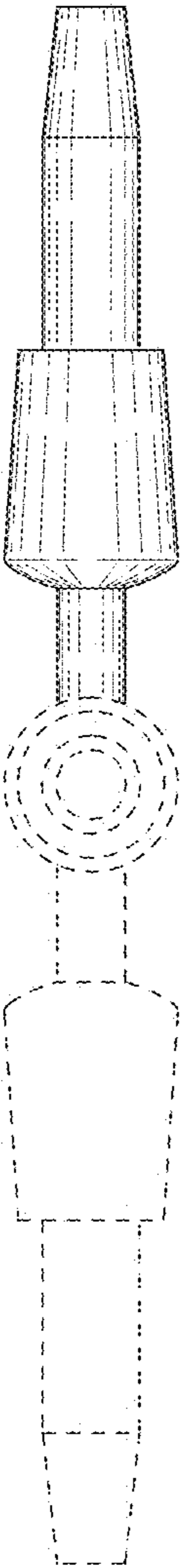


FIG.11

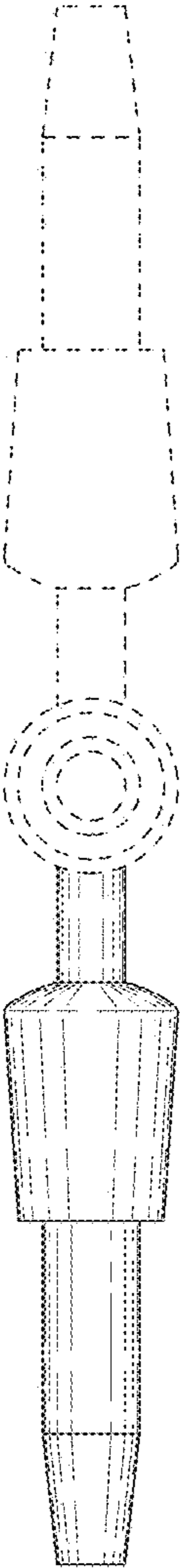


FIG.12

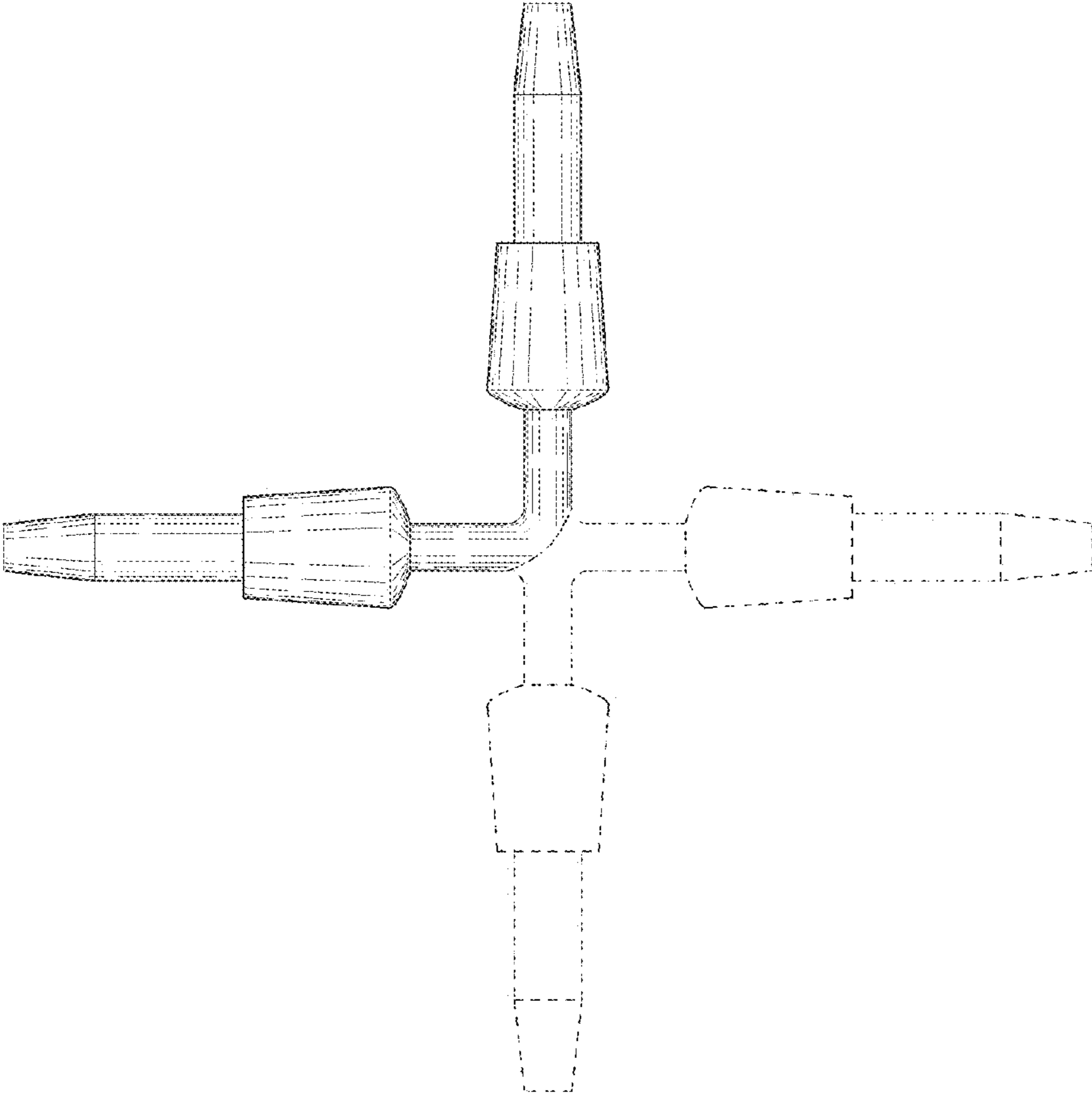


FIG.13

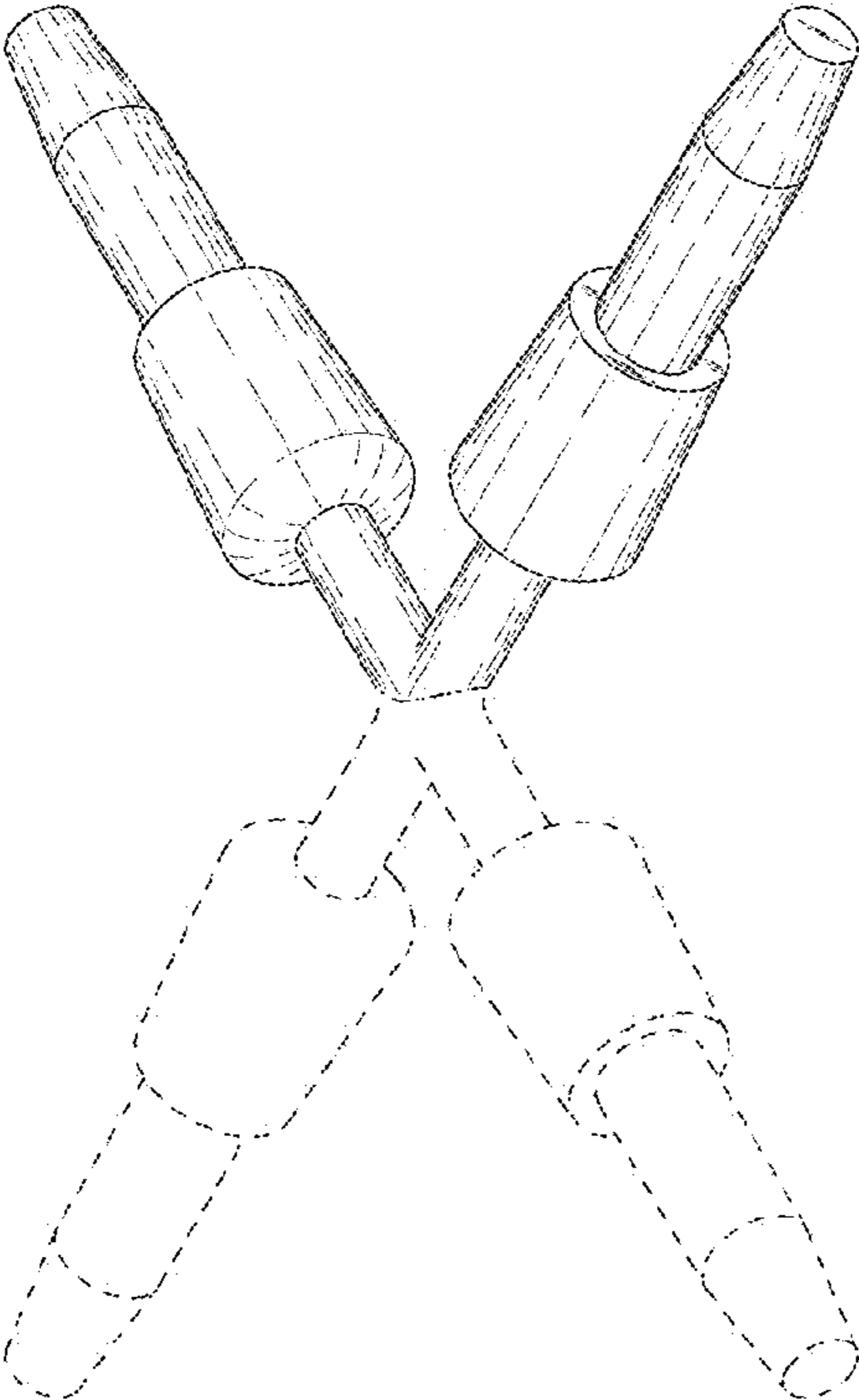


FIG.14